



US00D408991S

United States Patent [19]

Perez

[11] Patent Number: Des. 408,991

[45] Date of Patent: ** May 4, 1999

[54] BOTTLE HANDLE

5,361,950 11/1994 Signal et al. 248/311.2 X

[76] Inventor: Francisco Perez, 4916 W. 137th Pl., Hawthorne, Calif. 90250

Primary Examiner—Louis S. Zarfaz
Assistant Examiner—Catherine R. Oliver
Attorney, Agent, or Firm—Goldstein & Canino

[**] Term: 14 Years

[57] CLAIM

[21] Appl. No.: 29/083,783

The ornamental design for a bottle handle, as shown and described.

[22] Filed: Feb. 17, 1998

DESCRIPTION

[51] LOC (6) Cl. 03-01

[52] U.S. Cl. D3/229

[58] Field of Search D3/215, 224, 229;
D7/619, 620, 622; 224/151, 148.1, 148.2-148.6,
901; 248/311.2, 313, 207

FIG. 1 is a perspective view of the bottle holder showing my new design, the broken line showing of environment being for illustrative purposes only and forming no part of the claimed design;

FIG. 2 is a front elevational view thereof.

FIG. 3 is a rear elevational view thereof.

FIG. 4 is a right side elevational view thereof.

FIG. 5 is a left side elevational view thereof.

FIG. 6 is a top plan view of the bottle holder; and,

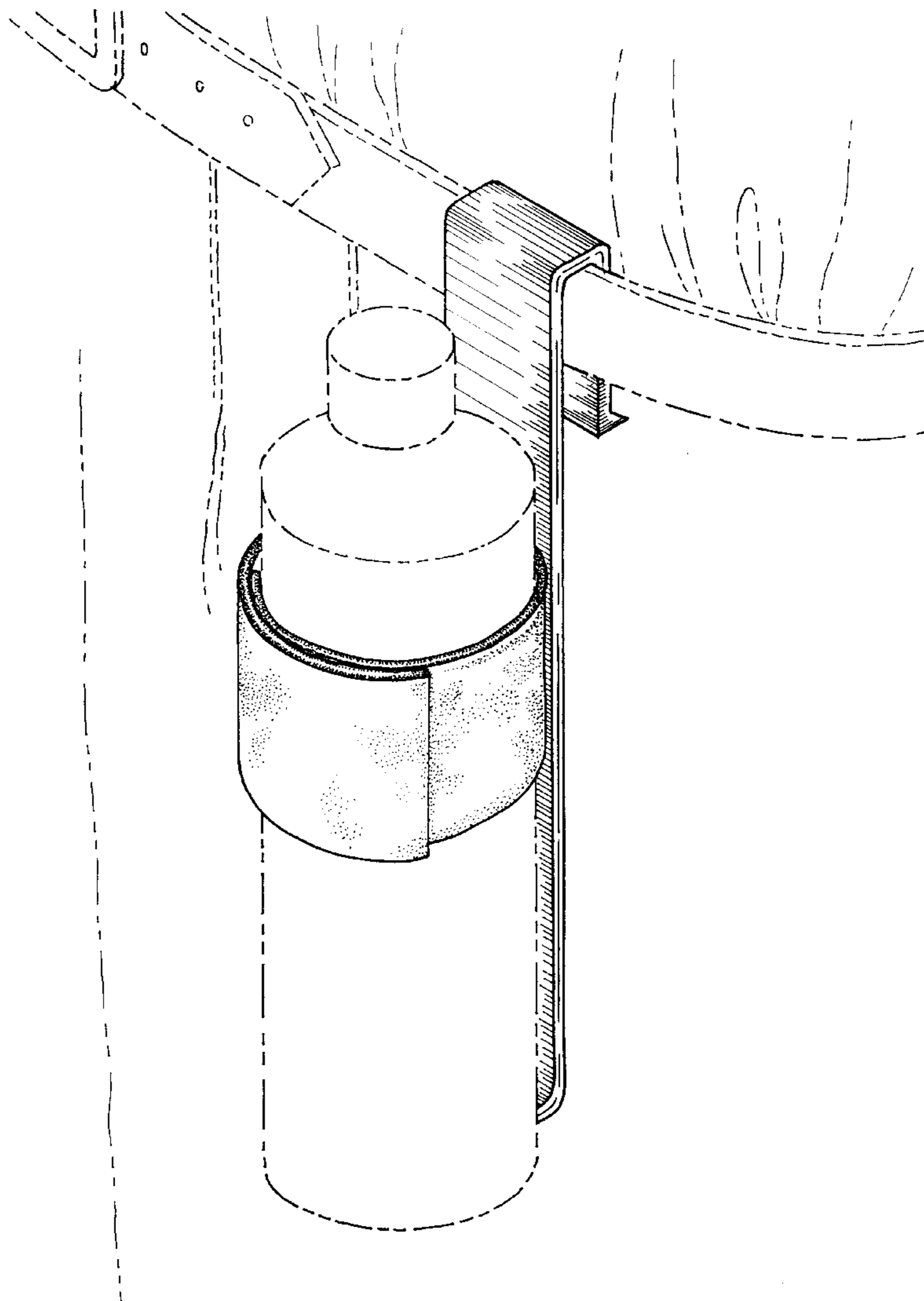
FIG. 7 is a bottom plan view thereof.

[56] References Cited

U.S. PATENT DOCUMENTS

D. 162,959	4/1951	Janes et al.	D7/620
D. 299,804	2/1989	Normandin	D7/620
D. 353,045	12/1994	Chandler	D3/229
4,915,337	4/1990	Iwasaki	248/311.2
4,951,910	8/1990	March	248/311.2

1 Claim, 3 Drawing Sheets



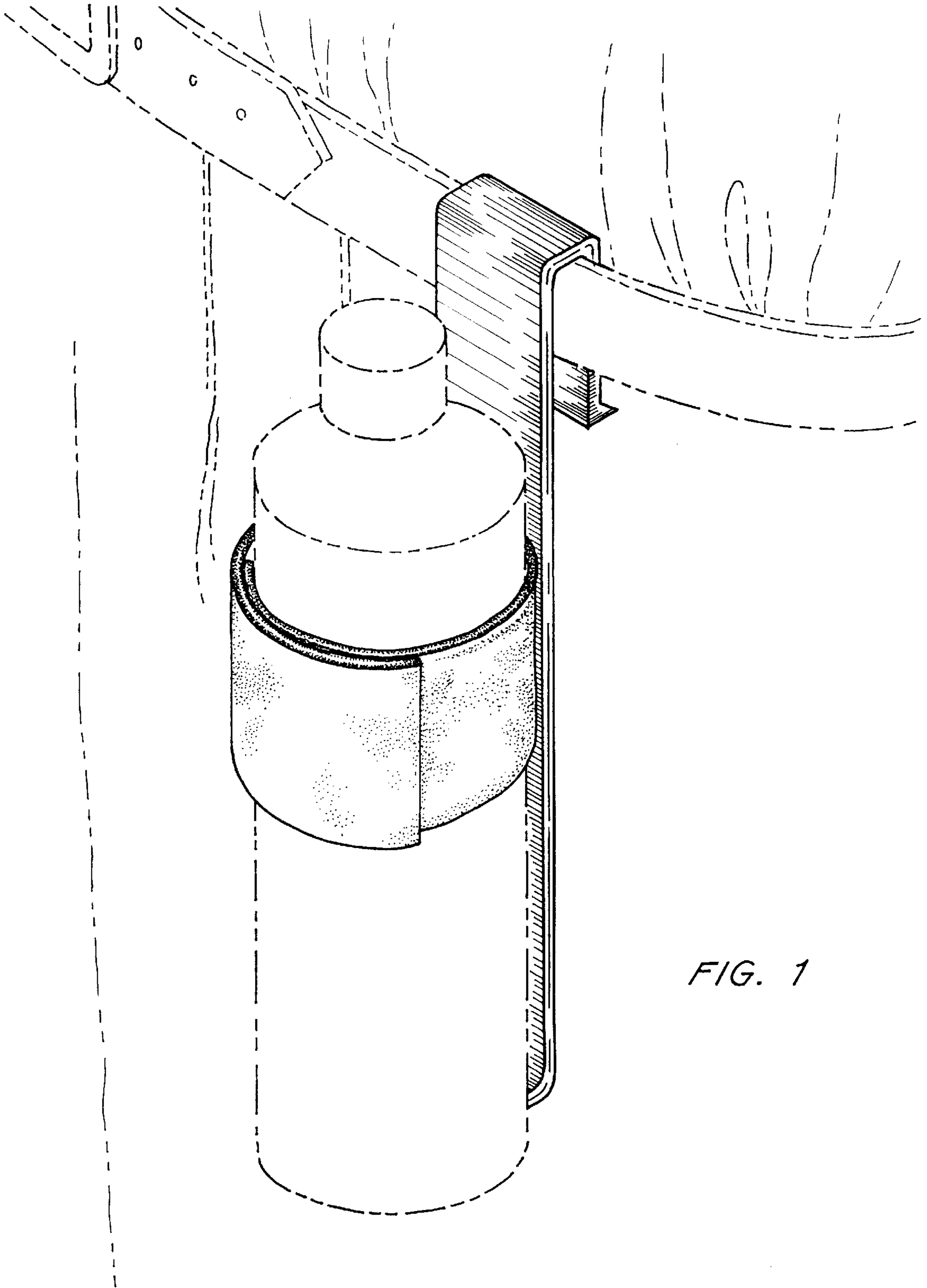


FIG. 1

FIG. 3

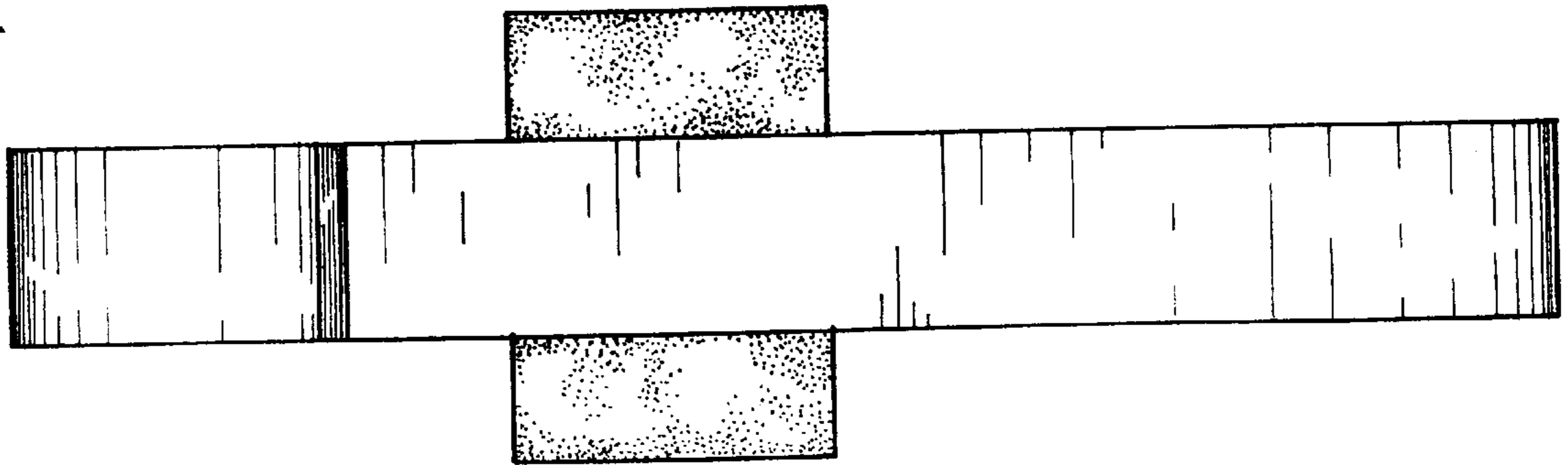


FIG. 2

