



US00D408989S

# United States Patent [19]

Miller et al.

[11] **Patent Number: Des. 408,989**

[45] **Date of Patent: \*\* May 4, 1999**

[54] **HIP PACK**

[75] Inventors: **D. Scott Miller**, Orlando, Fla.; **James D. Orr**, Columbus; **Michael A. Lorenz**, Gahanna, both of Ohio

[73] Assignee: **Dart Industries Inc.**, Orlando, Fla.

[\*\*] Term: **14 Years**

[21] Appl. No.: **29/081,372**

[22] Filed: **Dec. 31, 1997**

[51] **LOC (6) Cl.** ..... **03-01**

[52] **U.S. Cl.** ..... **D3/226**

[58] **Field of Search** ..... D3/226, 215, 221, D3/224, 228, 265, 230; 224/236, 240, 245, 250; 206/811

[56] **References Cited**

**U.S. PATENT DOCUMENTS**

- D. 199,246 9/1964 Giordano ..... D3/230
- D. 244,320 5/1977 Cohen ..... D3/265

- D. 296,388 6/1988 Williams ..... D3/221
- D. 382,708 8/1997 Canning ..... D3/265
- 5,261,582 11/1993 Mathews et al. .... 224/240

*Primary Examiner*—Louis S. Zarfaz  
*Assistant Examiner*—Catherine R. Oliver  
*Attorney, Agent, or Firm*—John A. Doninger; Taylor J. Ross

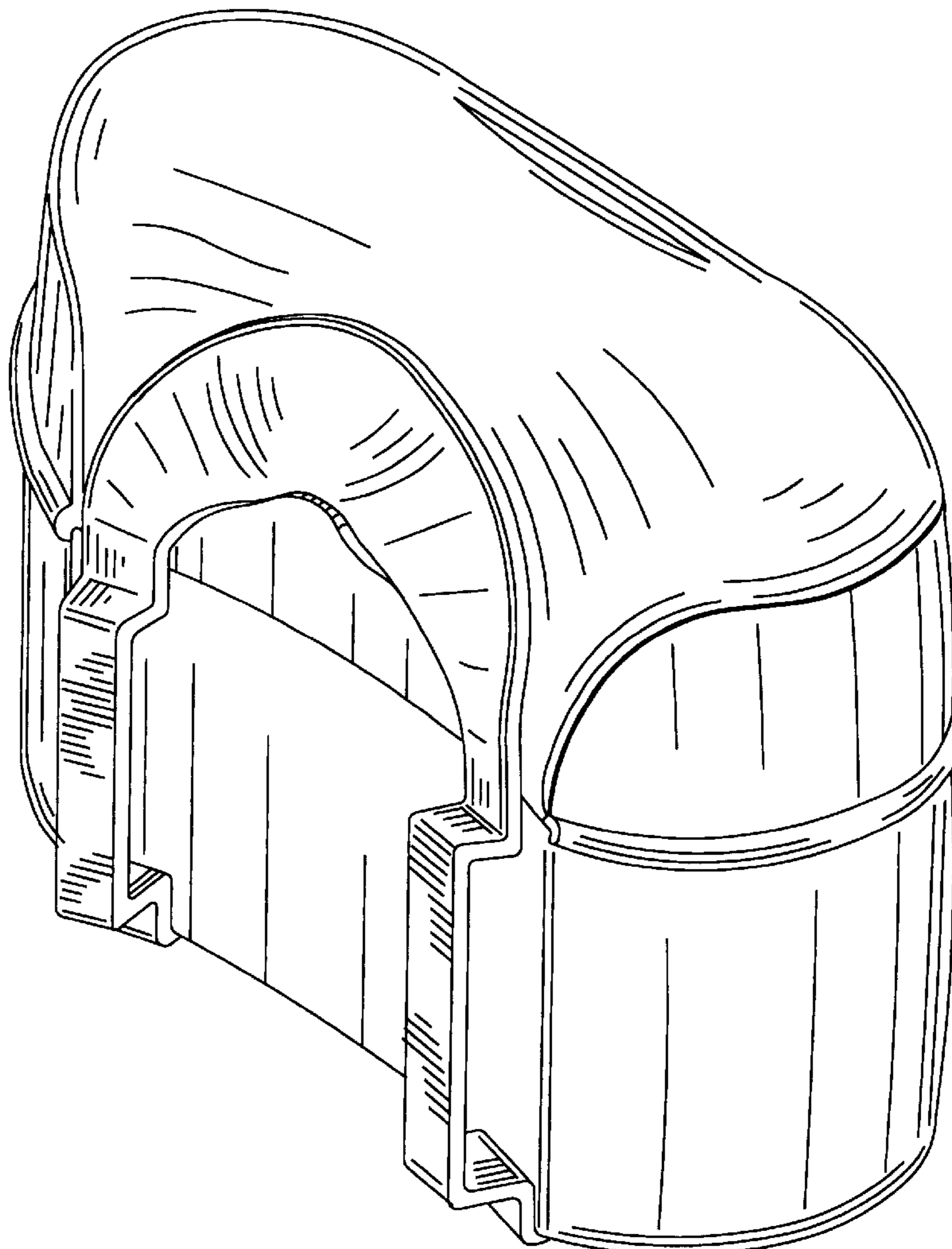
[57] **CLAIM**

The ornamental design for a hip pack, as shown and described.

**DESCRIPTION**

FIG. 1 is a rear, top and right side perspective view of a hip pack showing my new design;  
FIG. 2 is a rear elevation view thereof;  
FIG. 3 is a top plan view thereof;  
FIG. 4 is a bottom plan view thereof;  
FIG. 5 is a left side elevation view thereof, the right side being a mirror image thereof;  
FIG. 6 is a front elevation view thereof; and,  
FIG. 7 is an exploded perspective view.

**1 Claim, 4 Drawing Sheets**



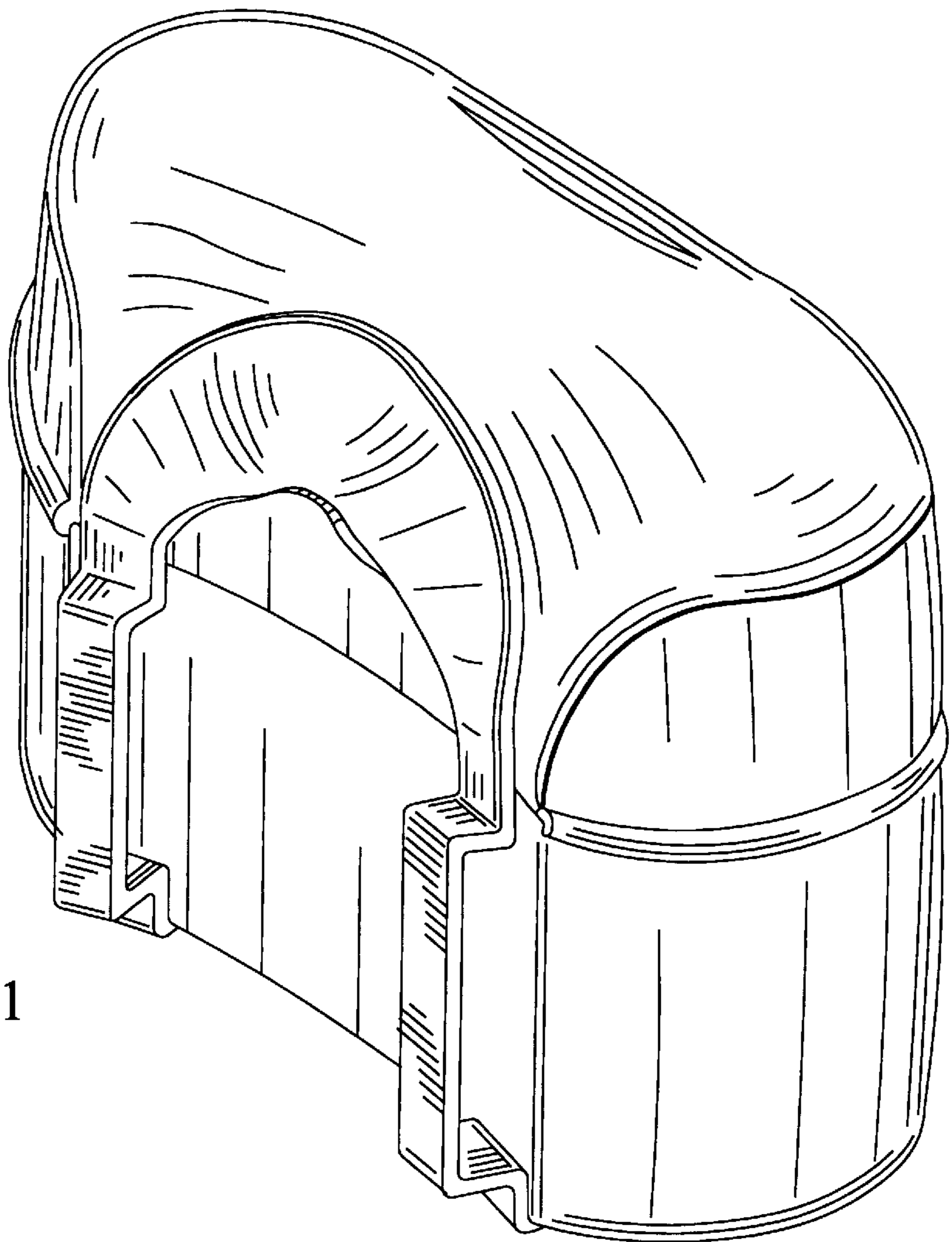
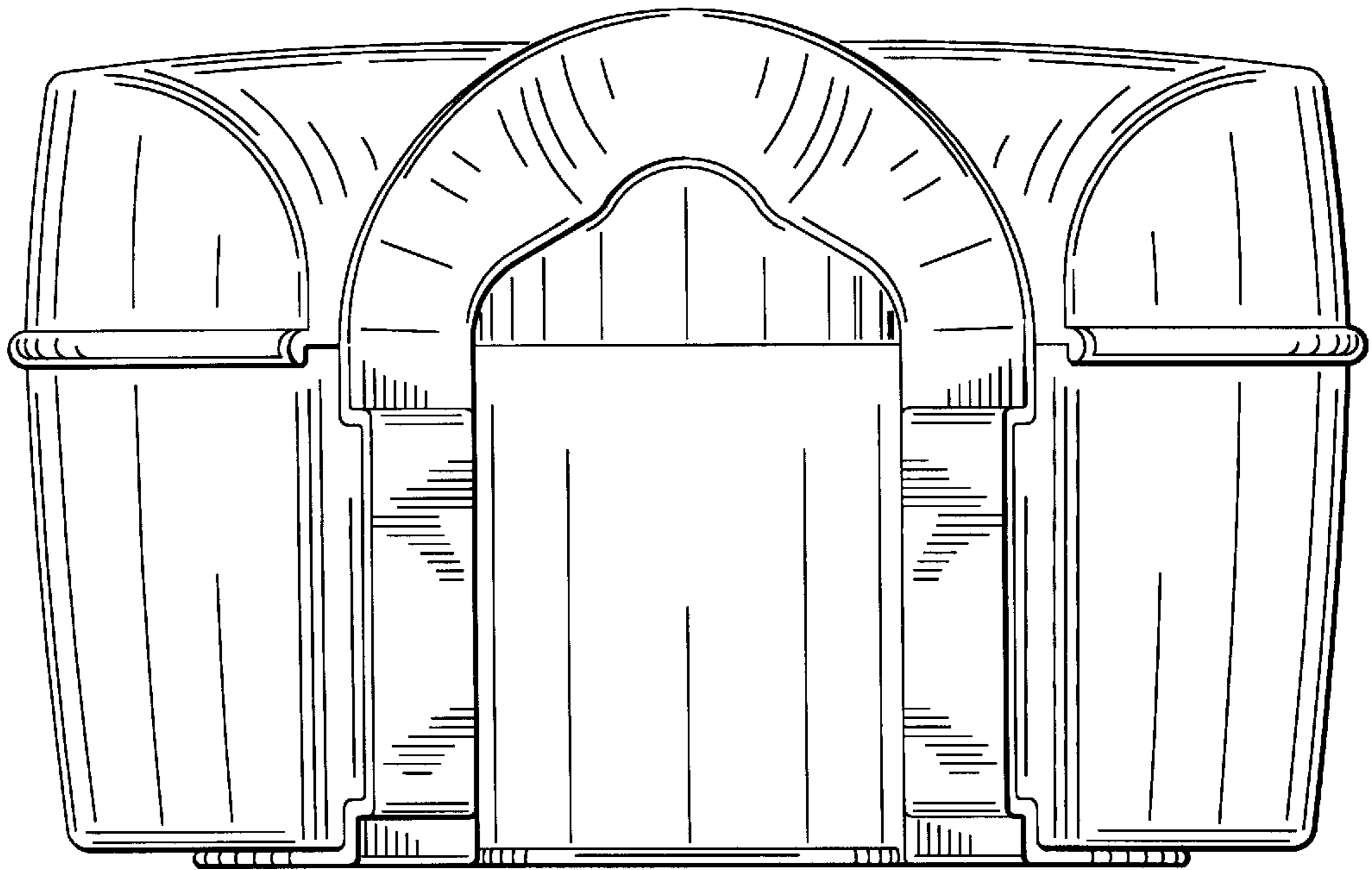


Fig. 1

Fig. 2



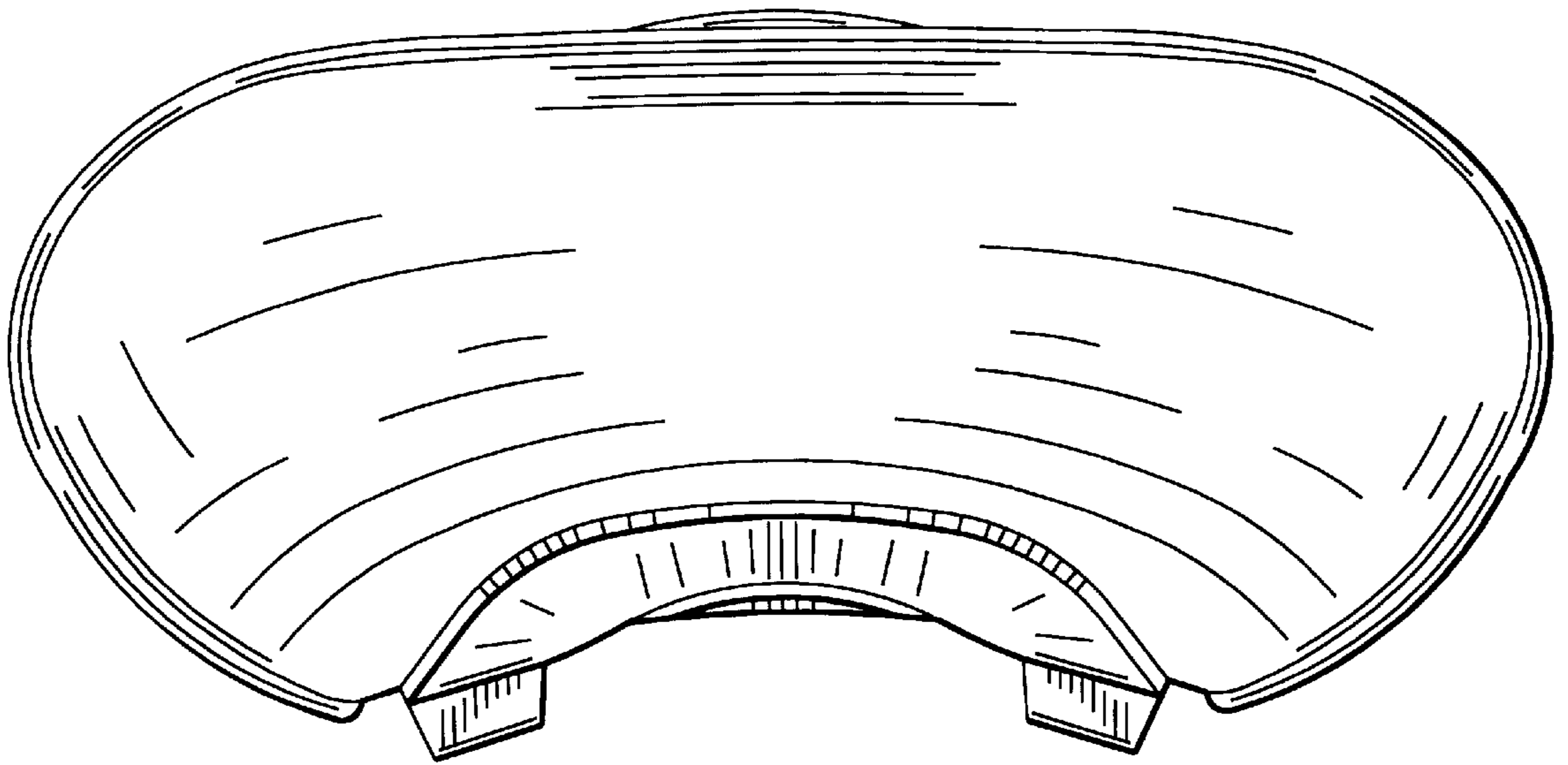


Fig. 3

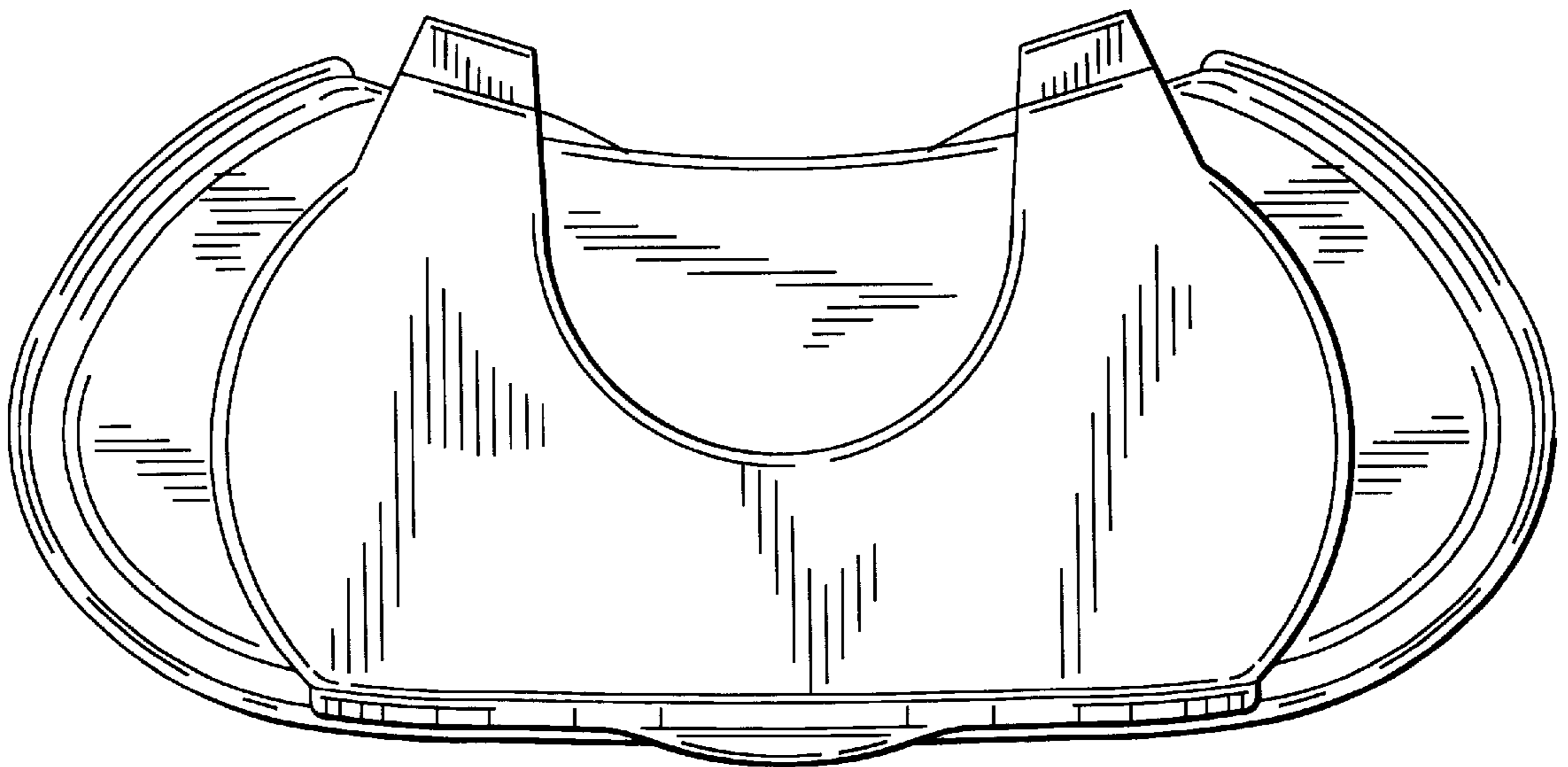


Fig. 4

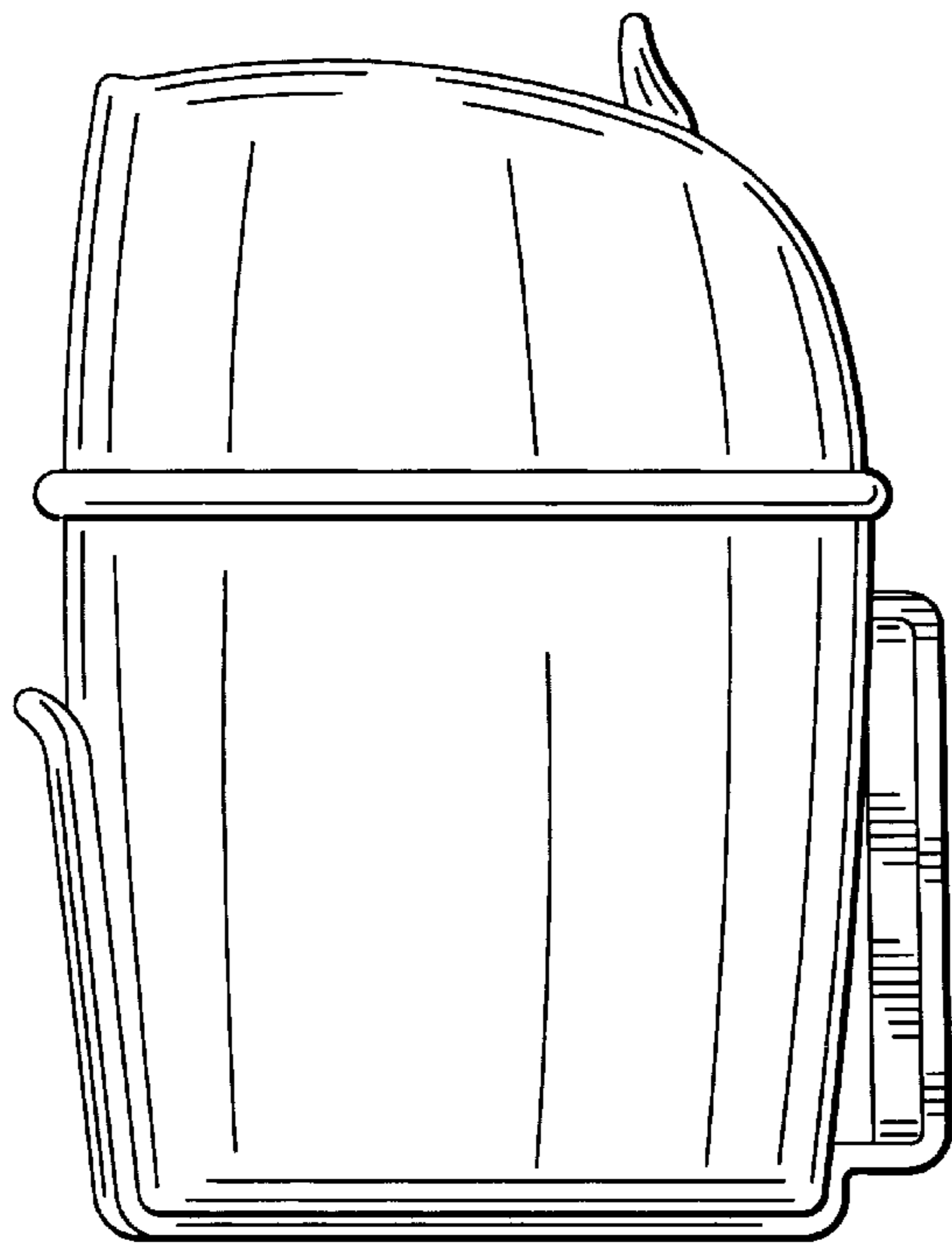


Fig. 5

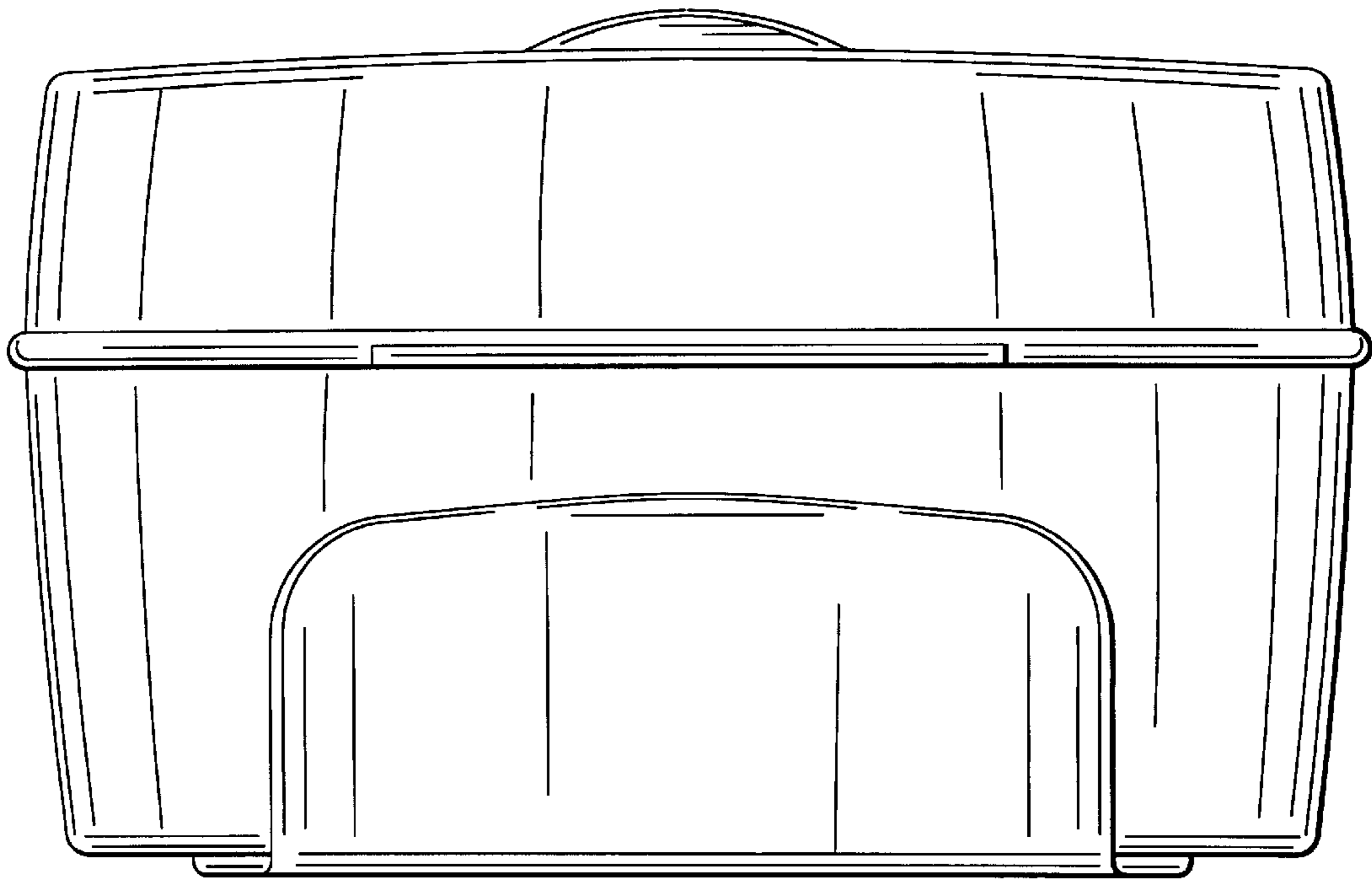


Fig. 6

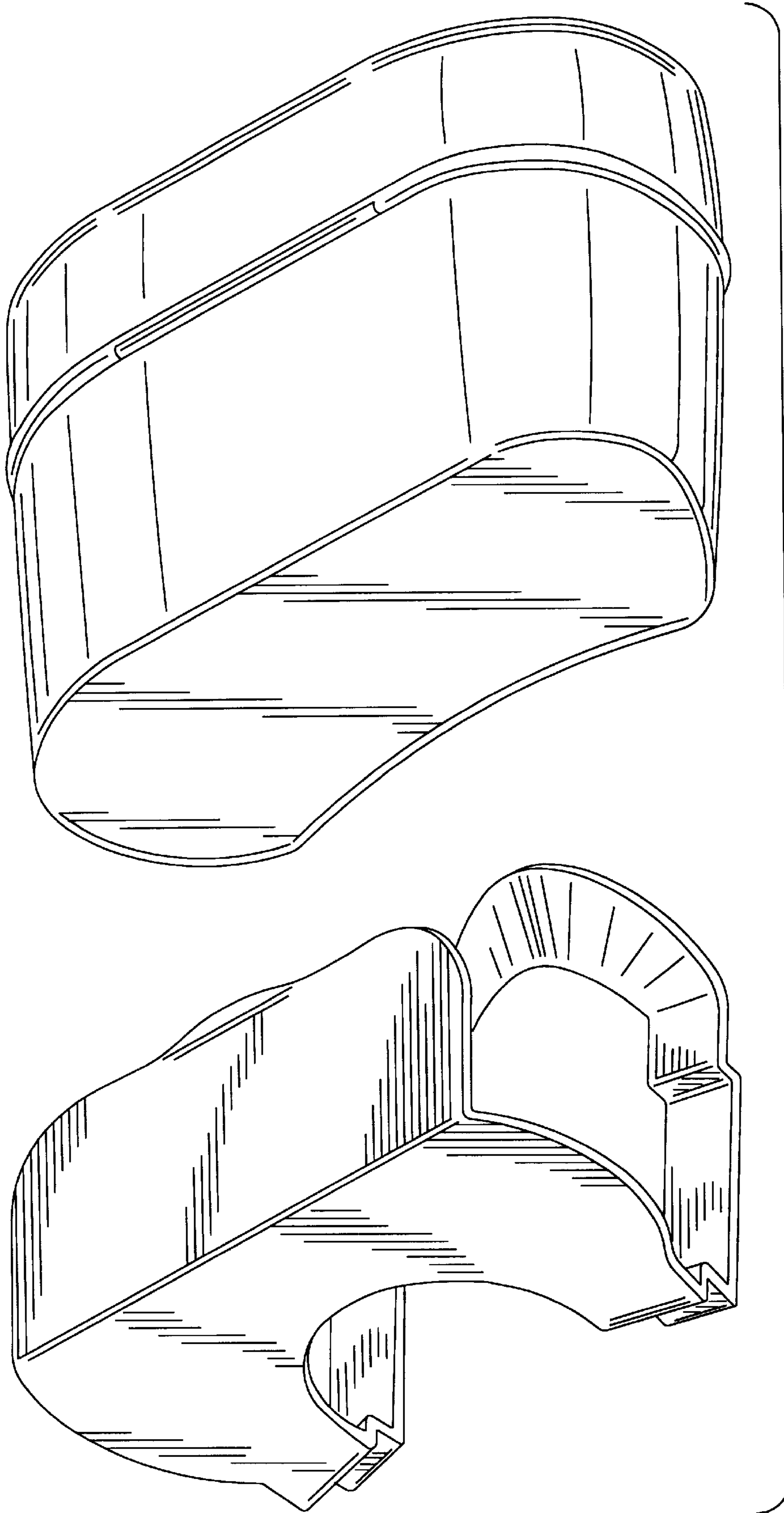


Fig. 7