



US00D408987S

**United States Patent** [19]  
**Balash**

[11] **Patent Number: Des. 408,987**

[45] **Date of Patent: \*\* May 4, 1999**

[54] **TOILETRY PACKAGE**

[76] Inventor: **Elwood F. Balash**, 1526 Leonard Rd.,  
Louisburg, N.C. 27549

[\*\*] Term: **14 Years**

[21] Appl. No.: **29/086,499**

[22] Filed: **Apr. 14, 1998**

[51] **LOC (6) Cl.** ..... **03-01**

[52] **U.S. Cl.** ..... **D3/205; D3/200; D3/901**

[58] **Field of Search** ..... **D3/200, 205, 901;**  
**132/286; 206/581, 827; 220/662, 665, 669;**  
**383/14, 106, 907**

[56] **References Cited**

**U.S. PATENT DOCUMENTS**

D. 304,262	10/1989	Mays	.....	D3/901
390,089	9/1888	McClelland	.....	132/286
1,955,851	4/1934	Heller	.....	220/662
2,751,952	6/1956	Mirus	.....	383/106
3,747,830	7/1973	Goldman	.....	220/662
3,987,932	10/1976	Maldon	.	
4,121,600	10/1978	Riddick et al.	.	
4,697,718	10/1987	Butcher et al.	.....	220/662
5,228,595	7/1993	Booker	.	

5,348,153 9/1994 Cole .  
5,425,591 6/1995 Contreras et al. .  
5,638,840 6/1997 Lee et al. .

*Primary Examiner*—Louis S. Zarfes  
*Assistant Examiner*—Monica A. Weingart  
*Attorney, Agent, or Firm*—Chase & Yakimo, L.C.

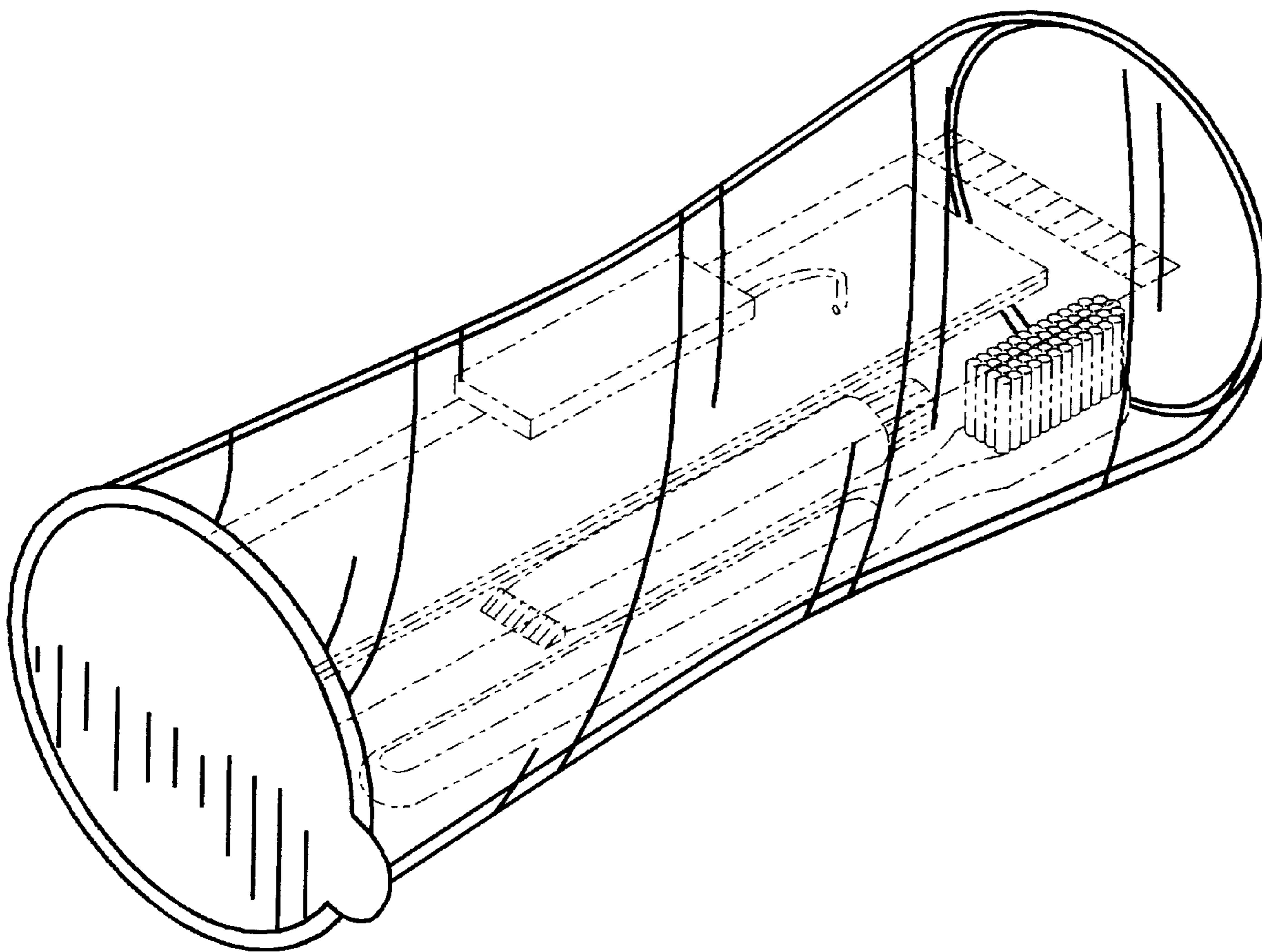
[57] **CLAIM**

The ornamental design for a toiletry package, as shown and described.

**DESCRIPTION**

FIG. 1 is front perspective view of a toiletry package showing my new design;  
FIG. 2 is a front elevational view thereof;  
FIG. 3 is a front elevational view thereof;  
FIG. 4 is a rear elevational view thereof;  
FIG. 5 is a top plan view thereof;  
FIG. 6 is a bottom plan view thereof;  
FIG. 7 is a left side elevational view thereof; and,  
FIG. 8 is a right side elevational view thereof.  
The broken line showing of toiletry articles in FIG. 1 is for illustrative purposes only and forms no part of the claimed design.

**1 Claim, 8 Drawing Sheets**



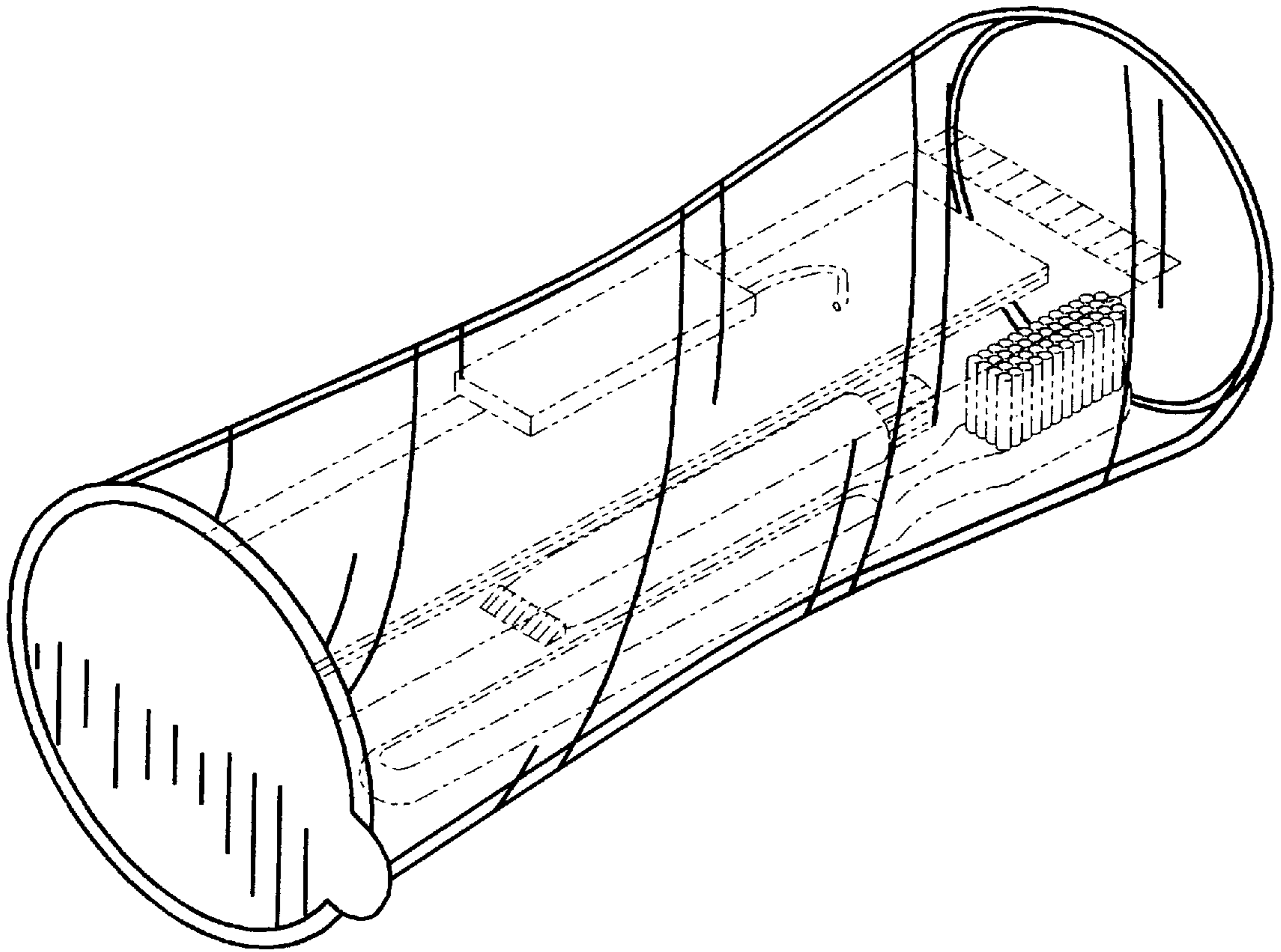


FIG. 1

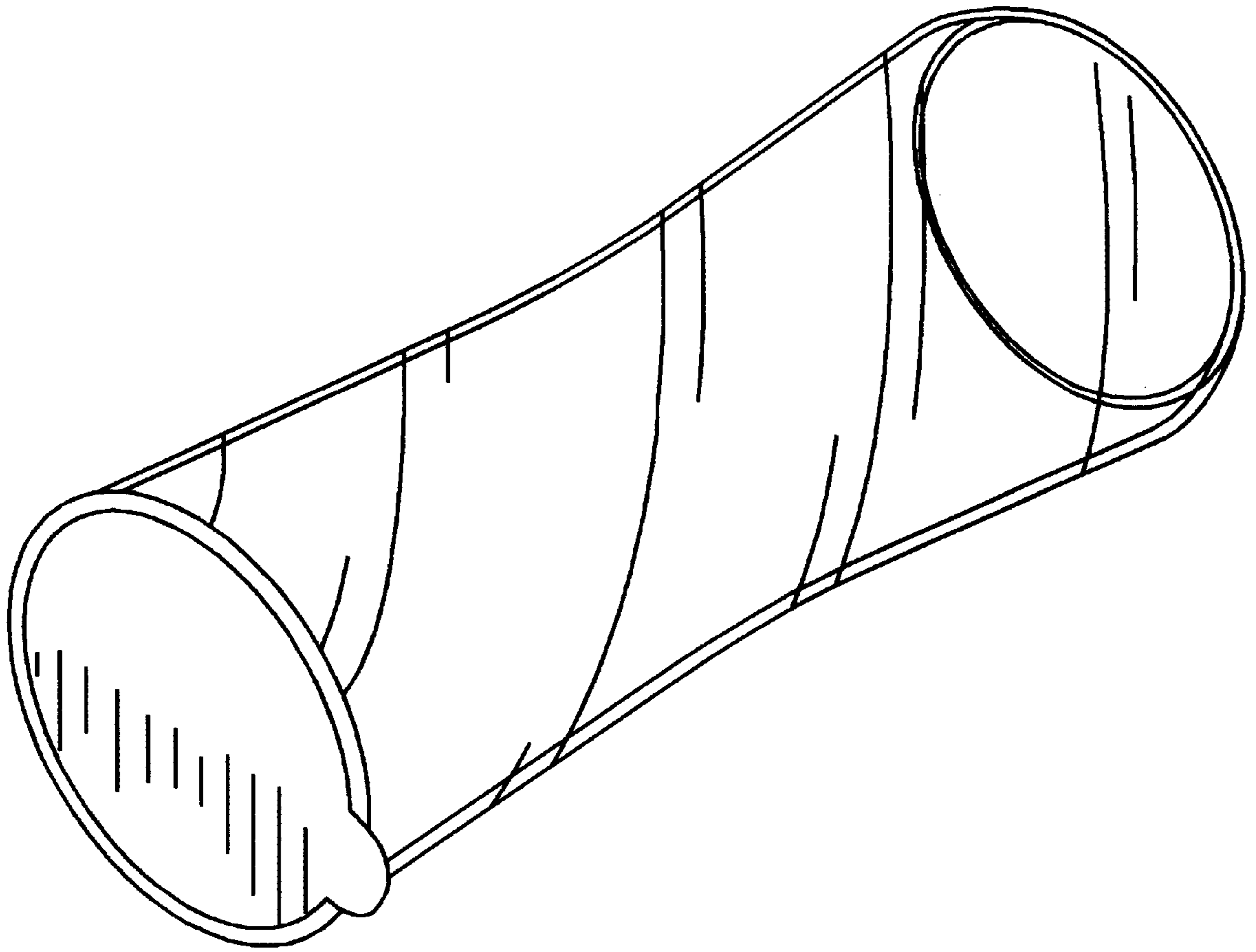


FIG. 2

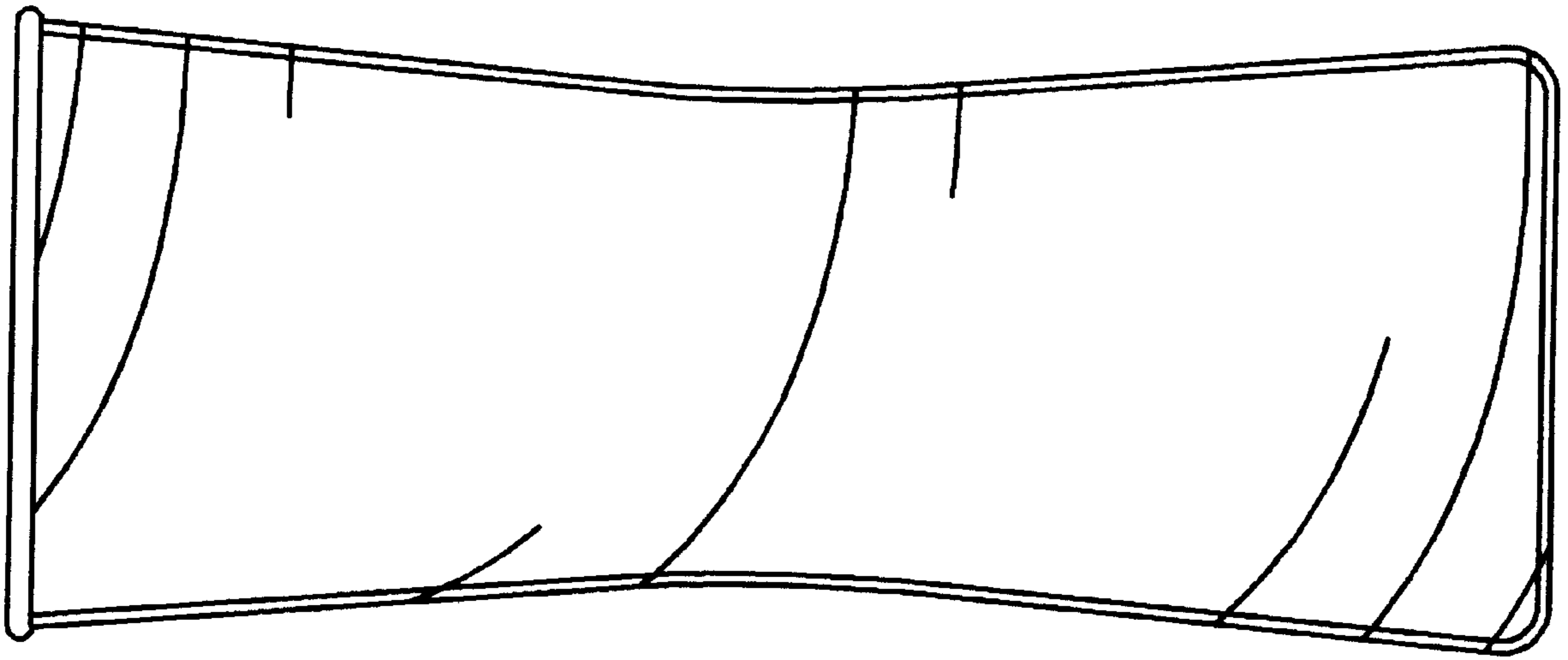


FIG. 3

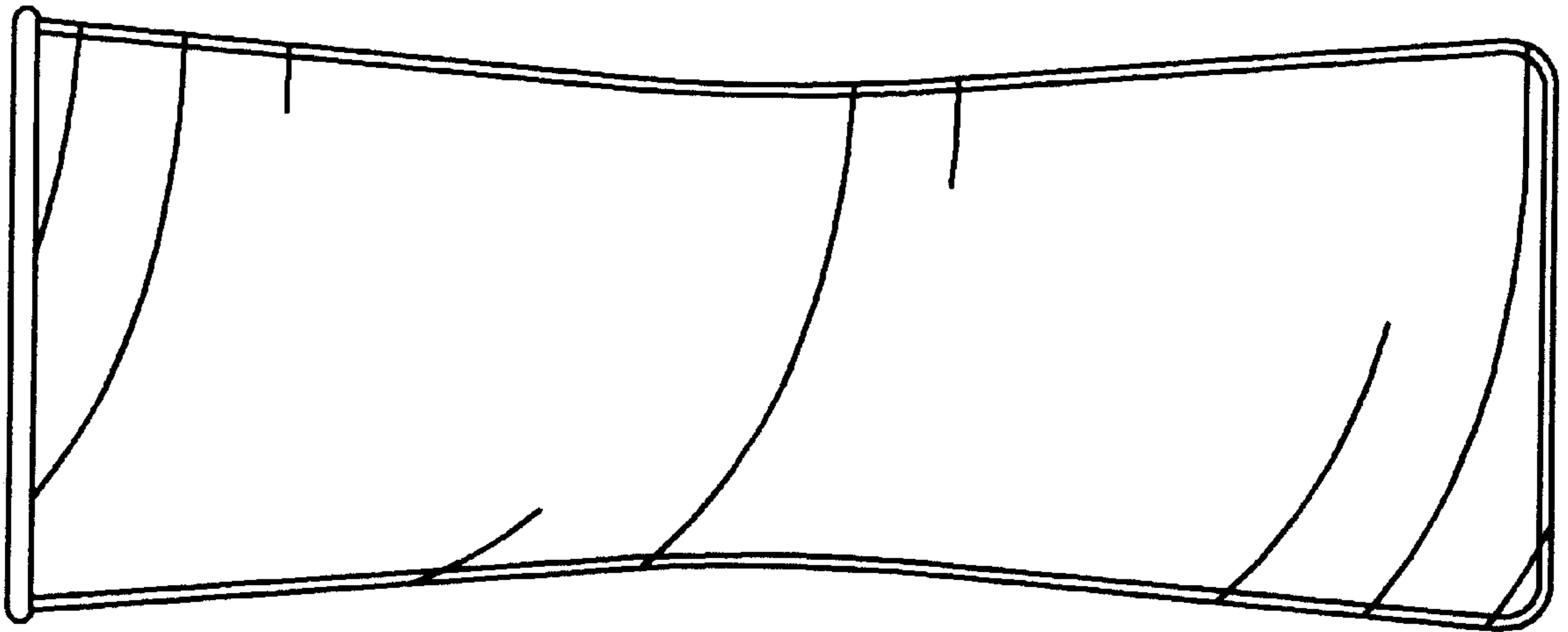


FIG. 4

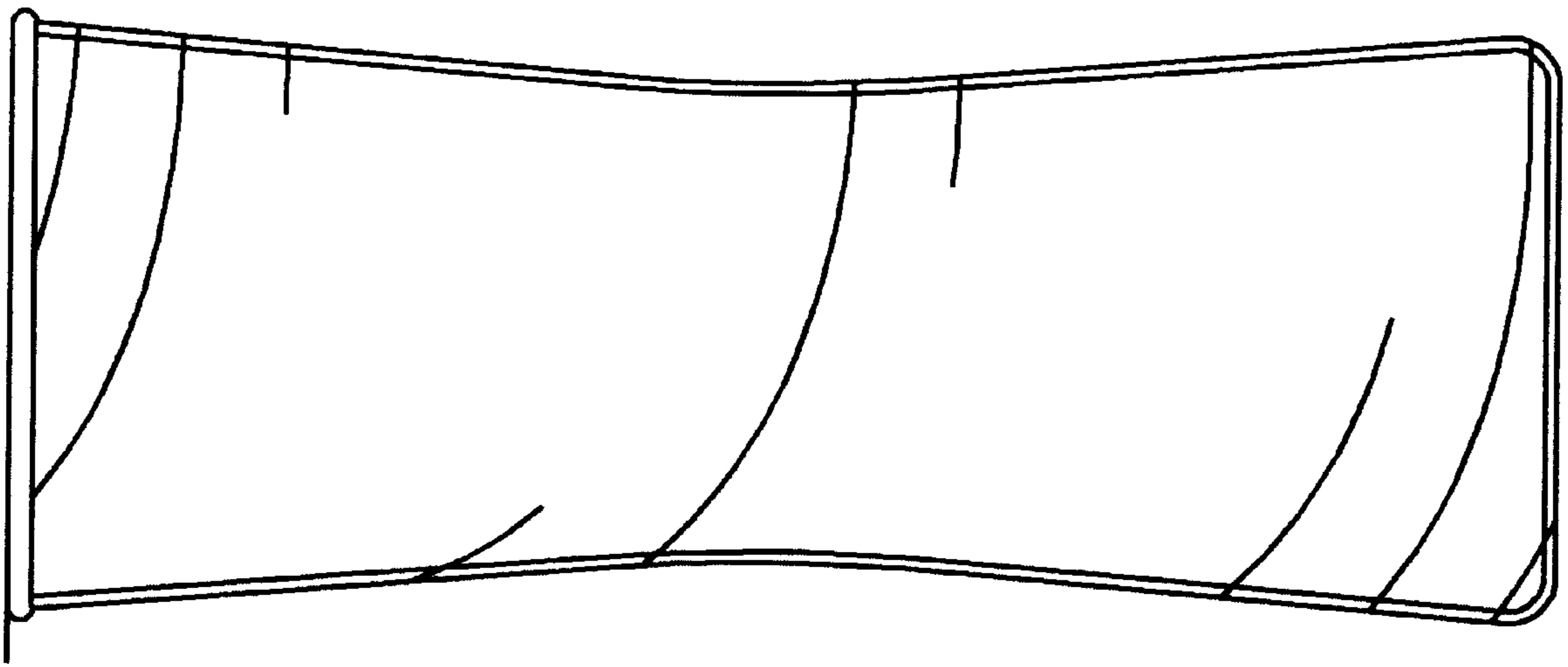


FIG. 5

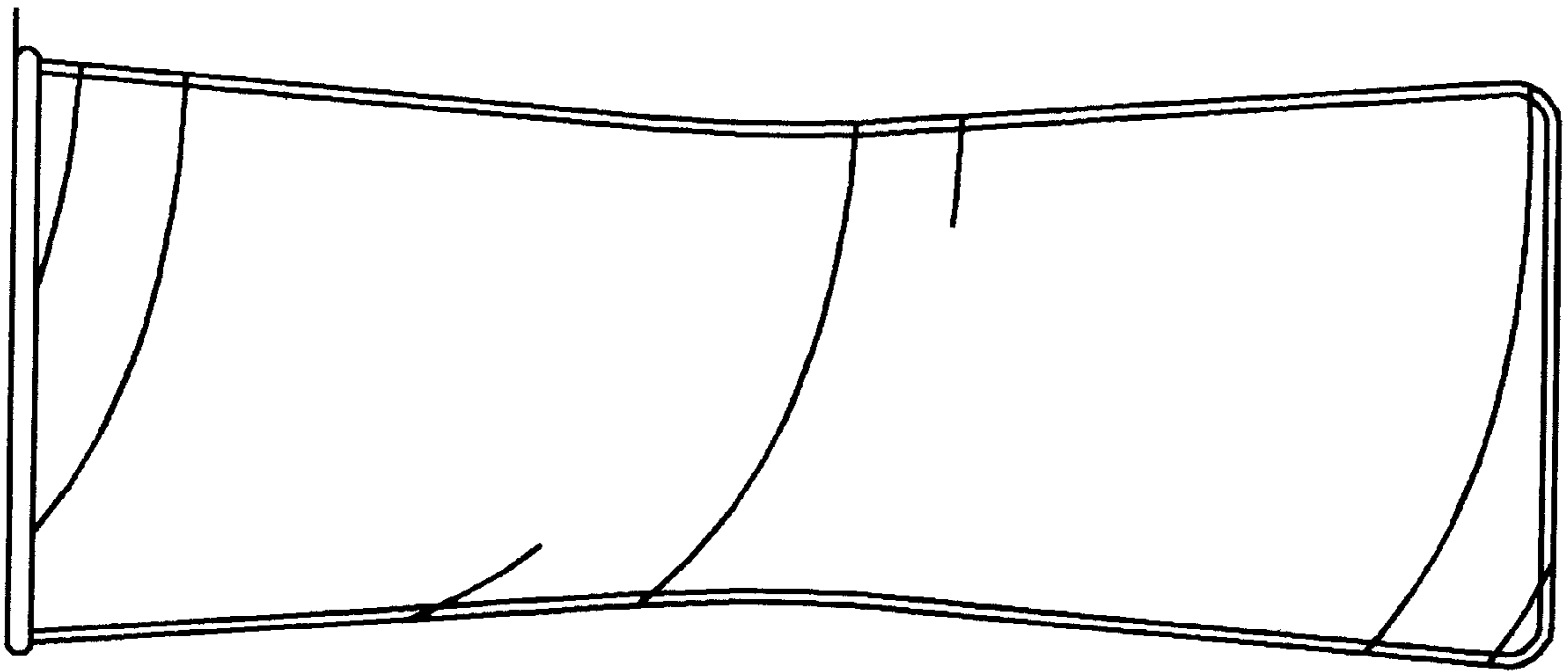


FIG. 6

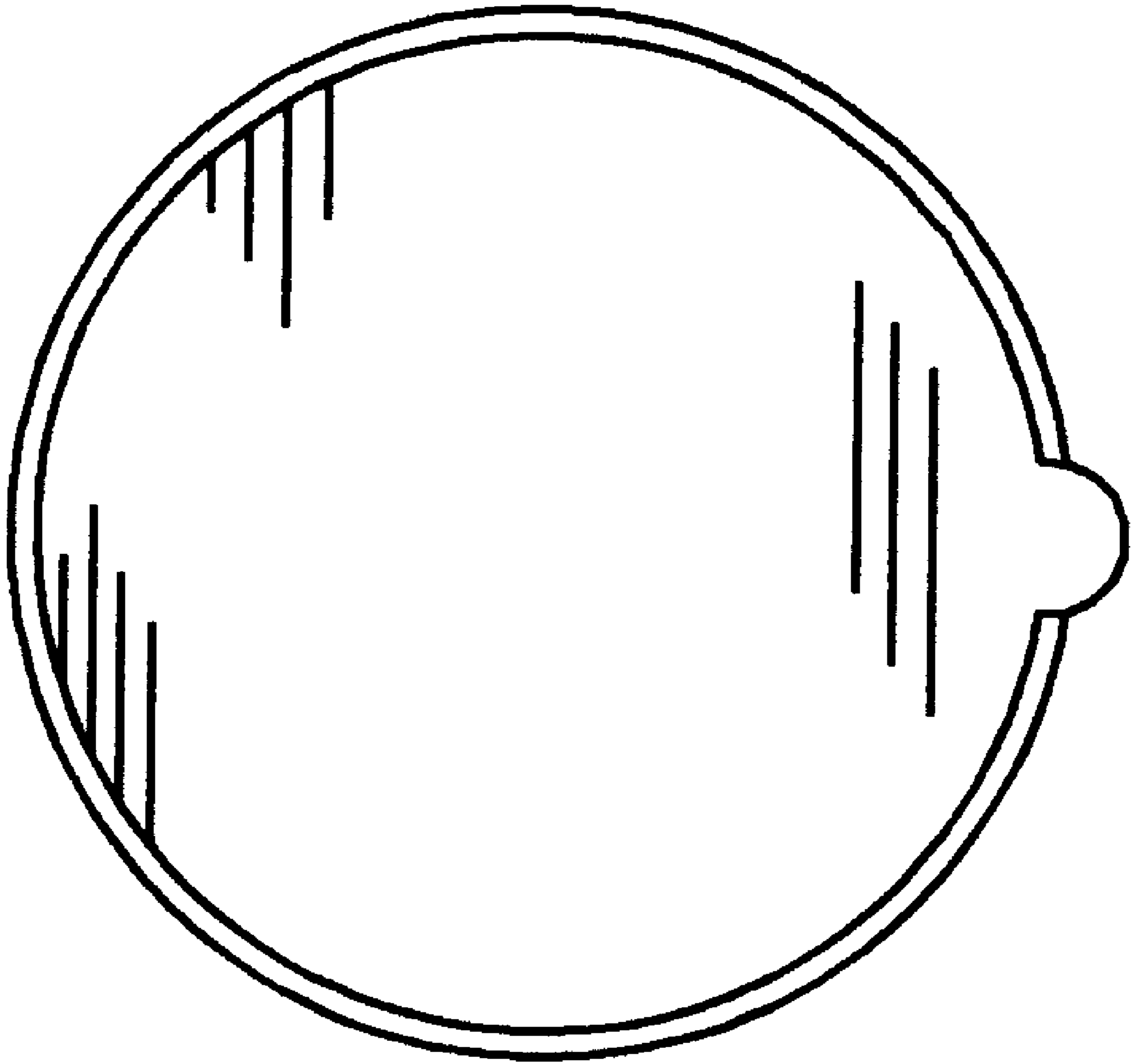


FIG. 7



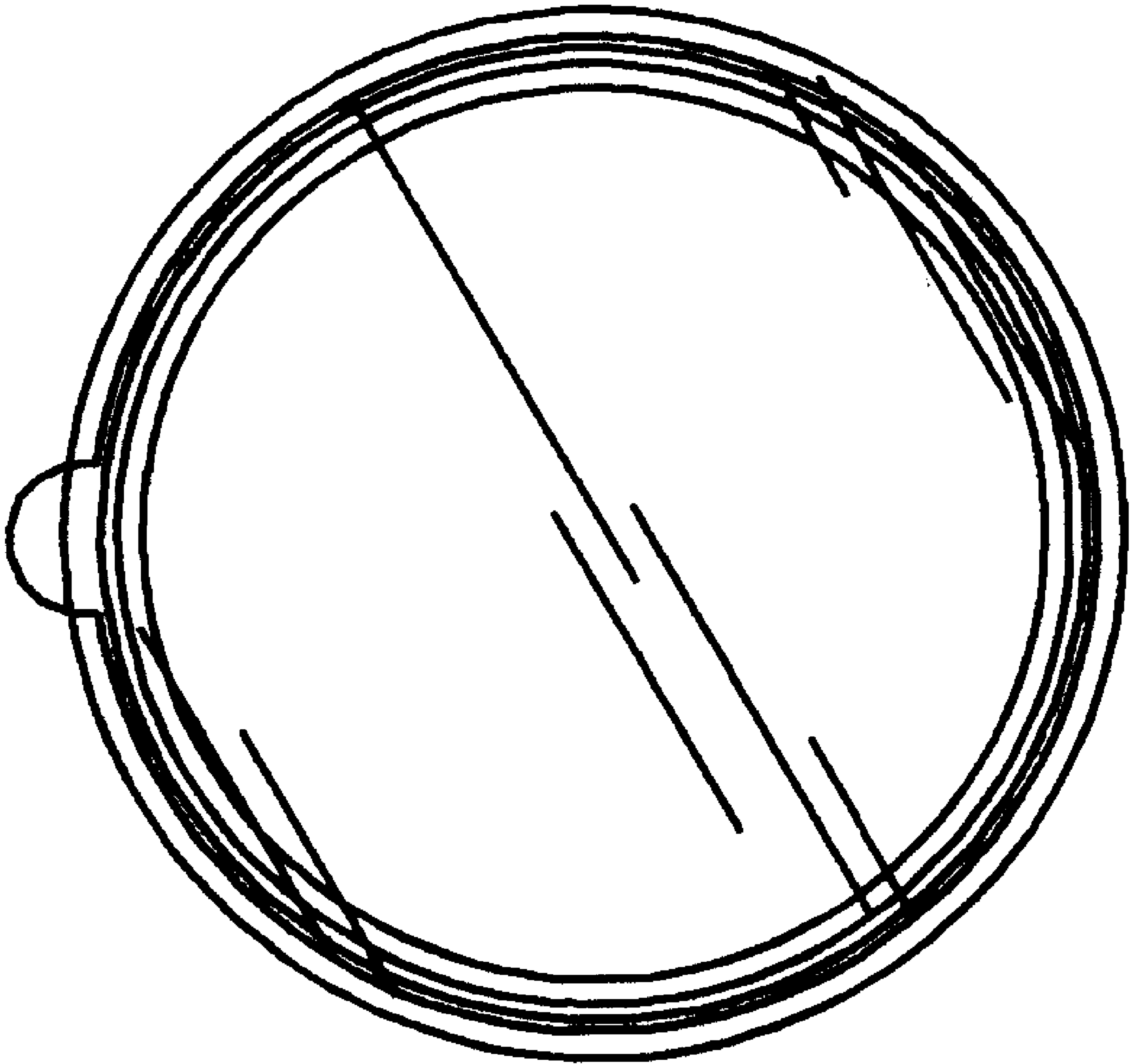


FIG. 8