



US00D408978S

# United States Patent [19] Savoie

[11] Patent Number: **Des. 408,978**

[45] Date of Patent: **\*\* May 4, 1999**

[54] **QUICK RELEASE SPIKE FOR FOOTWEAR**

[75] Inventor: **Armand J. Savoie**, Gardner, Mass.

[73] Assignee: **MacNeill Engineering Company, Inc.**,  
Marlborough, Pa.

[\*] Notice: This patent is subject to a terminal disclaimer.

[\*\*] Term: **14 Years**

[21] Appl. No.: **29/081,947**

[22] Filed: **Jan. 12, 1998**

### Related U.S. Application Data

[63] Continuation-in-part of application No. 29/064,654, Jan. 8, 1997, Pat. No. Des. 388,949, which is a continuation-in-part of application No. 08/774,585, Dec. 23, 1996, Pat. No. 5,768,809.

[51] **LOC (6) Cl.** ..... **02-04**

[52] **U.S. Cl.** ..... **D2/962**

[58] **Field of Search** ..... D2/962; 36/126-130,  
36/134, 135, 67 A, 67 B, 67 C, 67 D, 67 R,  
62

### [56] References Cited

#### U.S. PATENT DOCUMENTS

D. 320,882 10/1991 Collins ..... D2/962

D. 388,949	1/1998	Savoie	.....	D2/962
2,459,610	1/1949	Zadina	.....	36/67 D
3,195,246	7/1965	Ueda	.....	D2/962
4,723,366	2/1988	Hagger	.....	36/134
5,036,606	8/1991	Erich et al.	.....	36/67 D
5,410,823	5/1995	Iyoob	.....	36/127
5,426,873	6/1995	Savoie	.....	36/127
5,655,317	8/1997	Grant	.....	36/134
5,768,809	6/1998	Savoie	.....	36/67 A

*Primary Examiner*—Louis S. Zarfaz  
*Assistant Examiner*—G. Andoll  
*Attorney, Agent, or Firm*—Bromberg & Sunstein LLP

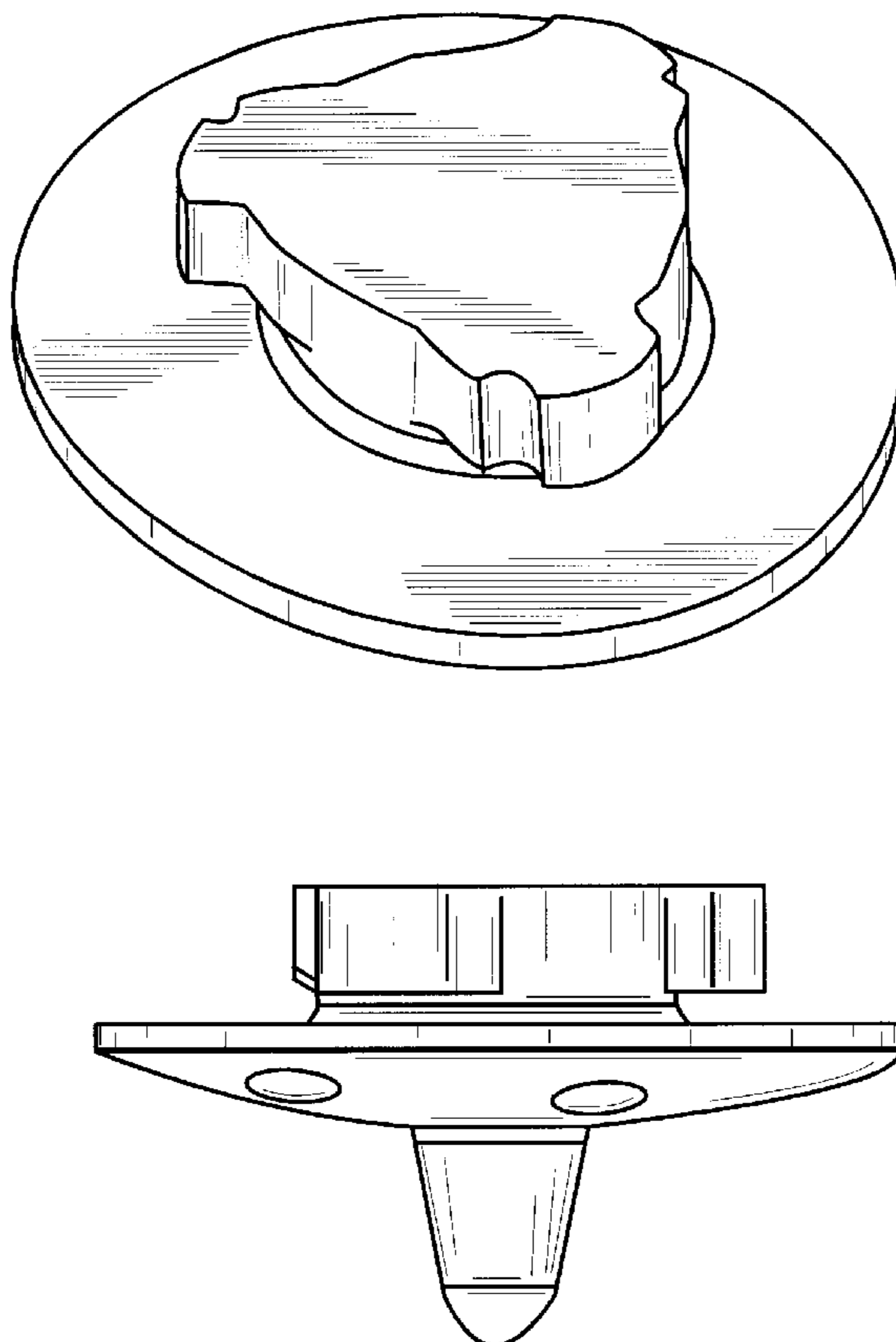
### [57] CLAIM

The ornamental design for a quick release spike for footwear, as shown and described.

### DESCRIPTION

FIG. 1 is a perspective view of a quick release spike for footwear, showing my new design;  
FIG. 2 is a left side elevational view thereof;  
FIG. 3 is a right side elevational view thereof;  
FIG. 4 is a front elevational view thereof;  
FIG. 5 is a rear elevational view thereof;  
FIG. 6 is a top plan view thereof; and,  
FIG. 7 is a bottom plan view thereof.

**1 Claim, 2 Drawing Sheets**



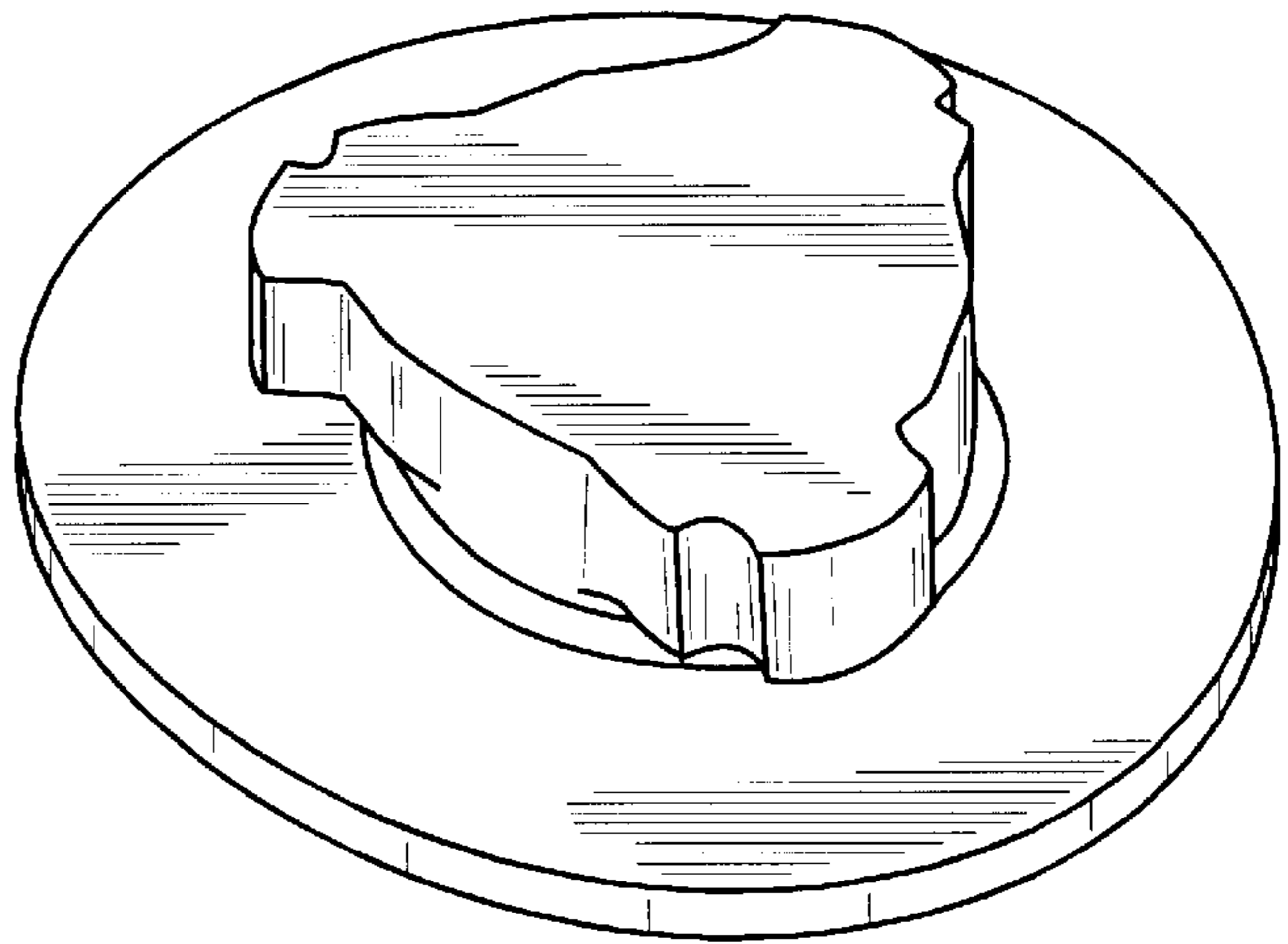


FIG. 1

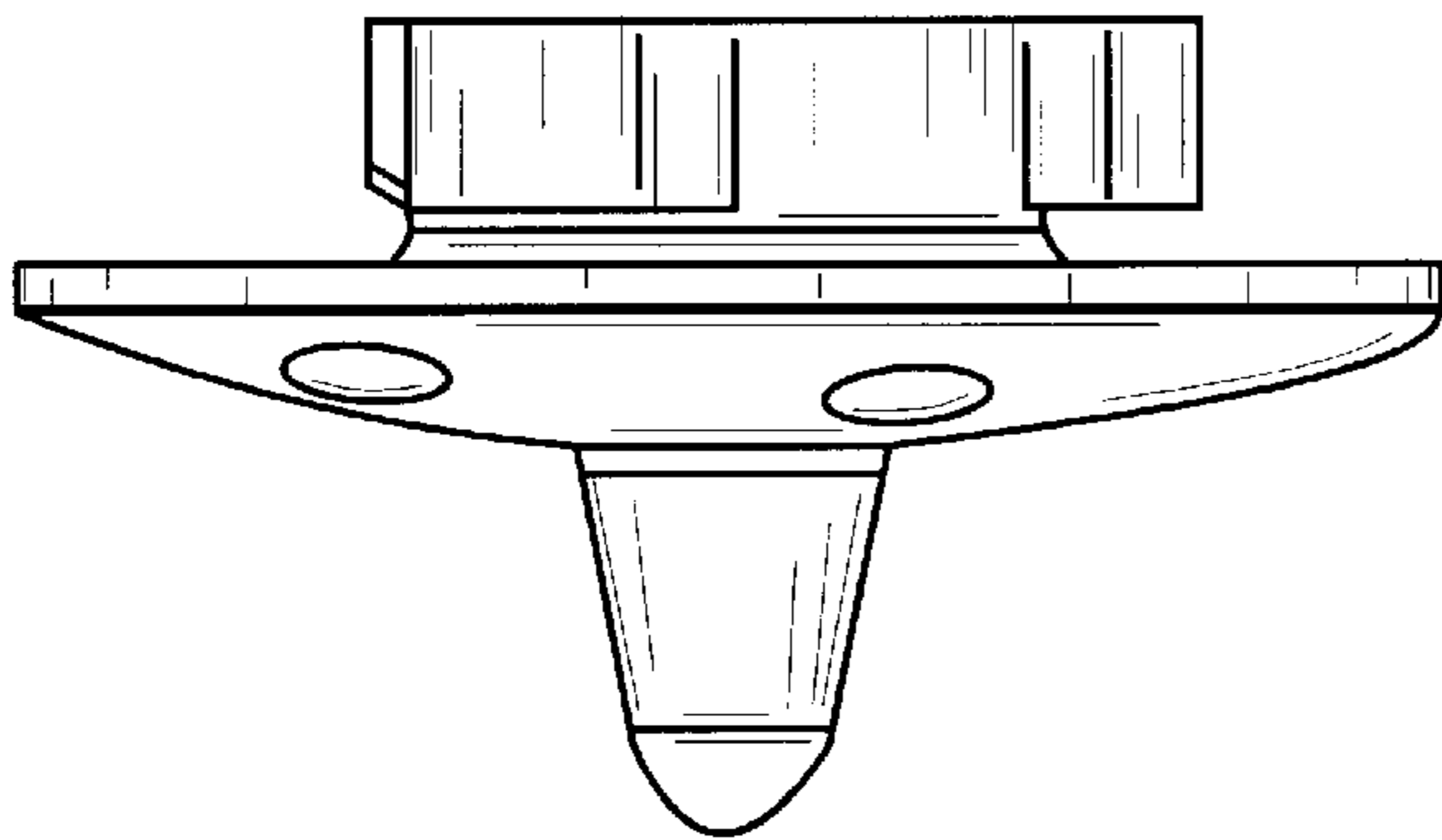


FIG. 2

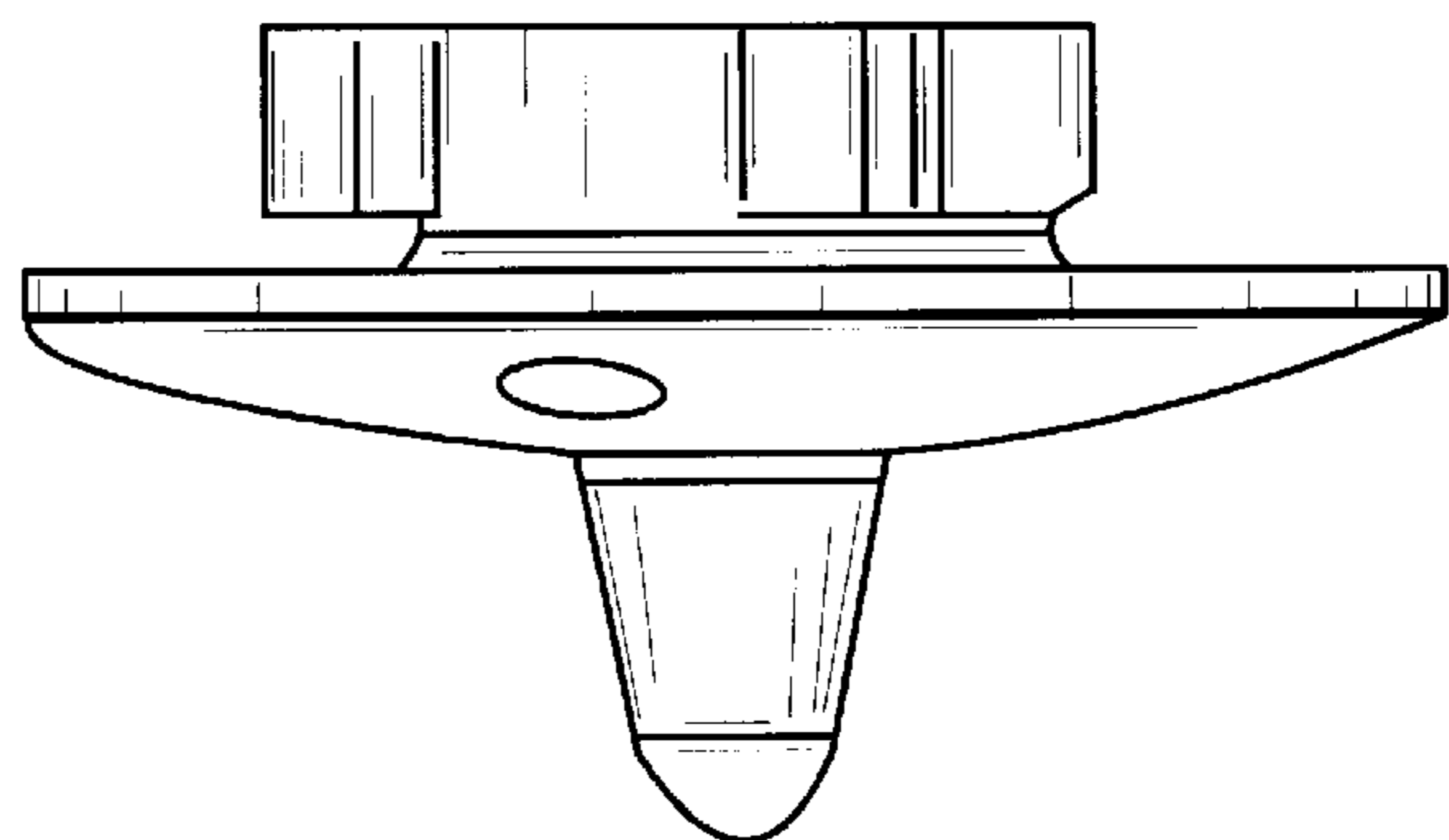


FIG. 3

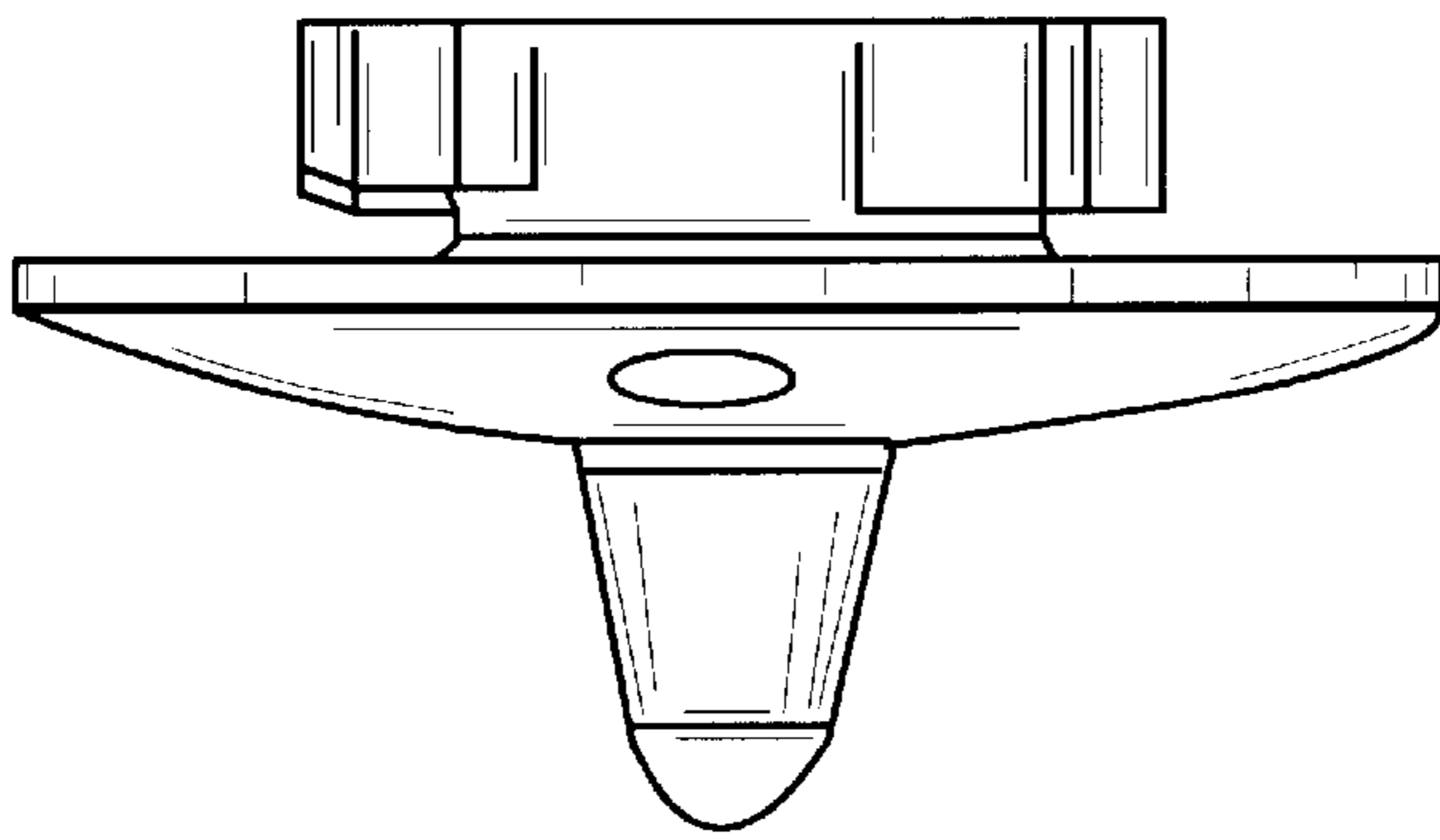


FIG. 4

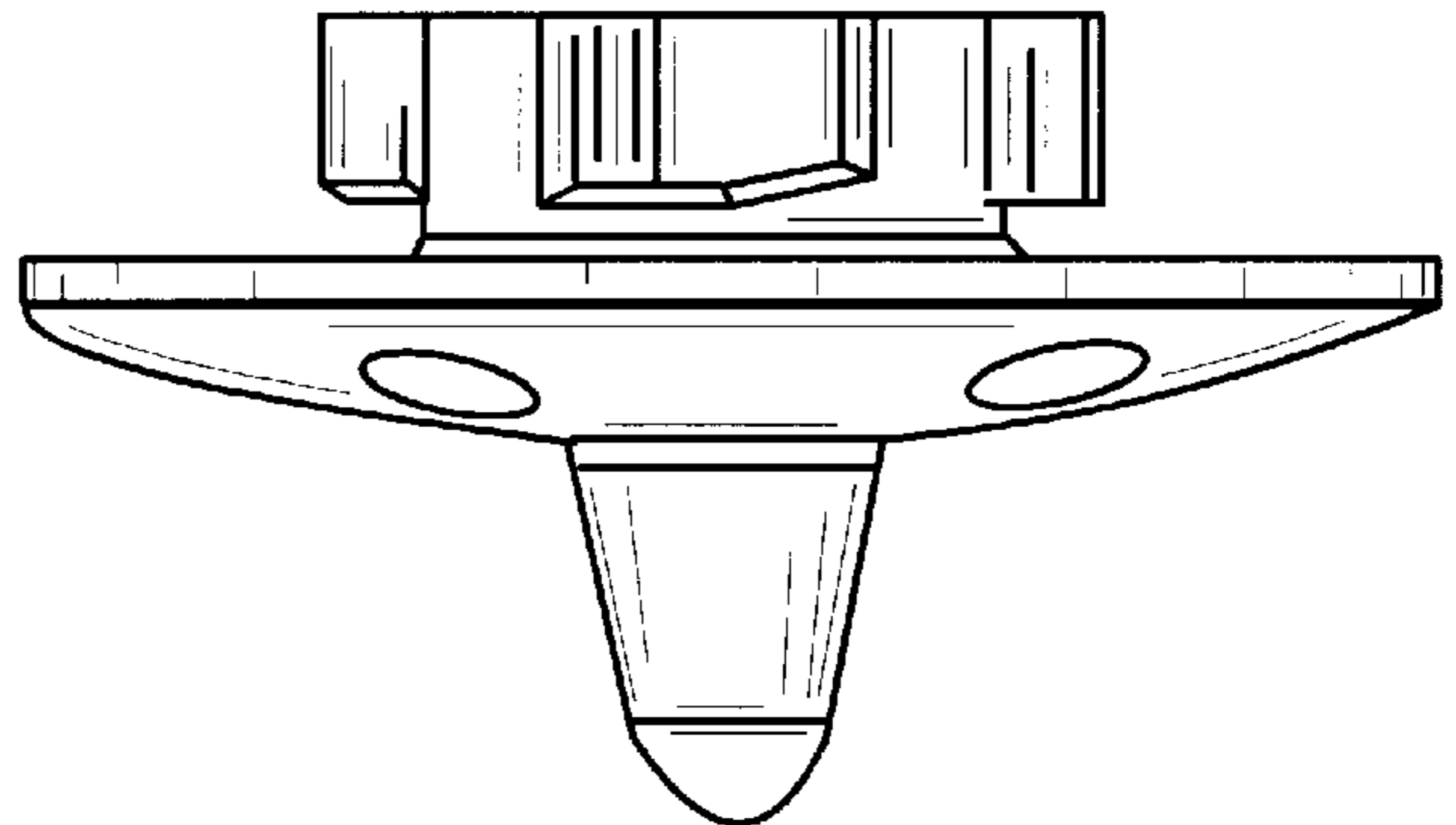


FIG. 5

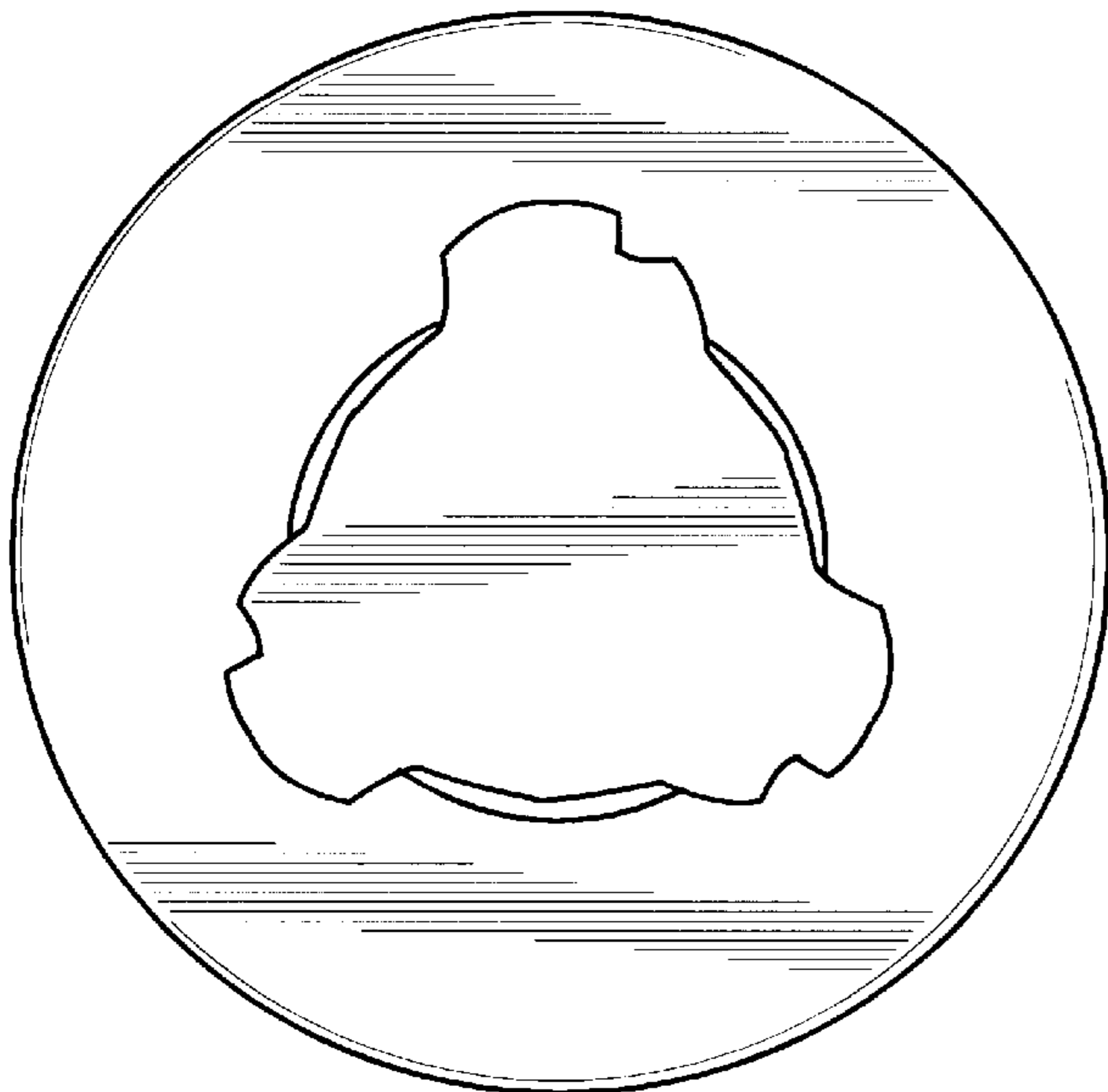


FIG. 6

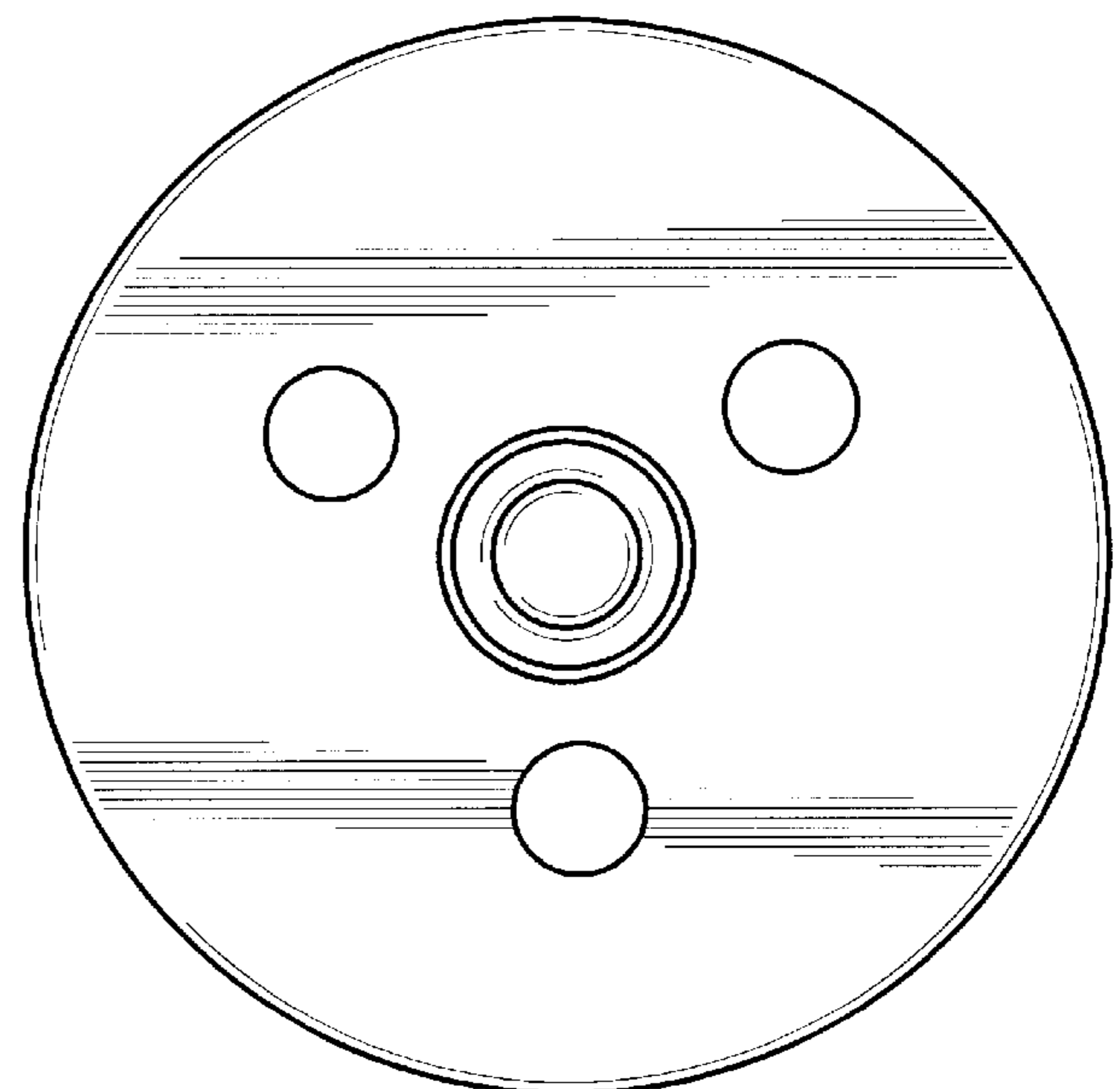


FIG. 7

UNITED STATES PATENT AND TRADEMARK OFFICE  
**CERTIFICATE OF CORRECTION**

PATENT NO. : Des. 408,978

DATED : May 4, 1999

INVENTOR(S) : Armand J. Savoie

It is certified that error appears in the above-identified patent and that said Letters Patent is hereby corrected as shown below:

On the title page item [73], change "Marlborough, Pa" to --Marlborough, Ma--

Signed and Sealed this  
Fourteenth Day of September, 1999

Attest:



Q. TODD DICKINSON

Attesting Officer

Acting Commissioner of Patents and Trademarks