



US00D408977S

United States Patent [19] Greenberg

[11] Patent Number: **Des. 408,977**
[45] Date of Patent: **** May 4, 1999**

[54] **COMBINED SHOE BOTTOM AND PERIPHERY**

[75] Inventor: **Robert Y. Greenberg**, Manhattan Beach, Calif.

[73] Assignee: **Skechers U.S.A., Inc.**, Manhattan Beach, Calif.

[**] Term: **14 Years**

[21] Appl. No.: **29/084,169**

[22] Filed: **Feb. 26, 1998**

[51] **LOC (6) Cl.** **02-04**

[52] **U.S. Cl.** **D2/960; D2/957**

[58] **Field of Search** D2/897, 902, 914, D2/916, 919, 946-962, 964; 36/59 C, 85, 101, 103, 104, 106, 113-115, 127-130, 3 B, 11.5, 12-15, 25 R

[56] **References Cited**

U.S. PATENT DOCUMENTS

- D. 240,281 6/1976 Russell .
- D. 242,091 11/1976 Tornero .
- D. 244,642 6/1977 Famolare, Jr. .
- D. 245,734 9/1977 Jacobs .
- D. 269,139 5/1983 Stubblefield .
- D. 280,950 10/1985 Austin et al. .
- D. 285,984 10/1986 Tong et al. .
- D. 286,342 10/1986 Stubblefield .
- D. 289,943 5/1987 Liebscher et al. D2/959
- D. 295,459 5/1988 Zuidema et al. .
- D. 296,724 7/1988 Peterson .
- D. 298,285 11/1988 Tong .
- D. 298,683 11/1988 Kelley et al. .
- D. 301,392 6/1989 Le .
- D. 301,936 7/1989 Swett .
- D. 305,381 1/1990 Mitsui .
- D. 307,510 5/1990 Issler .
- D. 319,724 9/1991 Issler .
- D. 319,725 9/1991 Claveria .
- D. 322,156 12/1991 Hase .
- D. 325,806 5/1992 Herber .
- D. 326,014 5/1992 Issler .

- D. 326,355 5/1992 Cotsidas .
- D. 331,490 12/1992 Bramani .
- D. 332,863 2/1993 Lucas .
- D. 340,130 10/1993 Blissett .
- D. 340,571 10/1993 Novy .
- D. 352,156 11/1994 Purdom .
- D. 352,597 11/1994 Cohen .
- D. 353,258 12/1994 Issler .
- D. 356,671 3/1995 Blanchini D2/957
- D. 357,571 4/1995 Mitsui .
- D. 364,265 11/1995 Murray .
- D. 366,354 1/1996 Yoshikawa et al. .
- D. 368,577 4/1996 Mitsui .
- D. 372,576 8/1996 Mills et al. .
- D. 377,109 1/1997 Manfredi .
- D. 379,259 5/1997 Kayano .
- D. 379,861 6/1997 Wunsch .
- D. 387,193 12/1997 Glicksman et al. D2/952
- D. 389,295 1/1998 Kelchak D2/960
- 2,394,454 2/1946 Kappeler .
- 4,501,077 2/1985 Young .
- 4,550,510 11/1985 Stubblefield .
- 4,741,114 5/1988 Stubblefield .
- 4,747,220 5/1988 Autry et al. .
- 5,423,135 6/1995 Poole et al. .
- 5,513,449 5/1996 Gramola .

Primary Examiner—Celia Murphy
Attorney, Agent, or Firm—Marshall A. Lerner, Esq.; Bradford E. Mattes, Esq.; Kleinberg & Lerner, LLP

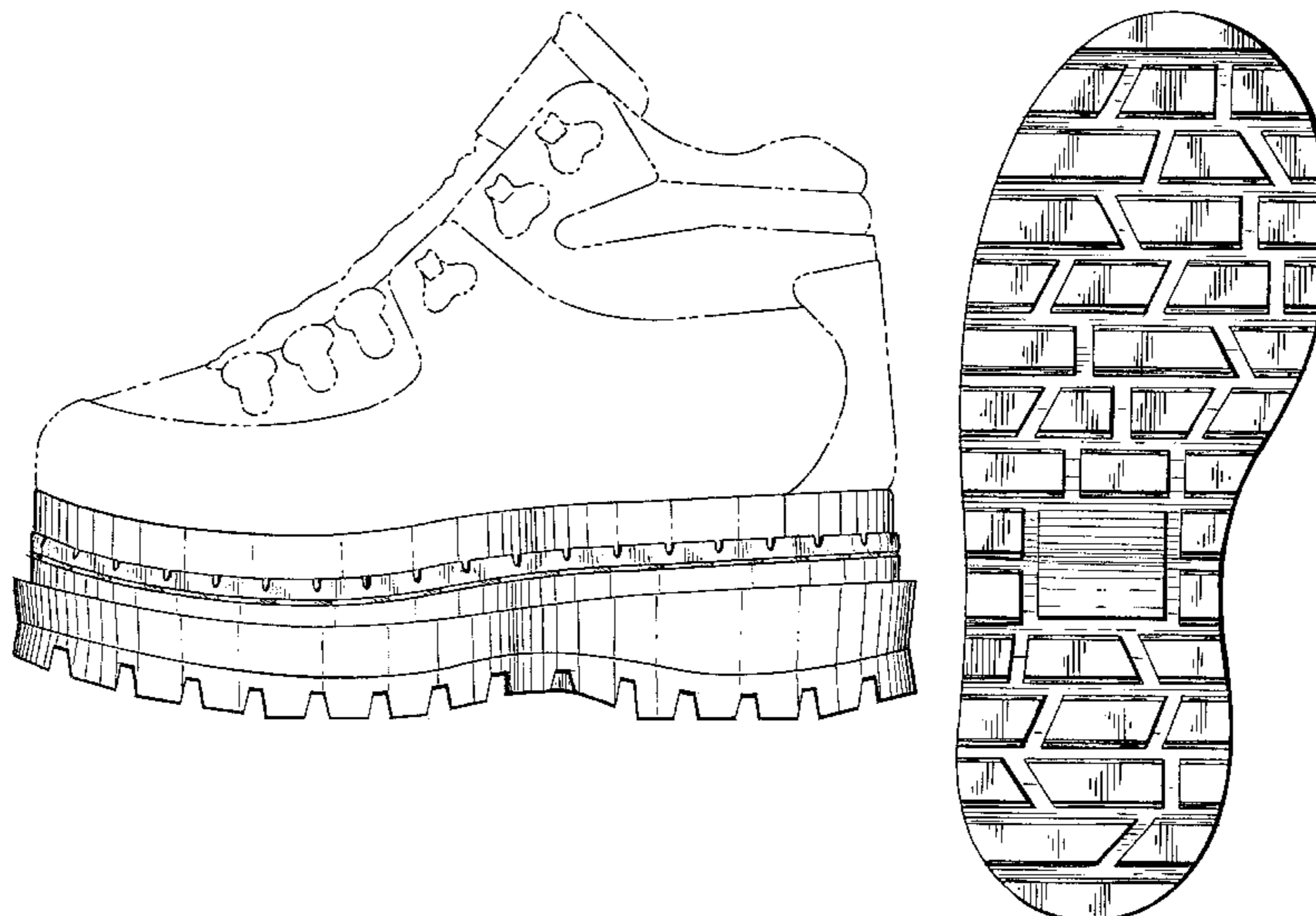
[57] **CLAIM**

The ornamental design for a combined shoe bottom and periphery, as shown and described.

DESCRIPTION

FIG. 1 is a perspective view of the combined shoe bottom and periphery showing my new design. The broken line showing of the shoe in FIG. 1 is for illustrative purposes only and forms no part of the claimed design; FIG. 2 is a left side elevational view thereof, the right side being a mirror image; FIG. 3 is a bottom plan view thereof; FIG. 4 is a front elevational view thereof; and, FIG. 5 is a rear elevational view thereof.

1 Claim, 4 Drawing Sheets



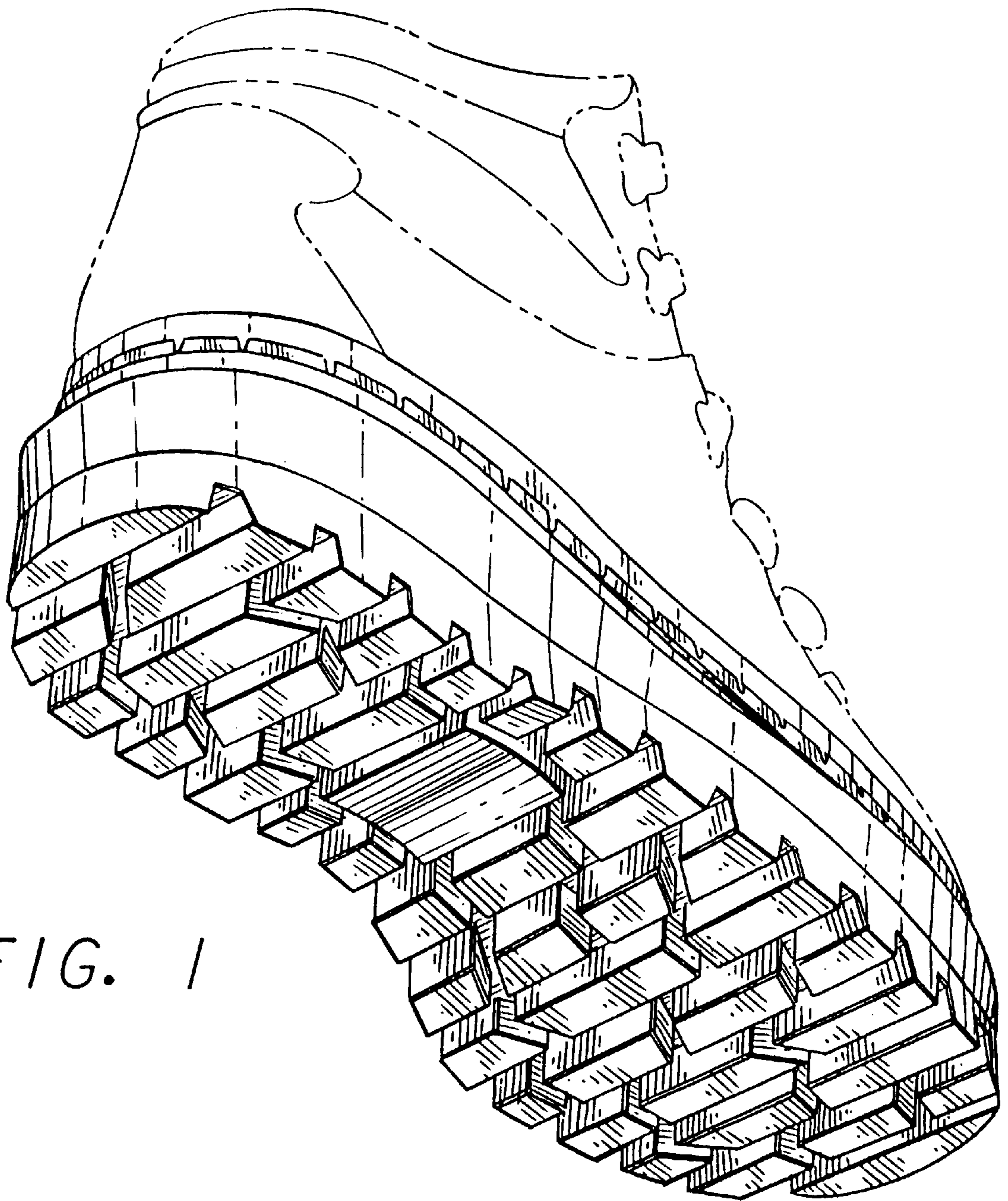


FIG. 1

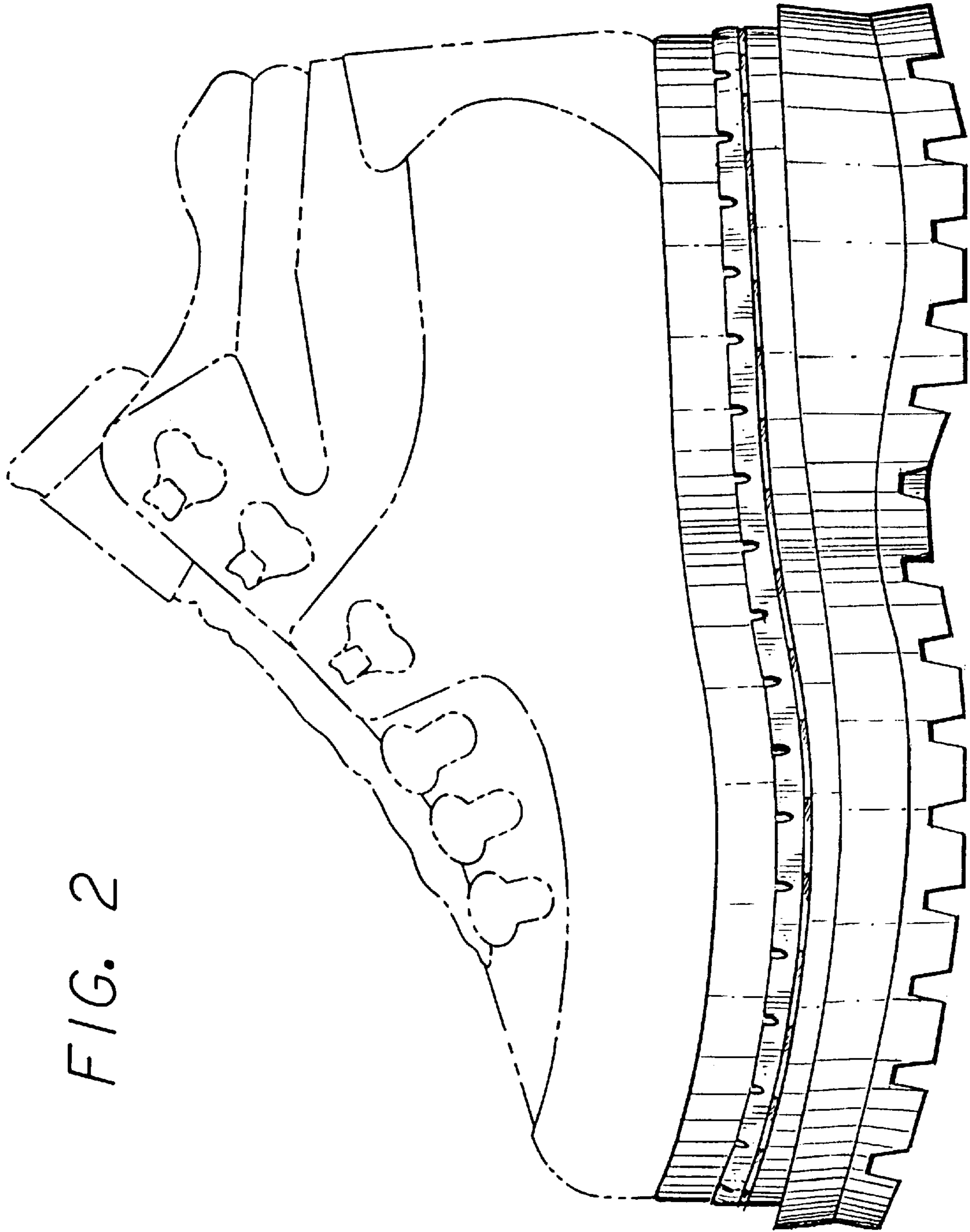


FIG. 2

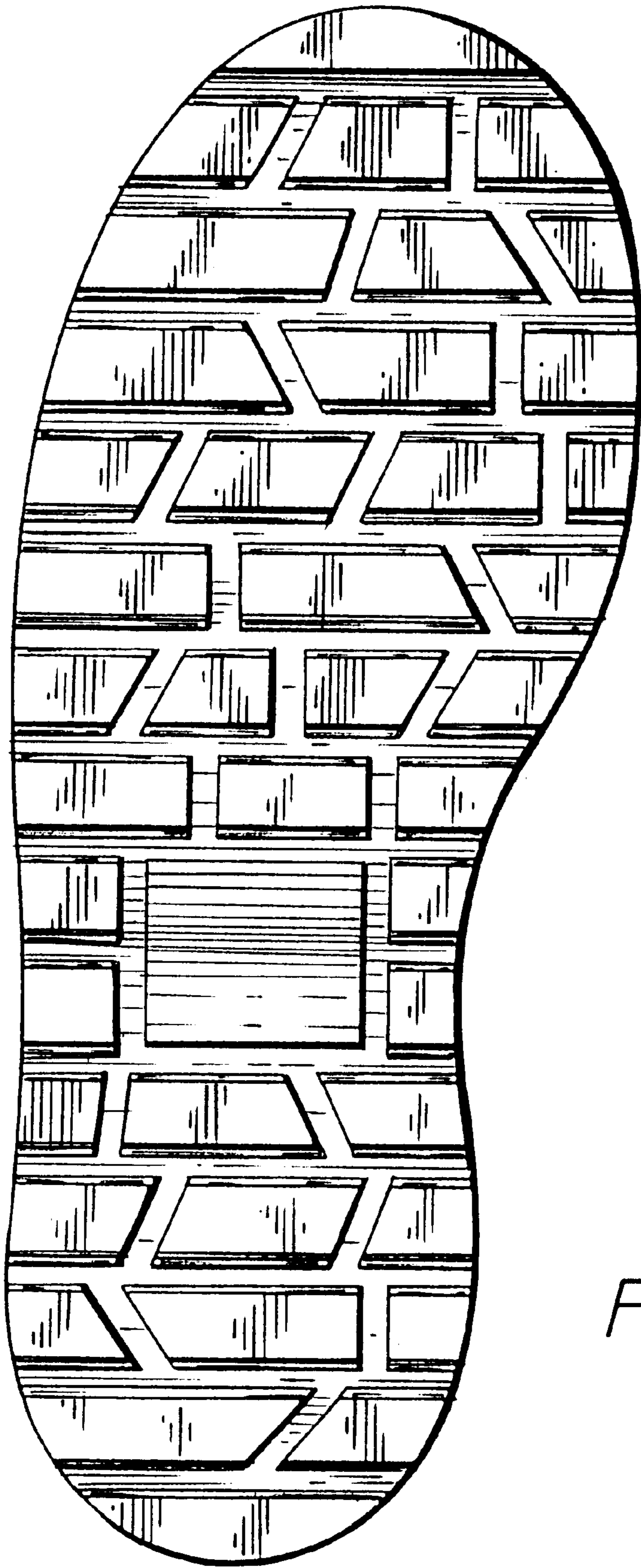


FIG. 3

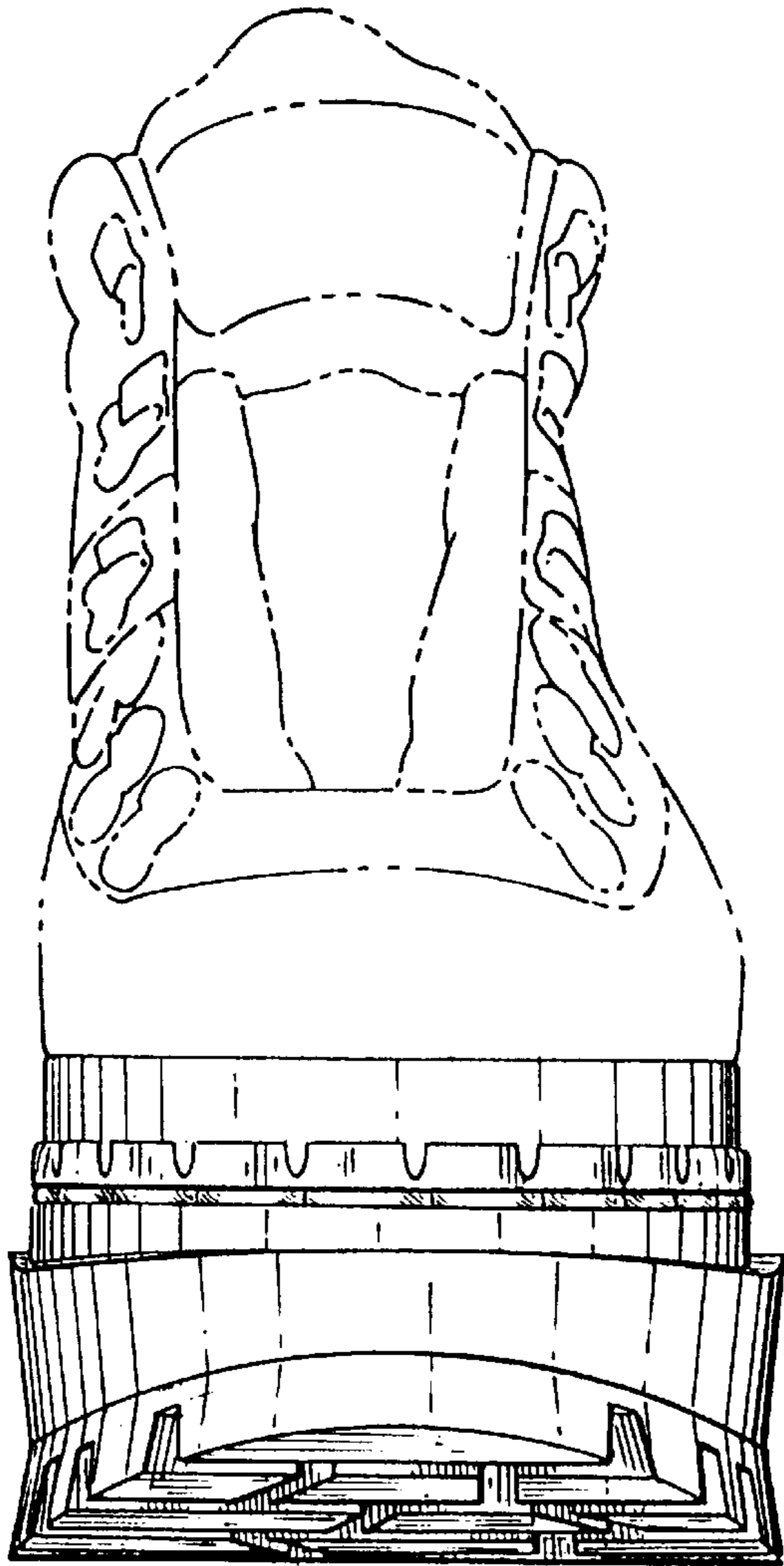


FIG. 4

FIG. 5

