



US00D408956S

# United States Patent [19]

[11] **Patent Number: Des. 408,956**

**Kern et al.**

[45] **Date of Patent: \*\*Apr. 27, 1999**

[54] **PLASTIC BOTTOM TRAY FOR A SHOPPING CART**

5,289,936	3/1994	Jones et al. ....	280/33.992
5,350,182	9/1994	Hurst .....	280/33.996
5,507,507	4/1996	Davidson .....	280/33.991

[75] Inventors: **Alan R. Kern; Chris Johnson**, both of Richmond; **Ralph McCann**, Glen Allen, all of Va.

*Primary Examiner*—Kay H. Chin  
*Attorney, Agent, or Firm*—Bacon & Thomas

[73] Assignee: **Rehrig International, Inc.**, Richmond, Va.

[57] **CLAIM**

[\*\*] Term: **14 Years**

The ornamental design for a plastic bottom tray for a shopping cart, as shown and described.

[21] Appl. No.: **29/088,098**

**DESCRIPTION**

[22] Filed: **May 15, 1998**

FIG. 1 is a top perspective view of a plastic bottom tray for a shopping cart showing our design;

[51] **LOC (6) Cl.** ..... **12-02**

FIG. 2 is a top view thereof;

[52] **U.S. Cl.** ..... **D34/27**

FIG. 3 is a bottom view thereof;

[58] **Field of Search** ..... D34/12-27; 280/33.991, 280/33.992, 33.997, 33.996, 79.3, 47.26

FIG. 4 is a front elevation view thereof;

FIG. 5 is a rear elevation view thereof;

[56] **References Cited**

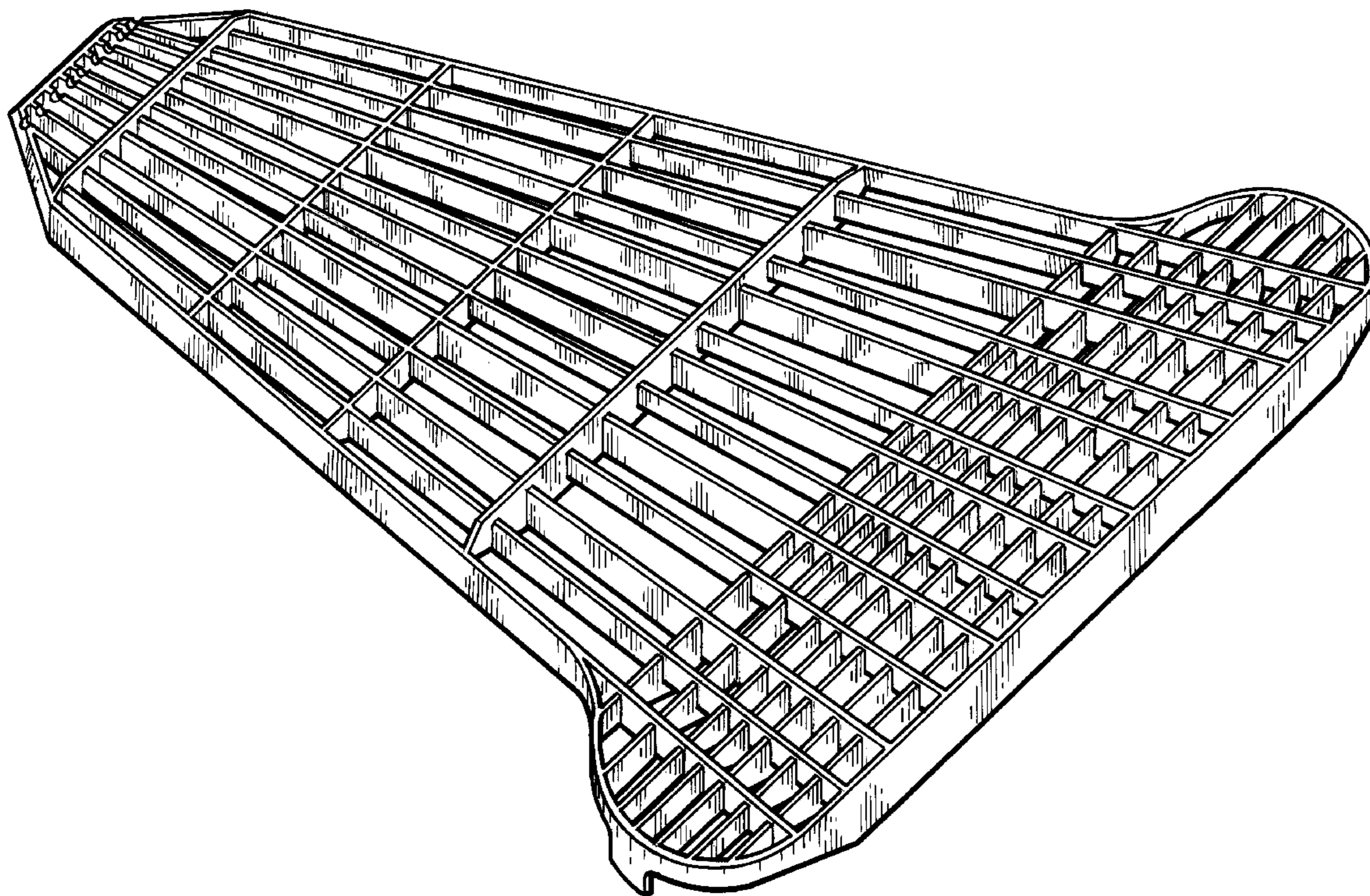
FIG. 6 is a right side elevation view thereof; and,

FIG. 7 is a left side elevation view thereof.

**U.S. PATENT DOCUMENTS**

2,903,269 9/1959 Hennion ..... 280/33.992

**1 Claim, 4 Drawing Sheets**





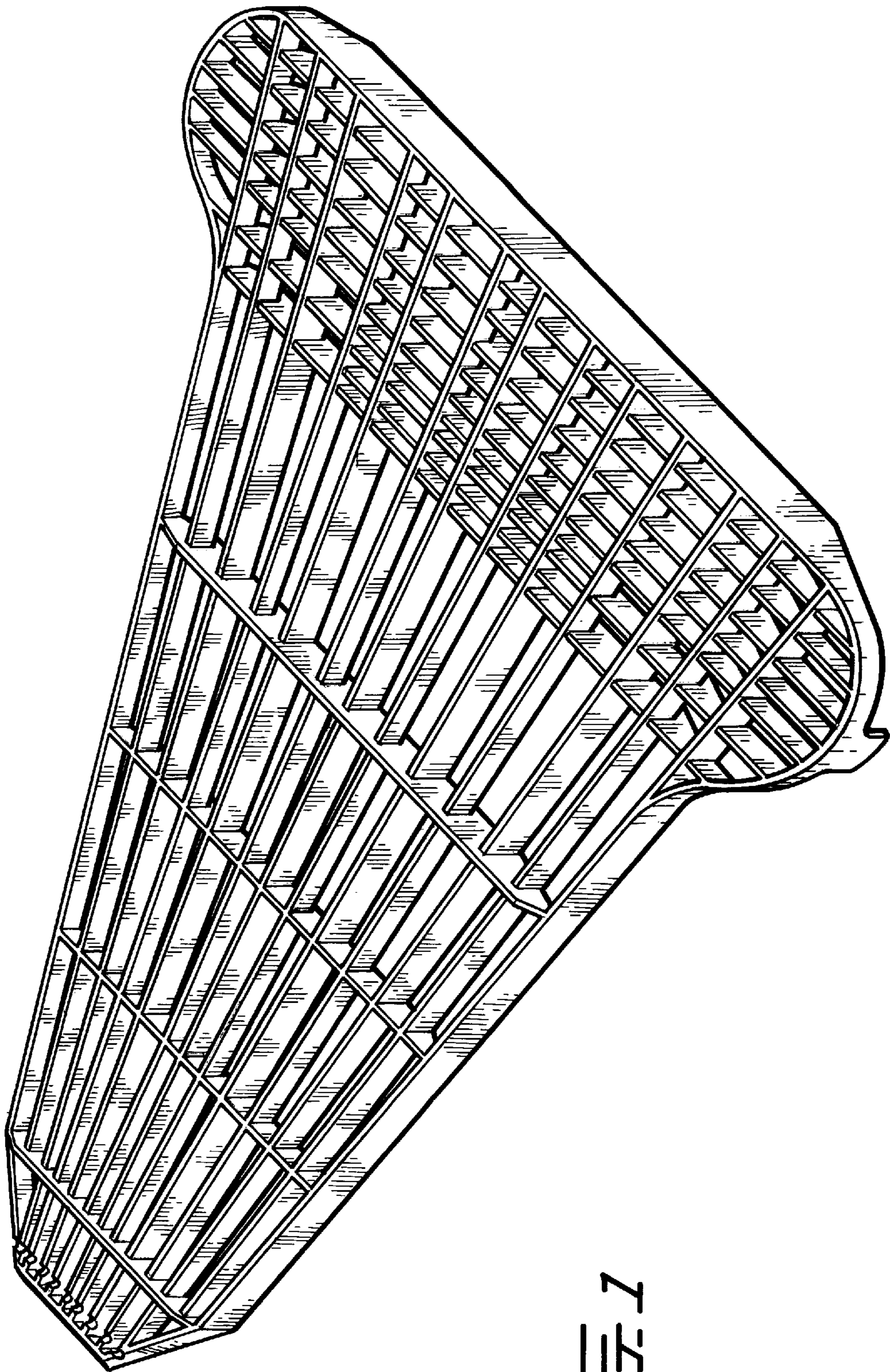


FIG. 1

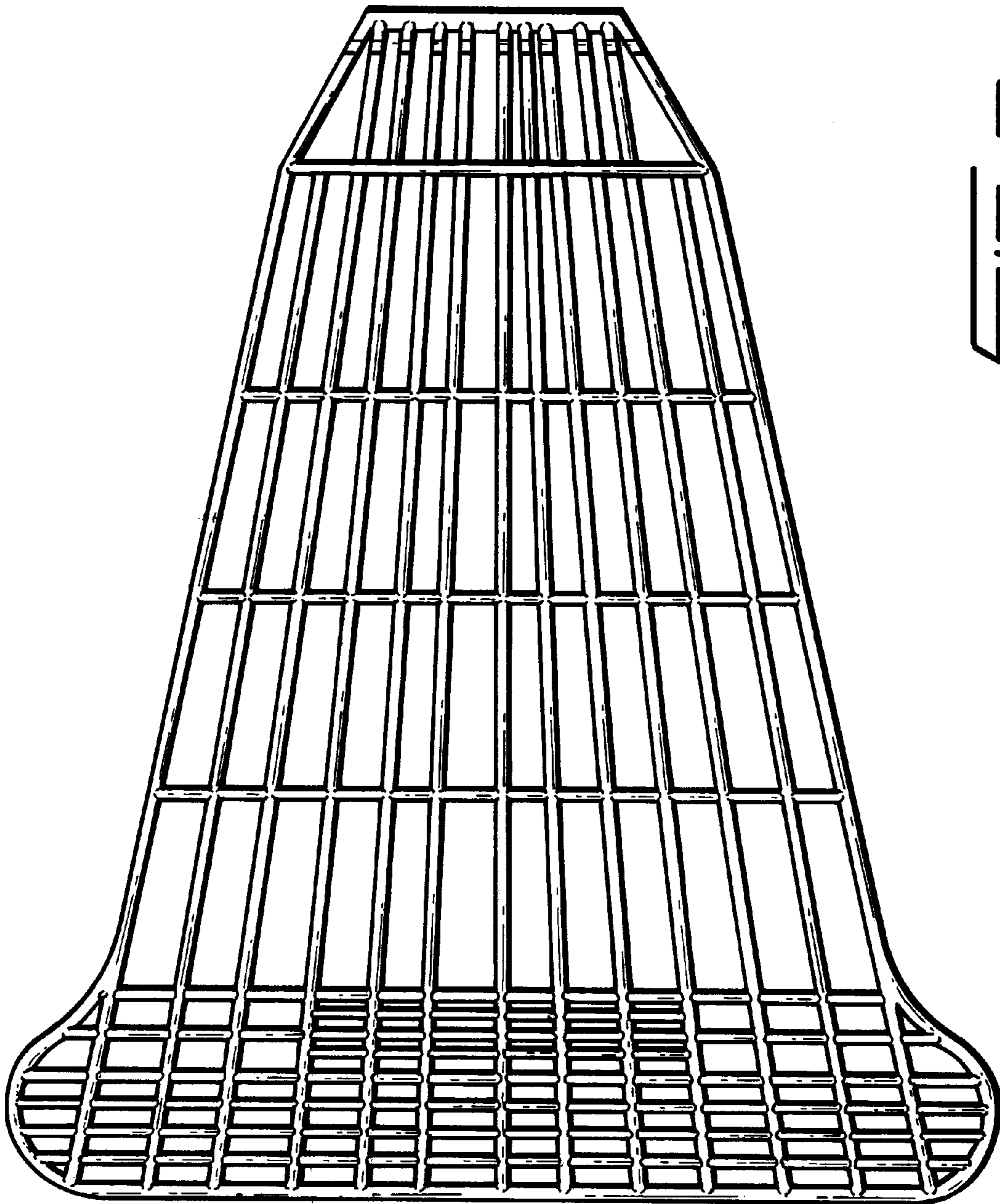


FIG. 2

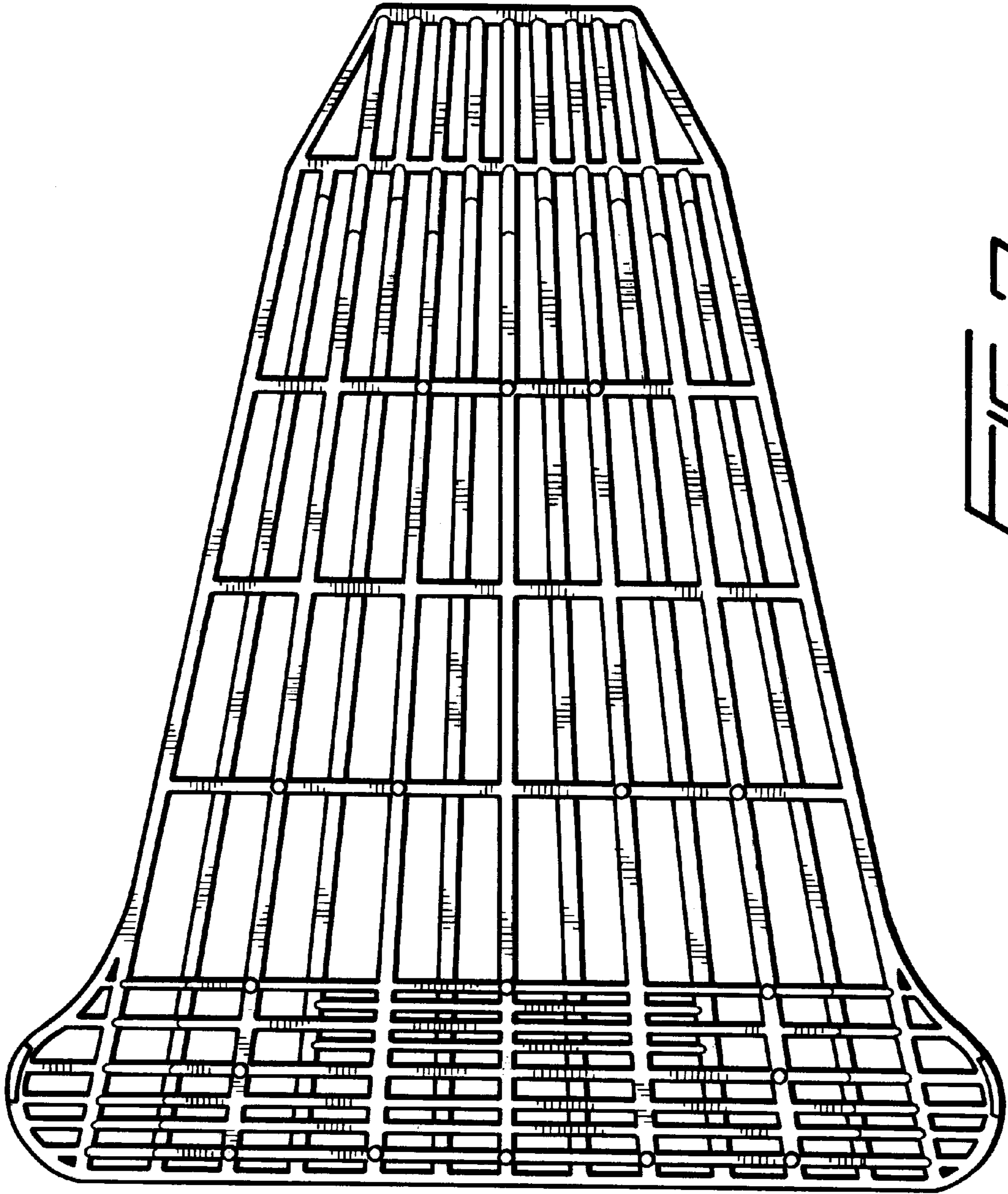


FIG. 3

FIG. 4



FIG. 5



FIG. 6

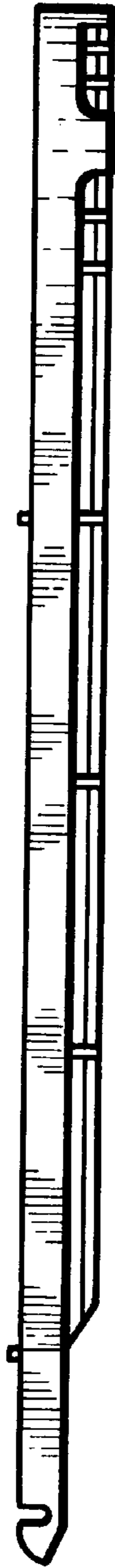


FIG. 7

