



US00D408949S

United States Patent [19] Queen

[11] Patent Number: **Des. 408,949**

[45] Date of Patent: **** Apr. 27, 1999**

[54] **BIODEGRADABLE DISPOSABLE CAT LITTER PAN**

[76] Inventor: **Frankie A. R. Queen**, 221 Three Oaks Dr., Lawrenceville, Ga. 30245

[**] Term: **14 Years**

[21] Appl. No.: **29/080,770**

[22] Filed: **Dec. 16, 1997**

[51] **LOC (6) Cl.** **30-99**

[52] **U.S. Cl.** **D30/161**

[58] **Field of Search** D30/108-109, D30/112-113, 117, 161; 119/416, 453, 482, 496, 502, 304, 301, 161-163, 165-170; D9/414, 424, 427, 430, 432; D3/304-305, 308-314

[56] **References Cited**

U.S. PATENT DOCUMENTS

D. 218,446	8/1970	Sleith	D30/161
D. 252,172	6/1979	Carroll et al.	D3/304
D. 282,245	1/1986	Yeung	D9/425
D. 310,558	9/1990	Valinsky	D30/161
D. 315,100	3/1991	Sheehan	D9/427
D. 319,977	9/1991	Curry	D3/312
D. 320,298	9/1991	Apps et al.	D3/312
D. 366,363	1/1996	Berggren	D30/161
D. 381,203	7/1997	Ackermann et al.	D3/307
3,377,990	4/1968	Mitchell	119/165
3,613,943	10/1971	Bridenstine	D3/314
3,712,270	1/1973	Fier, Jr.	119/61
3,734,341	5/1973	Levenhagen	206/507
4,448,151	5/1984	Lowe	119/165
4,535,315	8/1985	Sweeney	119/165
4,627,382	12/1986	Muzzey	119/165
4,716,853	1/1988	D'Aniello	119/165
4,784,082	11/1988	Wolfe	D30/161
4,801,006	1/1989	Martin et al.	119/170
4,807,563	2/1989	Berry et al.	D30/161

4,846,103	7/1989	Brown	119/168
4,858,559	8/1989	Allen	119/165
4,932,360	6/1990	O'Conner	119/168
5,123,381	6/1992	Salmon	119/165
5,172,652	12/1992	Dobrin et al.	119/165
5,251,573	10/1993	Bremley	119/168
5,476,067	12/1995	Queen et al.	119/168
5,566,641	10/1996	Rakli et al.	119/168
5,590,623	1/1997	Toole et al.	199/165
5,655,479	8/1997	Armington et al.	119/168
5,730,085	3/1998	Santoiemmo	119/168

FOREIGN PATENT DOCUMENTS

2222942	10/1974	France	119/168
8805257	7/1988	WIPO	D30/161

OTHER PUBLICATIONS

First Day Kit advertisement by the New Van Ness; cat litter box with accessories; Sep. 1992.

Primary Examiner—Cathy Anne MacCormac
Attorney, Agent, or Firm—Thomas, Kayden, Horstemeyer & Risley

[57] **CLAIM**

The ornamental design for a biodegradable disposable cat litter pan, as shown and described.

DESCRIPTION

FIG. 1 is a perspective view taken from the front, right and interior of a biodegradable disposable cat litter pan showing my new design;

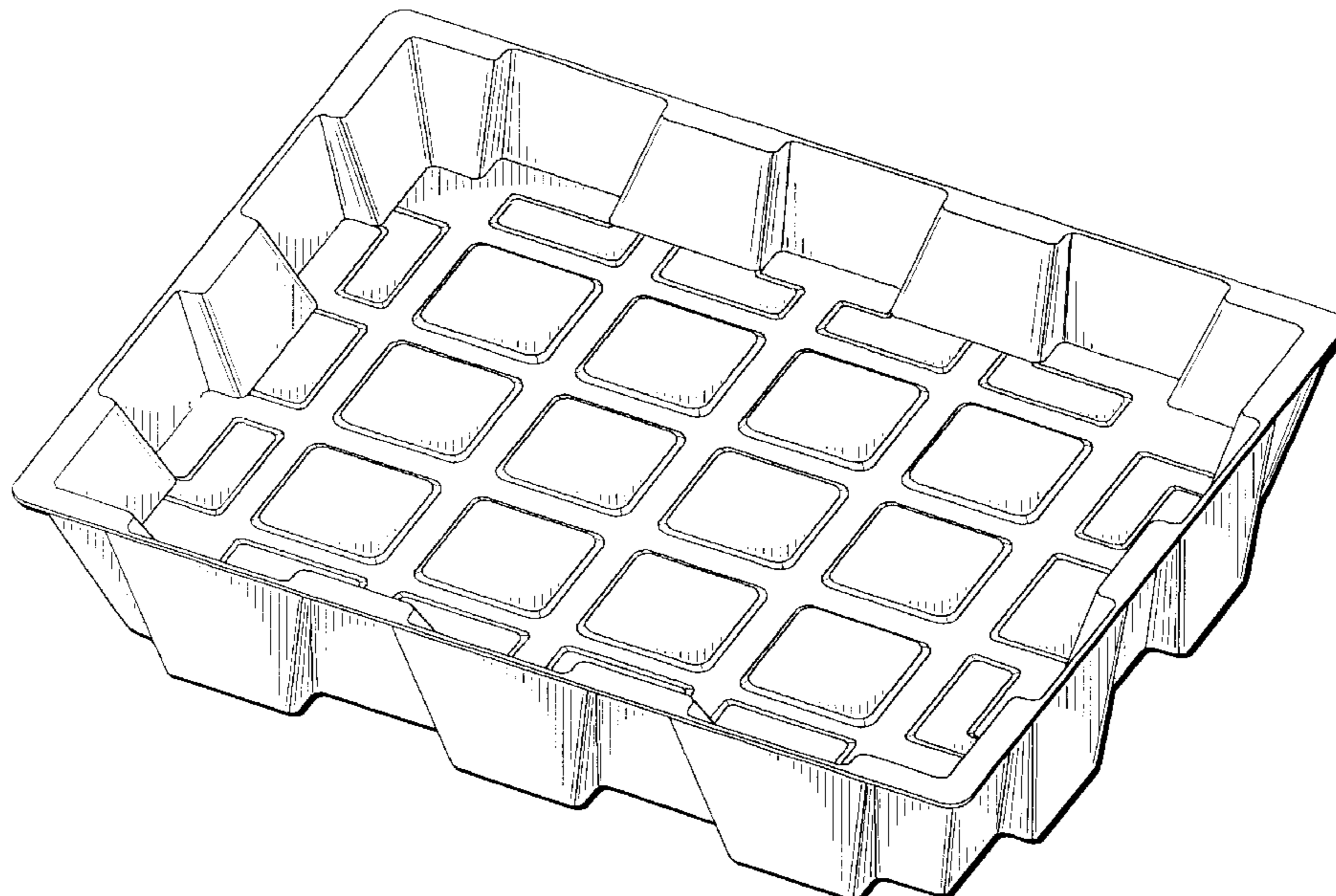
FIG. 2 is a front elevational view thereof, the rear being identical;

FIG. 3 is a right side view thereof, the left side being identical;

FIG. 4 is a top plan view thereof; and,

FIG. 5 is a bottom plan view thereof.

1 Claim, 2 Drawing Sheets



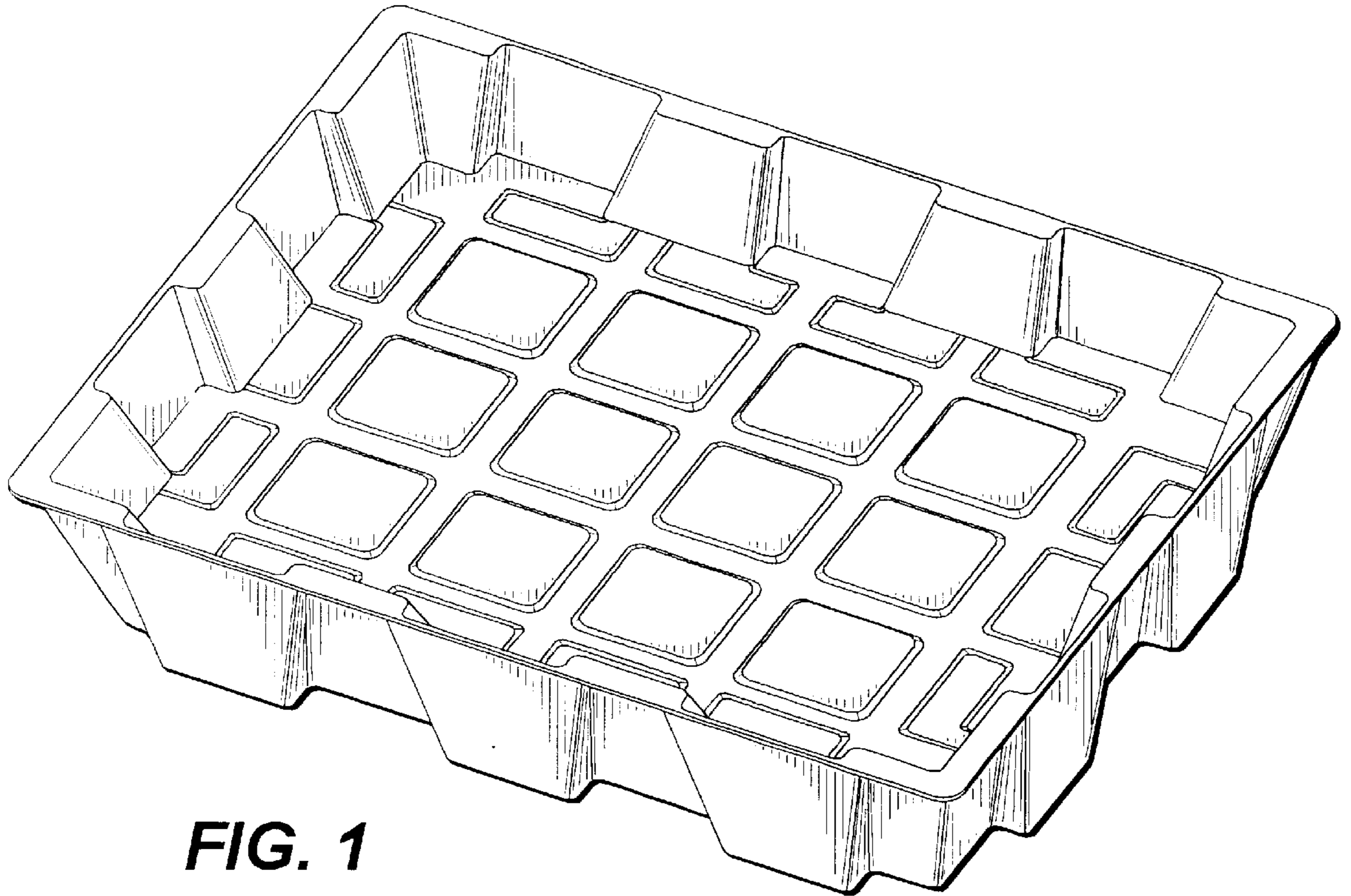


FIG. 1

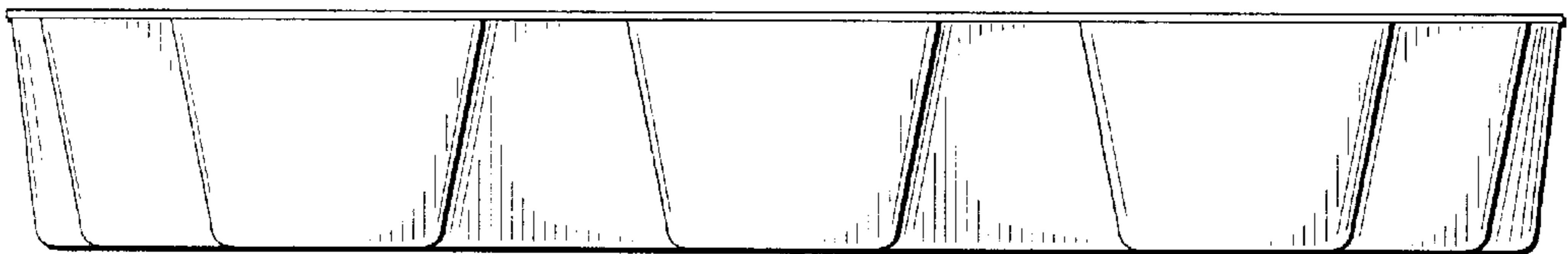


FIG. 2

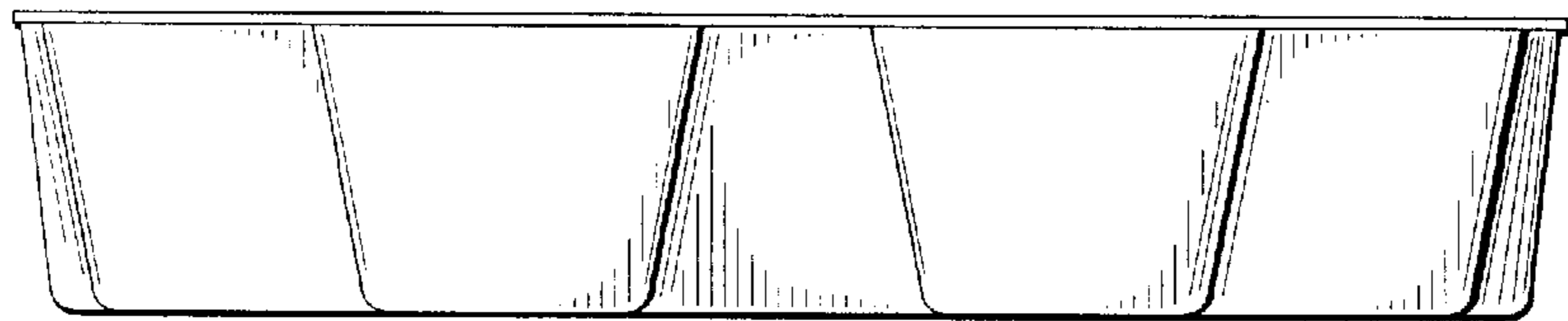


FIG. 3

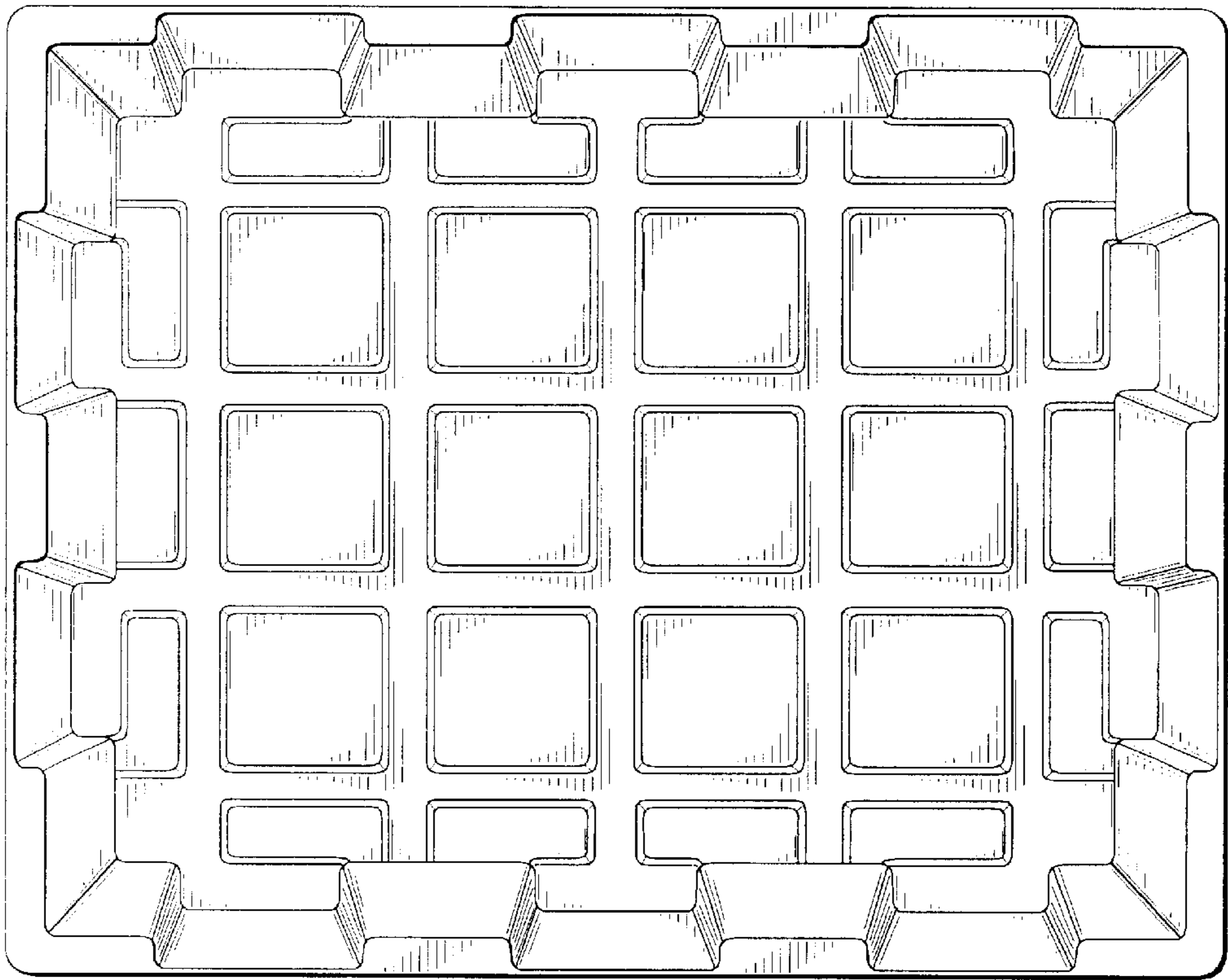


FIG. 4

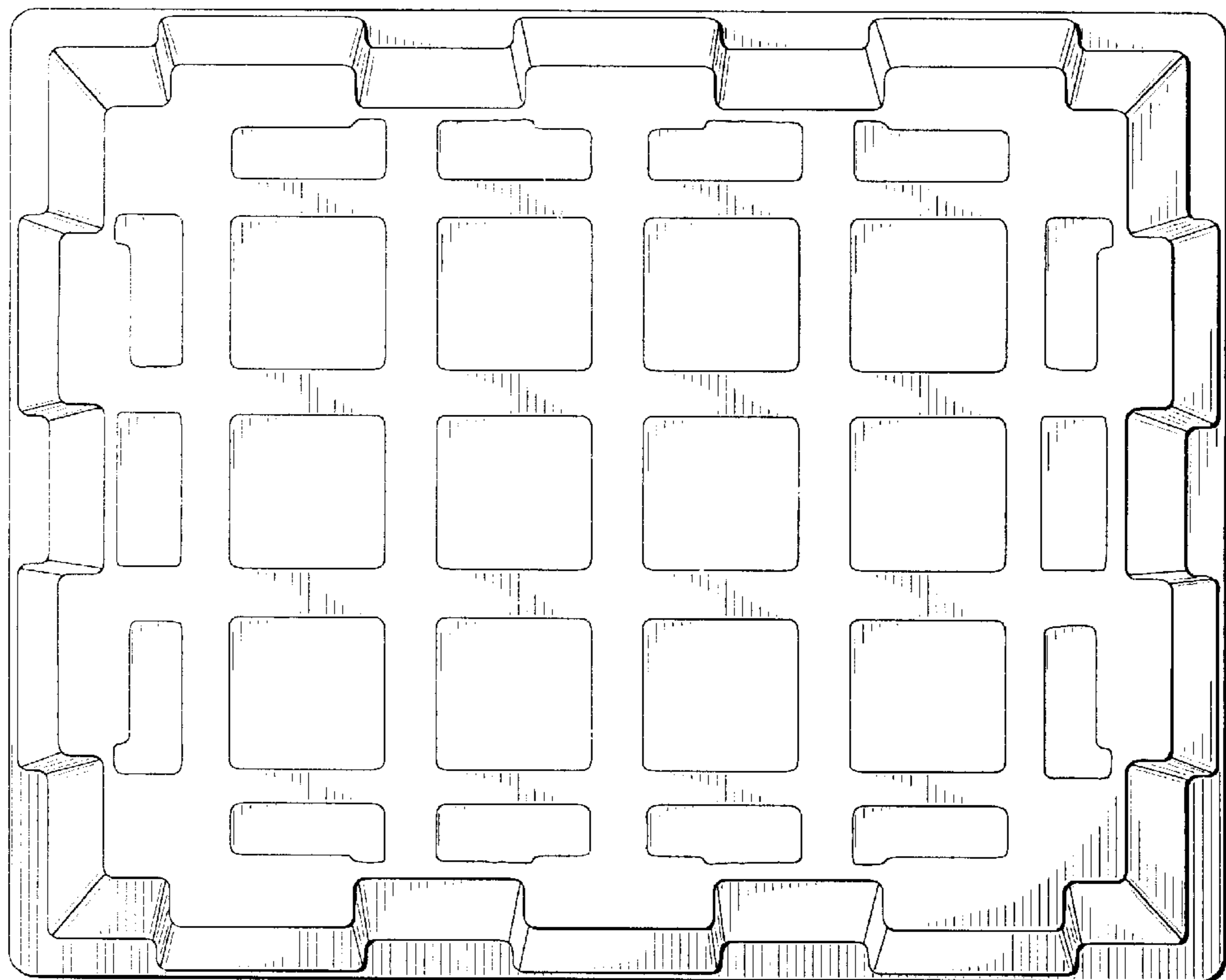


FIG. 5