



US00D408943S

United States Patent [19] Geiger

[11] Patent Number: Des. 408,943

[45] Date of Patent: ** Apr. 27, 1999

[54] TABLE MODEL CIGAR CUTTER

[76] Inventor: Alan A. Geiger, 4326 Riverview Blvd.
West, Bradenton, Fla. 34209

[**] Term: 14 Years

[21] Appl. No.: 29/081,257

[22] Filed: Dec. 29, 1997

[51] LOC (6) Cl. 27-06

[52] U.S. Cl. D27/195

[58] Field of Search D27/195; 30/109-113;
131/248, 249, 250, 252, 253, 254, 255

[56] References Cited

U.S. PATENT DOCUMENTS

190,784	5/1877	Schultze	30/109
191,038	5/1877	Ebert	30/109
322,105	7/1885	Istel	131/250
D. 380,863	7/1997	Mikler	D27/195
D. 388,902	1/1998	Yu	D27/195
402,760	5/1889	Moos	30/109
424,307	3/1890	Keavy	131/249
494,249	3/1893	Covington	131/249
610,388	9/1898	Dykeman	30/109
653,291	7/1900	Eldred	30/109
709,209	9/1902	Dick	30/109
749,964	1/1904	Galetti	131/249

890,119	6/1908	Bennett	131/249
895,835	8/1908	Baker	131/250
961,927	6/1910	Astruck	131/233
1,083,516	1/1914	Astruck	30/109
1,294,358	2/1919	Henriot	30/112
1,502,974	7/1924	Aronson	131/233
4,027,682	6/1977	Halmaghi	131/233

OTHER PUBLICATIONS

Tabletop Cutter, SkyMall presents, p. 8.

Primary Examiner—Susan J. Lucas

Assistant Examiner—Jennifer Rivard

Attorney, Agent, or Firm—Roberts & Mercanti, L.L.P.

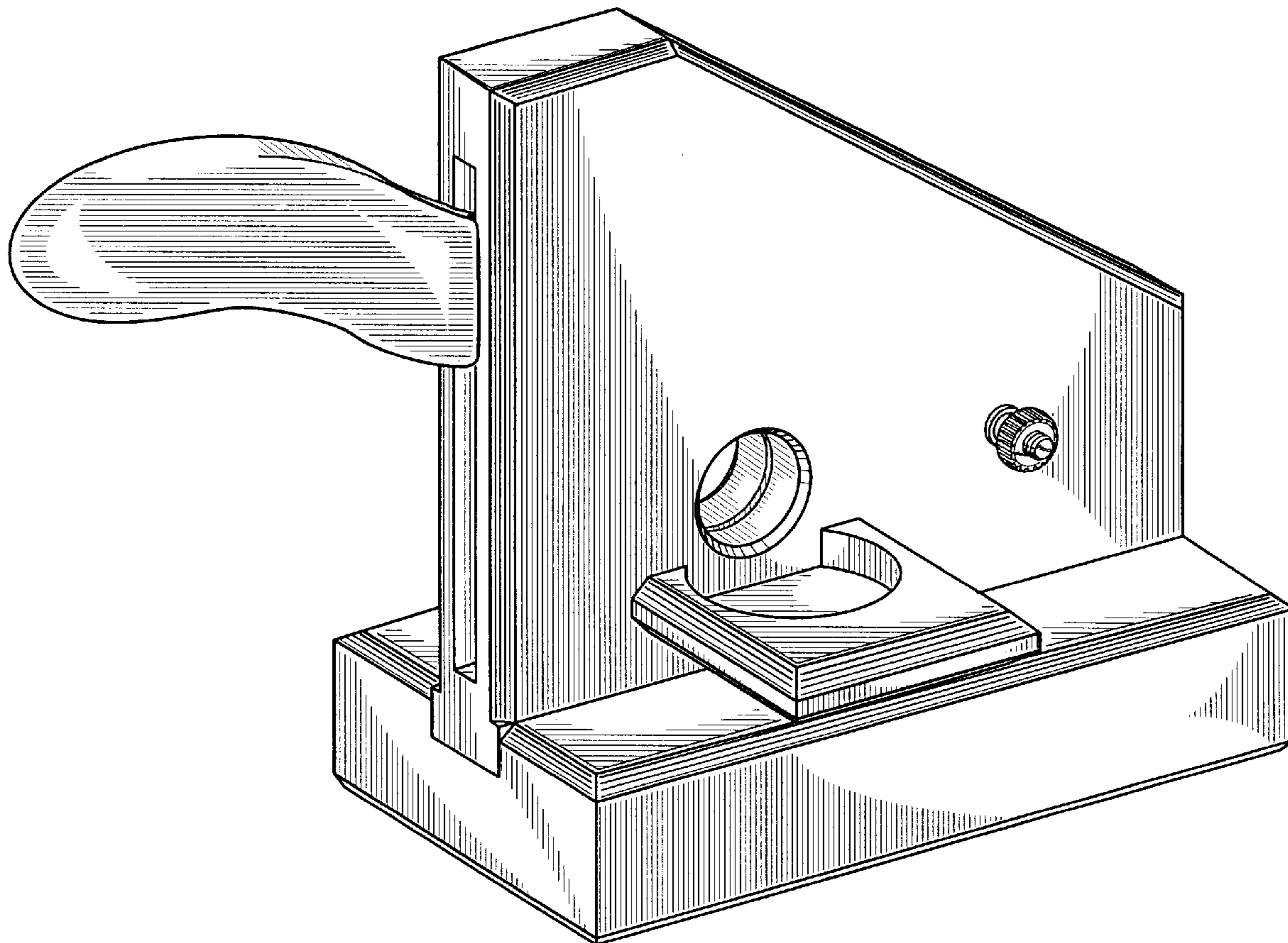
[57] CLAIM

The ornamental design for a table model cigar cutter, as shown and described.

DESCRIPTION

FIG. 1 is a perspective view of a table model cigar cutter; FIG. 2 is a right side elevational view thereof; FIG. 3 is an front elevational view thereof; FIG. 4 is a top plan view thereof; FIG. 5 is a rear elevational view thereof; FIG. 6 is a left side elevational view thereof; and, FIG. 7 is a bottom plan view thereof.

1 Claim, 3 Drawing Sheets



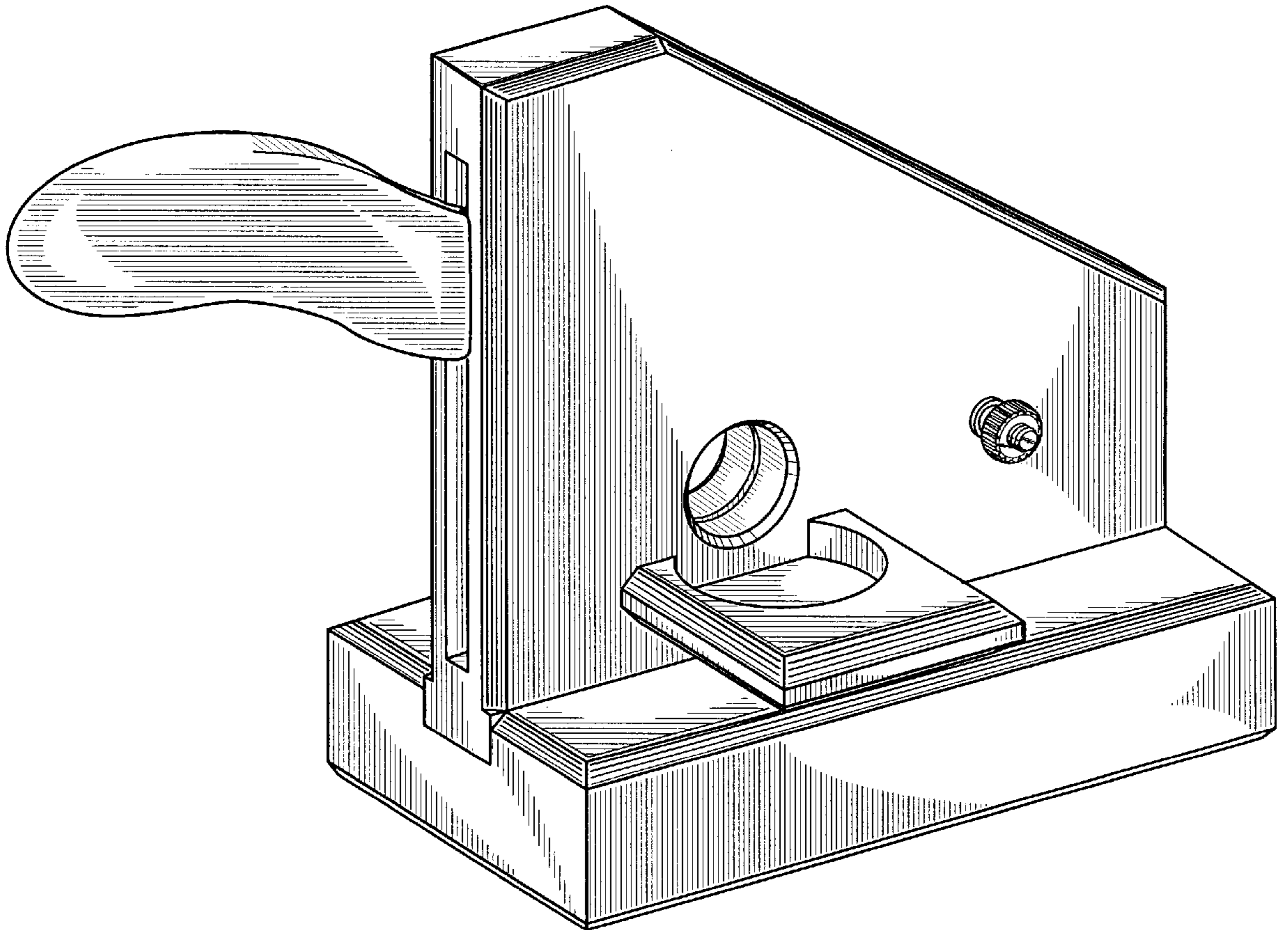


FIG. 1

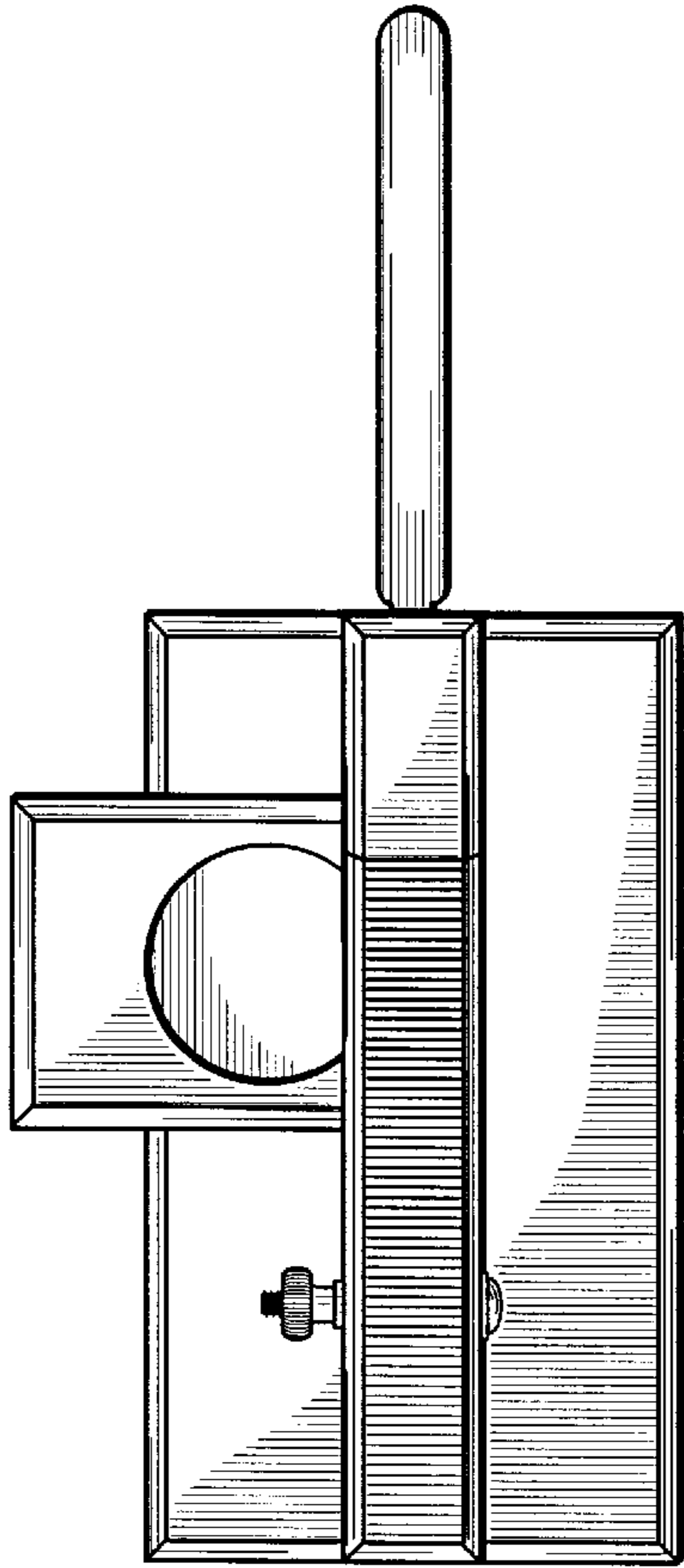


FIG. 4

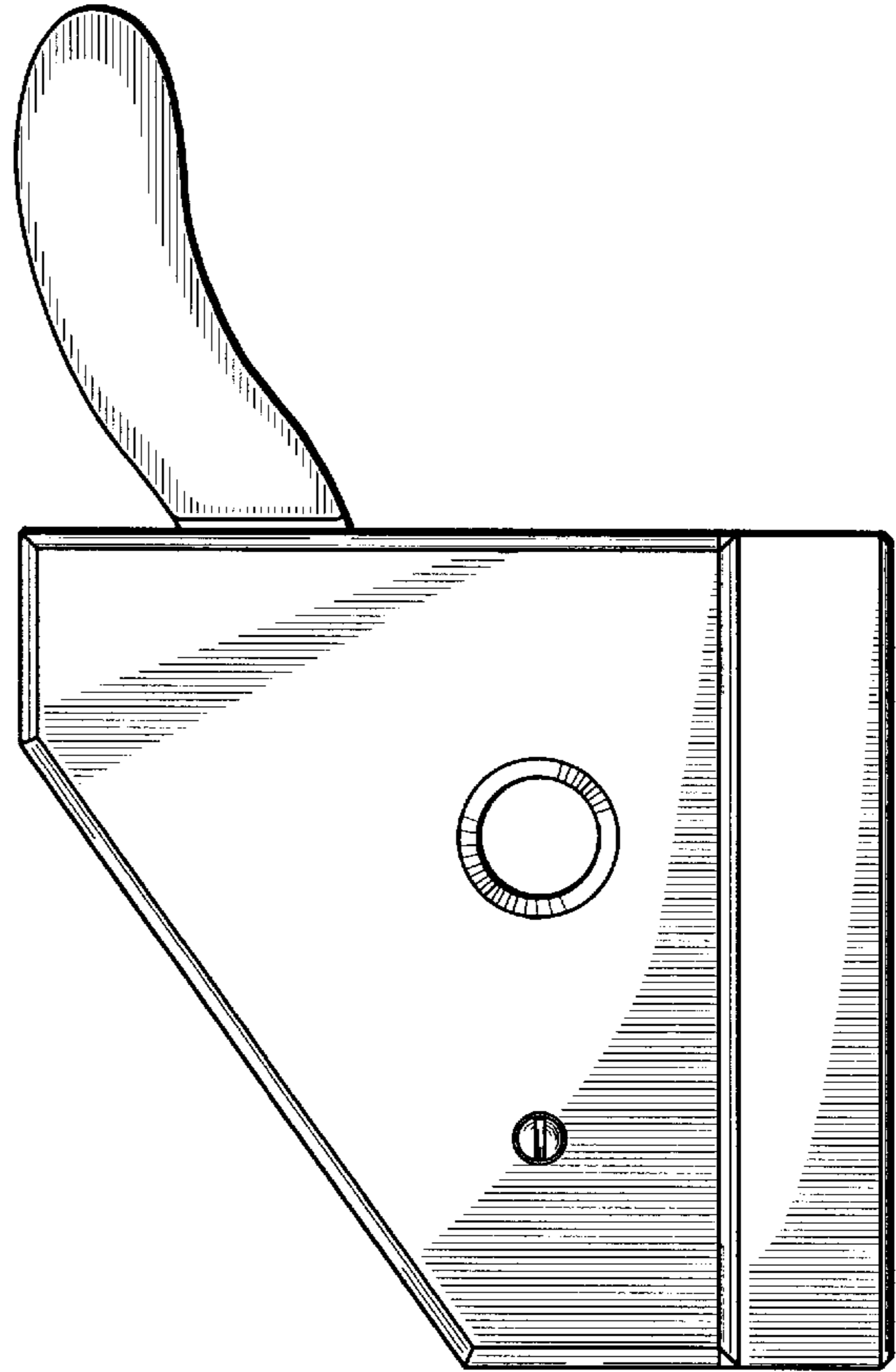


FIG. 2

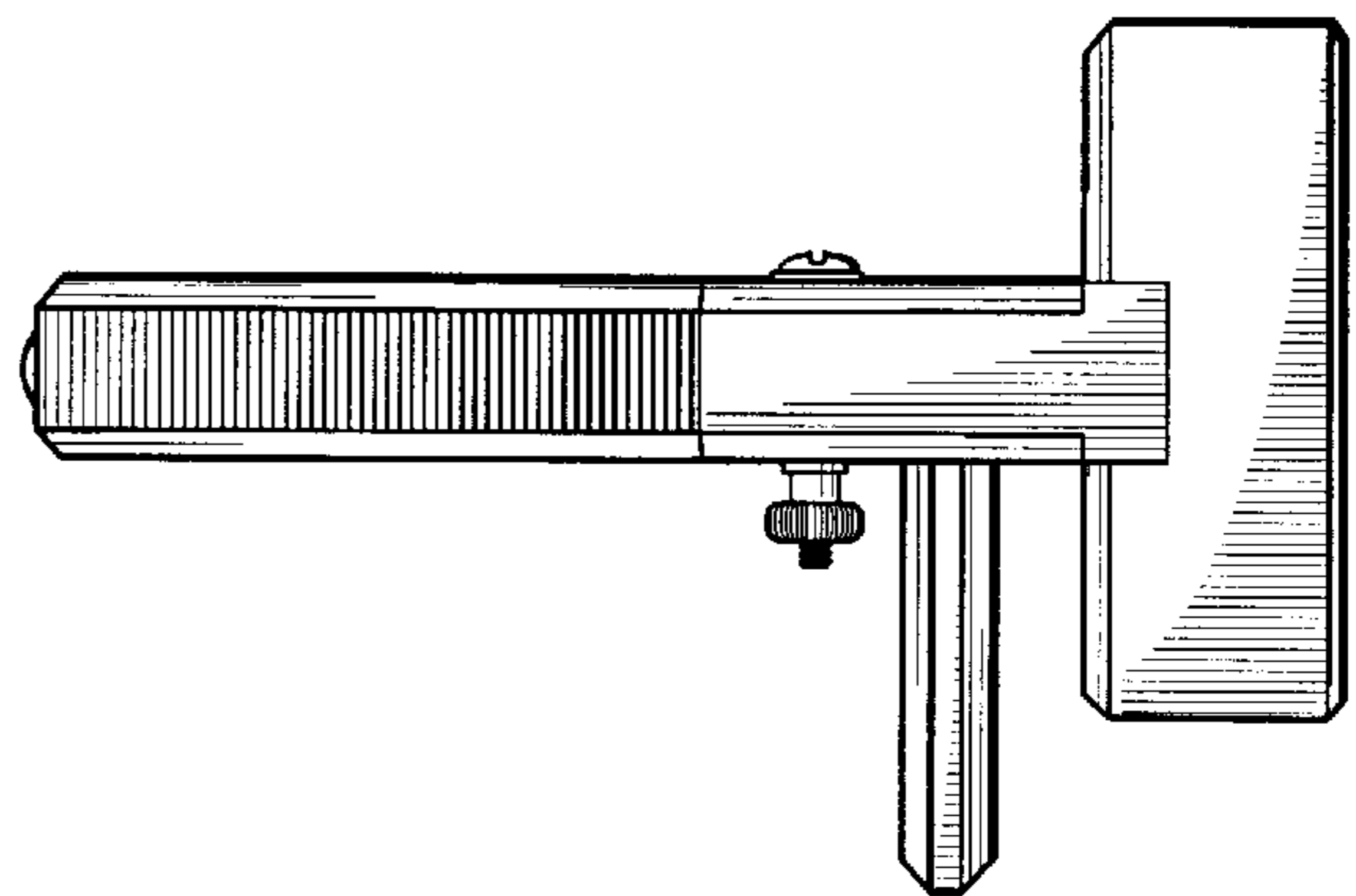


FIG. 3

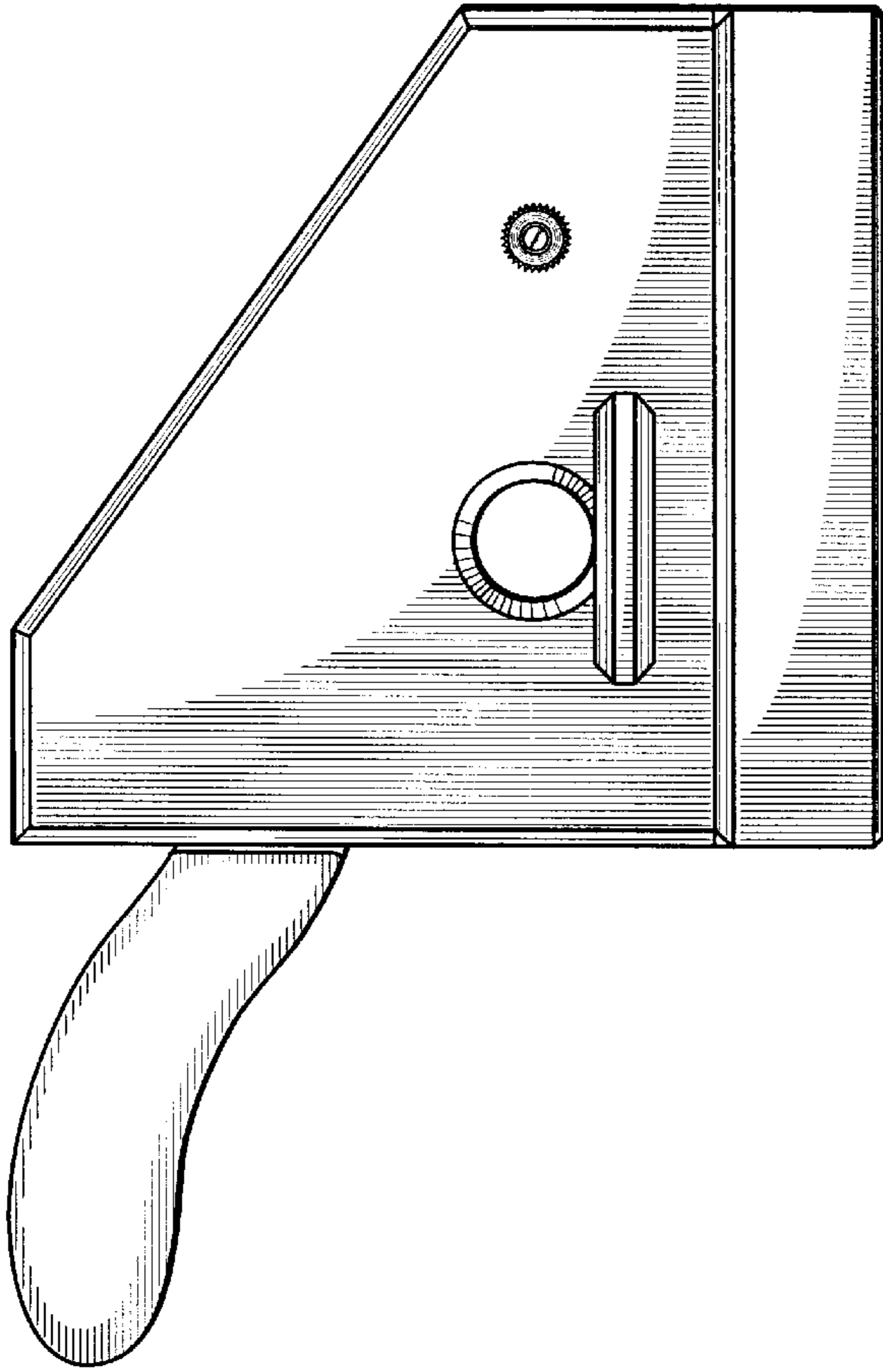


FIG. 5

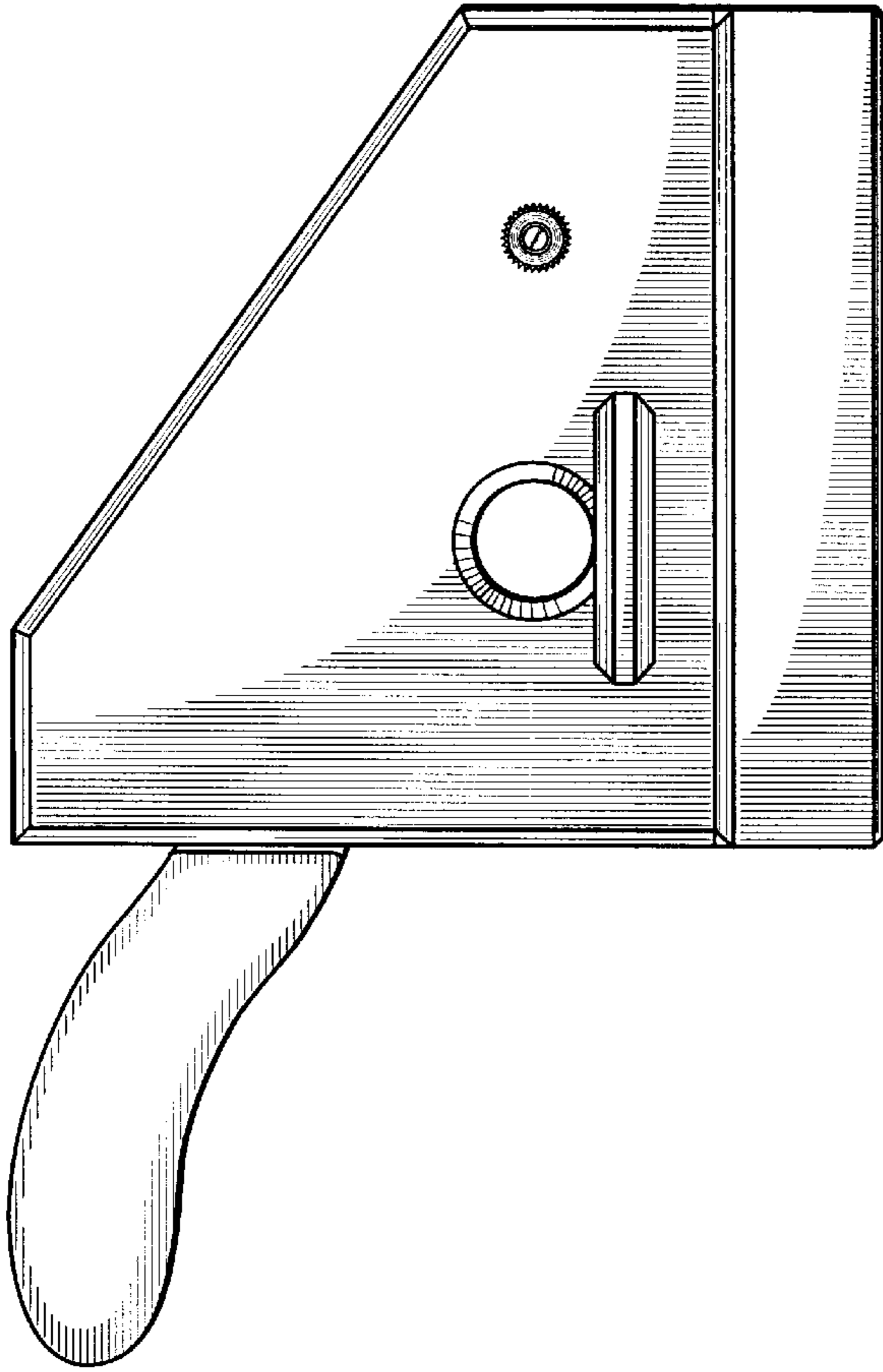


FIG. 6

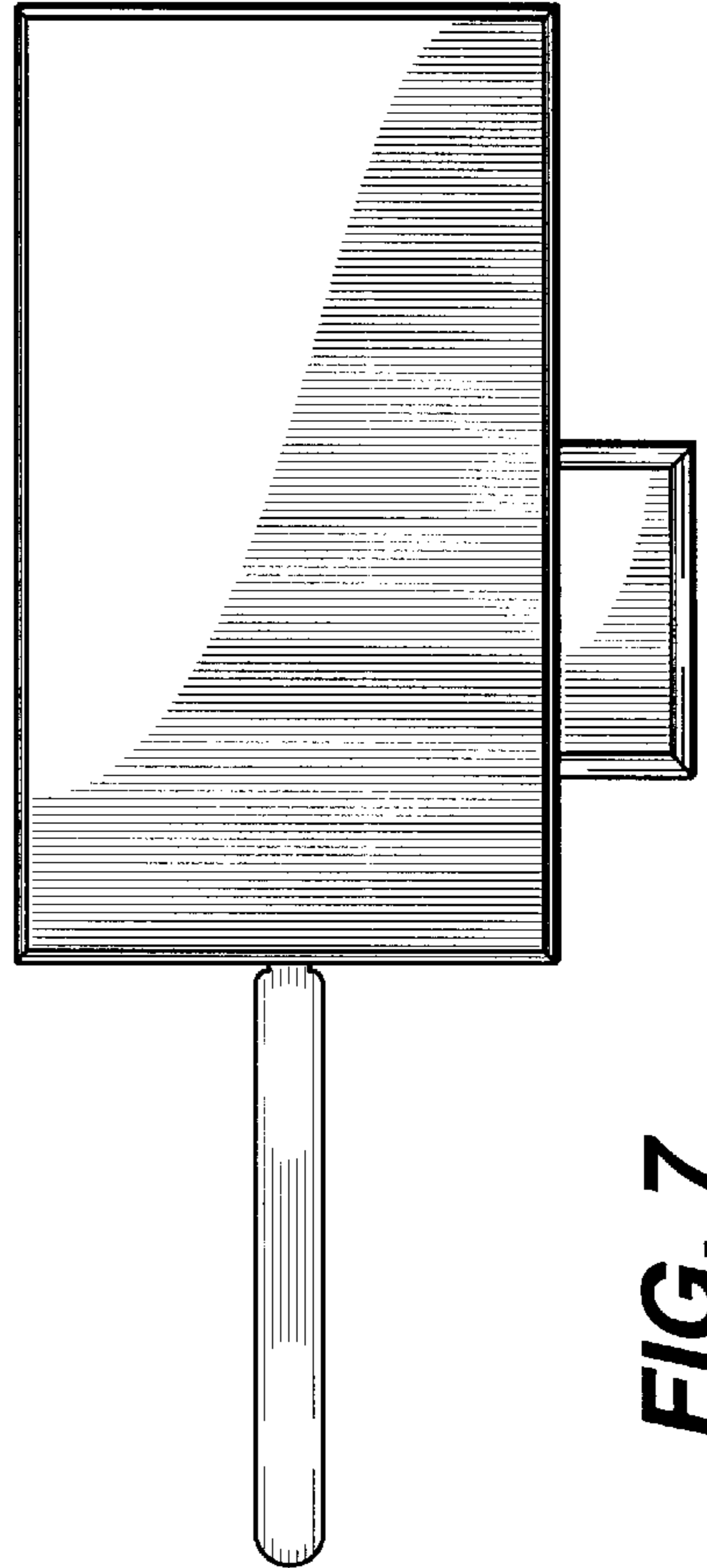


FIG. 7