



US00D408940S

United States Patent [19]
De'Armond

[11] **Patent Number: Des. 408,940**

[45] **Date of Patent: **Apr. 27, 1999**

[54] **BACKPLATE FOR A LIGHTING FIXTURE**

[75] Inventor: **Robert De'Armond**, Temecula, Calif.

[73] Assignee: **Minka Lighting, Inc.**, Corona, Calif.

[**] Term: **14 Years**

[21] Appl. No.: **29/081,371**

[22] Filed: **Dec. 31, 1997**

[51] **LOC (6) Cl.** **26-99**

[52] **U.S. Cl.** **D26/142; D8/352**

[58] **Field of Search** D26/72, 80-92,
D26/142, 143, 145, 152, 155; 362/147,
404-408, 432; D8/350, 352

[56] **References Cited**

U.S. PATENT DOCUMENTS

D. 55,242	5/1920	Bresloff	D26/145
D. 356,384	3/1995	Pickett	D26/92
D. 371,862	7/1996	Lee	D26/142
D. 391,001	2/1998	Hsu	D26/87
D. 393,099	3/1998	Dolan	D26/142

OTHER PUBLICATIONS

Thomas Lighting catalog, p. 76, backplate of fixture M-1872-59, ceiling lamp box, 1989.

Primary Examiner—Susan J. Lucas
Attorney, Agent, or Firm—Jenkins & Gilchrist, P.C.

[57] **CLAIM**

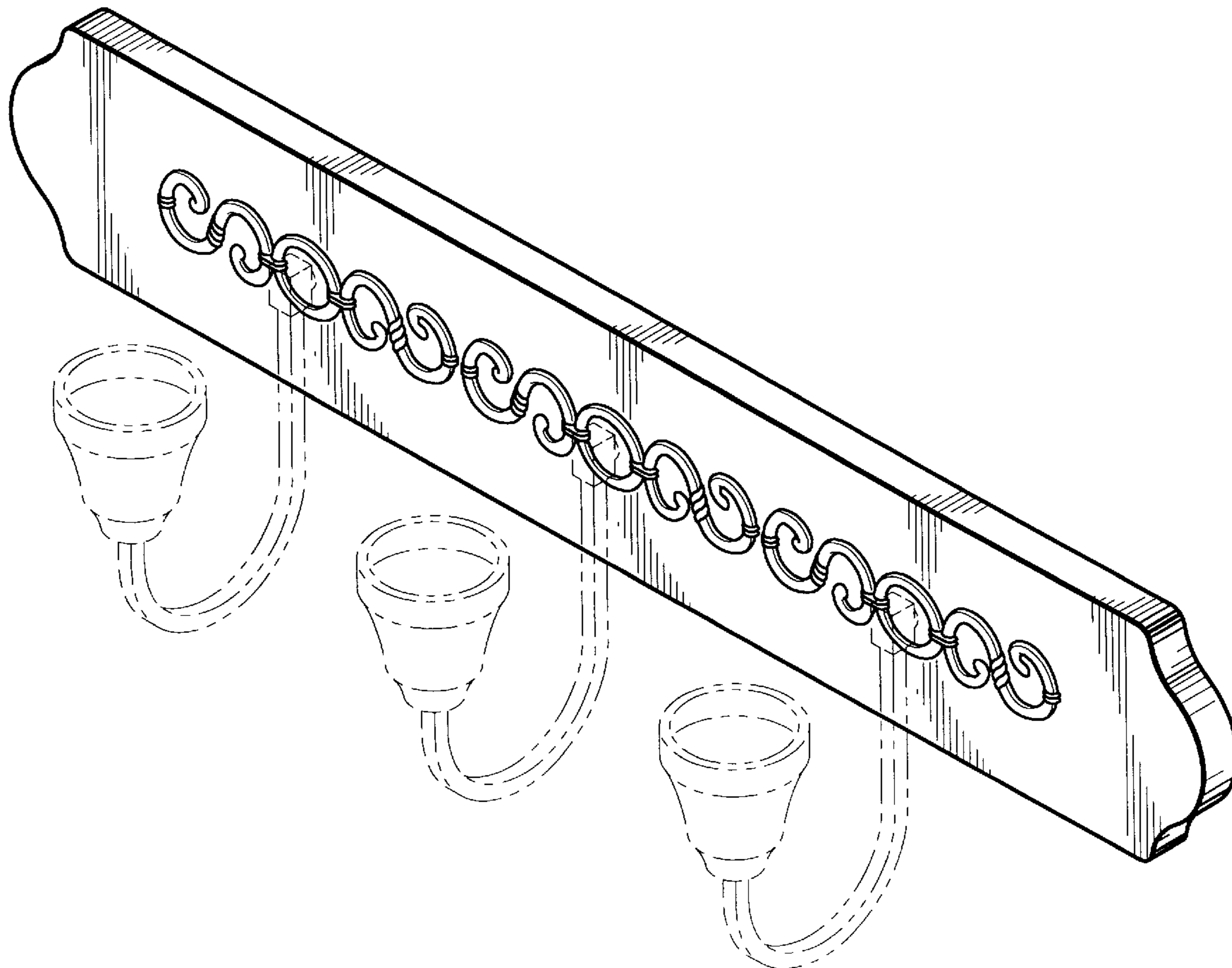
The ornamental design for the backplate for a lighting fixture, as shown and described.

DESCRIPTION

FIG. 1 is a top front perspective view of a backplate for a lighting fixture showing my design;
FIG. 2 is a front elevational view;
FIG. 3 is a right side elevational view, the left side being a mirror image of the right side;
FIG. 4 is a rear elevational view;
FIG. 5 is a top plan view; and,
FIG. 6 is a bottom plan view.

The broken lines show the environment in which the article is used and are not considered part of the design claimed.

1 Claim, 2 Drawing Sheets



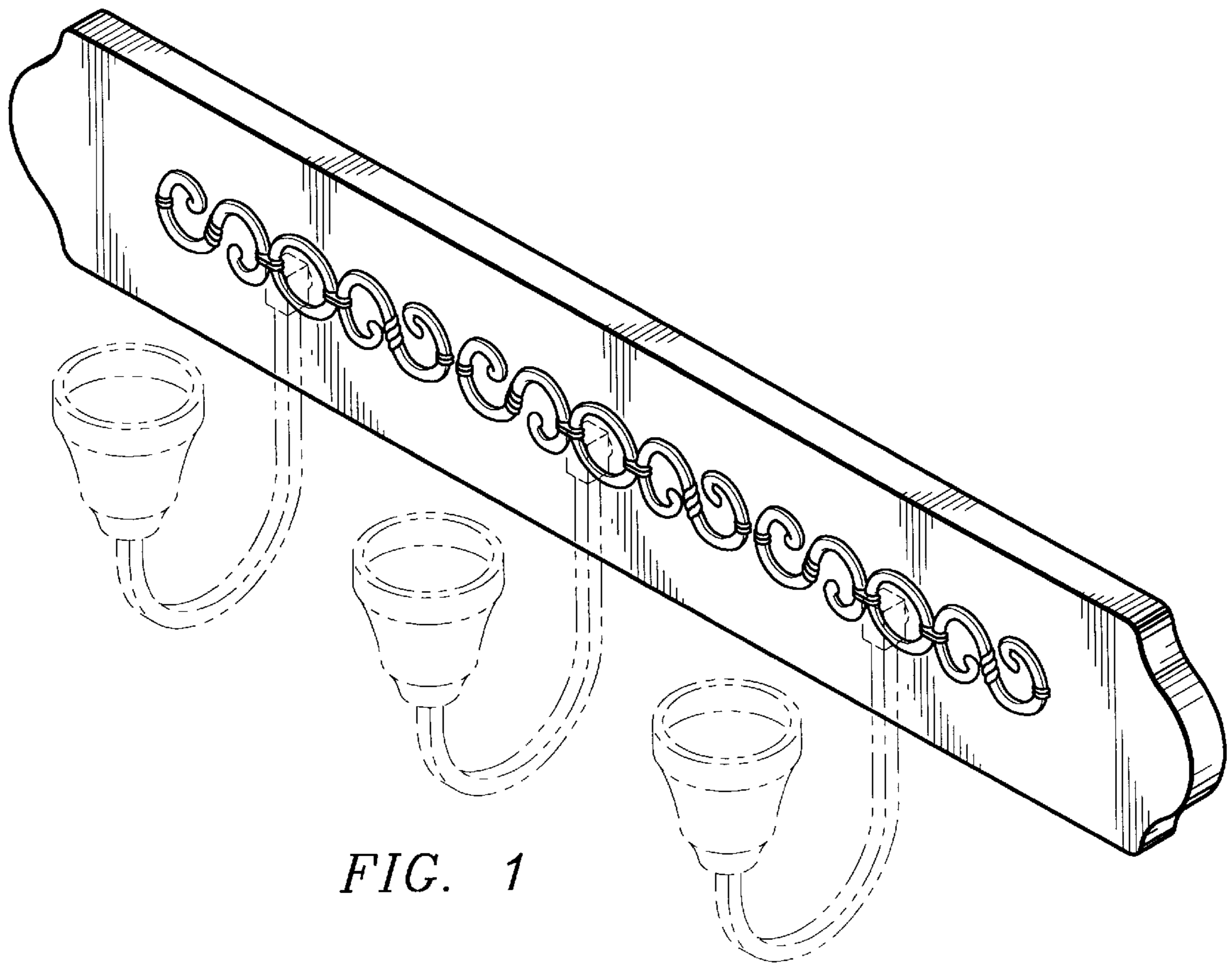


FIG. 1



FIG. 3

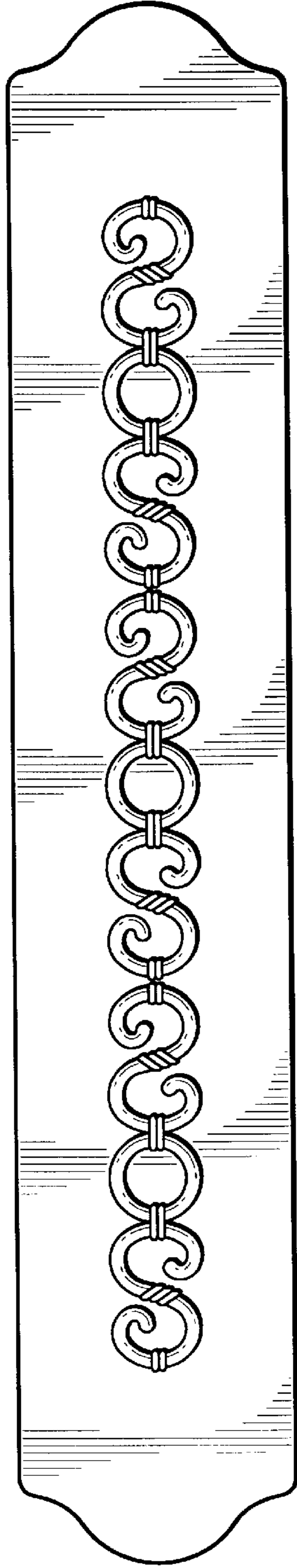


FIG. 2

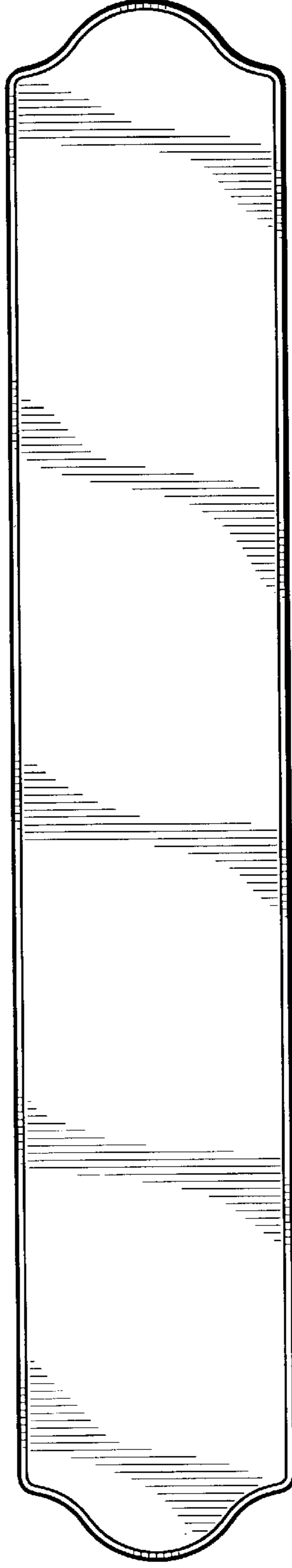


FIG. 4



FIG. 5



FIG. 6