



US00D408939S

United States Patent [19]

[11] **Patent Number: Des. 408,939**

Hsu

[45] **Date of Patent: **Apr. 27, 1999**

[54] **LAMP POST**

Primary Examiner—Doris Clark
Attorney, Agent, or Firm—Pro-Tehtor International Services

[76] **Inventor: Fu-Hsien Hsu**, No. 31, Alley 27, Lane 222, Min Sheng Rd., Hsinjwu City, Taiwan

[**] **Term: 14 Years**

[57] **CLAIM**

The ornamental design for lamp post, as shown and described.

[21] **Appl. No.: 29/084,987**

DESCRIPTION

[22] **Filed: Mar. 12, 1998**

[51] **LOC (6) Cl. 25-01**

[52] **U.S. Cl. D25/126**

[58] **Field of Search** D25/126, 131; 248/530; 52/155, 165

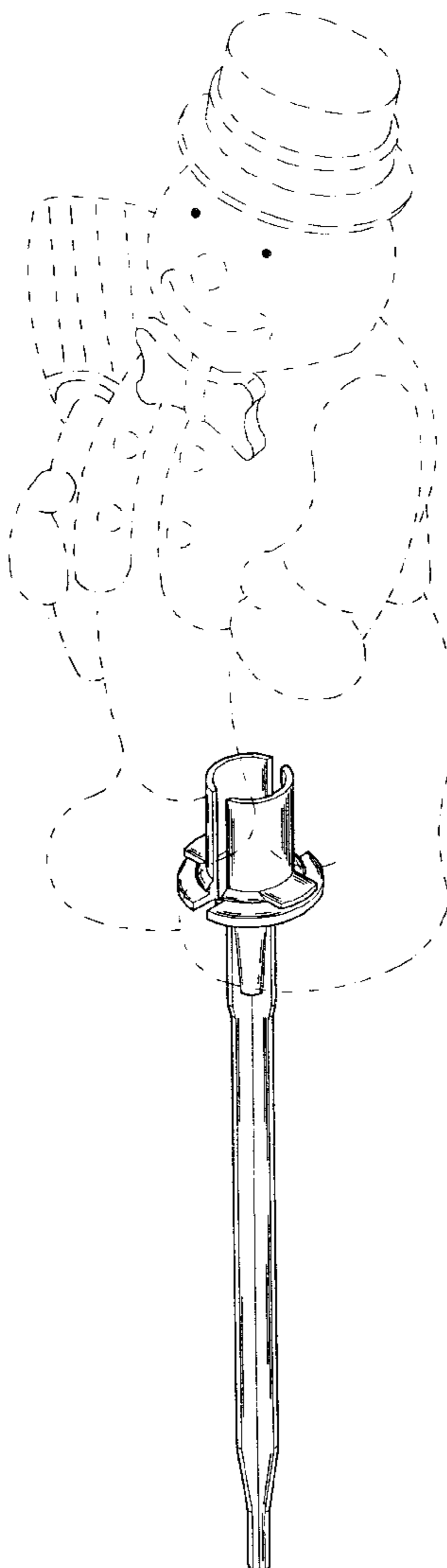
FIG. 1 is a front elevational view of the new design; FIG. 2 is a rear elevational view thereof; FIG. 3 is a left side elevational view thereof; FIG. 4 is a right side elevational view thereof; FIG. 5 is a top plan view thereof; FIG. 6 is a bottom plan view thereof; FIG. 7 is a top, left, front, perspective view thereof; and, FIG. 8 is a perspective view thereof, the broken lines are for illustrative purposes only, and form no part of the claimed design.

[56] **References Cited**

U.S. PATENT DOCUMENTS

D. 374,942	10/1996	Lee	D25/126
3,797,260	3/1974	Webb	52/155
5,165,663	11/1992	Wells	52/165
5,692,720	12/1997	Griggs	248/530

1 Claim, 5 Drawing Sheets



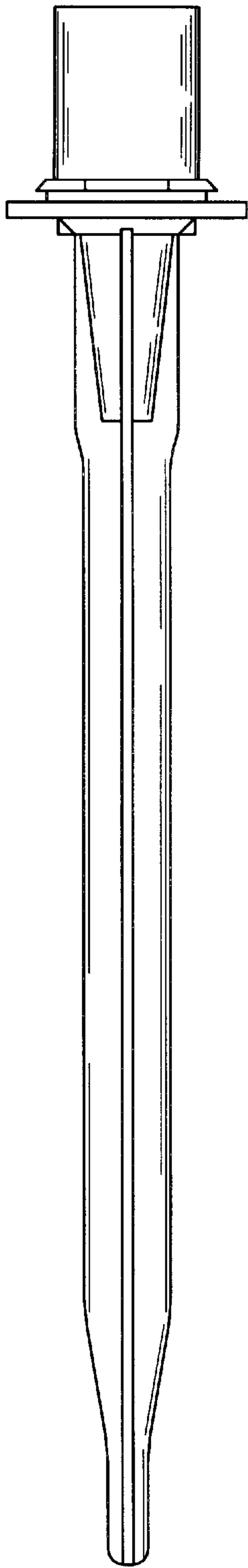


Fig. 1

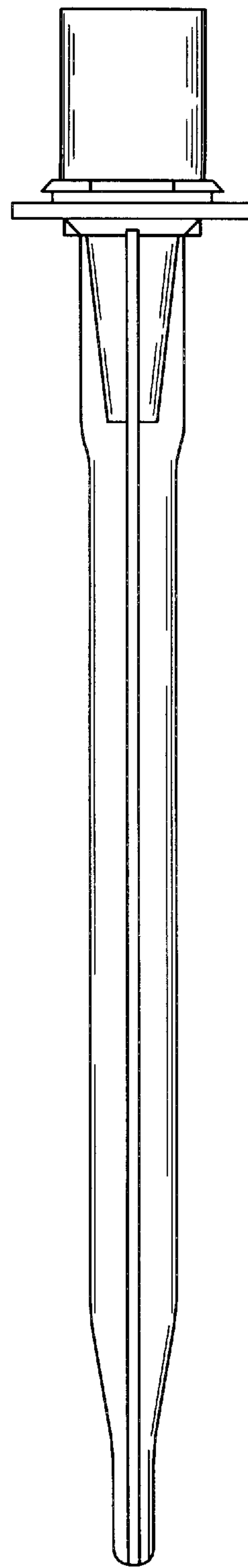


Fig. 2

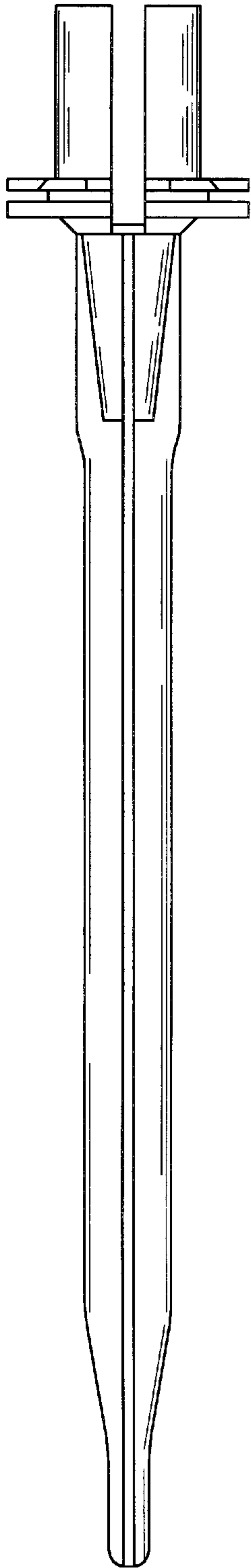


Fig. 3

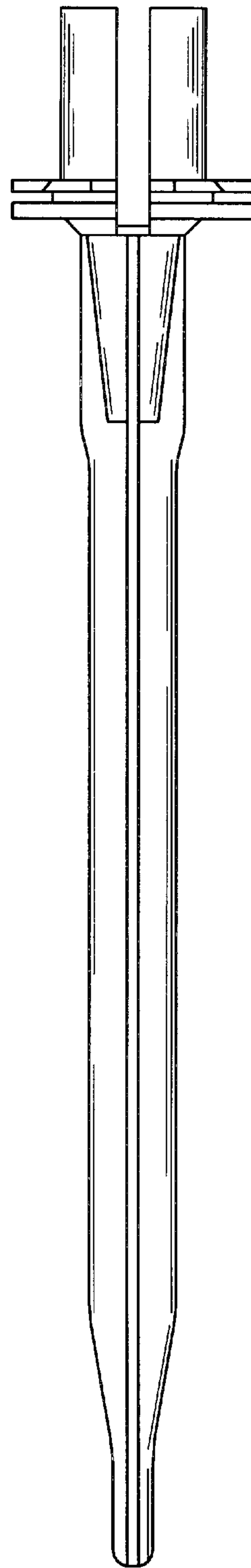


Fig. 4

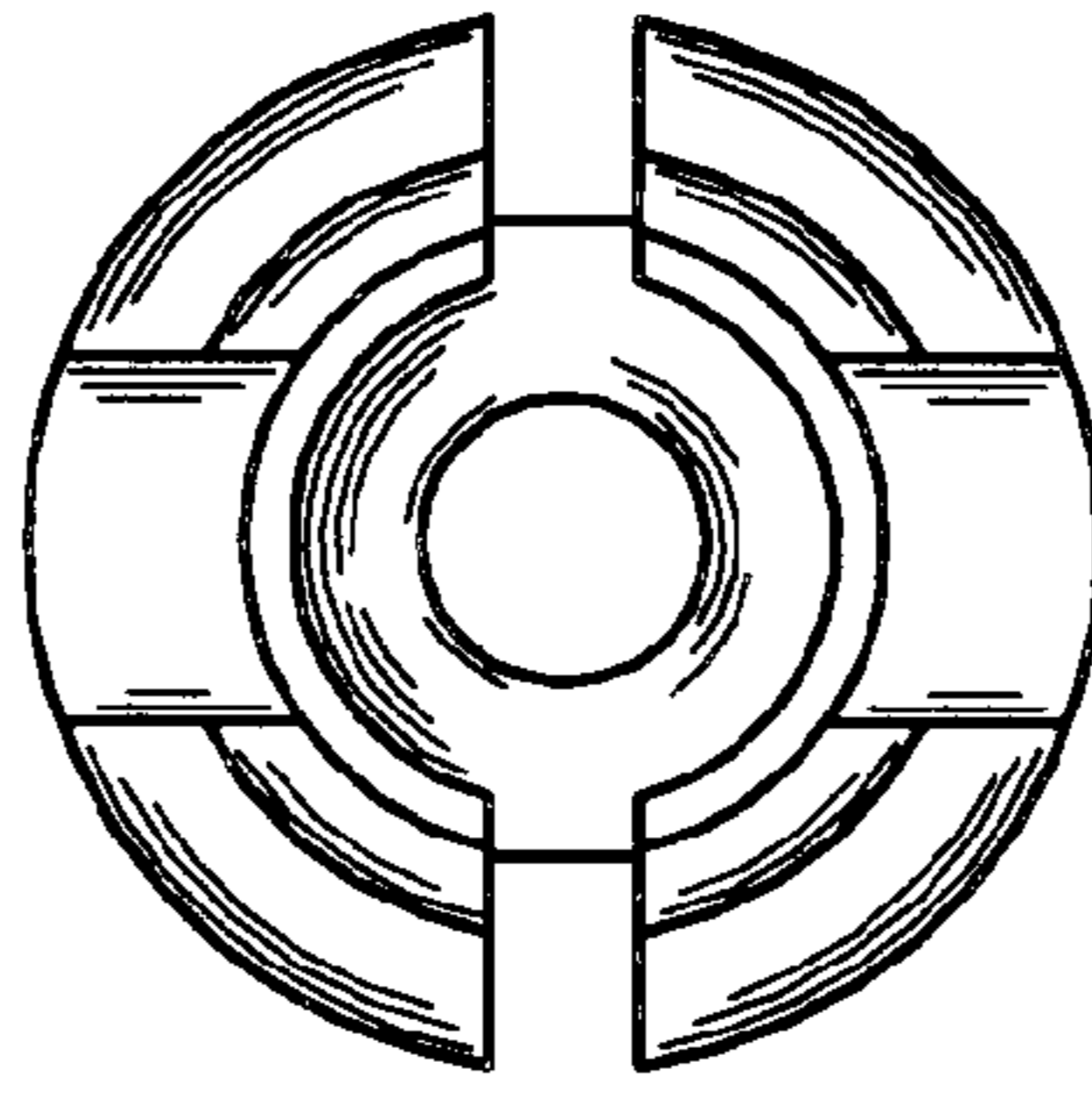


Fig.5

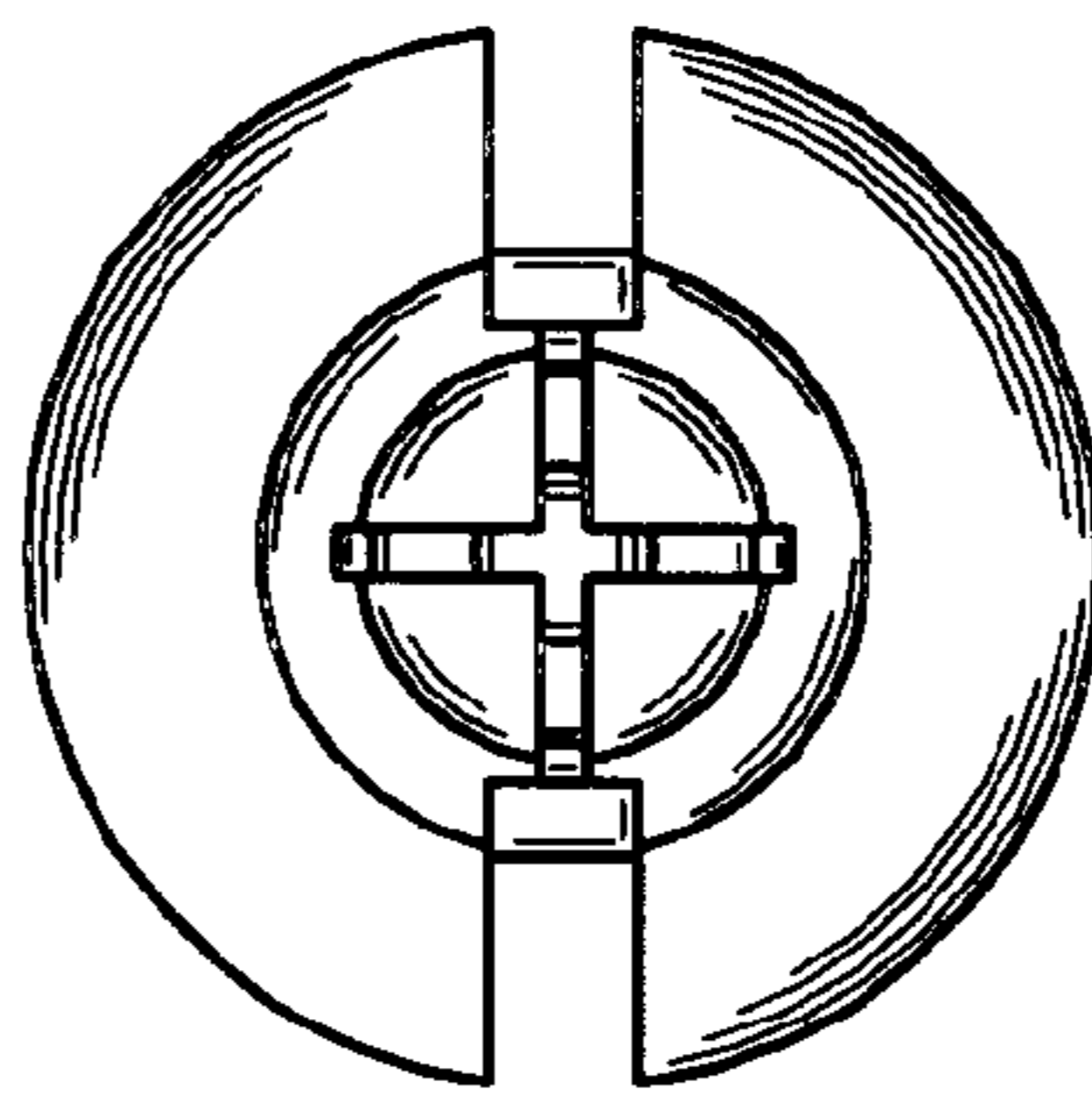


Fig.6

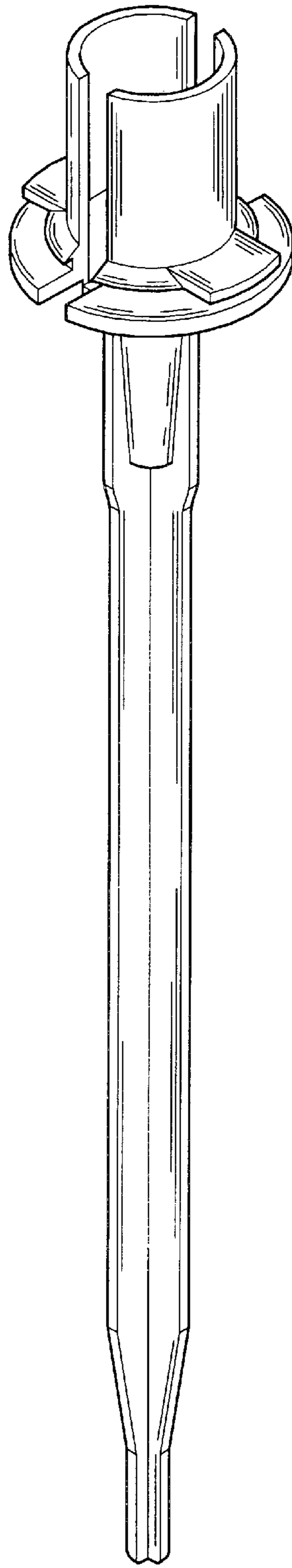


Fig. 7

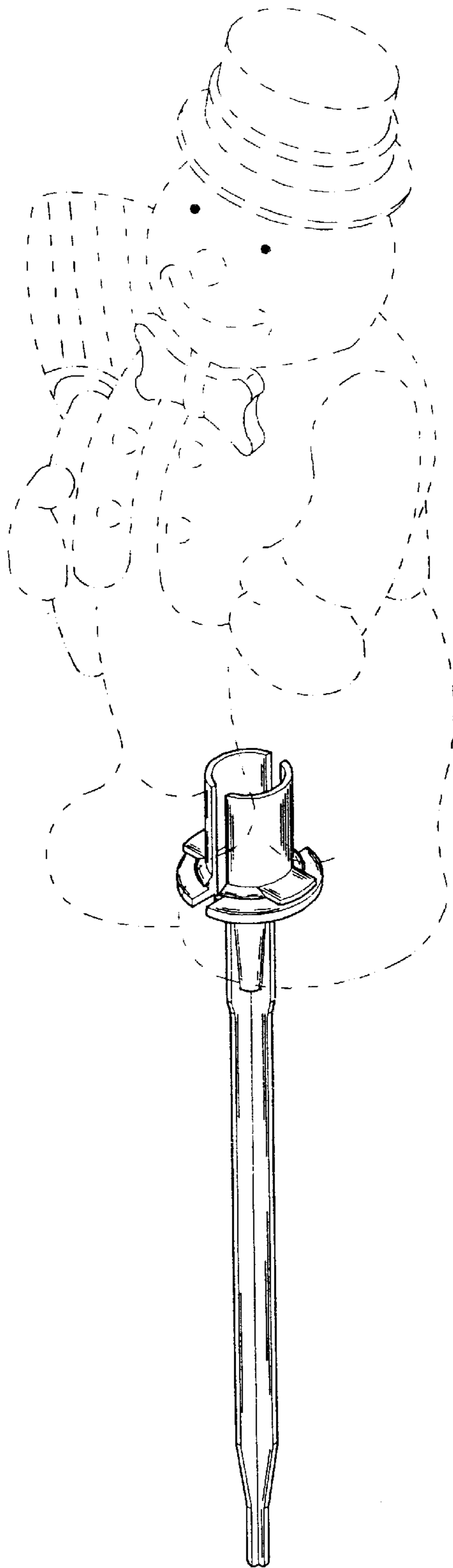


Fig.8