



US00D408937S

United States Patent [19] Waldmann

[11] **Patent Number: Des. 408,937**

[45] **Date of Patent: **Apr. 27, 1999**

[54] **ADJUSTABLE HALOGEN LAMP**

Attorney, Agent, or Firm—Eugene E. Renz, Jr.

[75] Inventor: **Gerhard Waldmann**, Dauchingen, Germany

[57] **CLAIM**

The ornamental design for an adjustable halogen lamp, as shown and described.

[73] Assignee: **Herbert Waldmann GmbH & Co.**, Germany

[**] Term: **14 Years**

DESCRIPTION

[21] Appl. No.: **29/078,954**

FIG. 1 is a right side elevational view of my design for an adjustable halogen lamp;

[22] Filed: **Oct. 14, 1997**

FIG. 2 is a left side elevational view of my design for an adjustable halogen lamp;

[30] **Foreign Application Priority Data**

Apr. 13, 1997 [DE] Germany M9703700

FIG. 3 is a perspective view as viewed from the right hand side of my design for an adjustable halogen lamp;

[51] **LOC (6) Cl.** **26-05**

[52] **U.S. Cl.** **D26/63**

FIG. 4 is a perspective view as viewed from the left side of my design for an adjustable halogen lamp;

[58] **Field of Search** D26/24, 61, 63, D26/65; 362/269, 275, 285, 287, 418, 419, 427, 428, 430

FIG. 5 is a rear elevational view of my design for an adjustable halogen lamp;

[56] **References Cited**

U.S. PATENT DOCUMENTS

D. 231,559 4/1974 Darling et al. D26/63
5,590,957 1/1997 Chen 362/419

FIG. 6 is a front elevational view of my design for an adjustable halogen lamp;

FIG. 7 is a top plan view where the foot position is turned of my design for an adjustable halogen lamp; and,

OTHER PUBLICATIONS

Sunnex Lighting catalog, p. 2, gooseneck desk lamp #701-20, Jul. 1993.

FIG. 8 is a bottom plan view of my design for an adjustable halogen lamp with the lamp head facing downwardly.

Primary Examiner—Susan J. Lucas

1 Claim, 4 Drawing Sheets



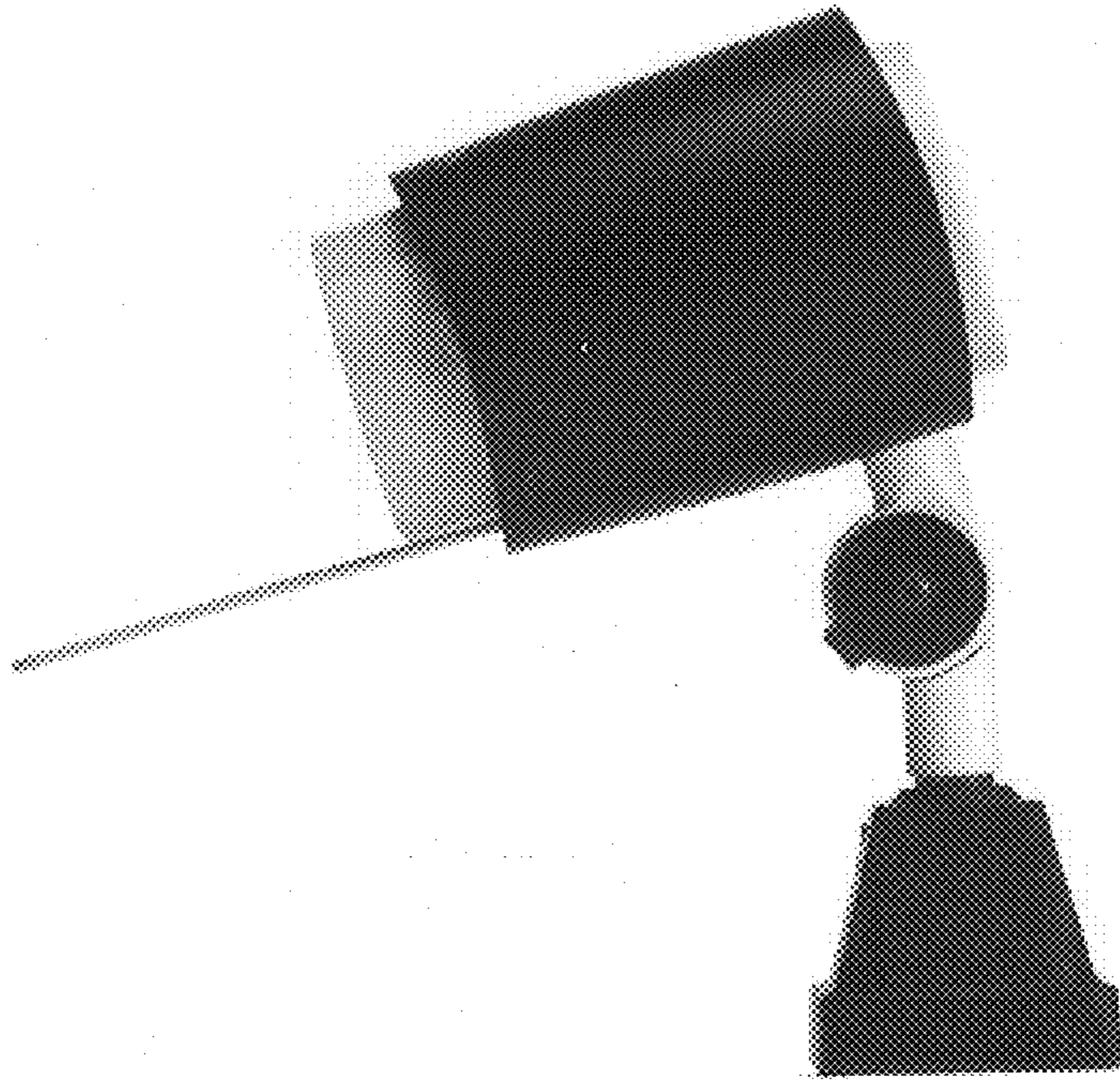


FIG. 1

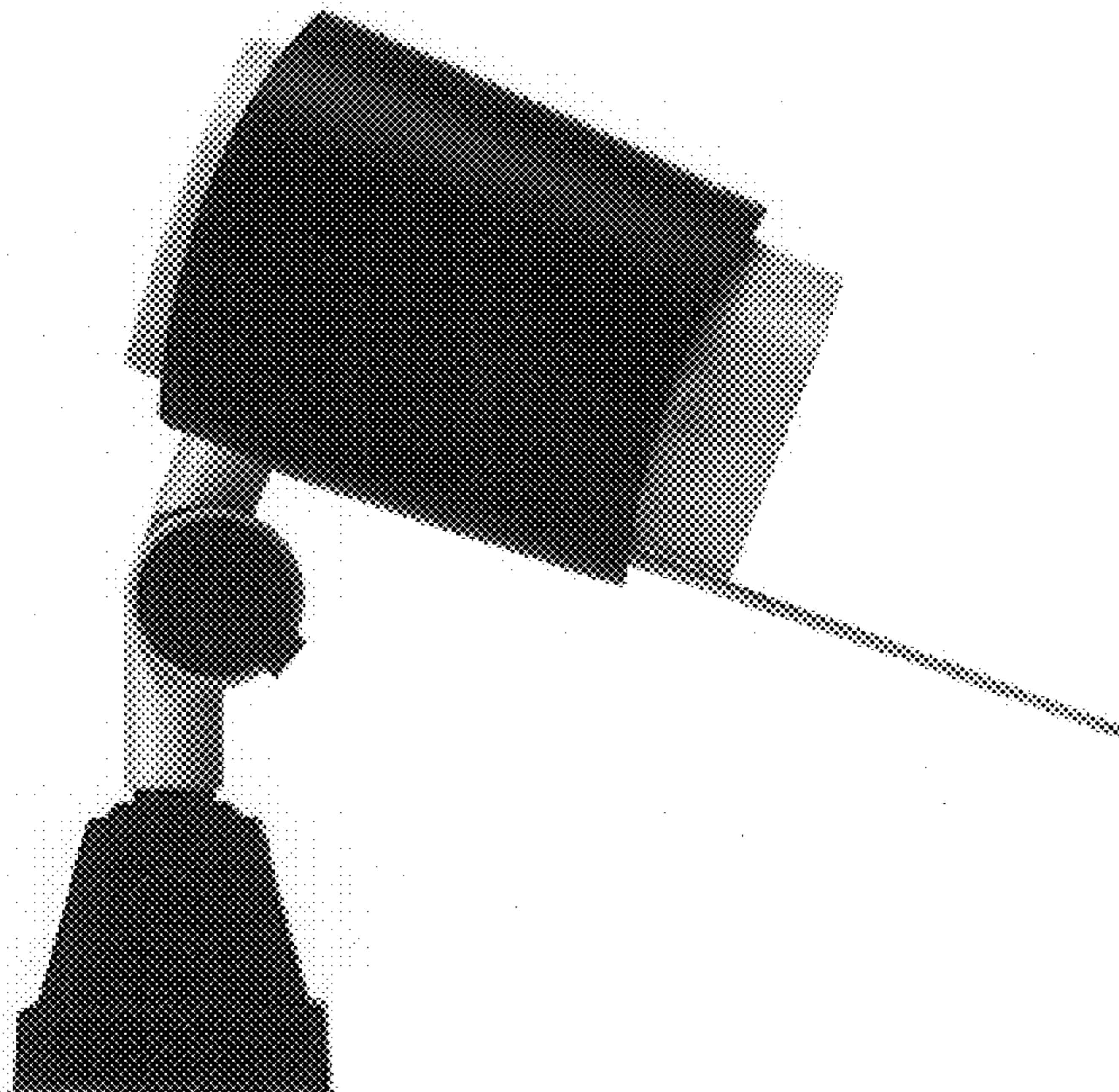


FIG. 2

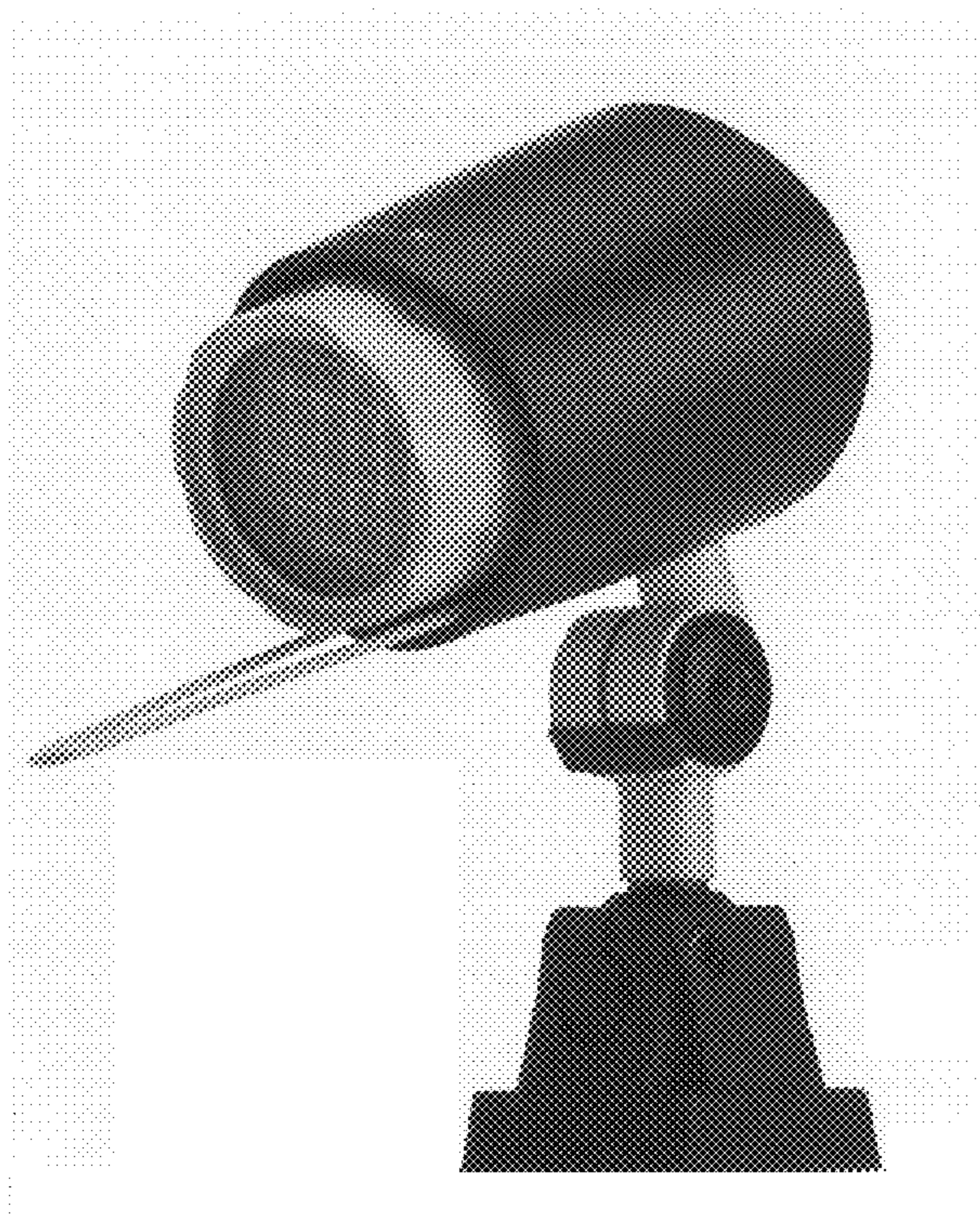


FIG. 3



FIG. 4

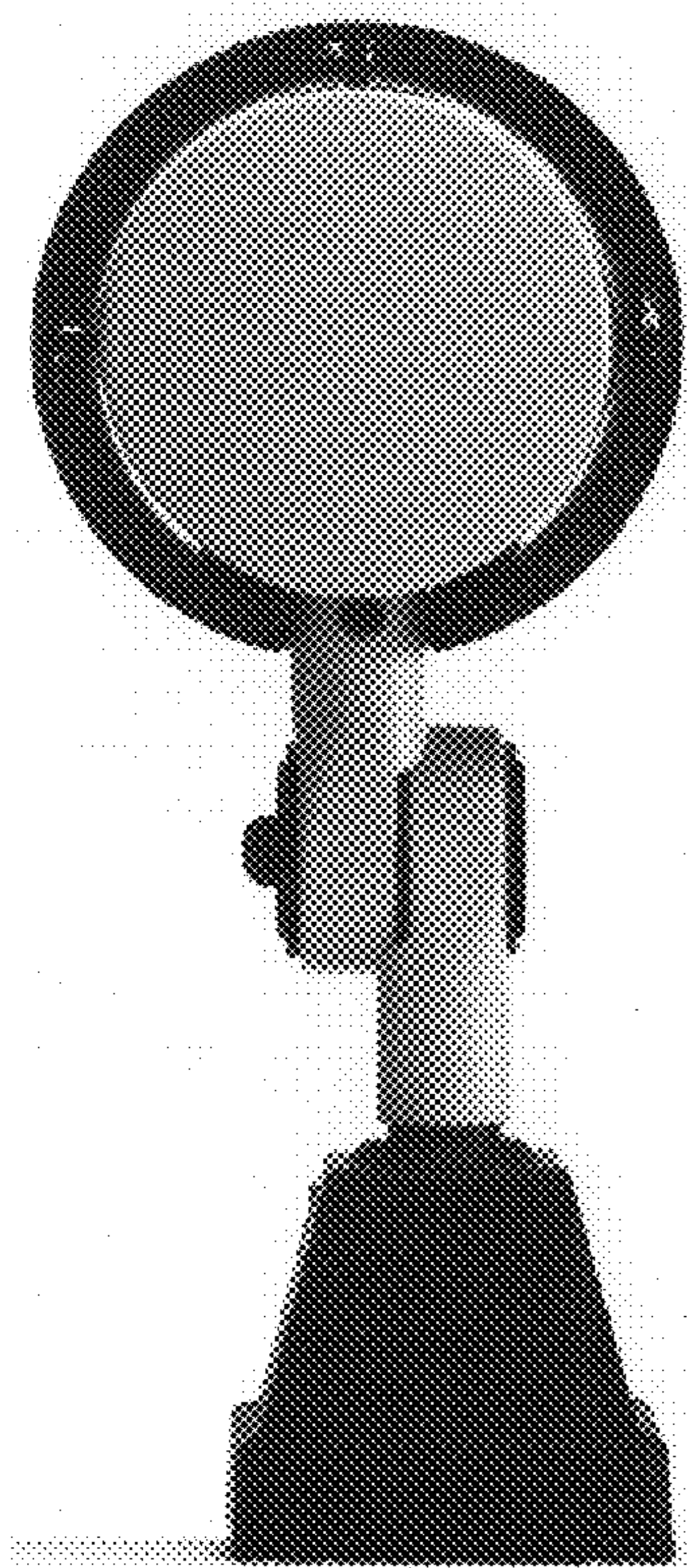


FIG. 5

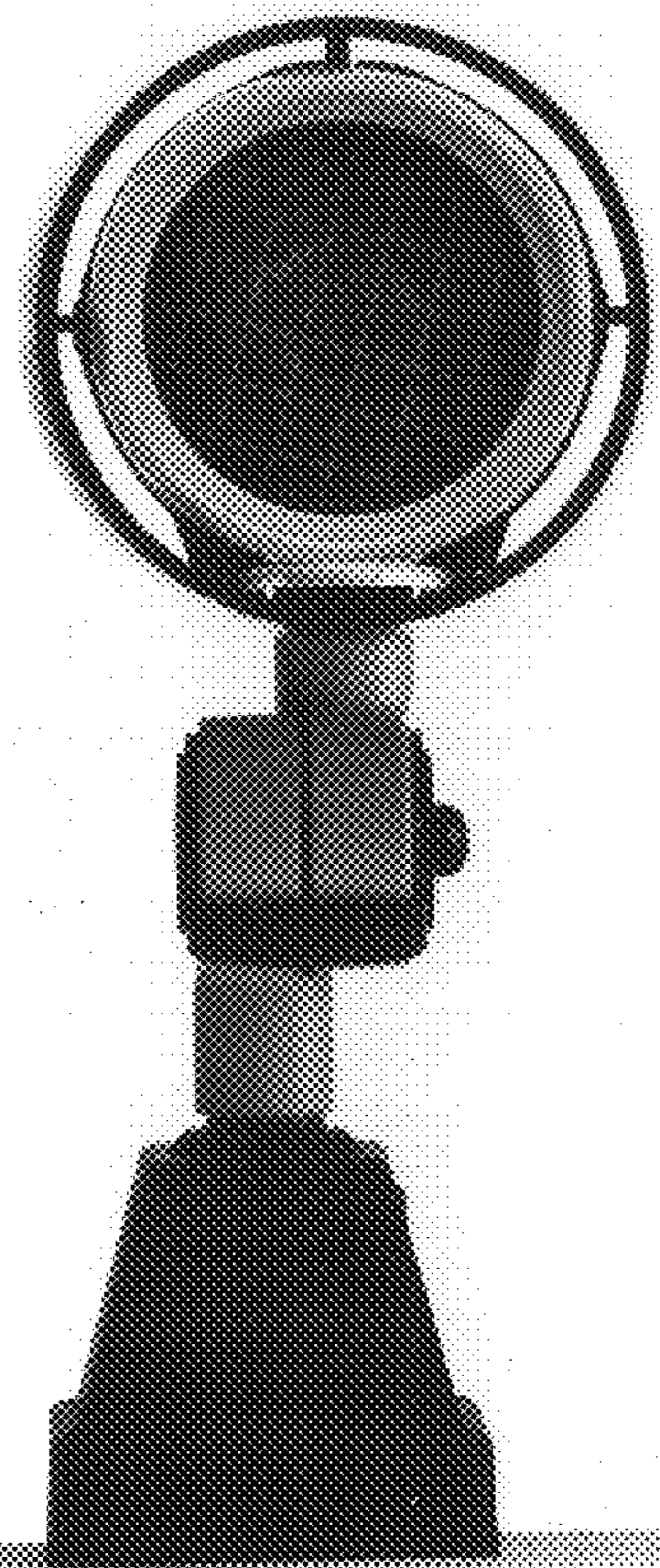


FIG. 6



FIG. 7

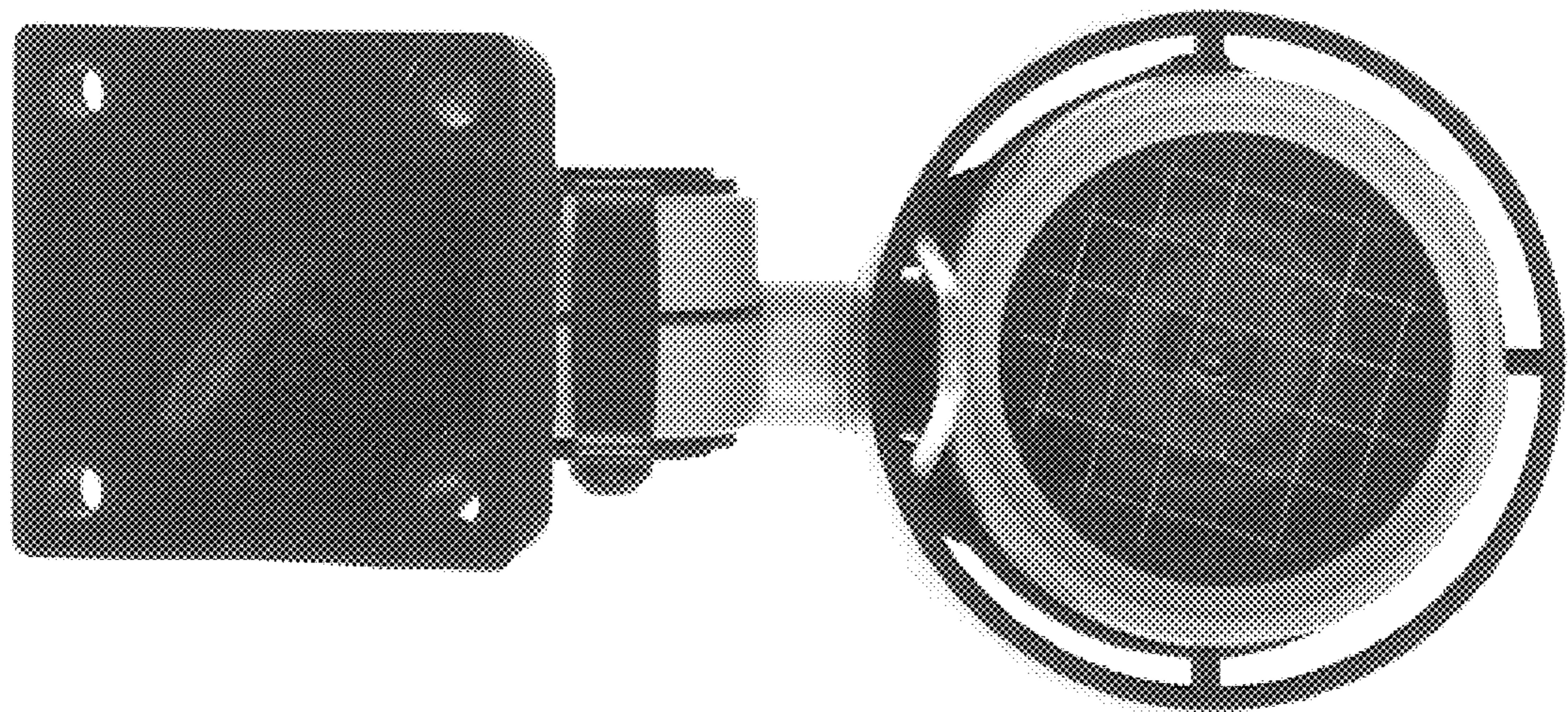


FIG. 8