



US00D408932S

United States Patent [19] Hart

[11] **Patent Number: Des. 408,932**

[45] **Date of Patent: **Apr. 27, 1999**

[54] **WINDOW OR DOOR FRAME ADAPTER
COMPONENT**

[75] Inventor: **Keith Hart**, Newmarket, Canada

[73] Assignees: **Majestic Plastics Ltd.; Joyce
Manufacturing Company Inc.**, both of
Weston, Canada

[**] Term: **14 Years**

[21] Appl. No.: **29/085,536**

[22] Filed: **Mar. 25, 1998**

[51] **LOC (6) Cl.** **25-01**

[52] **U.S. Cl.** **D25/122**

[58] **Field of Search** D25/119-124,
D25/60, 52, 199, 102; 49/504, 505, DIG. 2;
52/204.5, 204.56, 204.51, 204.1, 730.3,
204.71, 204.72, 726.1

[56] **References Cited**

U.S. PATENT DOCUMENTS

D. 237,264 10/1975 Edwards D25/122
1,085,429 1/1914 Kahn D25/121
3,434,358 3/1969 Leurent D25/122

Primary Examiner—Doris Clark

[57] **CLAIM**

The ornamental design for a window or door frame adapter component, as shown and described.

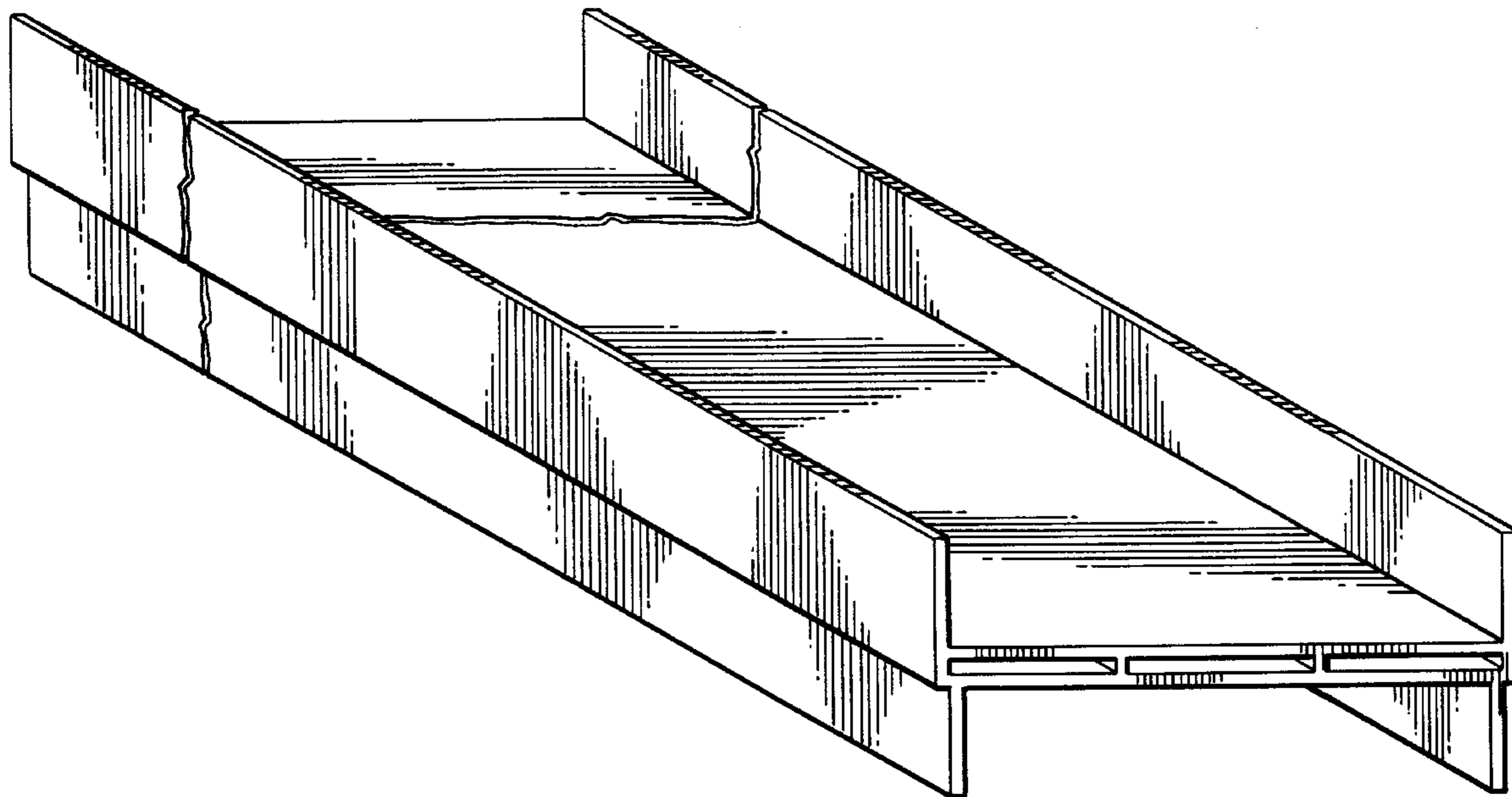
DESCRIPTION

FIG. 1 is a perspective view of the window or door frame adapter component; and,

FIG. 2 is an end view of the window or door frame adapter component.

The window or door frame adapter component of FIG. 1 is broken away to indicate indefinite length.

1 Claim, 1 Drawing Sheet



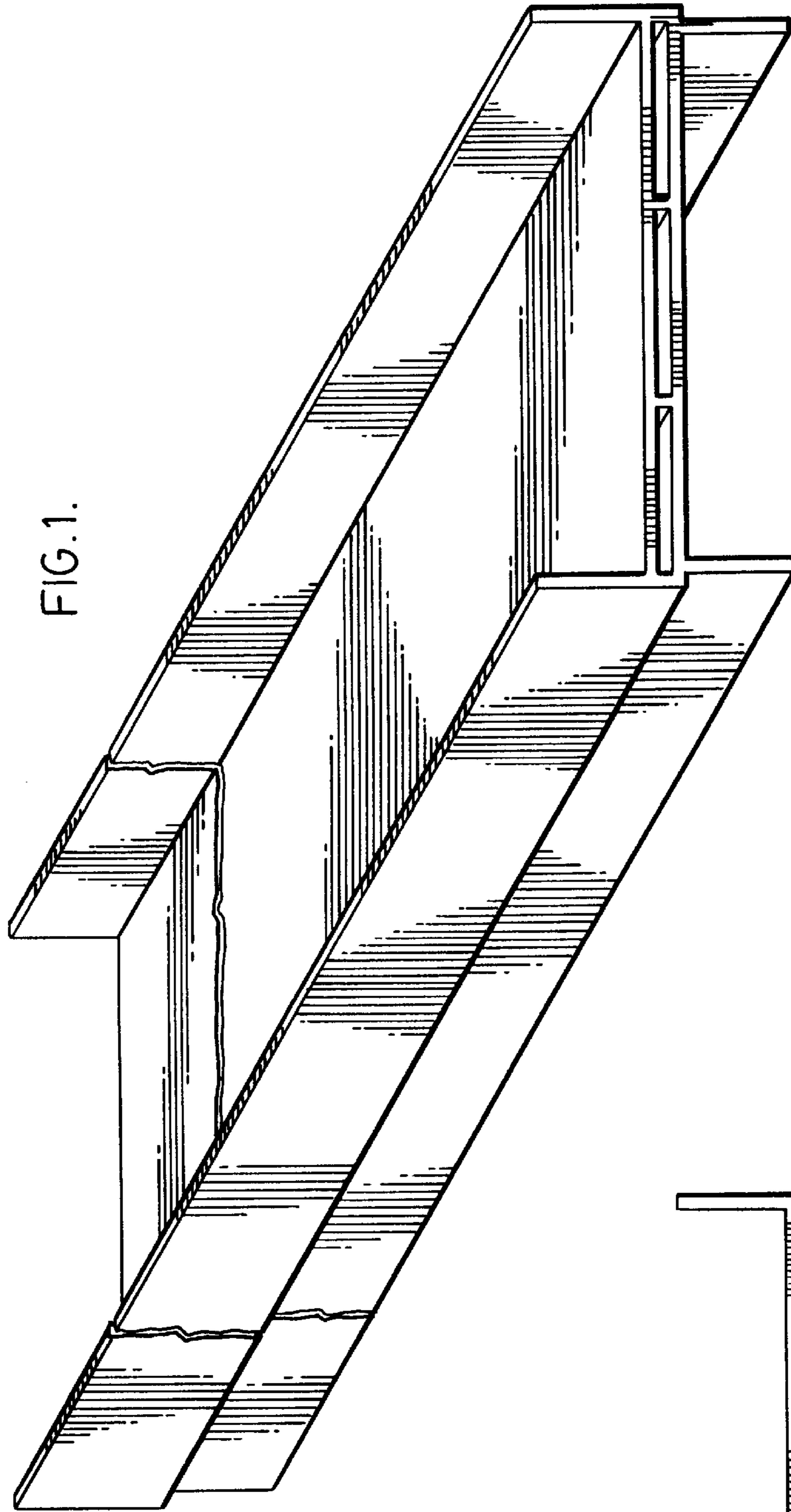


FIG. 1.

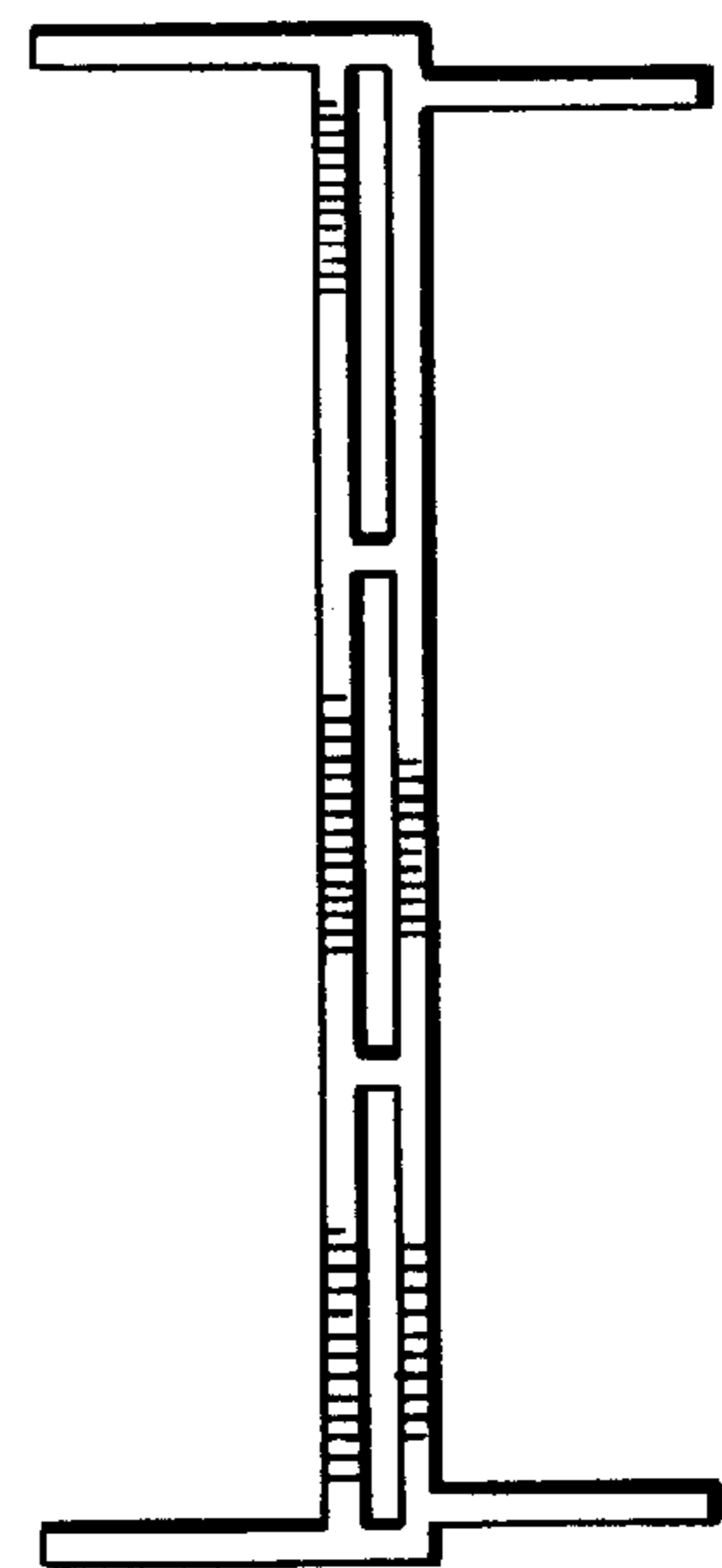


FIG. 2.