



US00D408931S

United States Patent [19]

Ito et al.

[11] **Patent Number: Des. 408,931**

[45] **Date of Patent: **Apr. 27, 1999**

[54] **EXTRUSION**

[75] Inventors: **Tsutomu Ito**, Marietta; **Michael L. Turner**, Dallas, both of Ga.; **Toshimasa Kusunoki**, Uozu, Japan

[73] Assignee: **YKK Corporation of America**, Ga.

[**] Term: **14 Years**

[21] Appl. No.: **29/068,065**

[22] Filed: **Mar. 21, 1997**

[51] **LOC (6) Cl.** **25-01**

[52] **U.S. Cl.** **D25/119**

[58] **Field of Search** D25/60, 52, 119-125; 49/504, 501, DIG. 1, DIG. 2; 52/204.5

[56] **References Cited**

U.S. PATENT DOCUMENTS

D. 345,429	3/1994	Bancroft	D25/119
3,859,754	1/1975	Budich et al.	52/204.5

Primary Examiner—Doris Clark

Attorney, Agent, or Firm—Finnegan, Henderson, Farabow, Garrett & Dunner, L.L.P.

[57] **CLAIM**

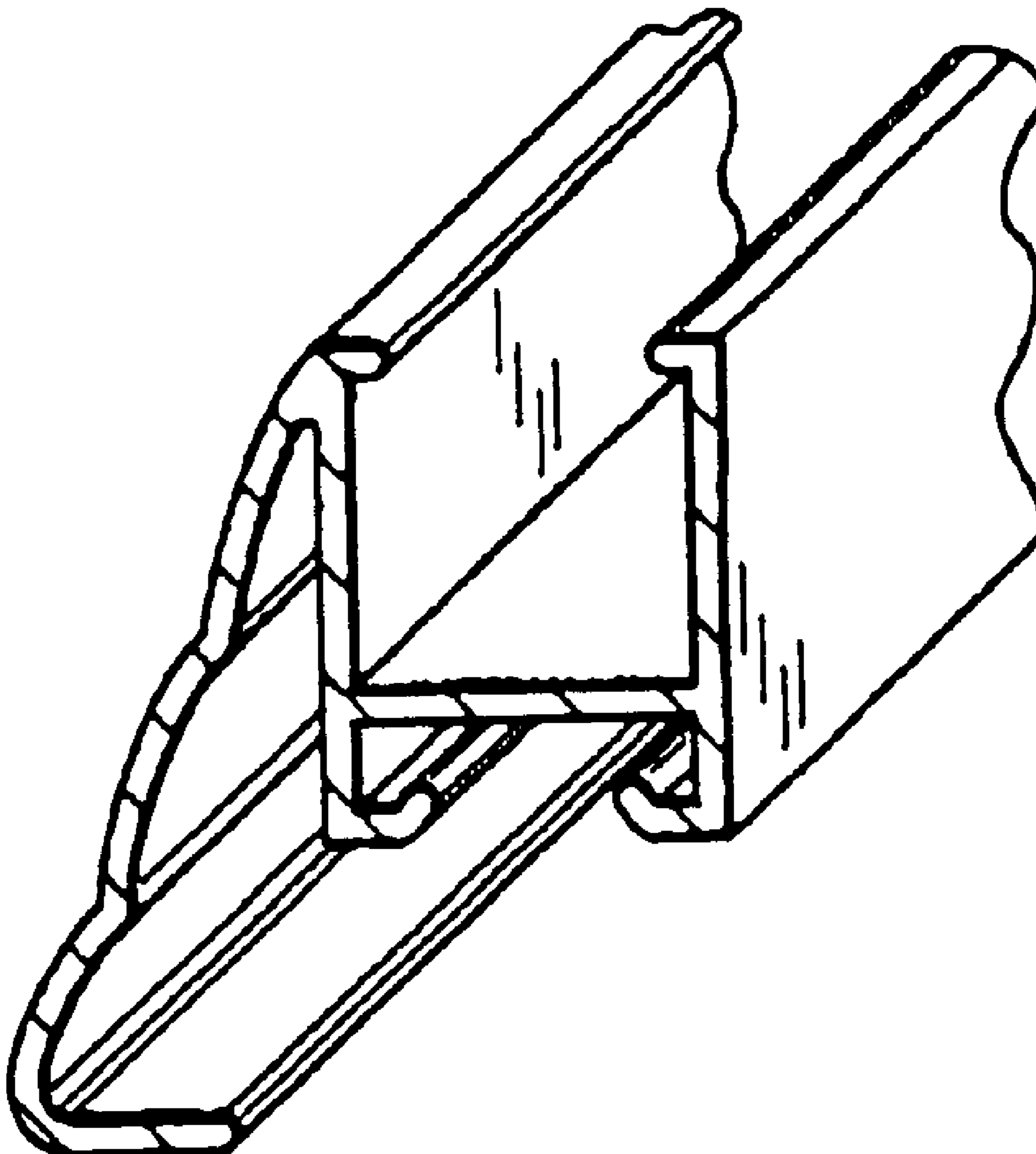
The ornamental design for an extrusion, as shown and described.

DESCRIPTION

FIG. 1 is a fragmentary perspective view of our design of an extrusion shown in cross section, the extrusion having the same cross-sectional shape along its length and being of indefinite length; and,

FIG. 2 is the front view thereof.

1 Claim, 1 Drawing Sheet



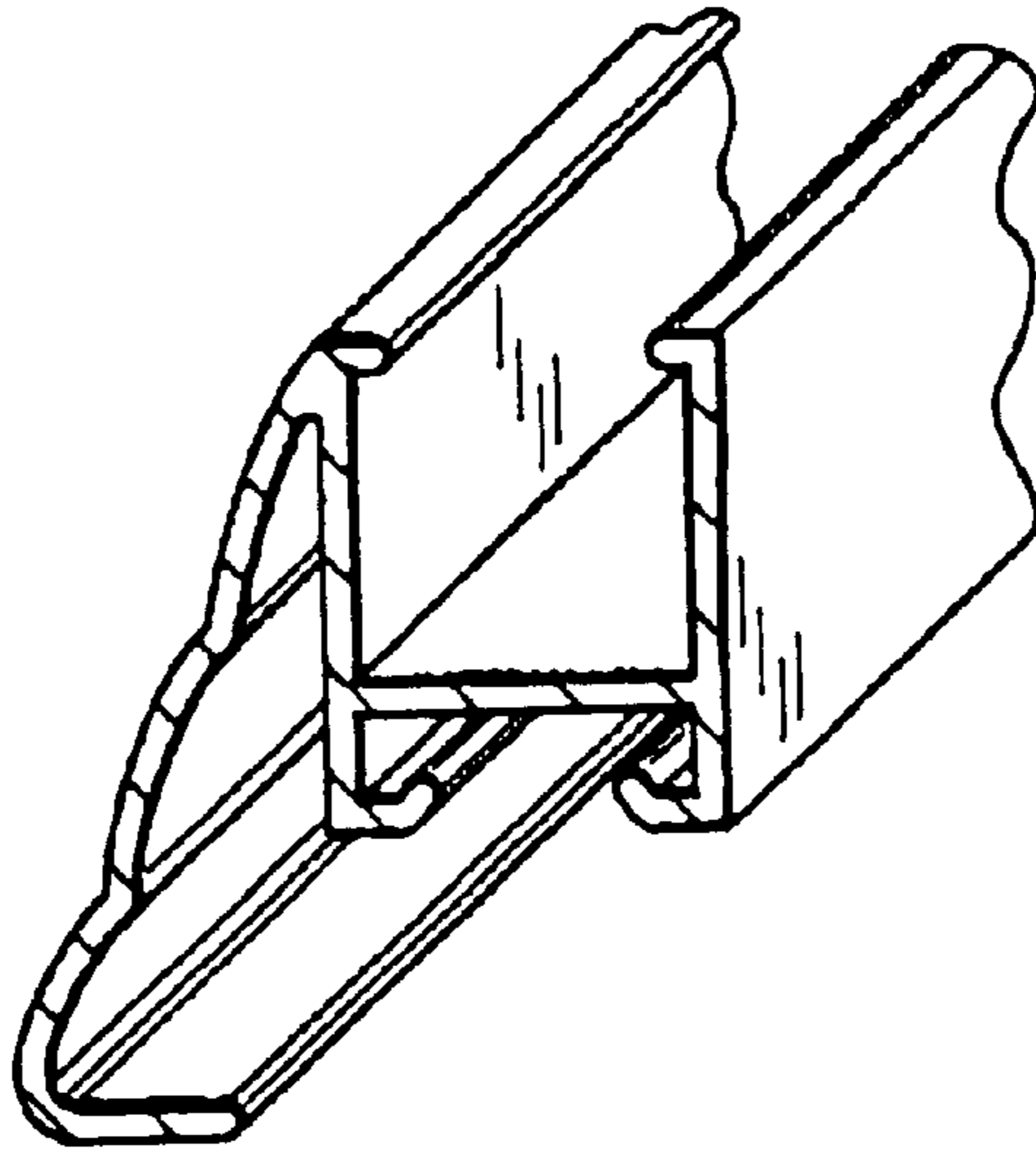


FIG. 1

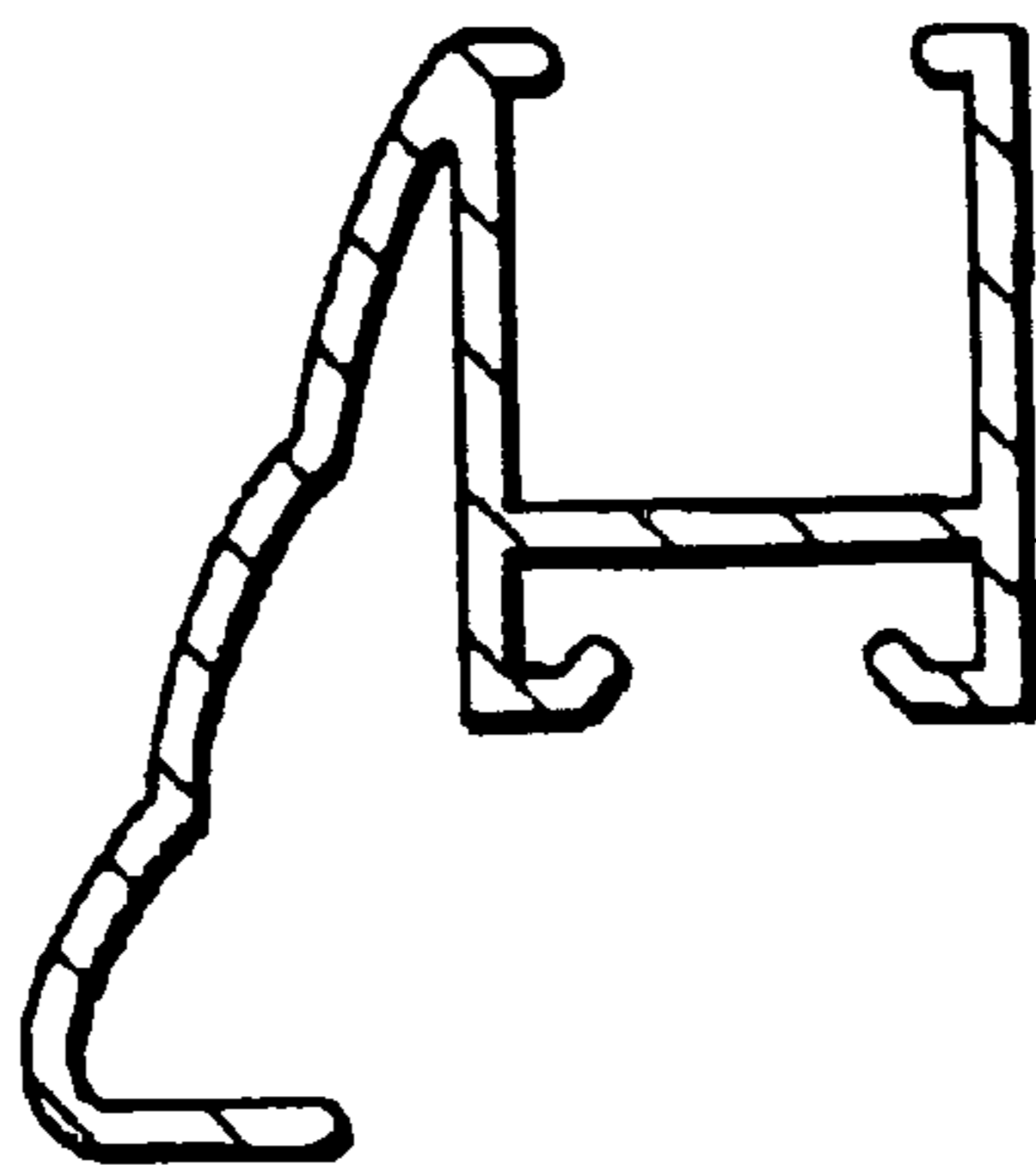


FIG. 2