



US00D408930S

# United States Patent [19] Behunin

[11] Patent Number: **Des. 408,930**

[45] Date of Patent: **\*\* Apr. 27, 1999**

[54] **CONCRETE BLOCK AND BRICK**

[76] Inventor: **Gage Behunin**, 1901 Leroy Dr., #B,  
Northglenn, Colo. 80233

[\*\*] Term: **14 Years**

[21] Appl. No.: **29/087,118**

[22] Filed: **Apr. 27, 1998**

[51] **LOC (6) Cl.** ..... **25-01**

[52] **U.S. Cl.** ..... **D25/114**

[58] **Field of Search** ..... D25/113-118,  
D25/151; D21/501; 52/592.1, 592.2, 592.3,  
592.6, 589.1, 311.2, 314, 604, 606, 591.4,  
590.2, 566-567; 446/110, 117, 124, 125,  
128

[56] **References Cited**

**U.S. PATENT DOCUMENTS**

D. 185,611	6/1959	Paulson	.....	D25/115
D. 266,875	11/1982	dos Santos	.....	D25/114
D. 316,904	5/1991	Forsberg	.....	D25/114
D. 340,997	11/1993	Harrison	.....	D25/118
D. 368,313	3/1996	Schulz, Jr.	.....	D25/118
D. 387,433	12/1997	Youssefian	.....	D25/114
D. 392,052	3/1998	Youssefian	.....	D25/114
1,411,005	3/1922	Dula	.....	52/314
3,290,849	12/1966	Wright	.....	D25/118

3,410,044	11/1968	Moog	.....	D25/118
3,818,656	6/1974	Vigliotti	.....	D25/113
4,115,980	9/1978	Martel et al.	.....	52/590.2

*Primary Examiner*—Raphael Barkai  
*Attorney, Agent, or Firm*—Edwin H. Crabtree; Raman L. Pizarro; Donald W. Margolis

[57] **CLAIM**

The ornamental design for a concrete block and brick, as shown and described.

**DESCRIPTION**

FIG. 1 is a perspective view of a concrete block and brick showing my new design; The broken lines showing adjacent concrete blocks and bricks are for illustrative purposes only and form no part of the new design as claimed.

FIG. 2 is a top elevational view of the concrete block and brick;

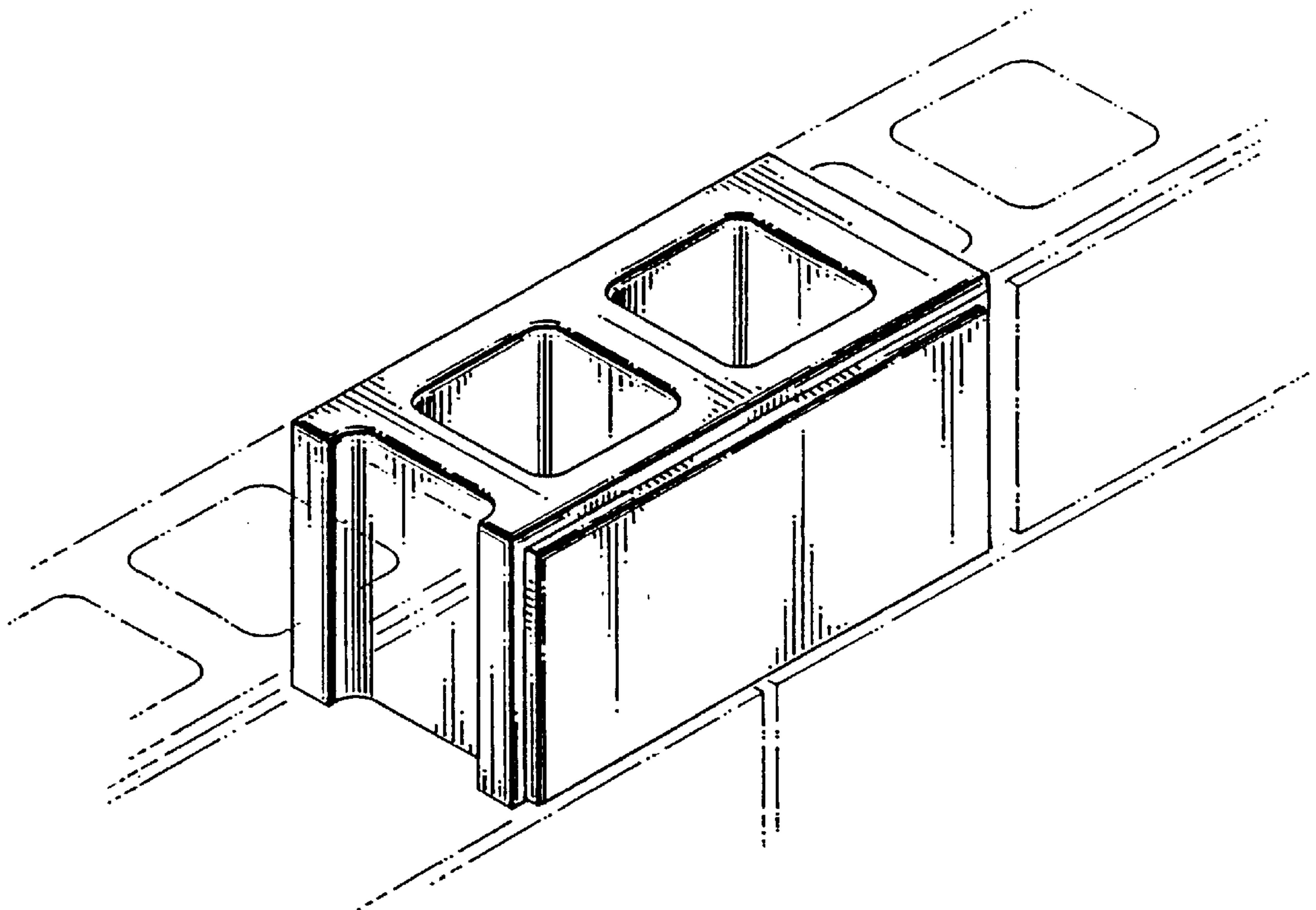
FIG. 3 is a bottom elevational view of the concrete block and brick;

FIG. 4 is a front elevational view of the concrete block and brick;

FIG. 5 is a rear elevational view of the concrete block and brick;

FIG. 6 is an end view of the concrete block and brick; and, FIG. 7 is an opposite end view from FIG. 6 of the concrete block and brick.

**1 Claim, 1 Drawing Sheet**



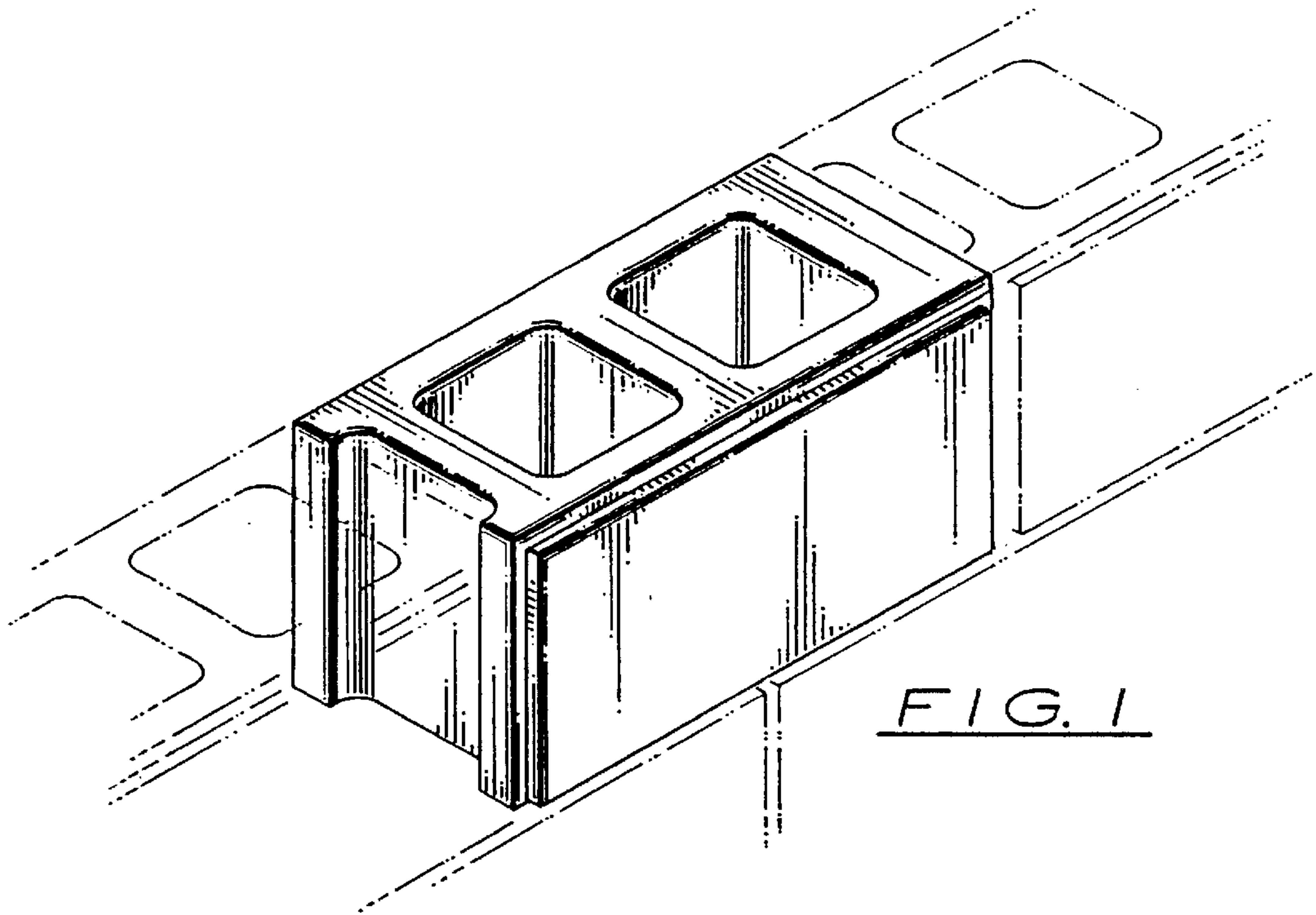


FIG. 1

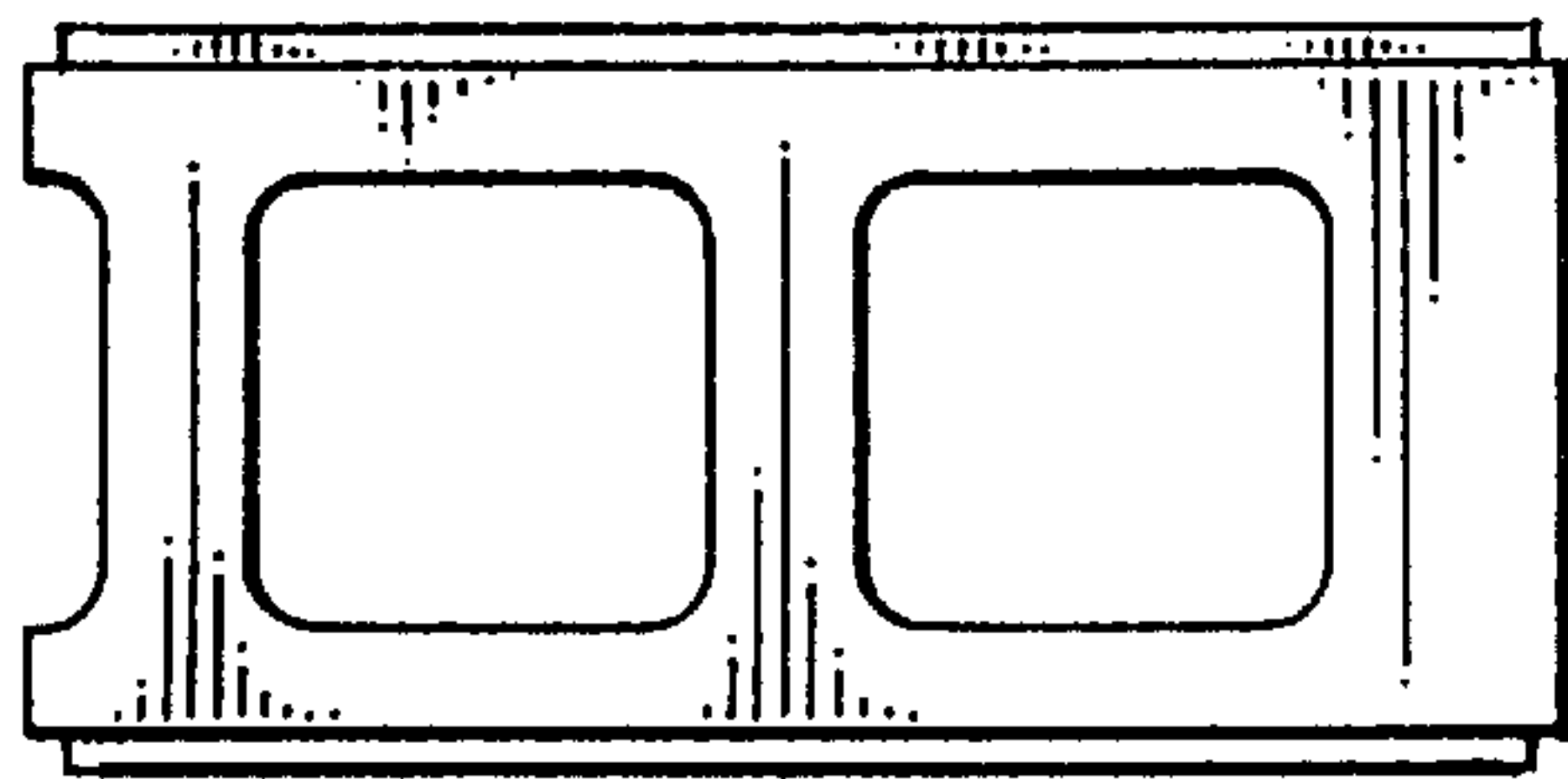


FIG. 2

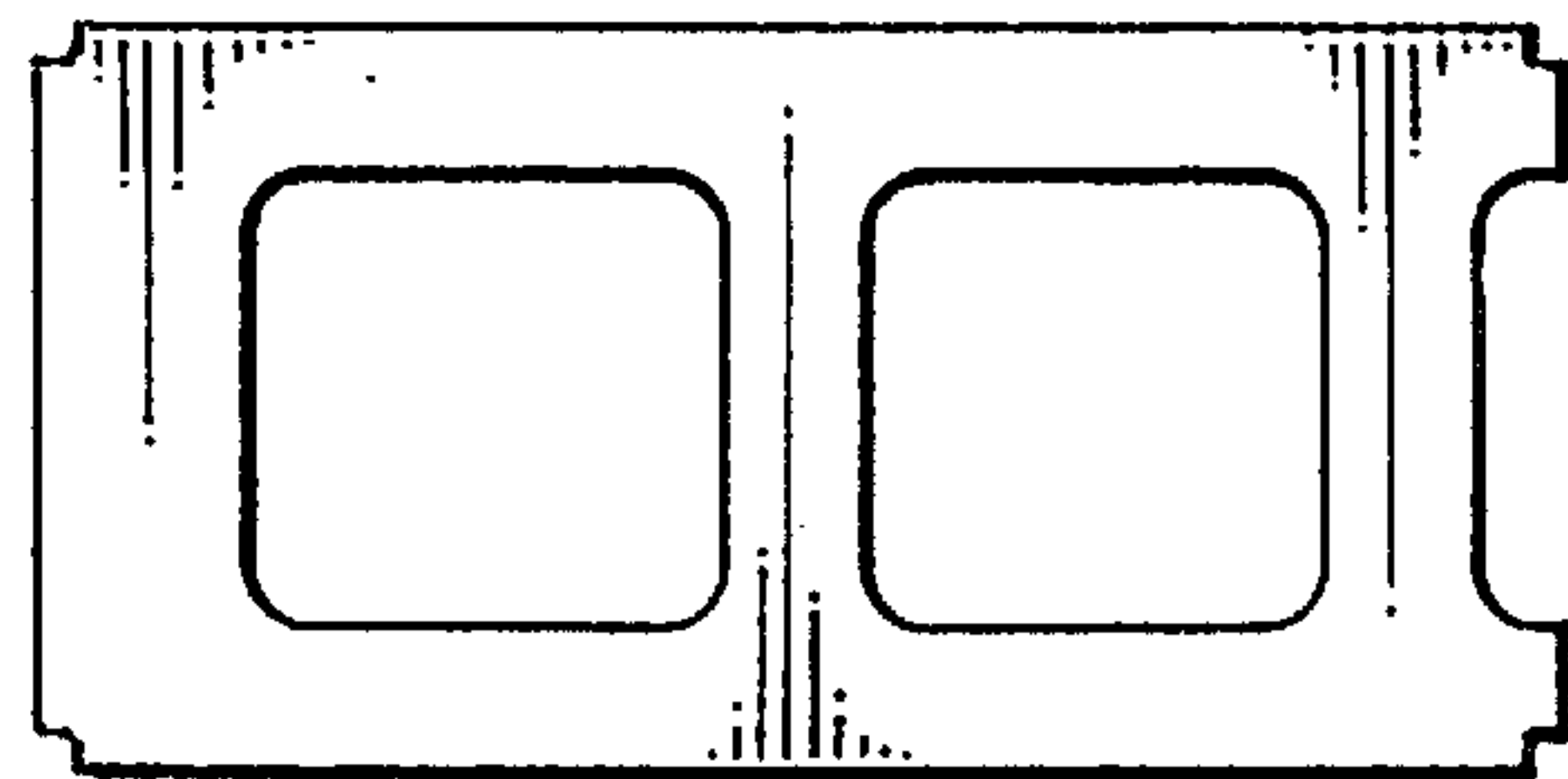


FIG. 3

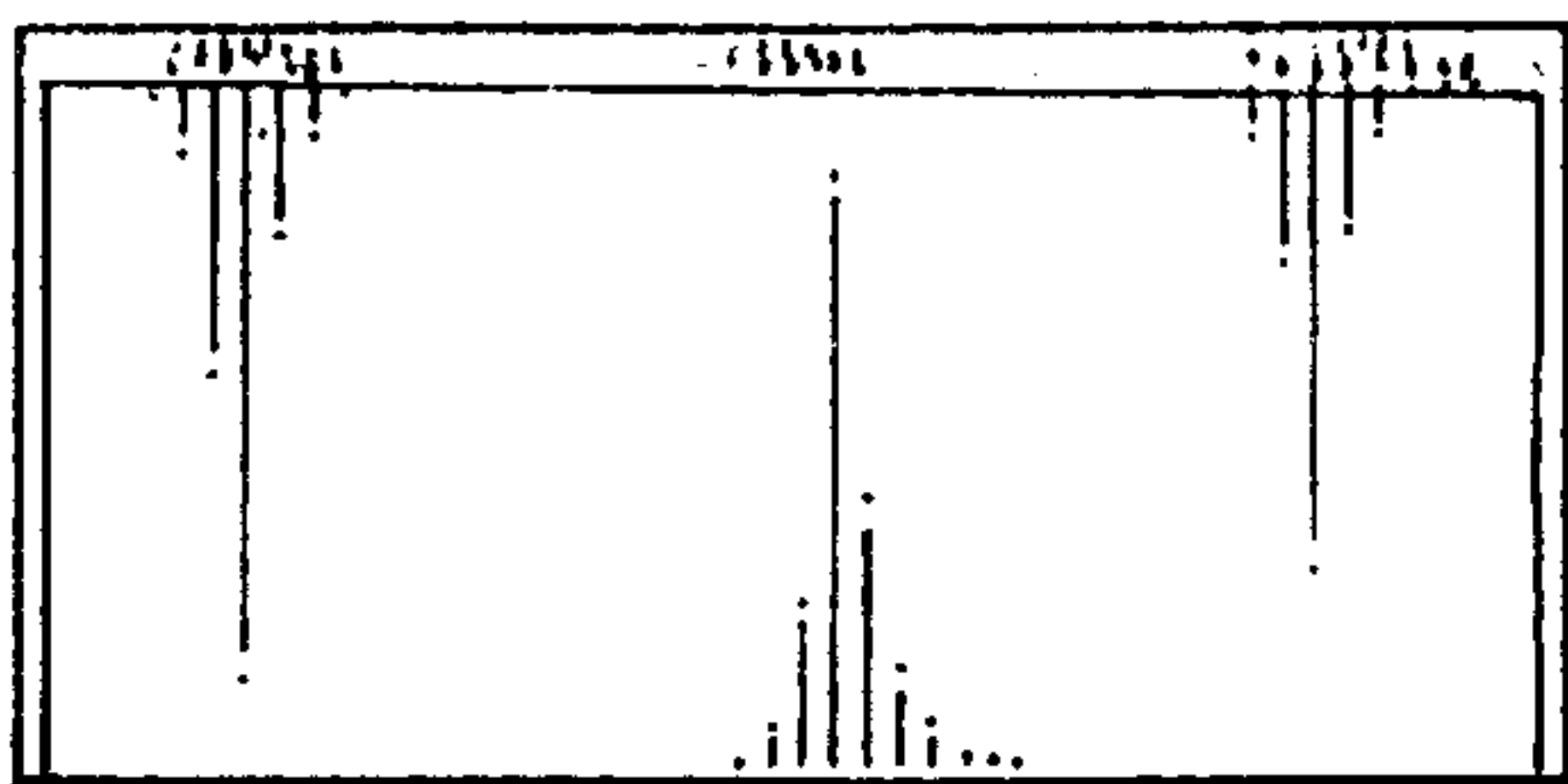


FIG. 4

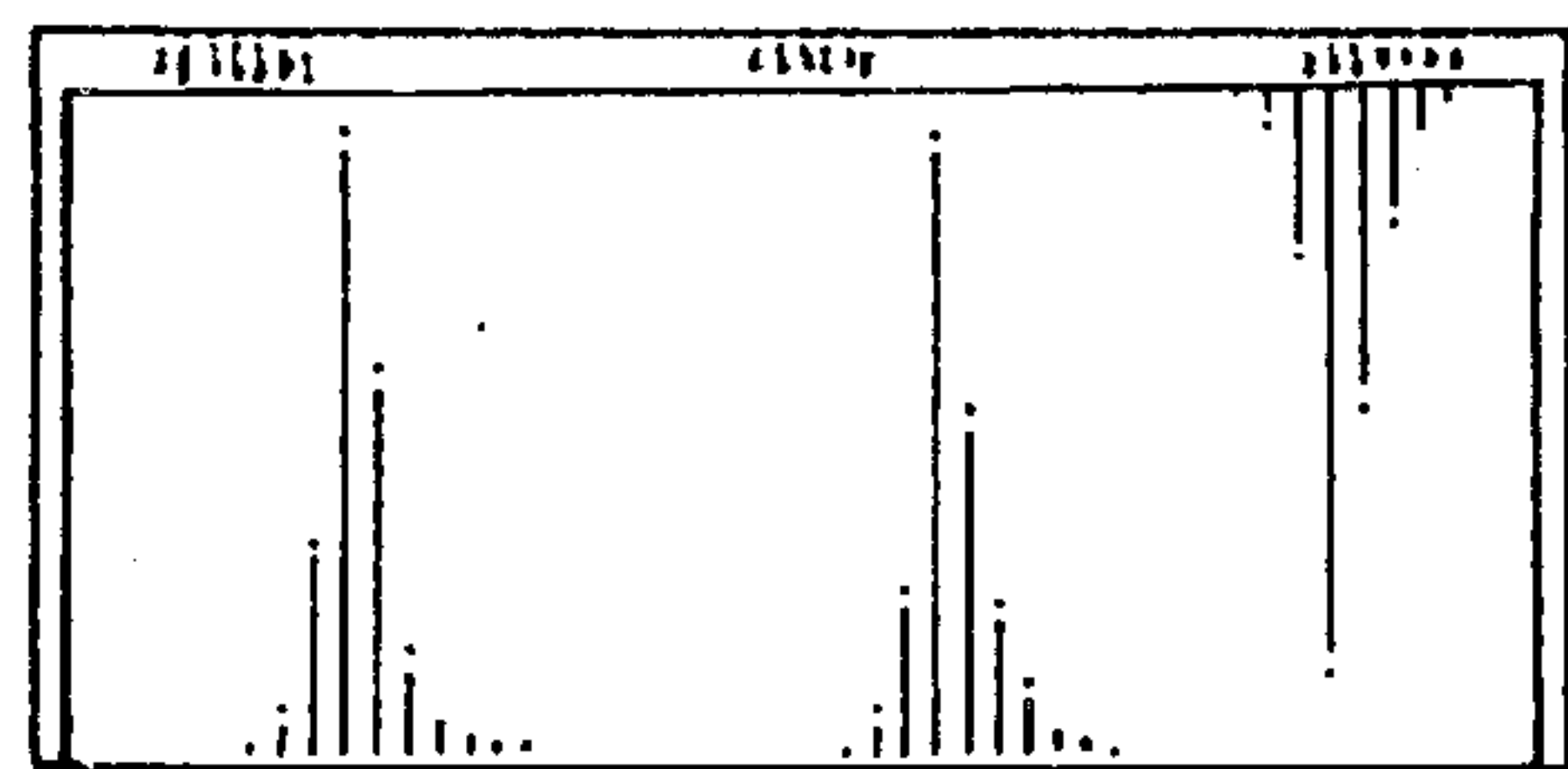


FIG. 5

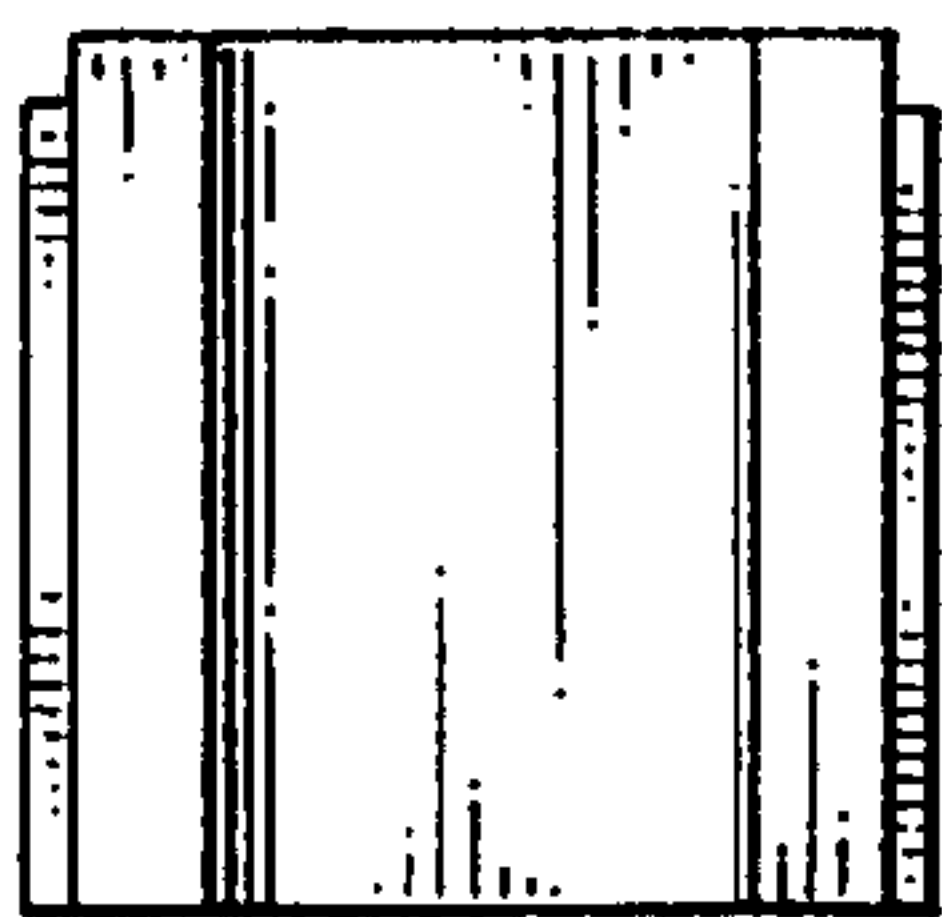


FIG. 6

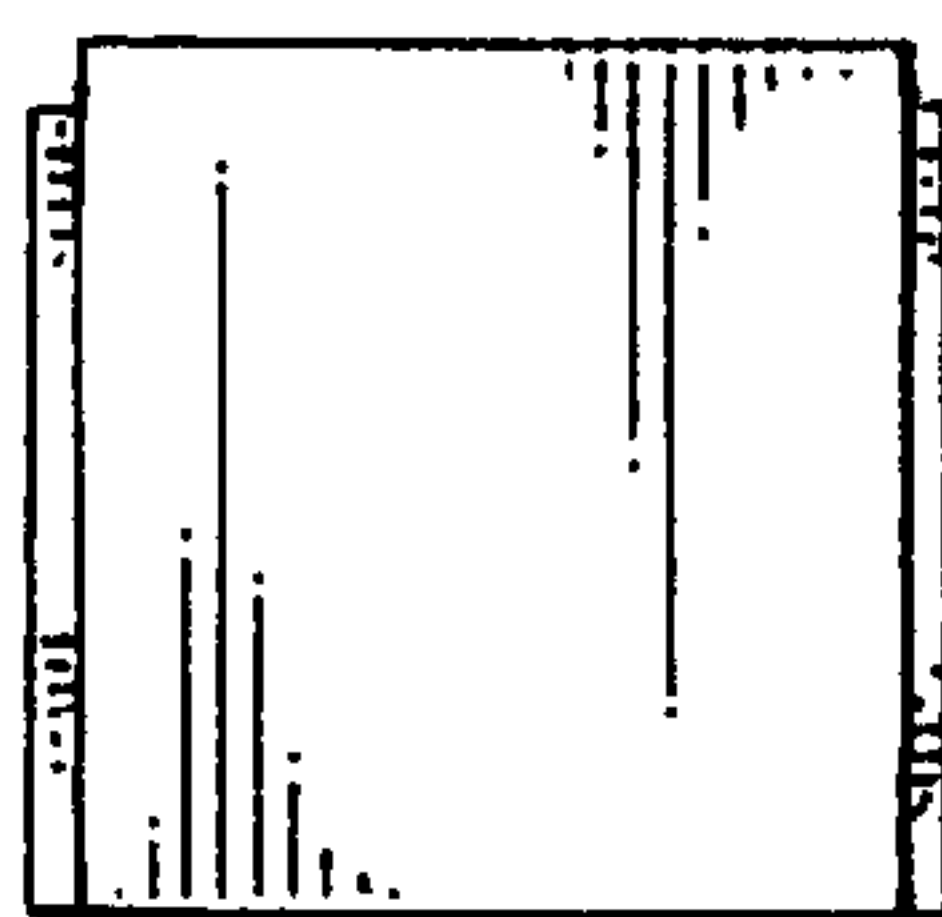


FIG. 7