



US00D408925S

United States Patent [19]

[11] Patent Number: Des. 408,925

Berry et al.

[45] Date of Patent: **Apr. 27, 1999

[54] HANDLE FOR MASSAGE DEVICE

DESCRIPTION

[76] Inventors: **Harvey Berry**, 257 Third St., Ft. Lupton, Colo. 80621; **John R. Lynch**, 119 Thunderidge Rd., Nederland, Colo. 80466

FIG. 1 is a perspective view of a handle for massage device, showing our new design, the broken line showing of the magnetic massage balls being for illustrative purposes only and forming no part of the claimed design;

FIG. 2 is a top plan view of FIG. 1;

FIG. 3 is a left side elevational view of FIG. 1, the right side elevational view being shown as it is substantially identical to the left side elevational view;

FIG. 4 is a front elevational view of FIG. 1;

FIG. 5 is a rear elevational view of FIG. 1;

FIG. 6 is a bottom plan view of FIG. 1;

FIG. 7 is a left side elevational view of a second embodiment of the handle for massage device similar to FIG. 1, but with the handle thereof having a shorter shank, the right side elevational view not being shown as it is substantially identical to the left side elevational view and the front and rear elevational views not being shown as they are substantially identical to FIGS. 4 and 5, respectively;

FIG. 8 is a top plan view of FIG. 7;

FIG. 9 is a bottom plan view of FIG. 7;

FIG. 10 is a left side elevational view of a third embodiment of the handle for massage device similar to FIG. 1, but with the device shown with the handle having the head portion thereof mounted at an angle to the shank portion, the right side elevational view not being shown as it is substantially identical to the left side elevational view;

FIG. 11 is a top plan view of FIG. 10;

FIG. 12 is a front elevational view of FIG. 10;

FIG. 13 is a rear elevational view of FIG. 10; and,

FIG. 14 is a bottom plan view of FIG. 10.

[**] Term: 14 Years

[21] Appl. No.: 29/091,095

[22] Filed: Jul. 22, 1998

[51] LOC (6) Cl. 28-03

[52] U.S. Cl. D24/214

[58] Field of Search D24/211, 214, D24/200; 601/67, 68, 118, 131, 134, 135, 136, 137, 123, 141

[56] References Cited

U.S. PATENT DOCUMENTS

D. 101,263	9/1936	Ackerman	D24/211
D. 314,620	2/1991	Batiaglia	D24/211
D. 349,771	8/1994	Heiligenstein et al.	D24/211
1,091,090	3/1914	Tacail	601/141
2,193,249	3/1940	Flanders et al.	601/123

Primary Examiner—Stella Reid
Attorney, Agent, or Firm—Siegmar Silber, Esq.

[57] CLAIM

The ornamental design for a handle for massage device, as shown and described.

1 Claim, 3 Drawing Sheets

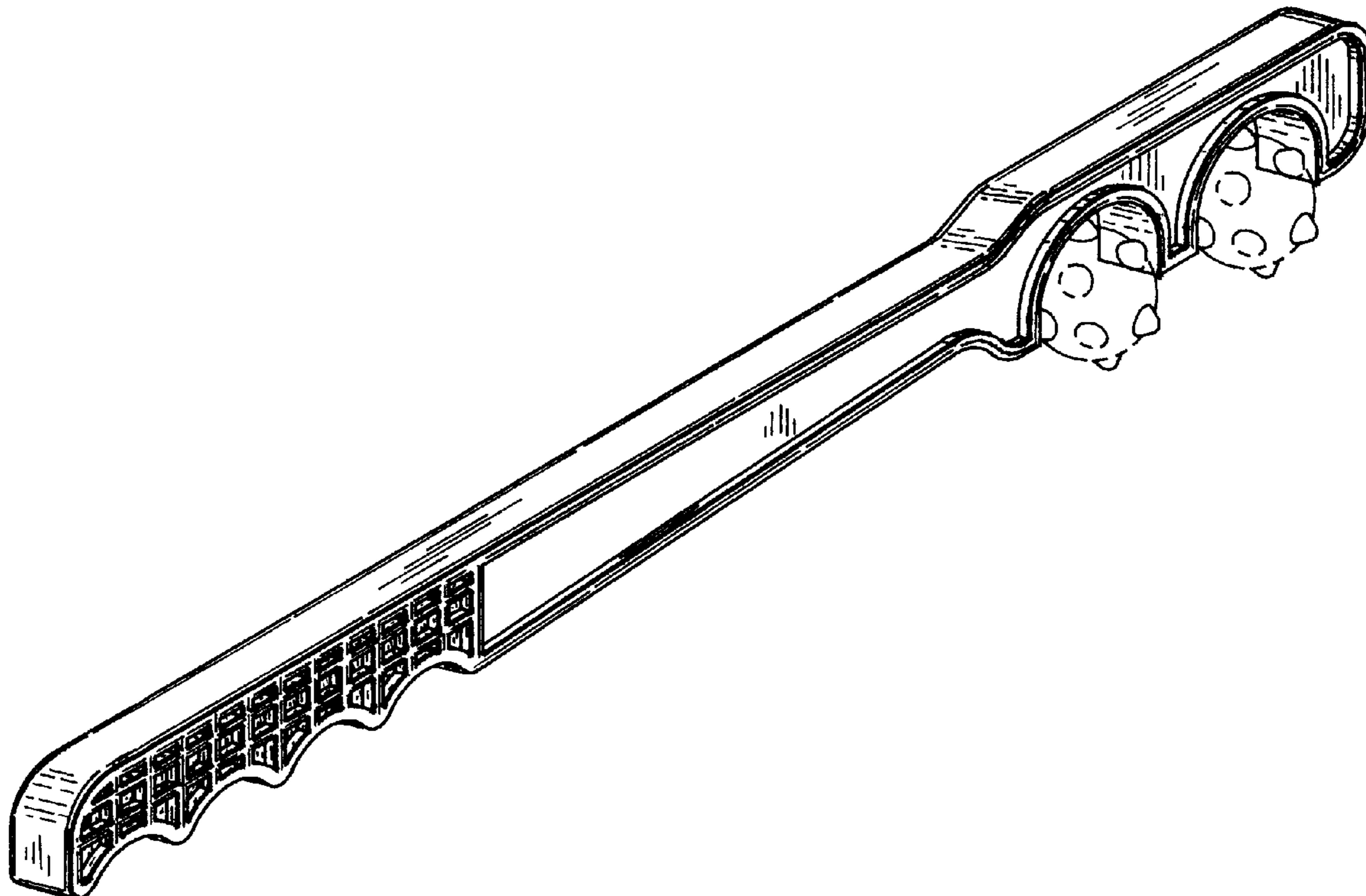


FIG. 3

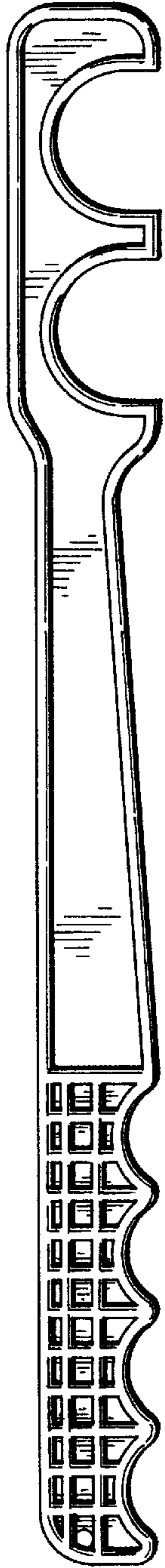


FIG. 1

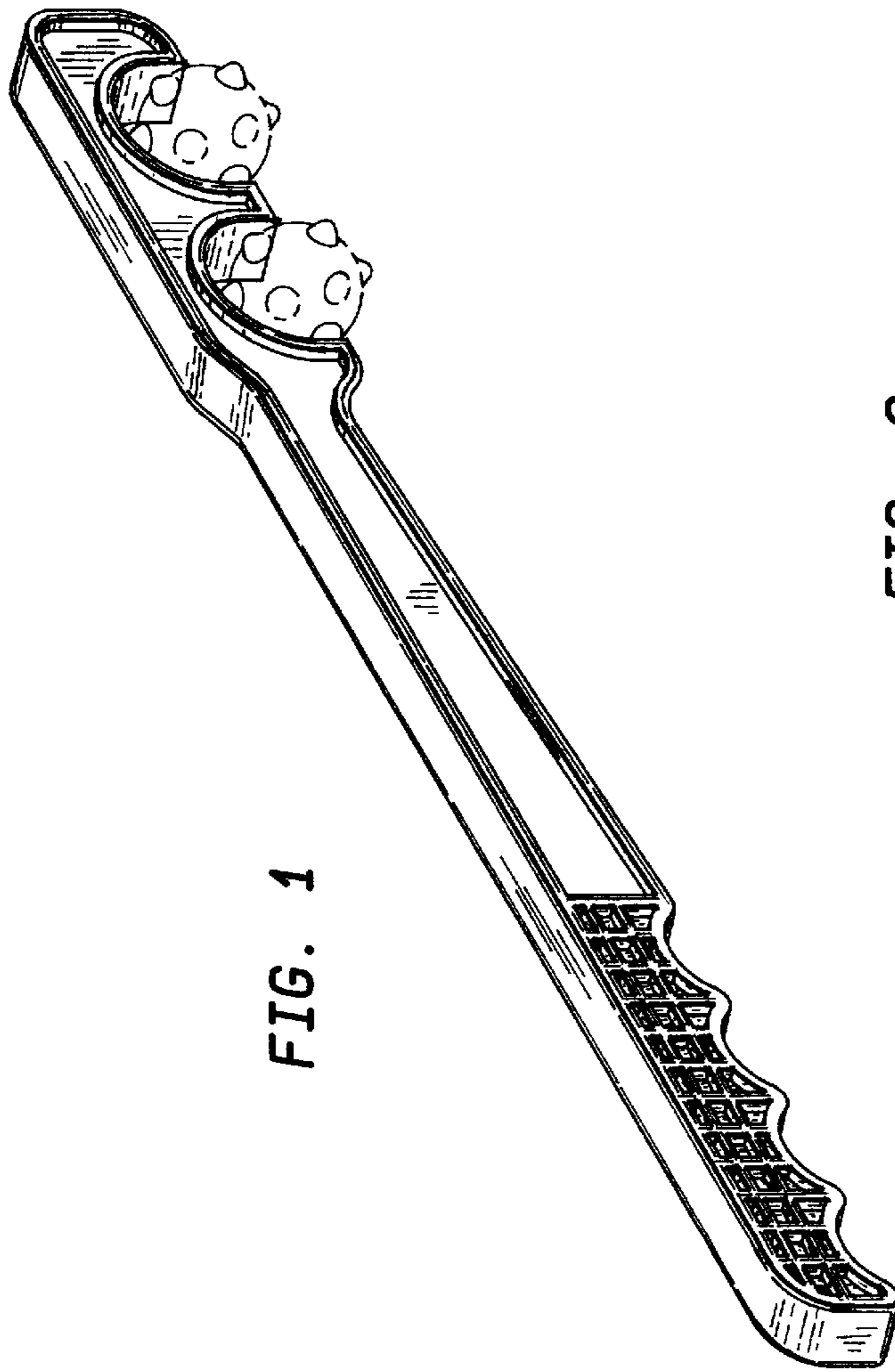


FIG. 4 FIG. 5



FIG. 2



FIG. 6



FIG. 7

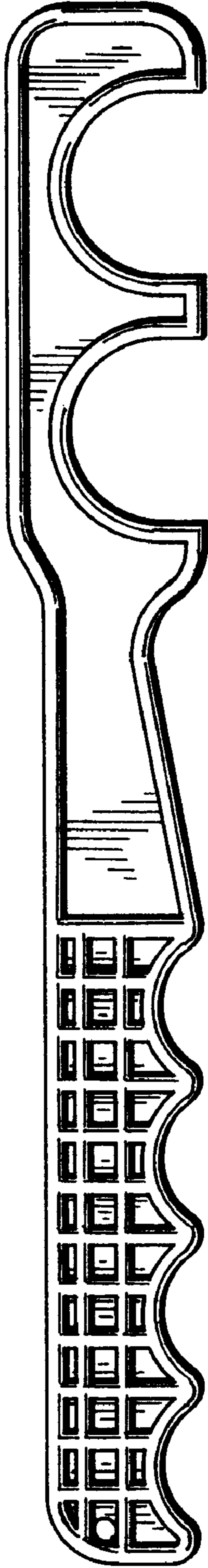


FIG. 8

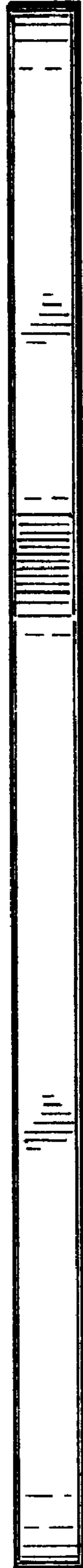


FIG. 9



FIG. 10

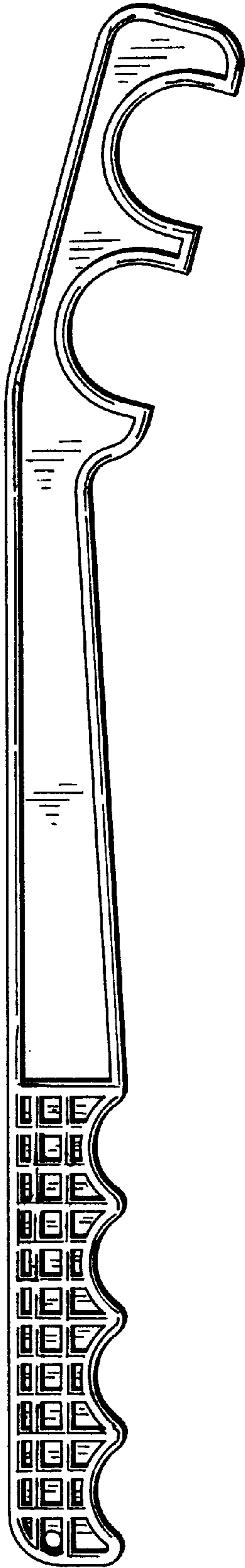


FIG. 12



FIG. 13



FIG. 11



FIG. 14

