



US00D408919S

**United States Patent** [19]  
**Cooley**

[11] **Patent Number: Des. 408,919**

[45] **Date of Patent: \*\*Apr. 27, 1999**

[54] **DENTAL MOUTHPIECE**

[75] Inventor: **Marianna Cooley**, Houston, Tex.

[73] Assignee: **Steril Med**, Houston, Tex.

[\*\*] Term: **14 Years**

[21] Appl. No.: **29/075,991**

[22] Filed: **Aug. 28, 1997**

[51] **LOC (6) Cl.** ..... **24-01**

[52] **U.S. Cl.** ..... **D24/181**

[58] **Field of Search** ..... D24/180, 181,  
D24/176, 182; 128/861, 862, 846, 848,  
859, 860; 602/902; 433/6, 37, 41-48, 215,  
229

[56] **References Cited**

**U.S. PATENT DOCUMENTS**

D. 215,685	10/1969	Helmer	.....	D29/108
D. 372,096	7/1996	Frush	.....	D24/181
4,944,947	7/1990	Newman	.....	128/861

5,165,424	11/1992	Silverman	.....	128/861
5,234,005	8/1993	Kittelsen et al.	.....	128/861
5,293,880	3/1994	Levitt	.....	128/861
5,573,399	11/1996	McClintock, II	.....	433/6

*Primary Examiner*—Pamela Burgess  
*Attorney, Agent, or Firm*—Carol M. Nielsen; Butler & Binion, L.L.P.

[57] **CLAIM**

I claim the ornamental design for a dental mouthpiece, as shown and described.

**DESCRIPTION**

FIG. 1 is front perspective view of the dental mouthpiece; FIG. 2 is a top view of the dental mouthpiece; FIG. 3 is a side view of the dental mouthpiece; FIG. 4 is a front view of the dental mouthpiece; FIG. 5 is a rear view of the dental mouthpiece; FIG. 6 is a bottom plan view of the dental mouthpiece; and, FIG. 7 is a cross-sectional view of the dental mouthpiece cut along line 7—7 of FIG. 2.

**1 Claim, 2 Drawing Sheets**

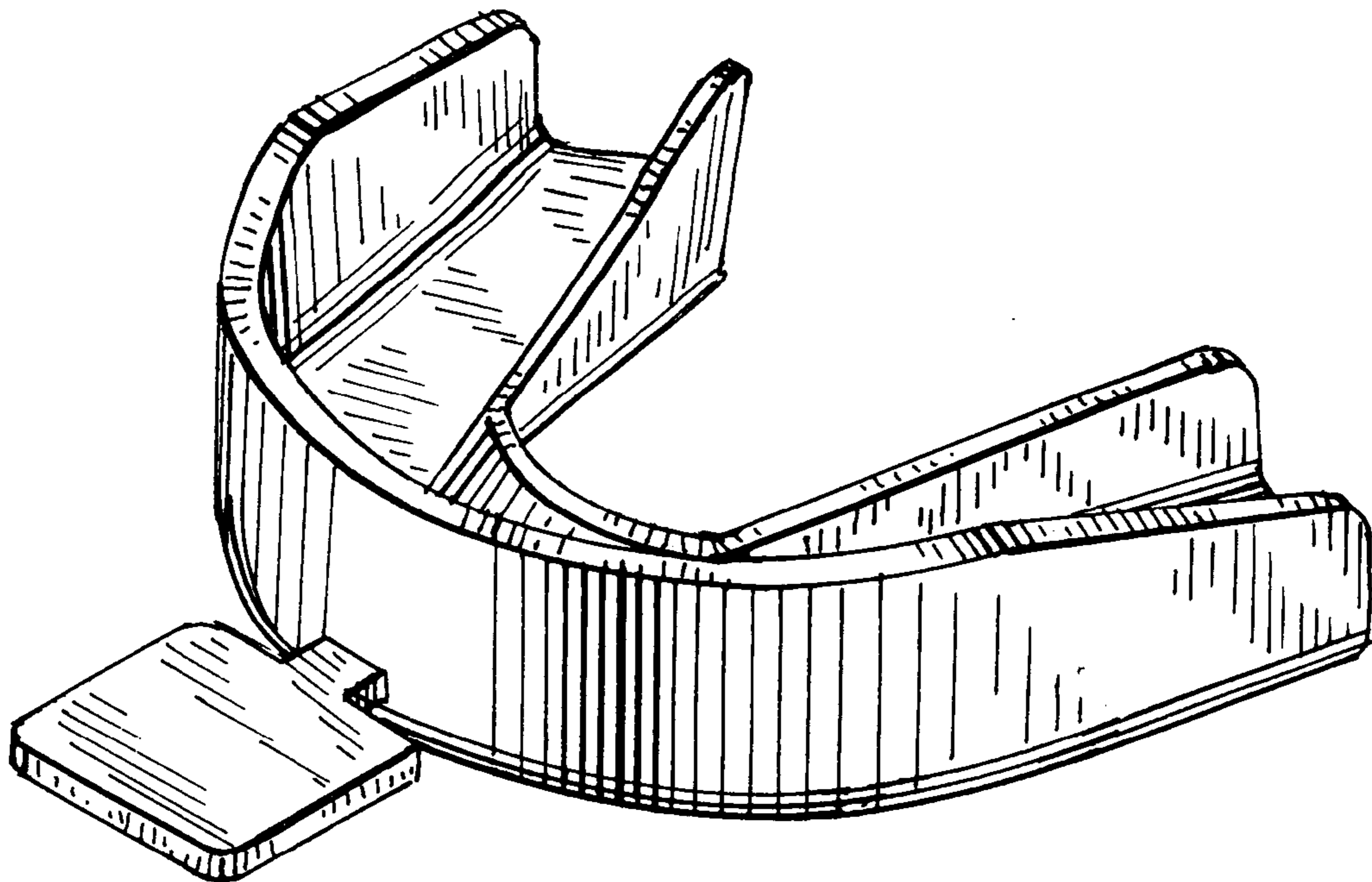


FIG. 1

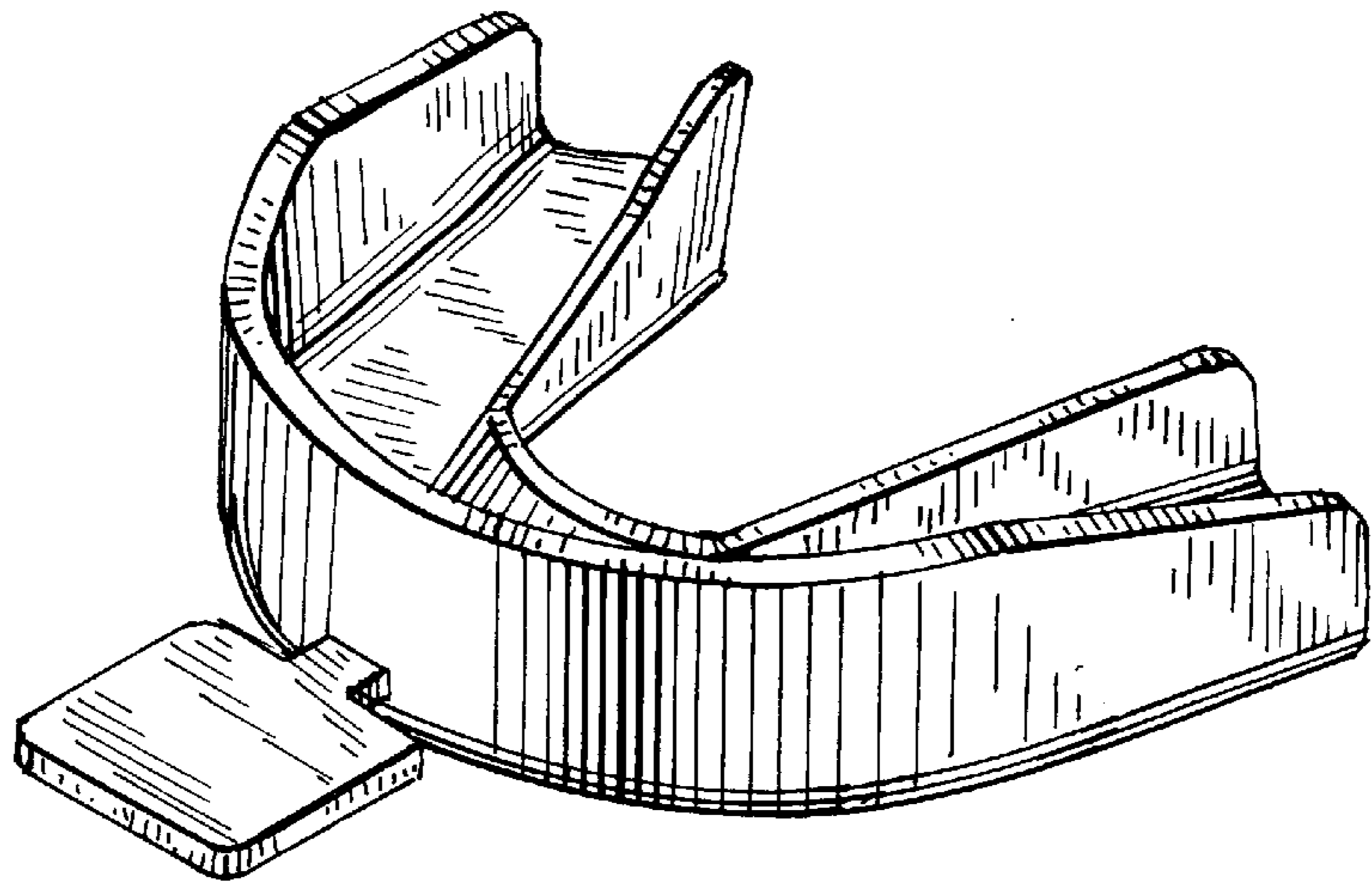


FIG. 2

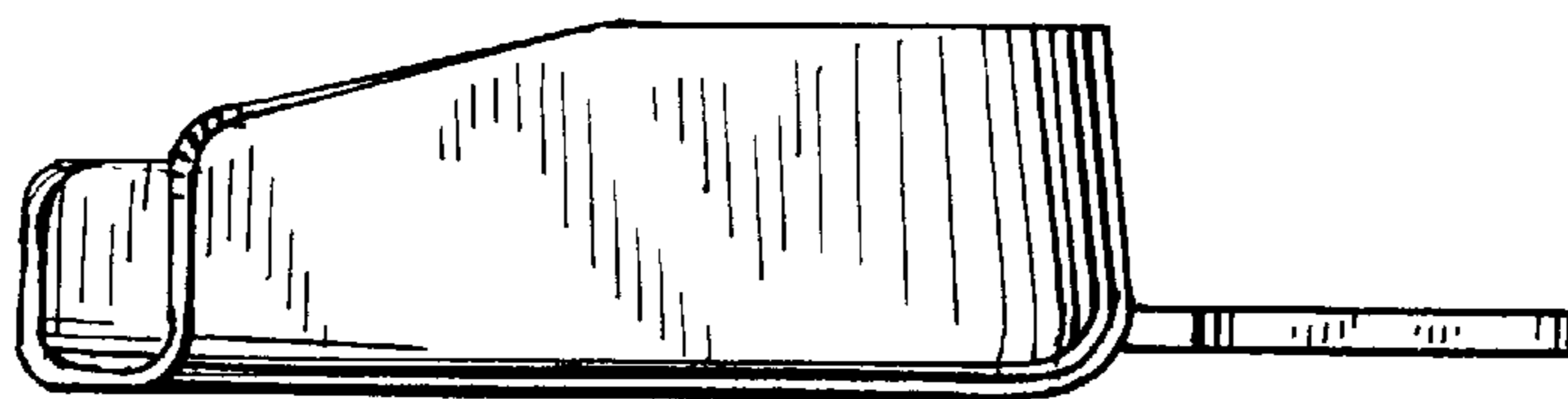
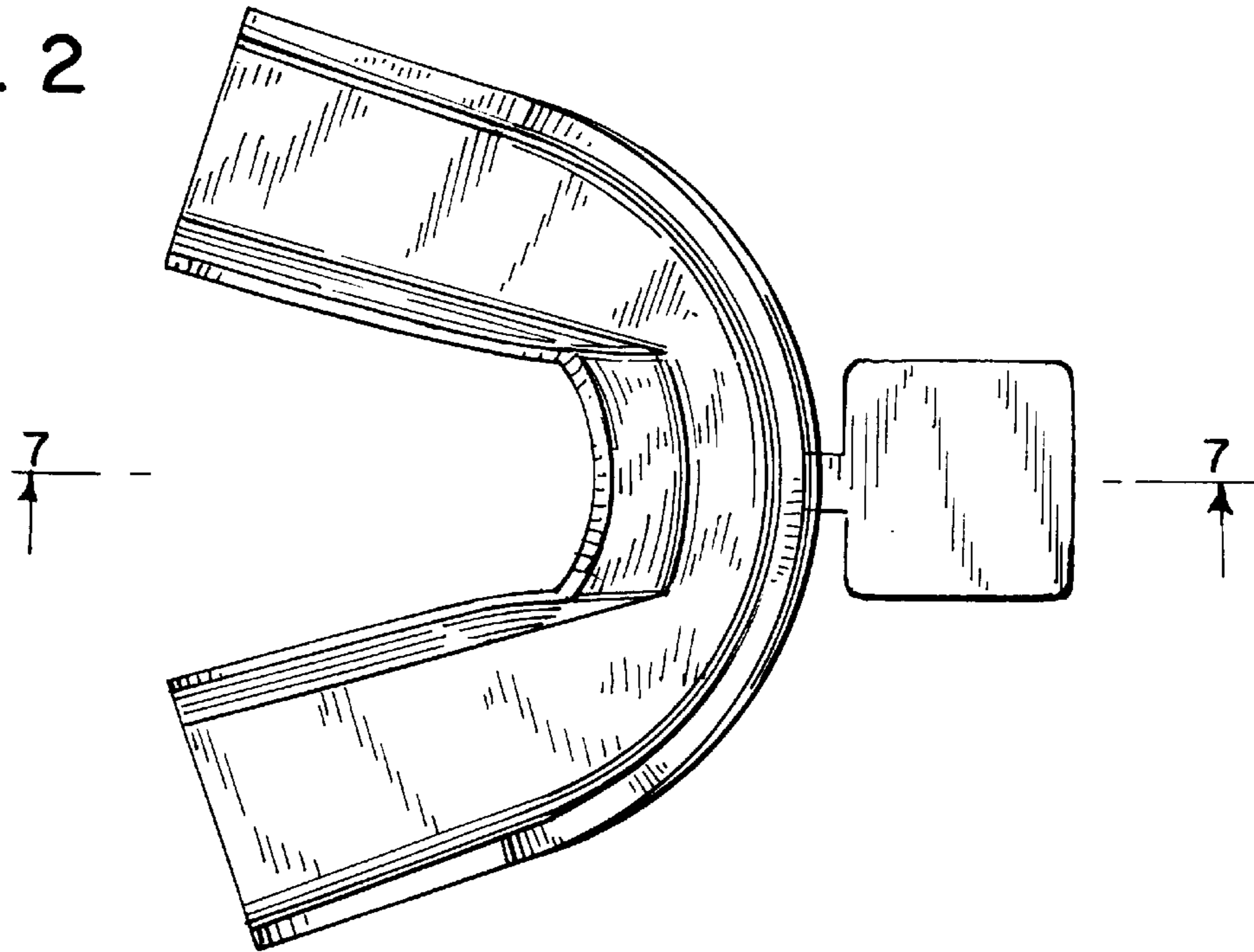


FIG. 3

FIG. 4

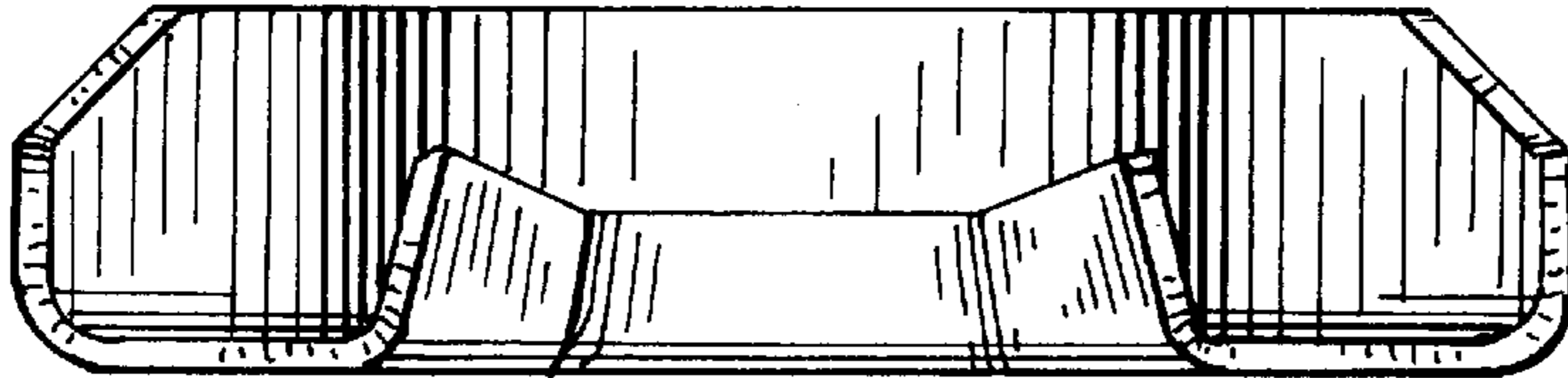
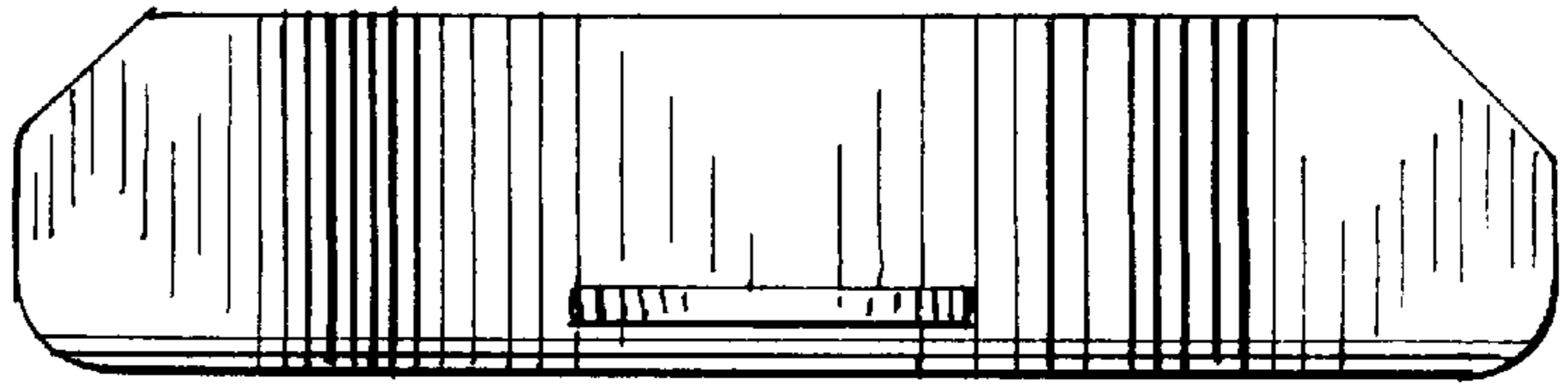


FIG. 5

FIG. 6

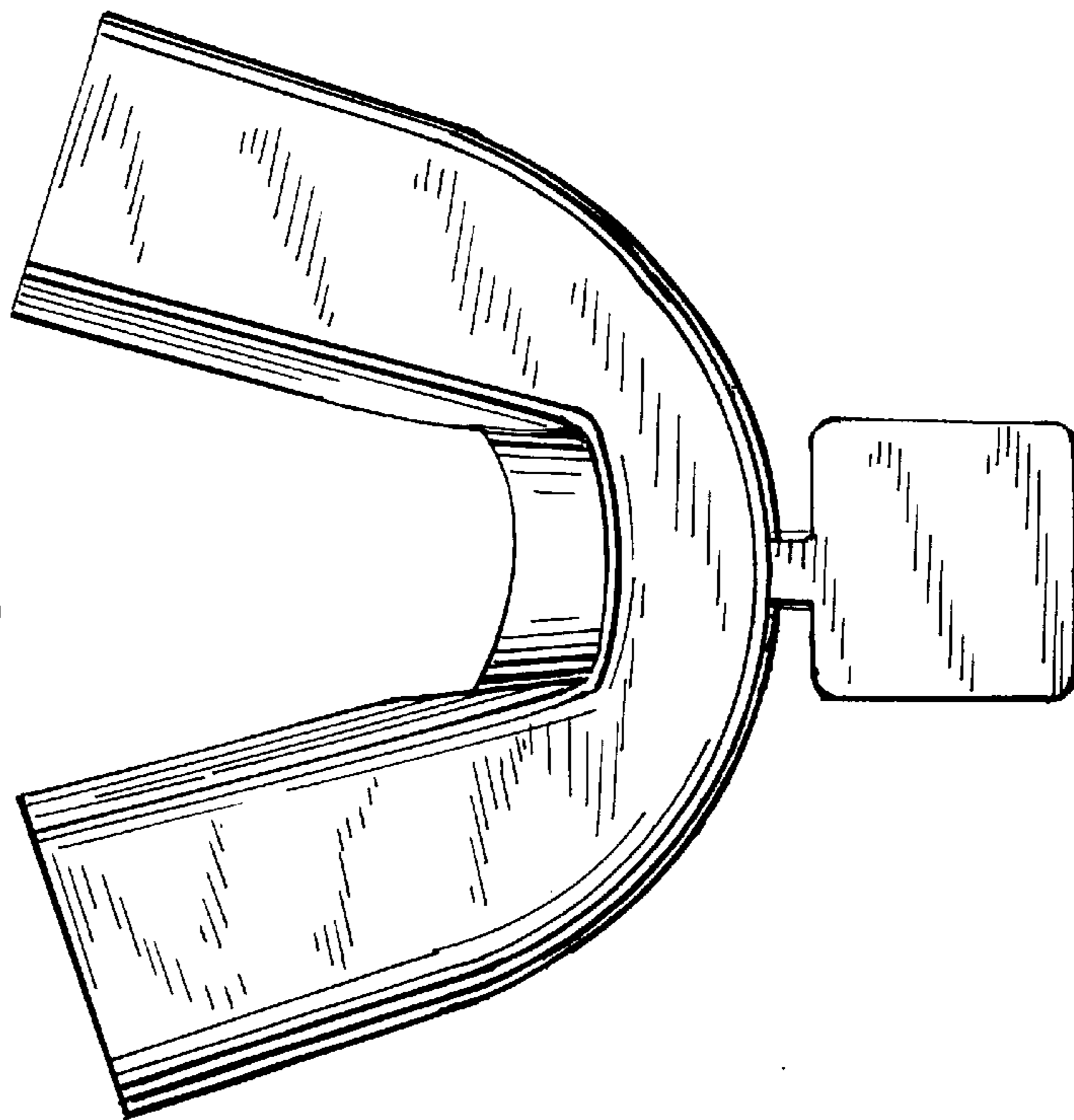


FIG. 7

