



US00D408917S

United States Patent [19] Hacker

[11] **Patent Number: Des. 408,917**

[45] **Date of Patent: **Apr. 27, 1999**

[54] **MEMBRANE SUPPORT STRUCTURE OF A FLOW THROUGH CELL FOR BLOOD GAS MEASUREMENT**

5,104,623 4/1992 Miller 422/82.06
5,128,019 7/1992 Karpf et al. 204/416
5,171,029 12/1992 Maxwell et al. 277/212 R
5,289,255 2/1994 Mullin et al. 356/246

[75] Inventor: **Thomas G. Hacker**, Anaheim, Calif.

FOREIGN PATENT DOCUMENTS

[73] Assignee: **Minnesota Mining and Manufacturing Company**, St. Paul, Minn.

0 399 227 11/1990 European Pat. Off. .

[**] Term: **14 Years**

OTHER PUBLICATIONS

[21] Appl. No.: **29/084,200**

CDI™ 400 Extracorporeal Blood Gas Monitoring System, Operator's Manual, CDI, 3M Health Care (In existence prior to Feb. 26, 1997).

[22] Filed: **Feb. 26, 1998**

Primary Examiner—Stella Reid
Attorney, Agent, or Firm—F. Andrew Ubel

Related U.S. Application Data

[57] CLAIM

[63] Continuation-in-part of application No. 08/810,954, Feb. 27, 1997, abandoned.

The ornamental design for a membrane support structure of a flow through cell for blood gas measurement, as shown and described.

[51] **LOC (6) Cl.** **24-01**

DESCRIPTION

[52] **U.S. Cl.** **D24/169**

[58] **Field of Search** D24/165, 169, D24/164, 129; 422/68.1, 81, 82, 86, 48, 55, 57, 82.06, 82.07, 101; 210/103, 232, 445; 436/68, 138, 172; 356/246, 39-41

FIG. 1 is a first perspective view of a membrane support structure of a flow through cell for blood gas measurement showing my new design, the broken line showing of the flow through passage is for illustrative purposes only and forms no part of the claimed design.

[56] References Cited

U.S. PATENT DOCUMENTS

D. 326,718 6/1992 Maxwell et al. D24/169
D. 348,734 7/1994 Arp D24/224
D. 353,198 12/1994 Blasdell et al. D24/164
4,444,498 4/1984 Heinemann 356/246
4,640,820 2/1987 Cooper 422/68
4,745,279 5/1988 Karkar et al. 250/343
4,786,474 11/1988 Cooper 422/68

FIG. 2 is a second perspective view thereof;

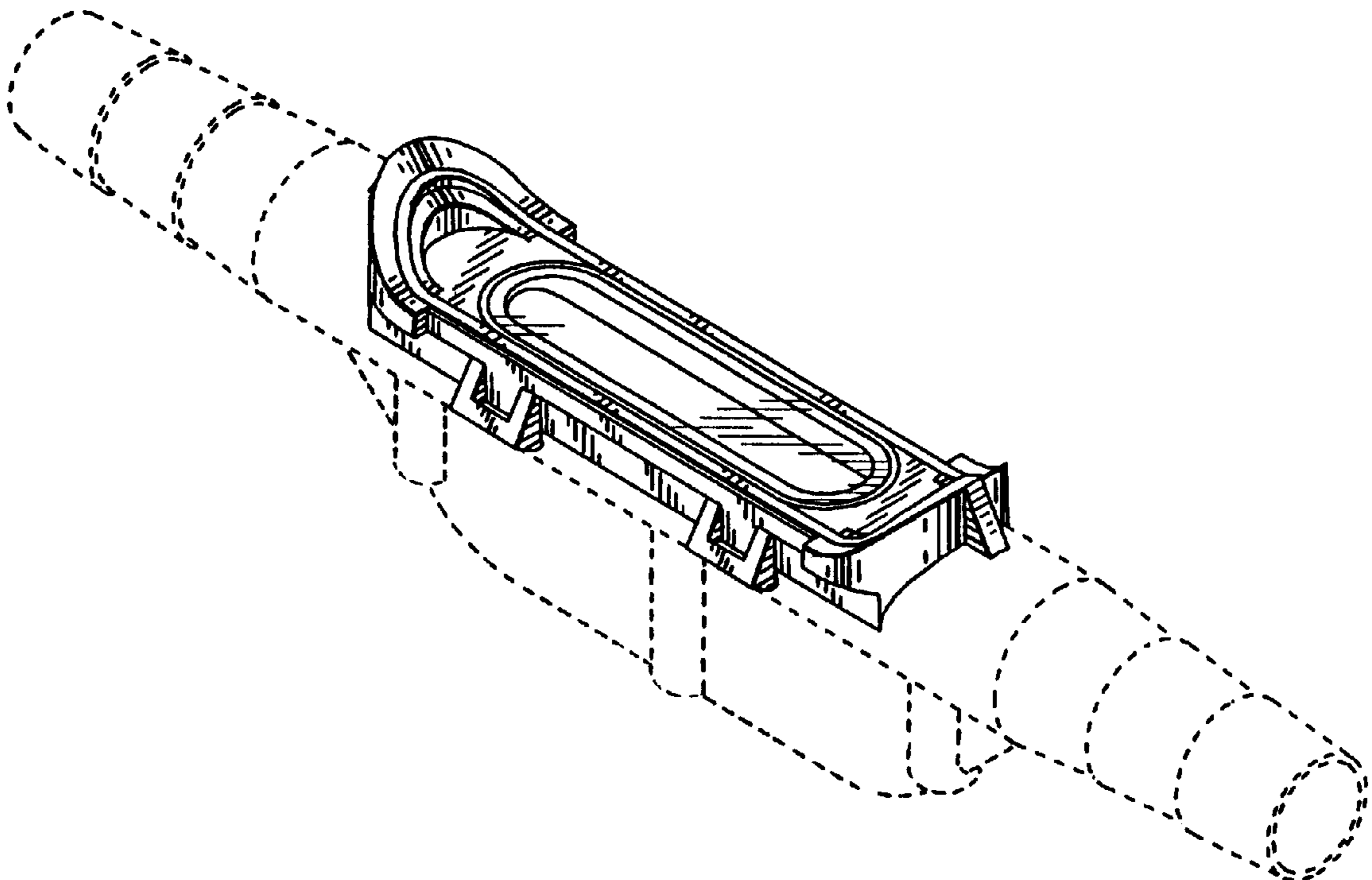
FIG. 3 is a top view thereof;

FIG. 4 is a left side view thereof, the right side view being a mirror image thereof;

FIG. 5 is a bottom view thereof; and,

FIG. 6 is a first end view thereof, the second end view being a mirror image thereof.

1 Claim, 2 Drawing Sheets



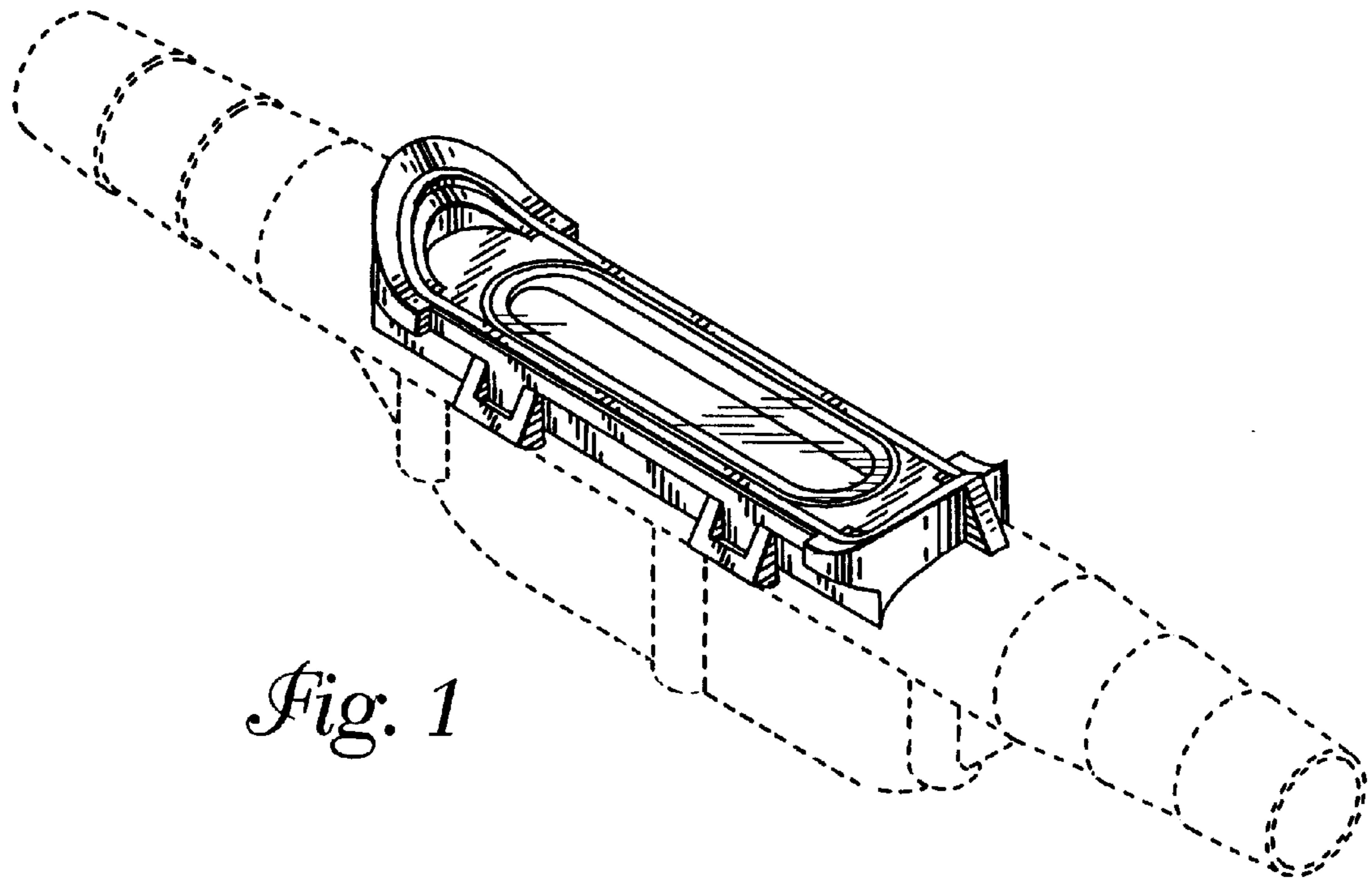


Fig. 1

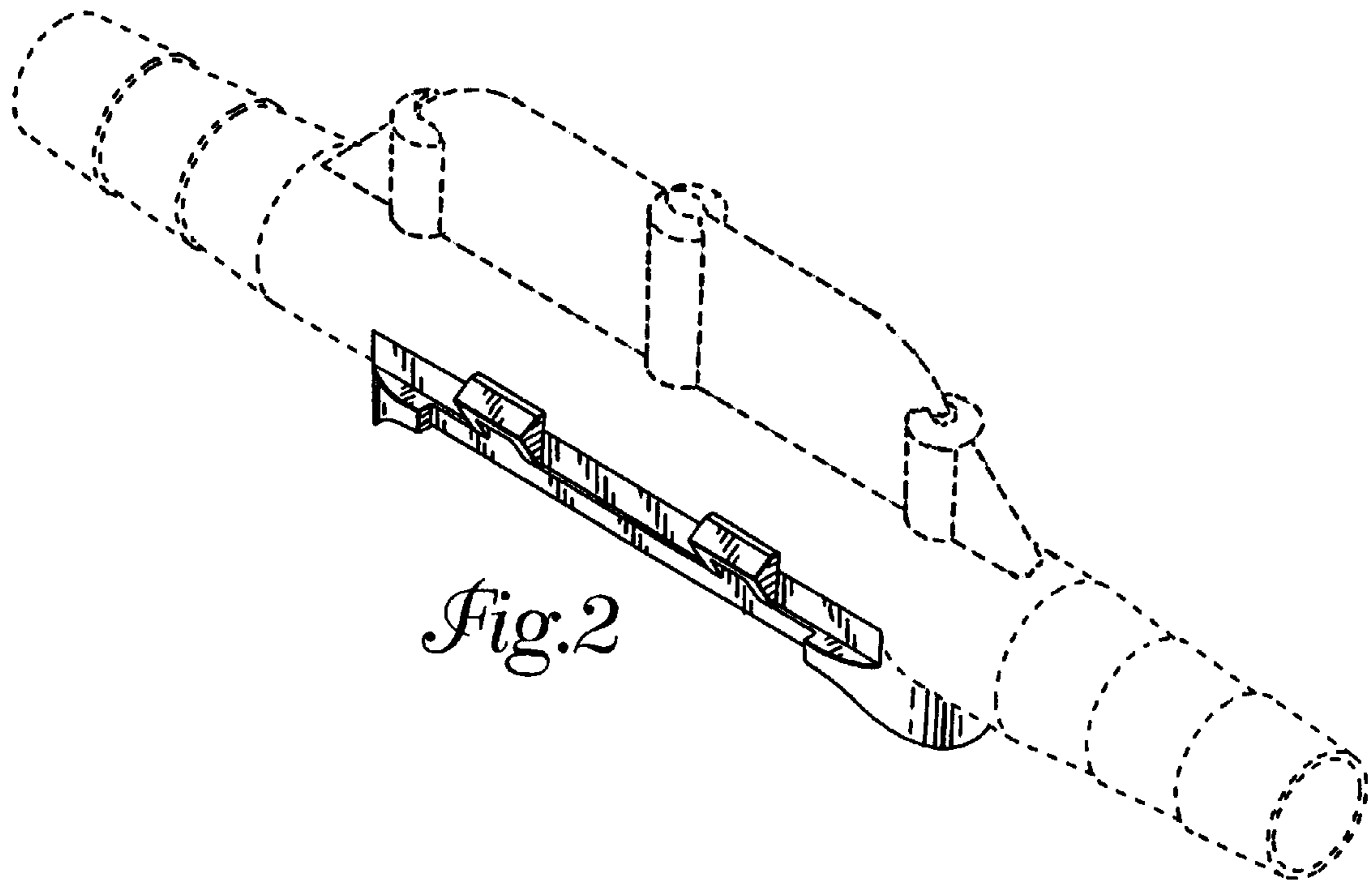


Fig. 2

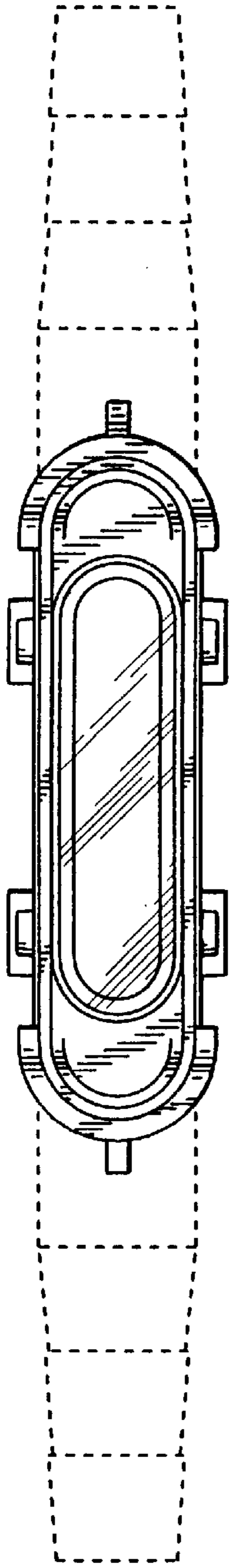


Fig. 3

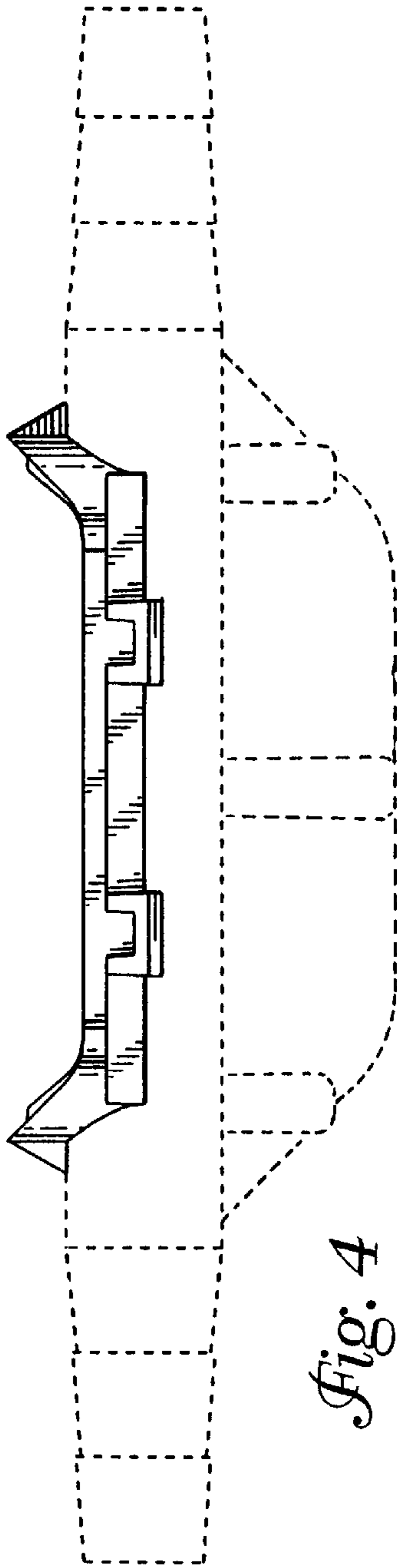


Fig. 4

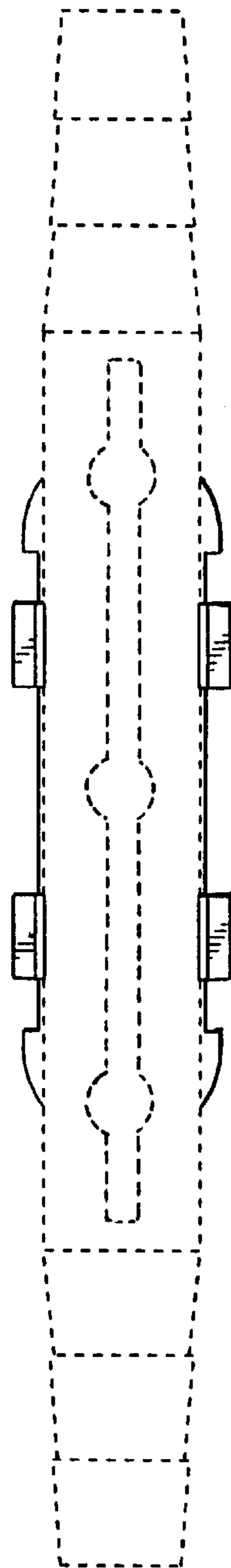


Fig. 5

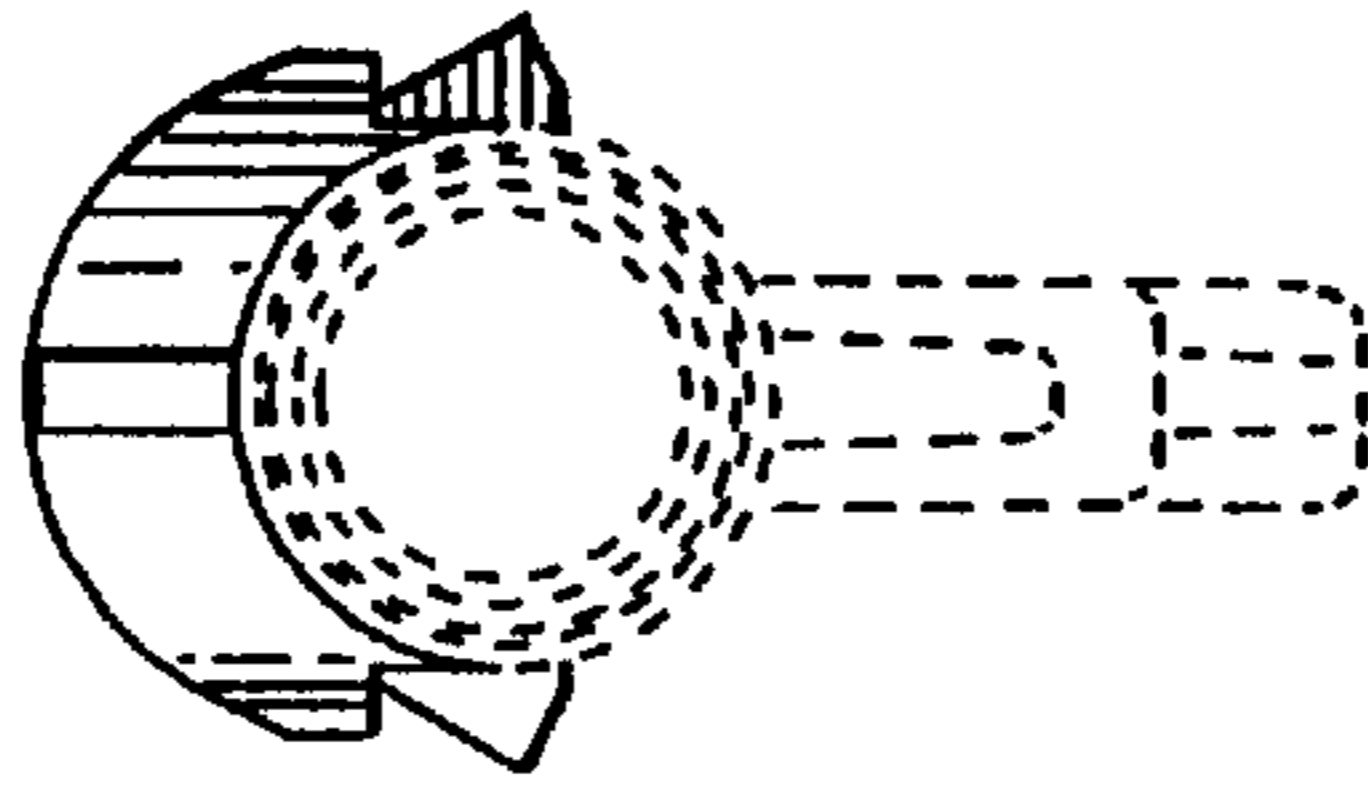


Fig. 6