



US00D408915S

United States Patent [19]
Ogiwara

[11] **Patent Number: Des. 408,915**

[45] **Date of Patent: **Apr. 27, 1999**

[54] **SCANNER FOR A DIAGNOSTIC MACHINE
USING A MAGNETIC RESONANCE
TOMOGRAPHY**

D. 345,606 3/1994 Perusek D24/159
D. 347,063 5/1994 Ariyoshi et al. D24/159
D. 399,958 10/1998 Hiramatsu D24/158
5,097,131 3/1992 Plummer et al. 250/363.08

[75] Inventor: **Susumu Ogiwara**, Ohtawara, Japan

Primary Examiner—Stella Reid
Attorney, Agent, or Firm—Oblon, Spivak, McClelland,
Maier & Neustadt, P.C.

[73] Assignee: **Kabushiki Kaisha Toshiba**, Kawasaki,
Japan

[**] Term: **14 Years**

[57] **CLAIM**

[21] Appl. No.: **29/079,750**

The ornamental design for scanner for a diagnostic machine
using a magnetic resonance tomography, as shown.

[22] Filed: **Nov. 7, 1997**

DESCRIPTION

[30] **Foreign Application Priority Data**

May 8, 1997 [JP] Japan 9-53715

FIG. 1 is a front, top and right side perspective view of
scanner for a diagnostic machine using a magnetic reso-
nance tomography, showing my new design;

[51] **LOC (6) Cl.** **24-01**

FIG. 2 is a front elevational view thereof;

[52] **U.S. Cl.** **D24/158**

FIG. 3 is a right side elevational view thereof; the opposite
side being identical thereof;

[58] **Field of Search** D24/158, 159;
378/4, 21-27; 250/363.01, 363.02, 363.04,
363.05, 363.08

FIG. 4 is a top plan view thereof; and,

FIG. 5 is a bottom plan view thereof.

[56] **References Cited**

U.S. PATENT DOCUMENTS

D. 283,729 5/1986 Ramsey D24/158

1 Claim, 1 Drawing Sheet

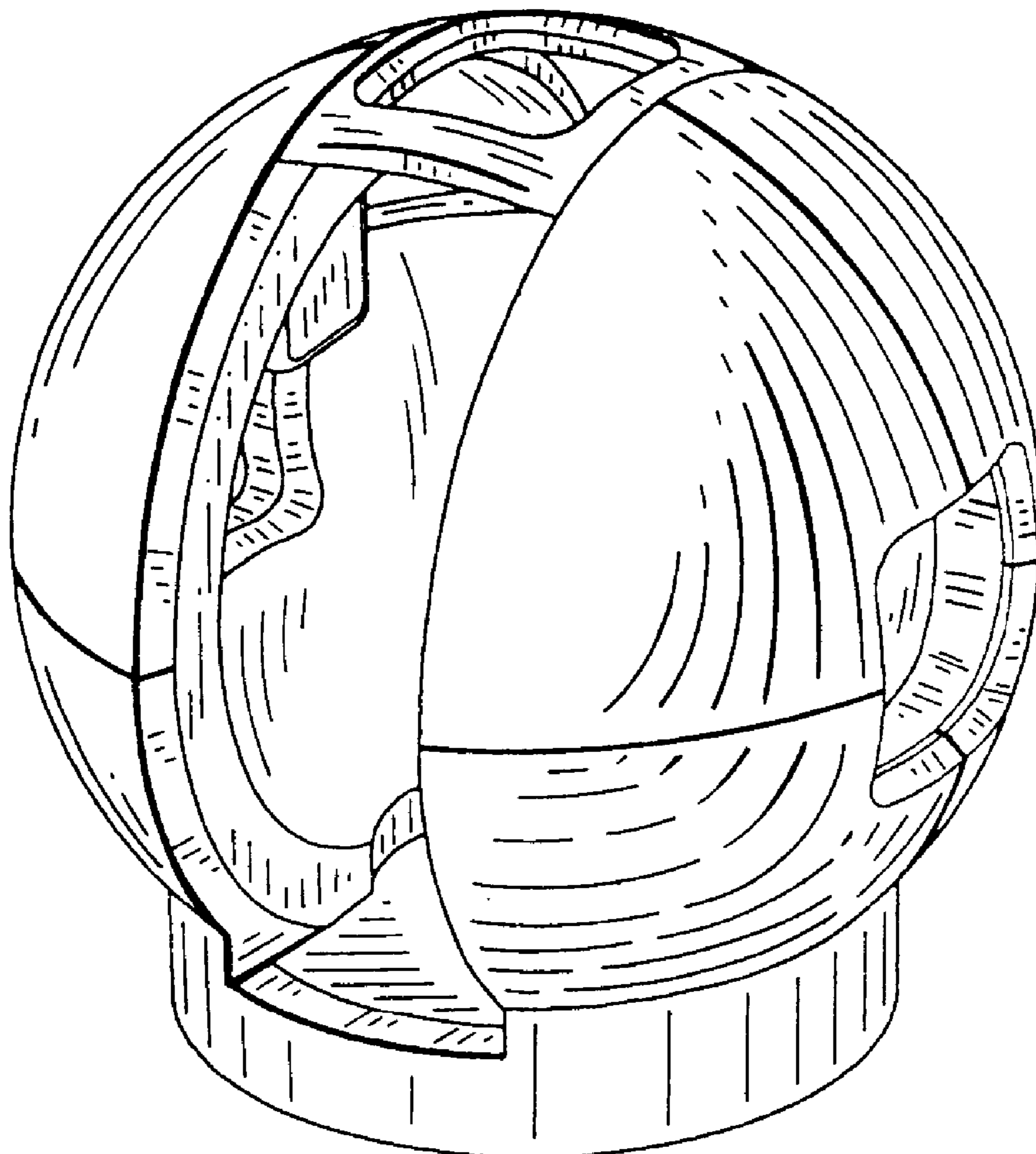


FIG. 1

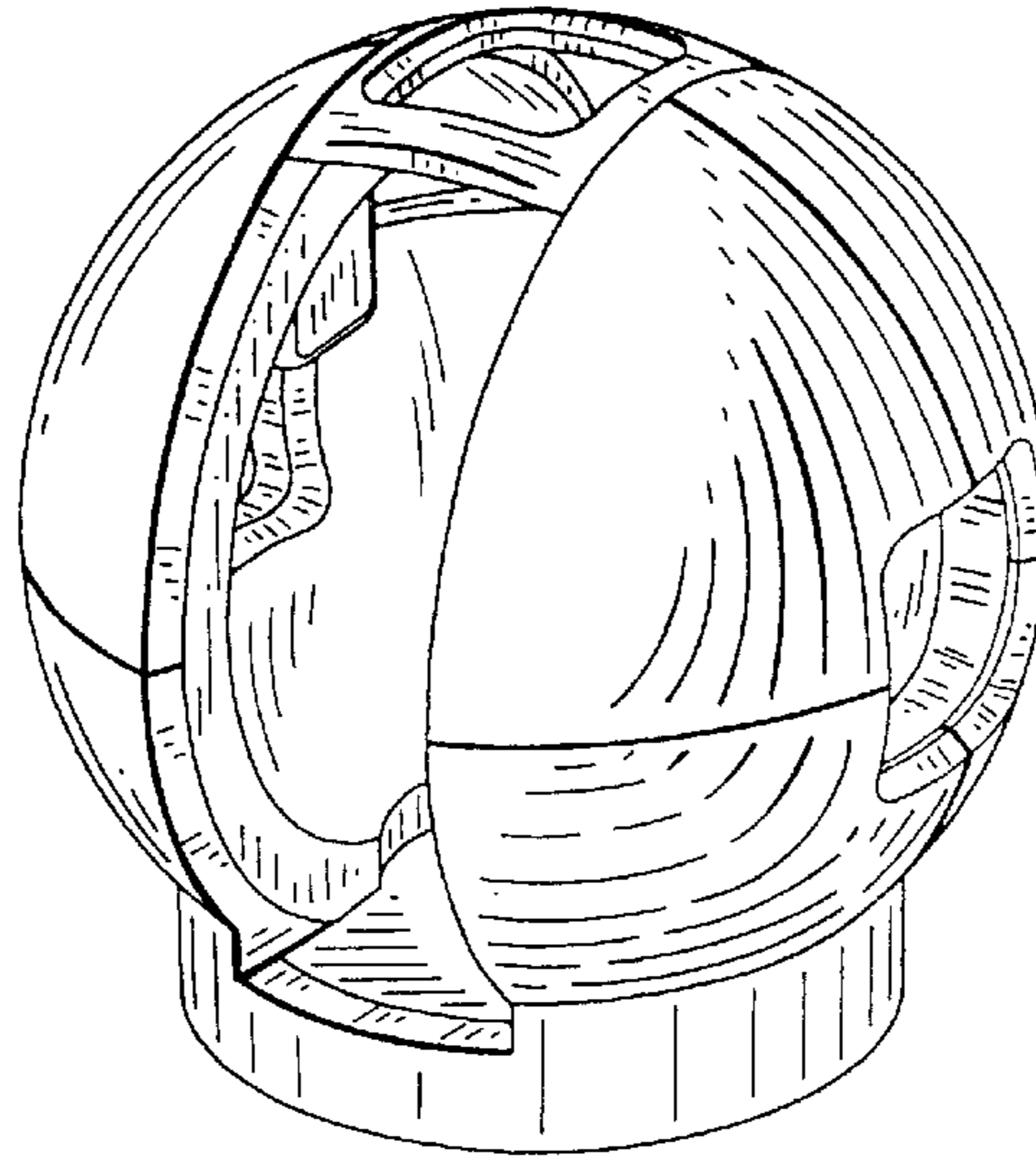


FIG. 2

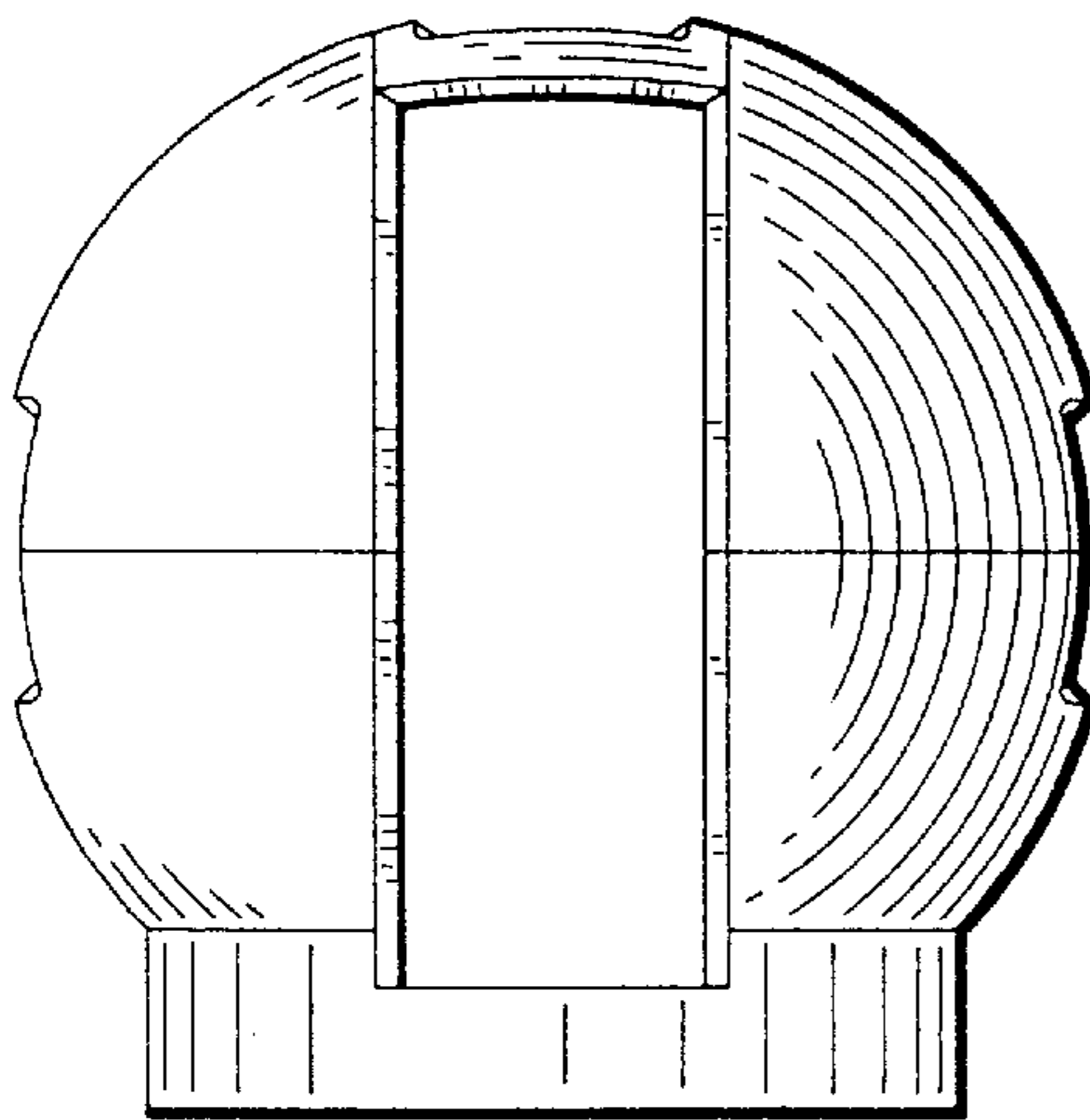


FIG. 3

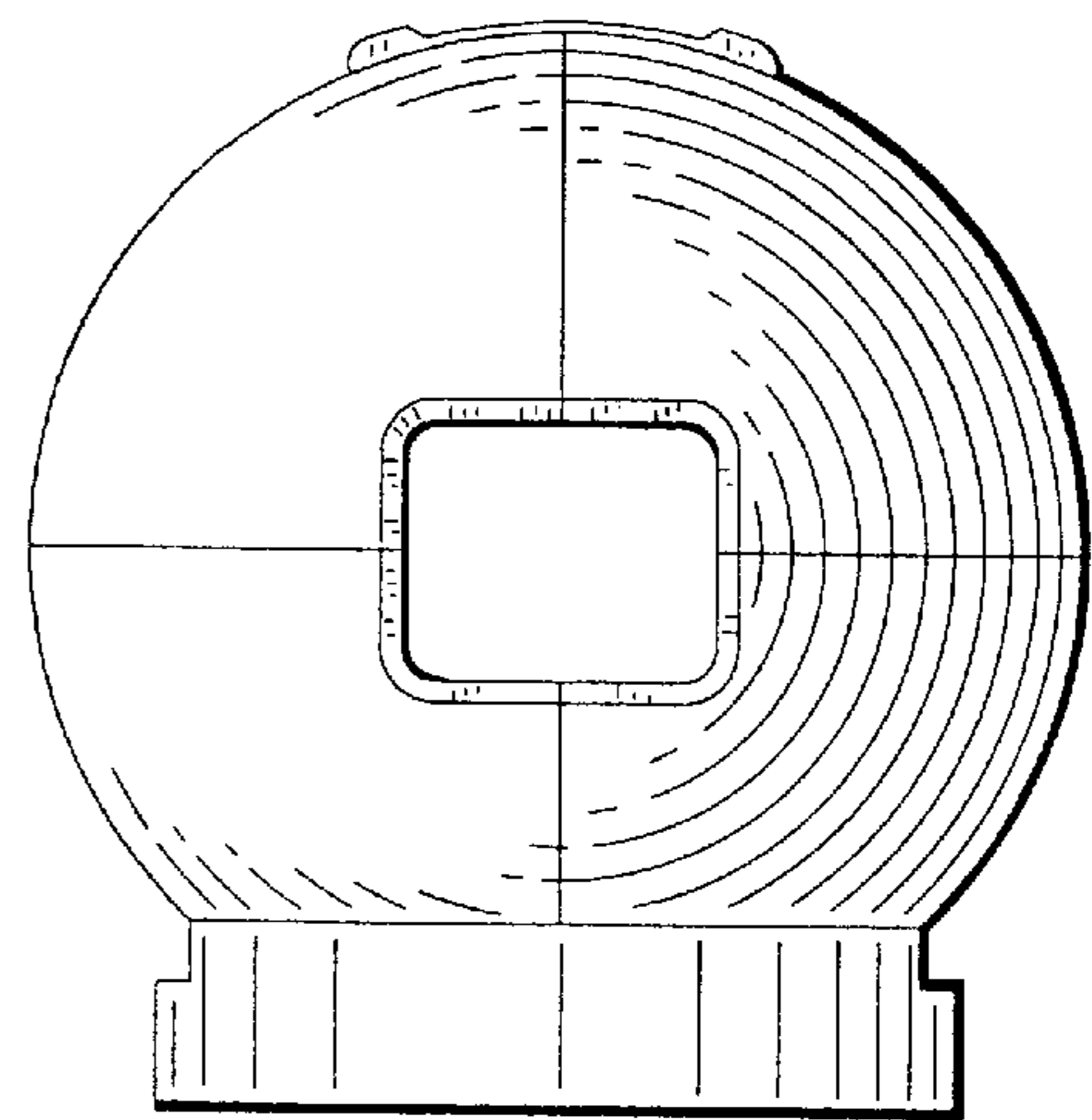


FIG. 4

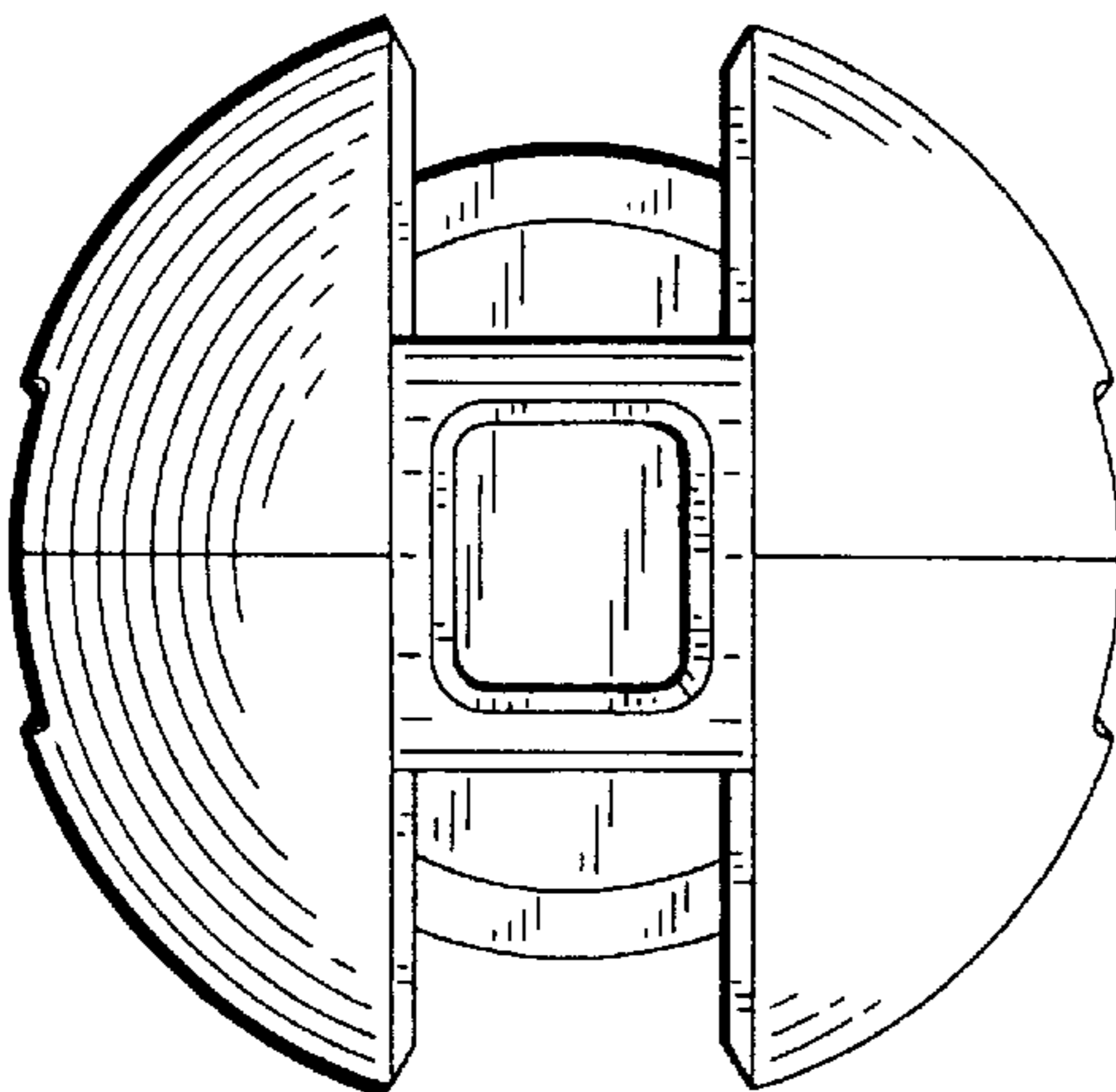


FIG. 5

