



US00D408913S

United States Patent [19]

Jones

[11] **Patent Number: Des. 408,913**

[45] **Date of Patent: **Apr. 27, 1999**

[54] **SPECIMEN CUP HOLDER**

5,558,840 9/1996 Jones et al. 422/104

[76] Inventor: **Timothy B. Jones**, 3525 Huntsman Ct.,
Edmond, Okla. 73003

Primary Examiner—Stella Reid
Assistant Examiner—I. Simmons

[**] Term: **14 Years**

[57] **CLAIM**

The ornamental design for a specimen cup holder, as shown.

[21] Appl. No.: **29/078,464**

[22] Filed: **Oct. 27, 1997**

DESCRIPTION

[51] **LOC (6) Cl.** **24-04**

[52] **U.S. Cl.** **D24/227; D24/227**

[58] **Field of Search** D24/128, 224,
D24/227; 206/363, 438, 303; 248/311.21,
315

FIG. 1 is a perspective view of a specimen cup holder showing my new design, the broken line showing of a specimen cup is for illustrative purposes only and forms no part of the claimed design;

FIG. 2 is a top plan view thereof;

FIG. 3 is a bottom plan view thereof;

FIG. 4 is a side elevational view thereof;

FIG. 5 is a side elevational view thereof, opposite that shown in FIG. 4;

FIG. 6 is a rear elevational view thereof; and,

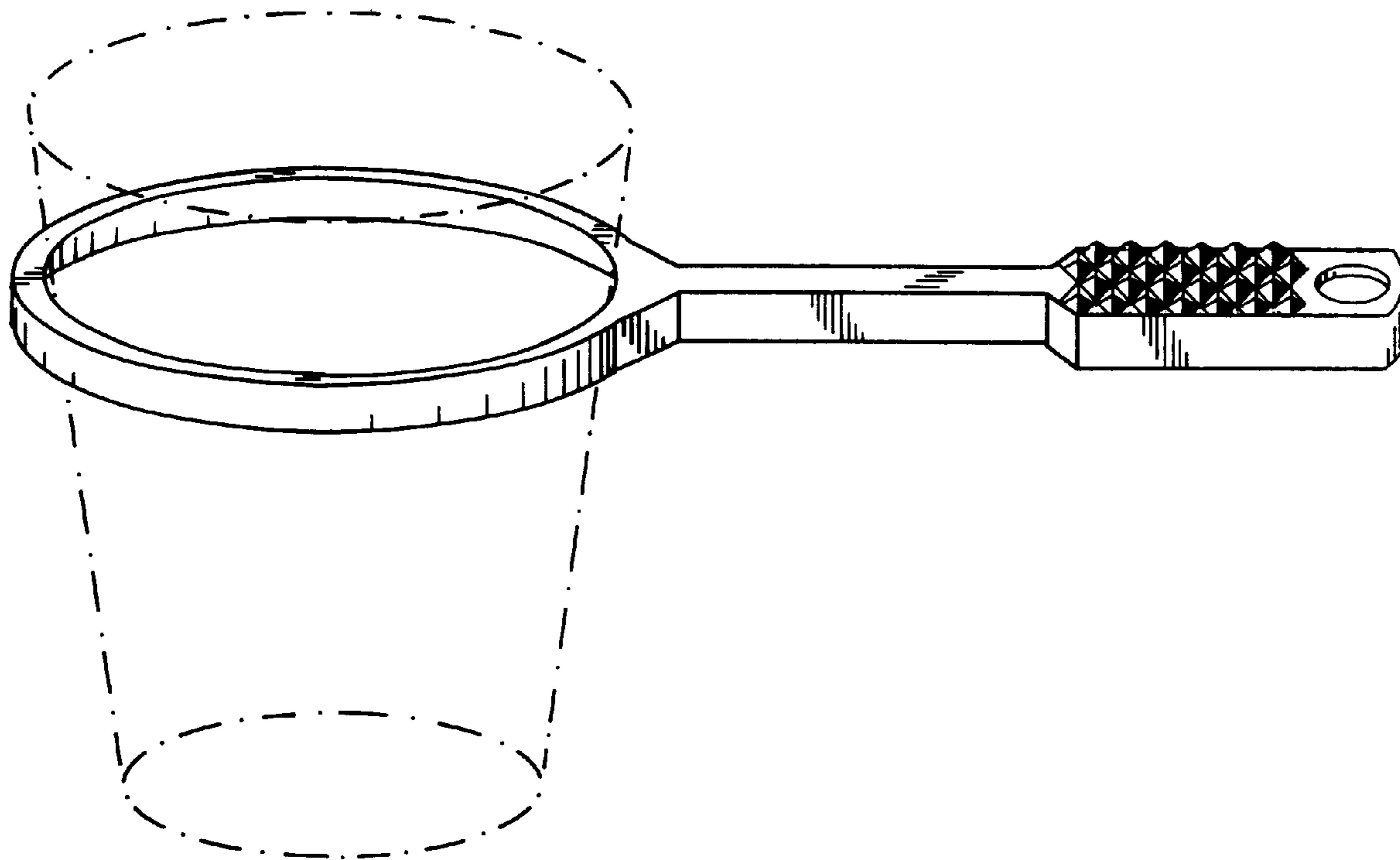
FIG. 7 is a front elevational view thereof.

[56] **References Cited**

U.S. PATENT DOCUMENTS

- D. 335,179 4/1993 Jones et al. D24/128
- D. 338,064 8/1993 Jones et al. D24/128
- D. 399,007 9/1998 Jones et al. D24/227
- 5,492,220 2/1996 Estay D24/128 X

1 Claim, 2 Drawing Sheets



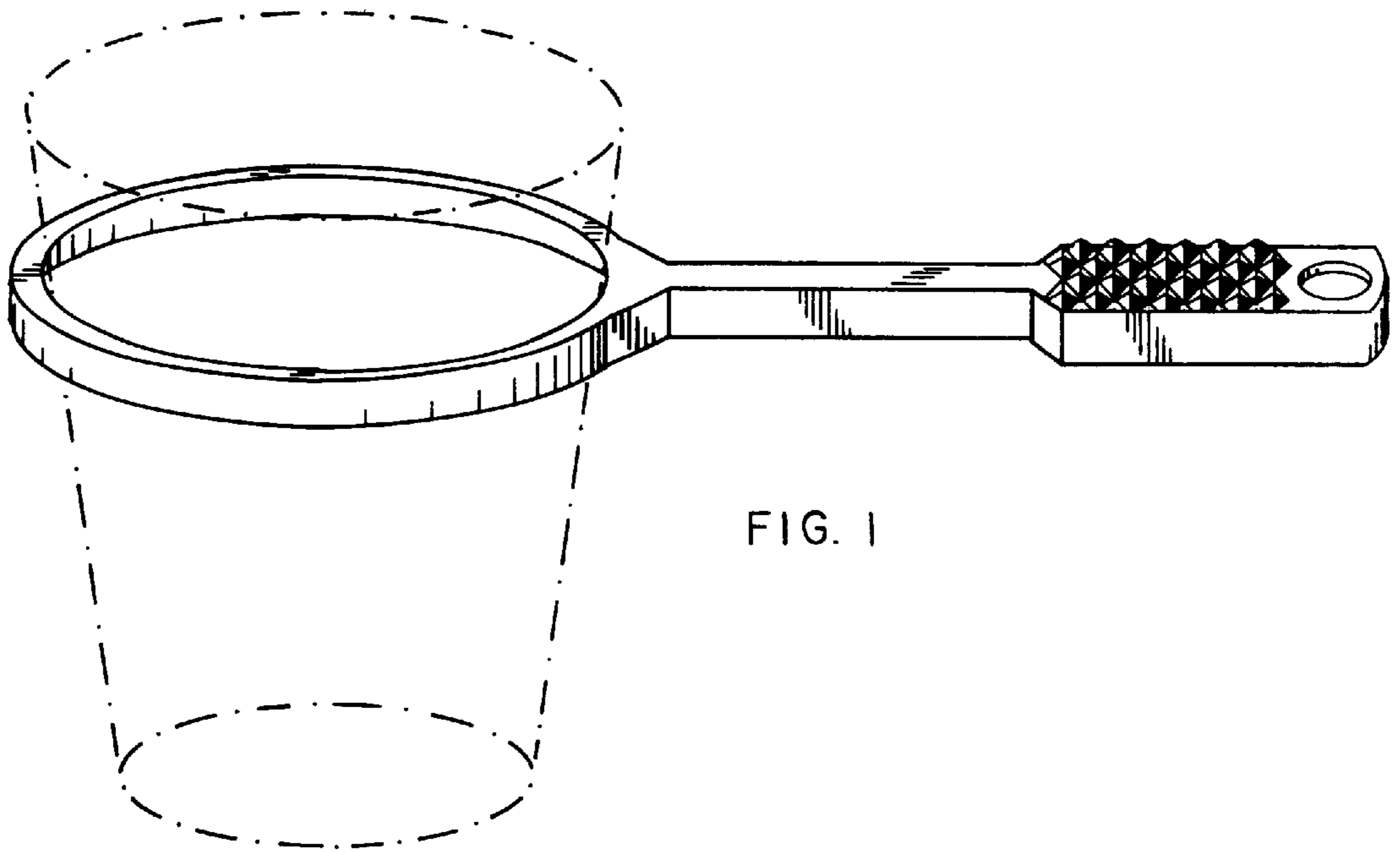


FIG. 1

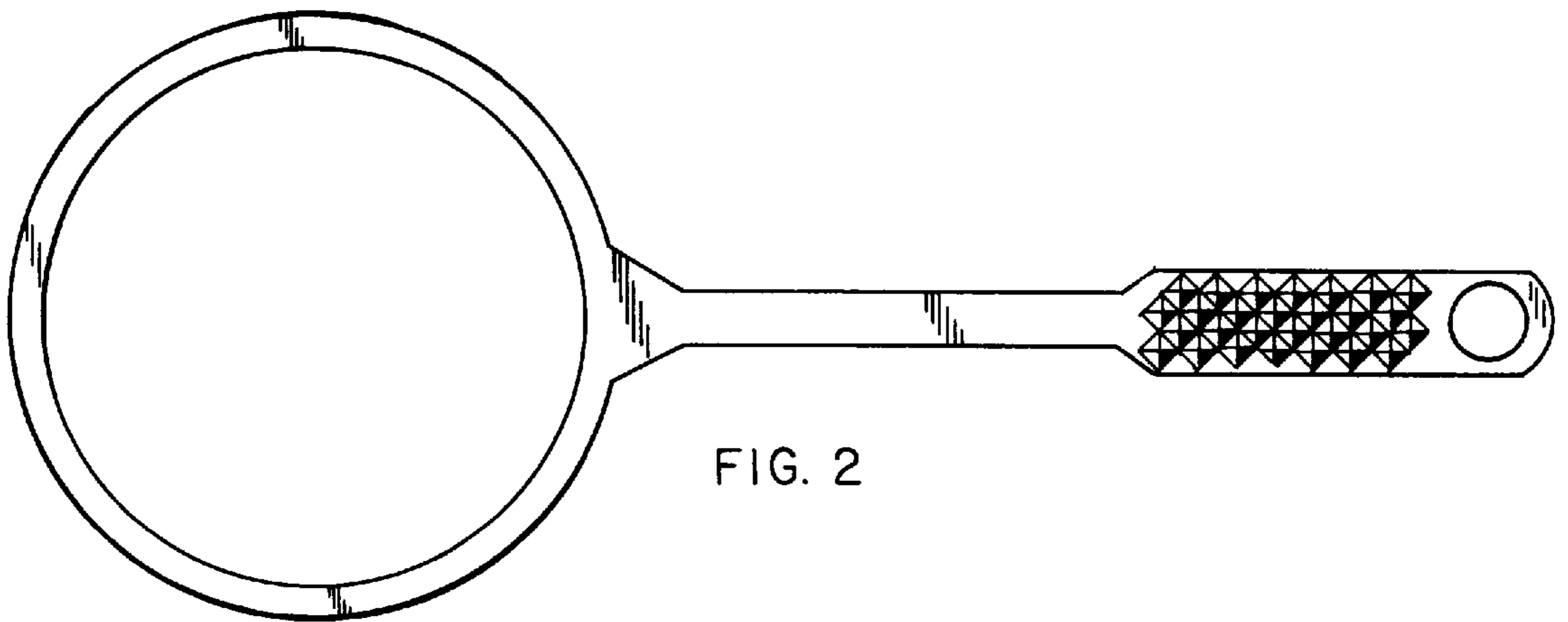


FIG. 2

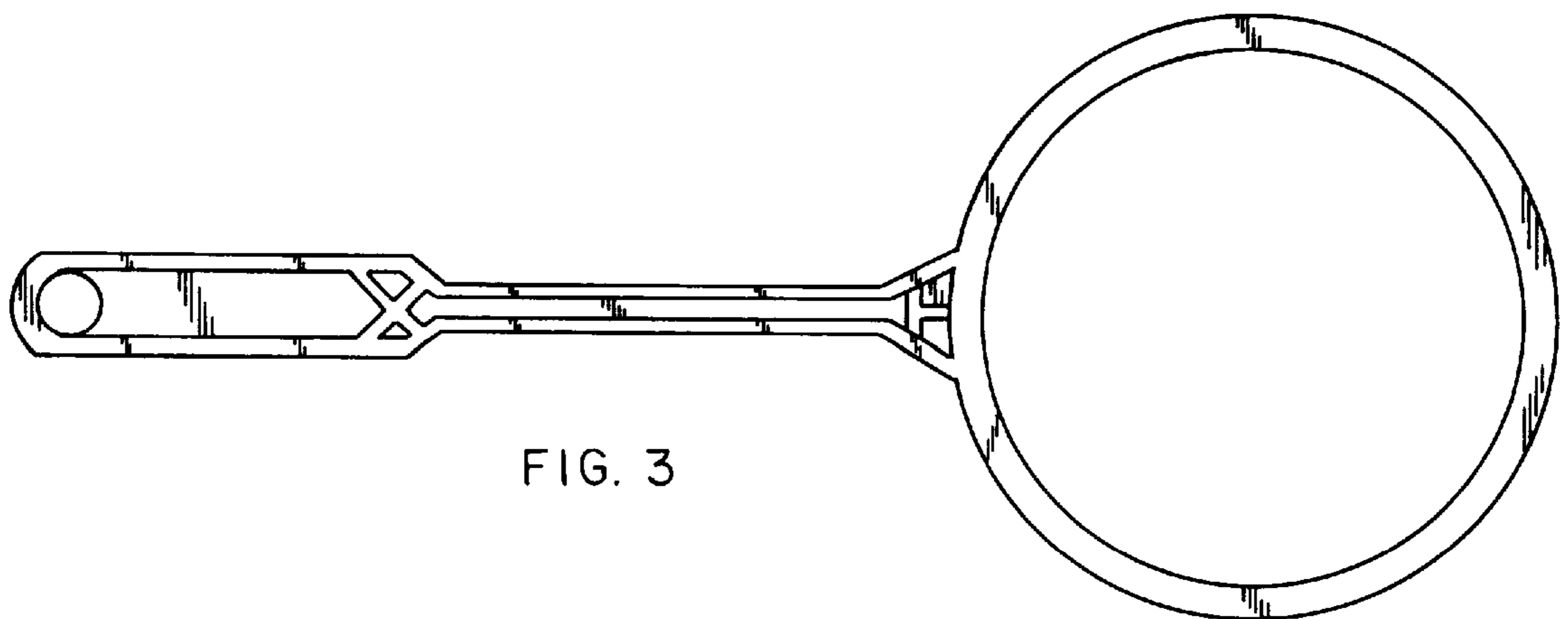


FIG. 3

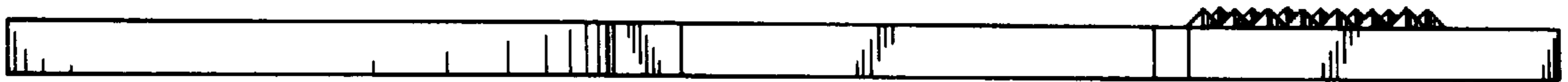


FIG. 4

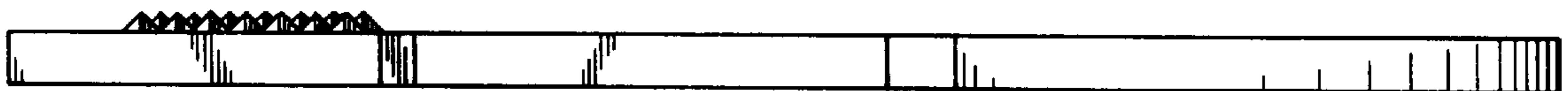


FIG. 5



FIG. 6



FIG. 7