



US00D408906S

United States Patent [19]

Toscano et al.

[11] Patent Number: **Des. 408,906**

[45] Date of Patent: ****Apr. 27, 1999**

[54] **CEILING FAN BOX**

[75] Inventors: **James Toscano**, Chapel Hill, N.C.;
Edward A. Ceraso, Ronkonkoma, N.Y.;
Darrell Wayne Craig, Madison; **Thomas Fred Roy**, Greensboro, both of N.C.

[73] Assignee: **Pass & Seymour, Inc.**, Solvay, N.Y.

[**] Term: **14 Years**

[21] Appl. No.: **29/069,615**

[22] Filed: **May 7, 1997**

[51] **LOC (6) Cl.** **23-04**

[52] **U.S. Cl.** **D23/411; D23/385**

[58] **Field of Search** **D23/377, 379, D23/385, 411, 386; 416/5, 244 R; 248/906, 343**

4,621,992 11/1986 Angott 496/5
4,634,345 1/1987 Staner et al. 416/5
5,613,832 3/1997 Su 416/5
5,623,789 4/1997 Fionell et al. 248/906

Primary Examiner—Lisa Lichtenstein
Attorney, Agent, or Firm—Bond, Schoeneck & King, LLP; Stephen B. Salai

[57] CLAIM

The ornamental design for a ceiling fan box, as shown.

DESCRIPTION

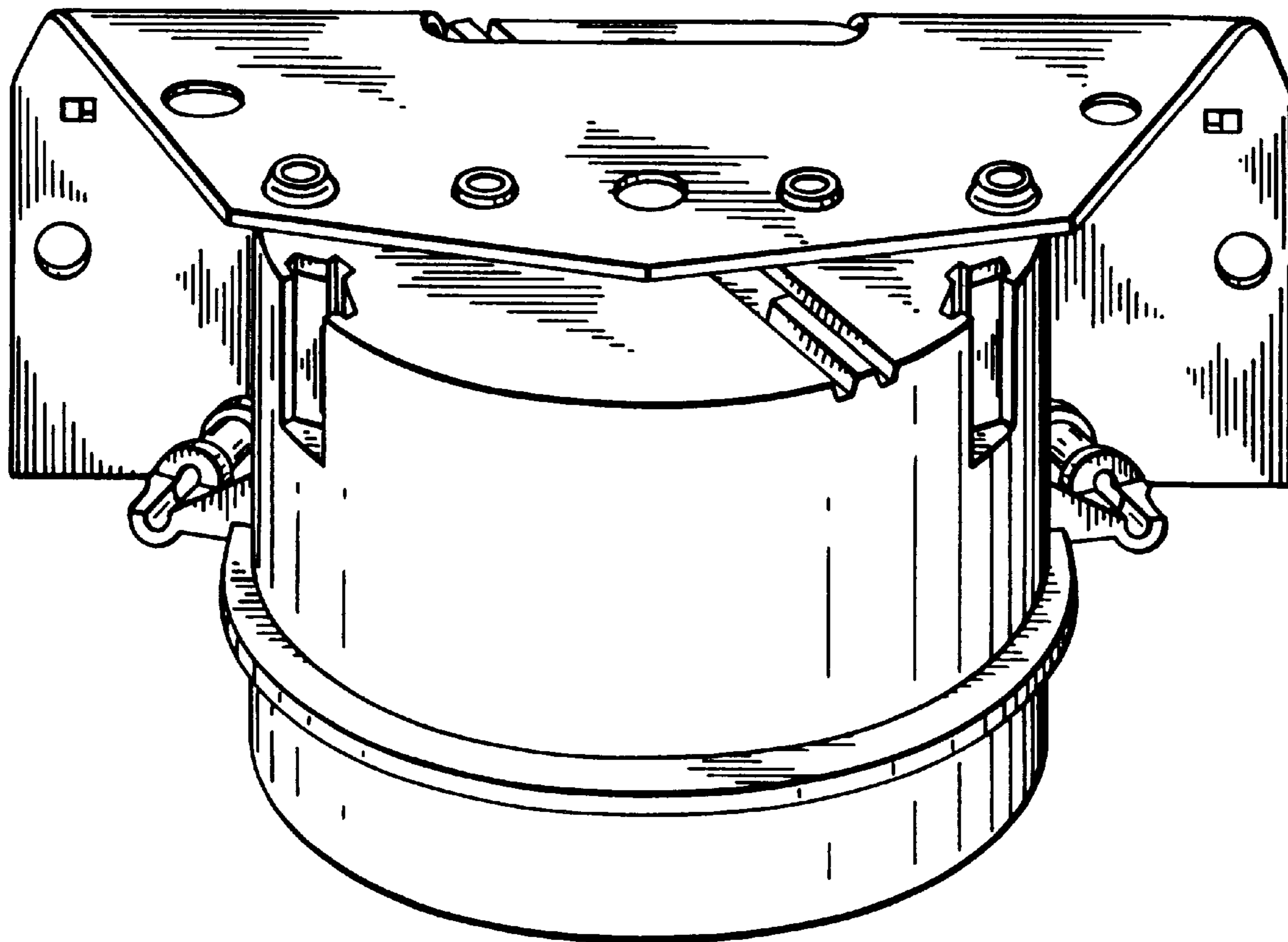
FIG. 1 is a front perspective view of a ceiling fan box, showing my new design;
FIG. 2 is a front view thereof;
FIG. 3 is a back view thereof;
FIG. 4 is a left side view thereof;
FIG. 5 is a right side view thereof;
FIG. 6 is a top plan view thereof; and,
FIG. 7 is a bottom plan view thereof.

[56] References Cited

U.S. PATENT DOCUMENTS

4,513,940 4/1985 Alderin et al. 248/343

1 Claim, 3 Drawing Sheets



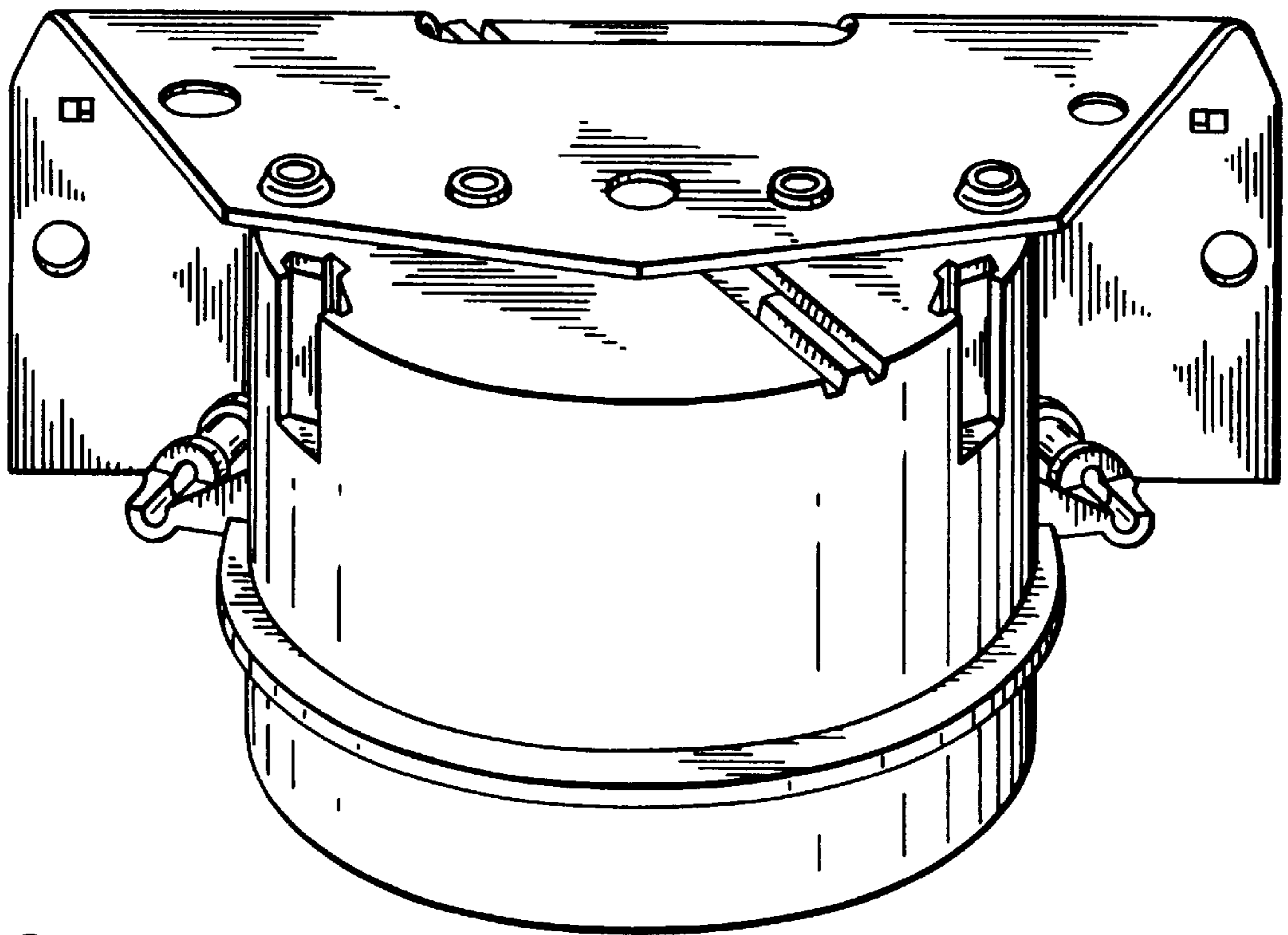


FIG. 1

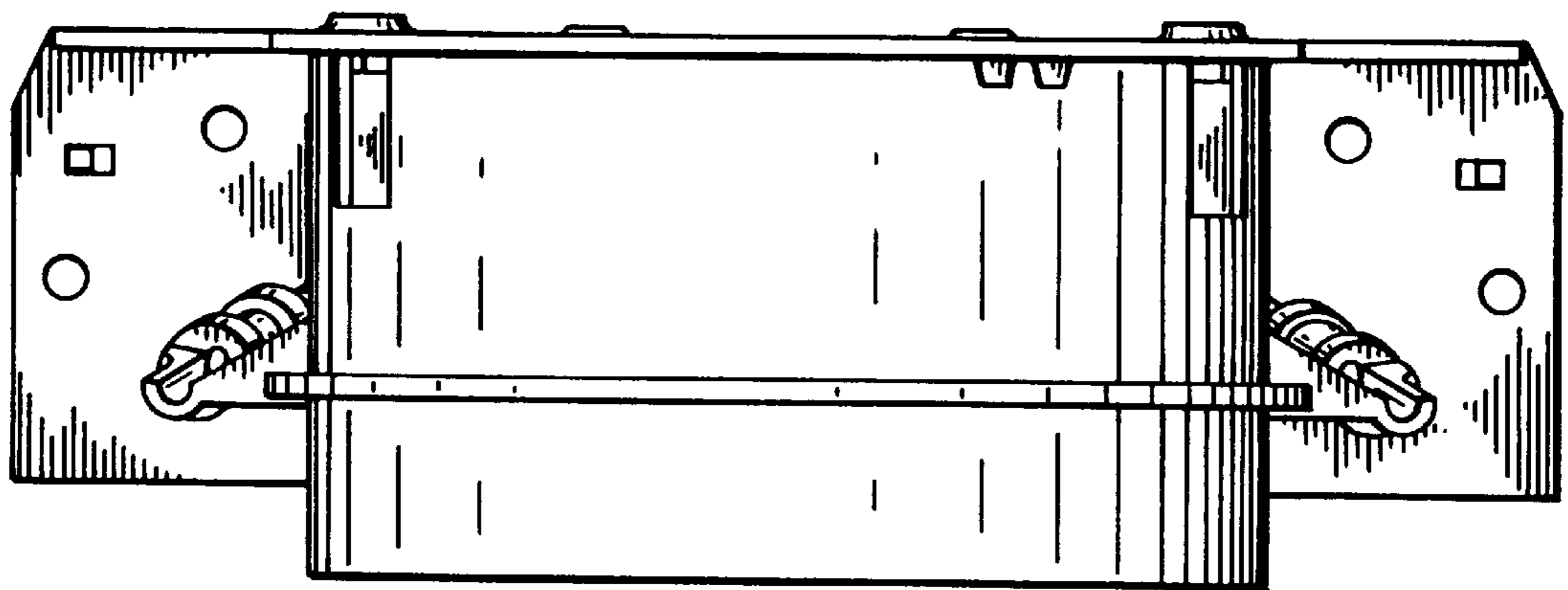


FIG. 2

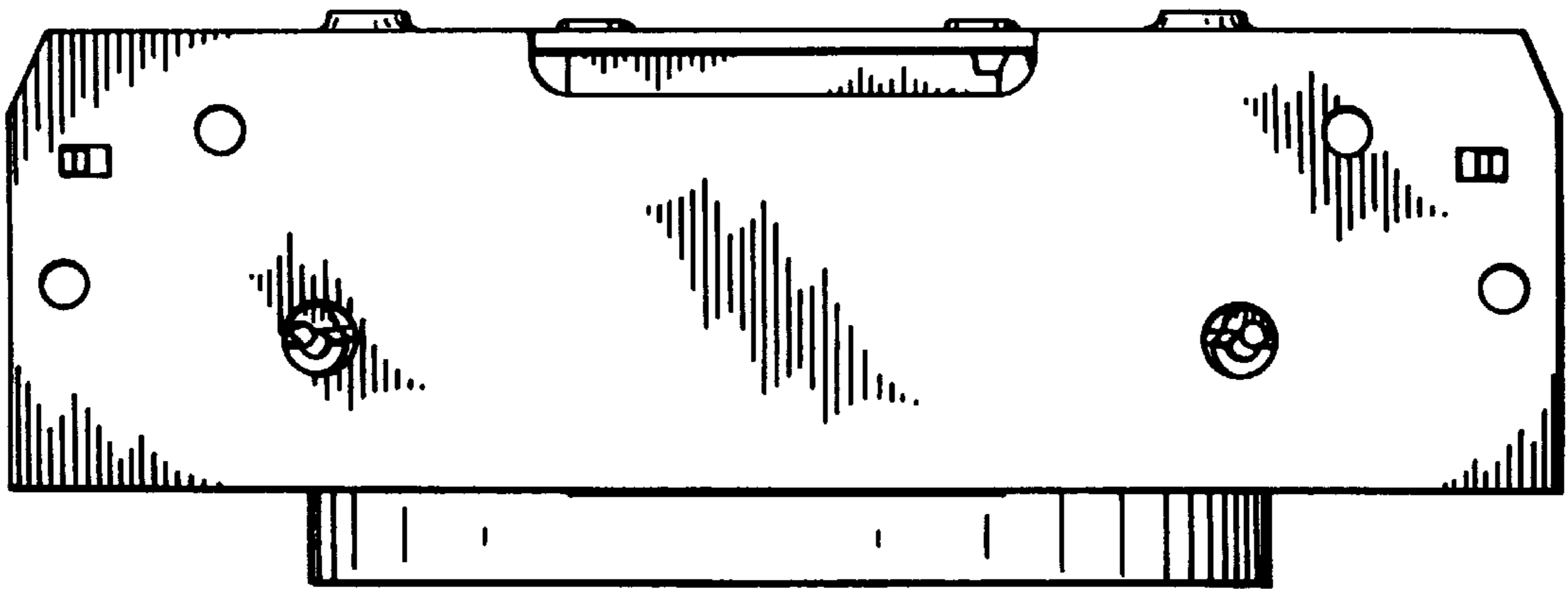


FIG. 3

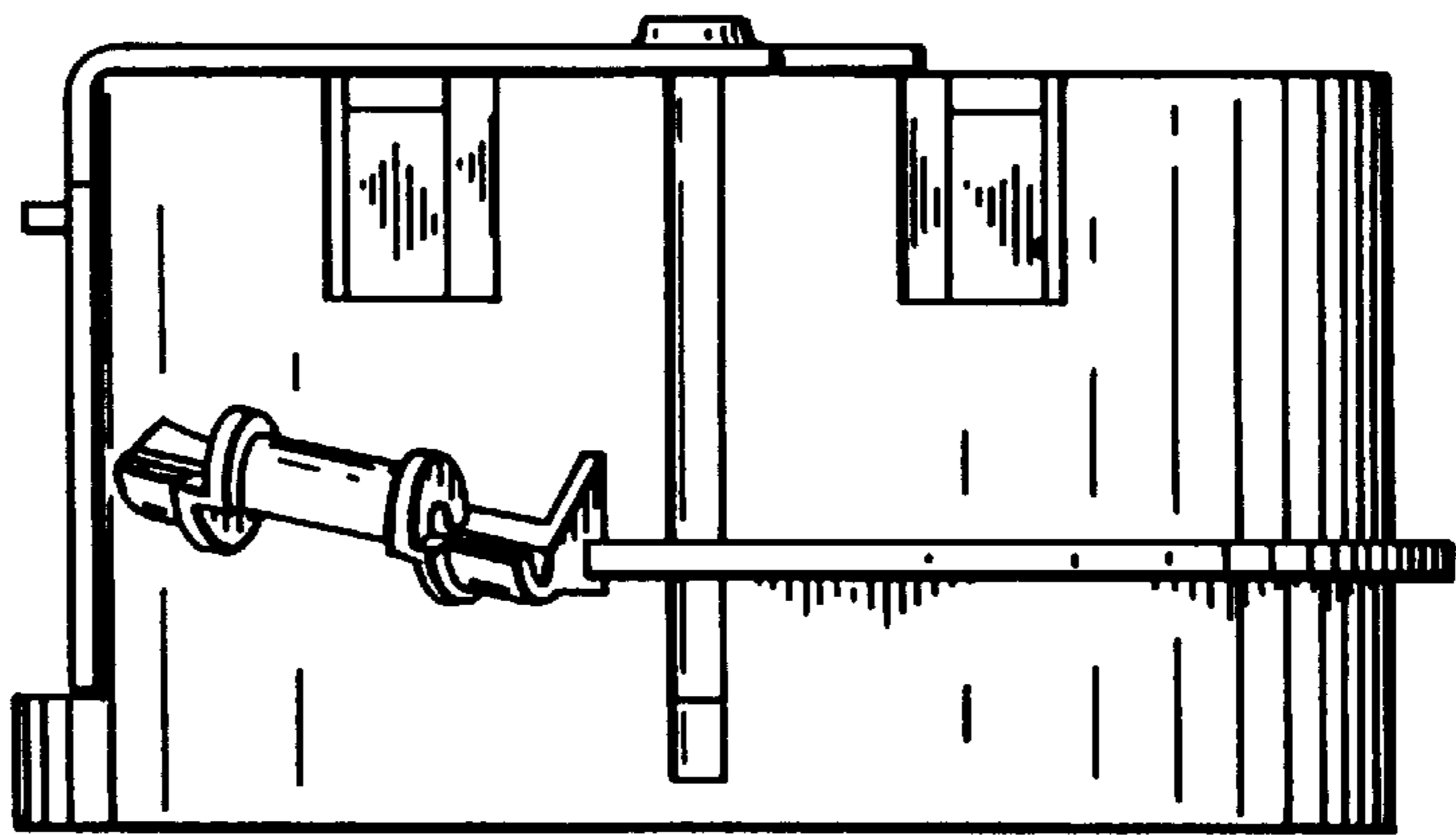


FIG. 4

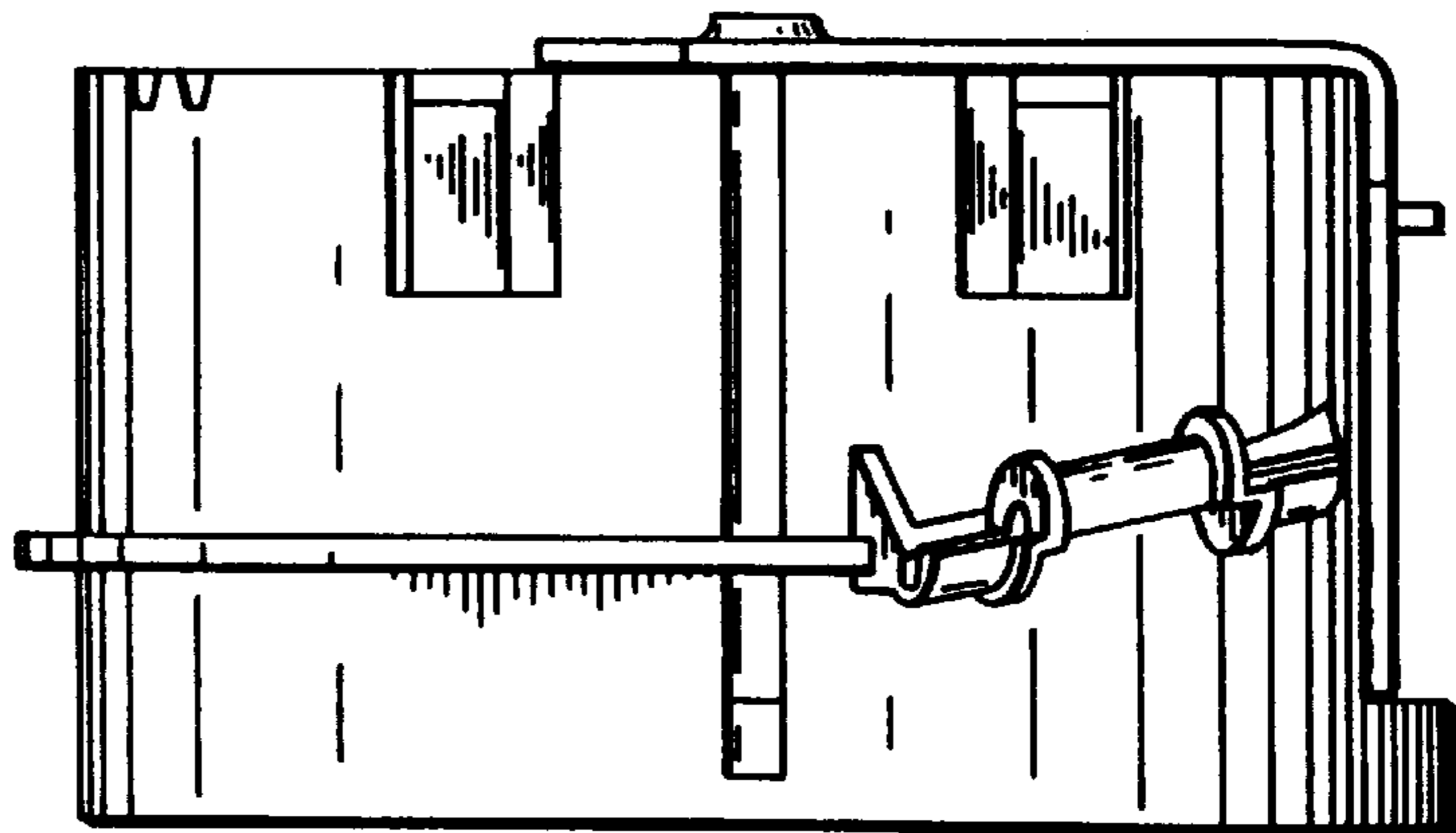


FIG. 5

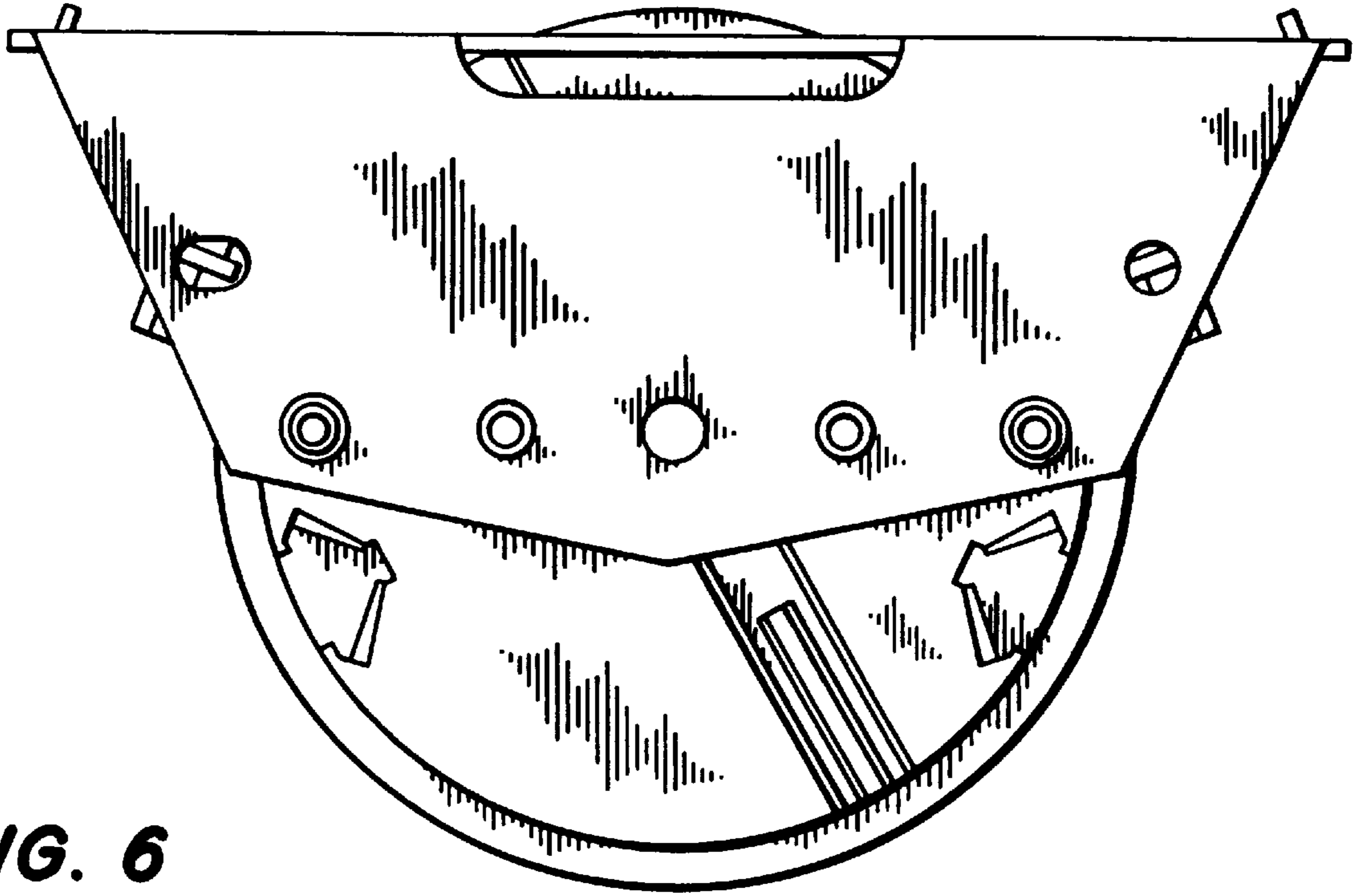


FIG. 6

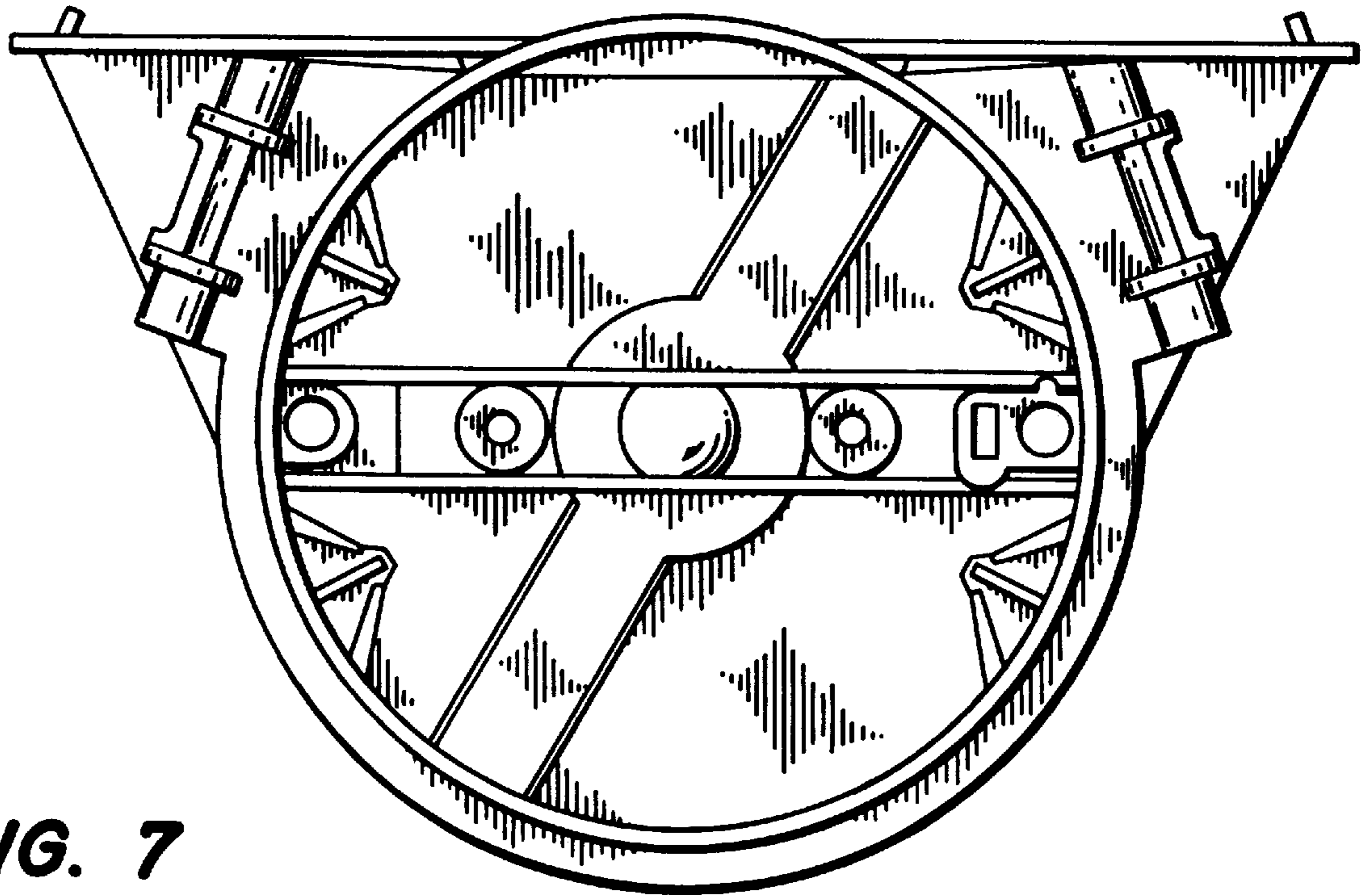


FIG. 7