



US00D408904S

**United States Patent** [19]  
**Liu**

[11] **Patent Number: Des. 408,904**

[45] **Date of Patent: \*\*Apr. 27, 1999**

[54] **COMBINED CEILING FAN AND LIGHT  
FIXTURE**

D. 346,858 5/1994 Lee ..... D23/379  
D. 366,111 1/1996 DiPasquale ..... D23/411  
D. 377,392 1/1997 Liu ..... D23/411

[75] Inventor: **Chen-Tzu Liu**, Fengyuan, Taiwan

[73] Assignee: **Pan Electric Co., Ltd.**, Taiwan

[\*\*] Term: **14 Years**

*Primary Examiner*—Lisa Lichtenstein  
*Attorney, Agent, or Firm*—Thomas, Kayden, Horstemeyer  
& Risley, L.L.P.

[21] Appl. No.: **29/092,786**

[22] Filed: **Aug. 27, 1998**

[51] **LOC (6) Cl.** ..... **23-04**

[52] **U.S. Cl.** ..... **D23/377; D23/379; D23/386;  
D26/59**

[58] **Field of Search** ..... D23/377, 379,  
D23/385, 411, 413; 416/5; 392/364; 362/96;  
D26/81-86, 88, 57, 59, 72

[57] **CLAIM**

The ornamental design for a combined ceiling fan and light fixture, as shown.

**DESCRIPTION**

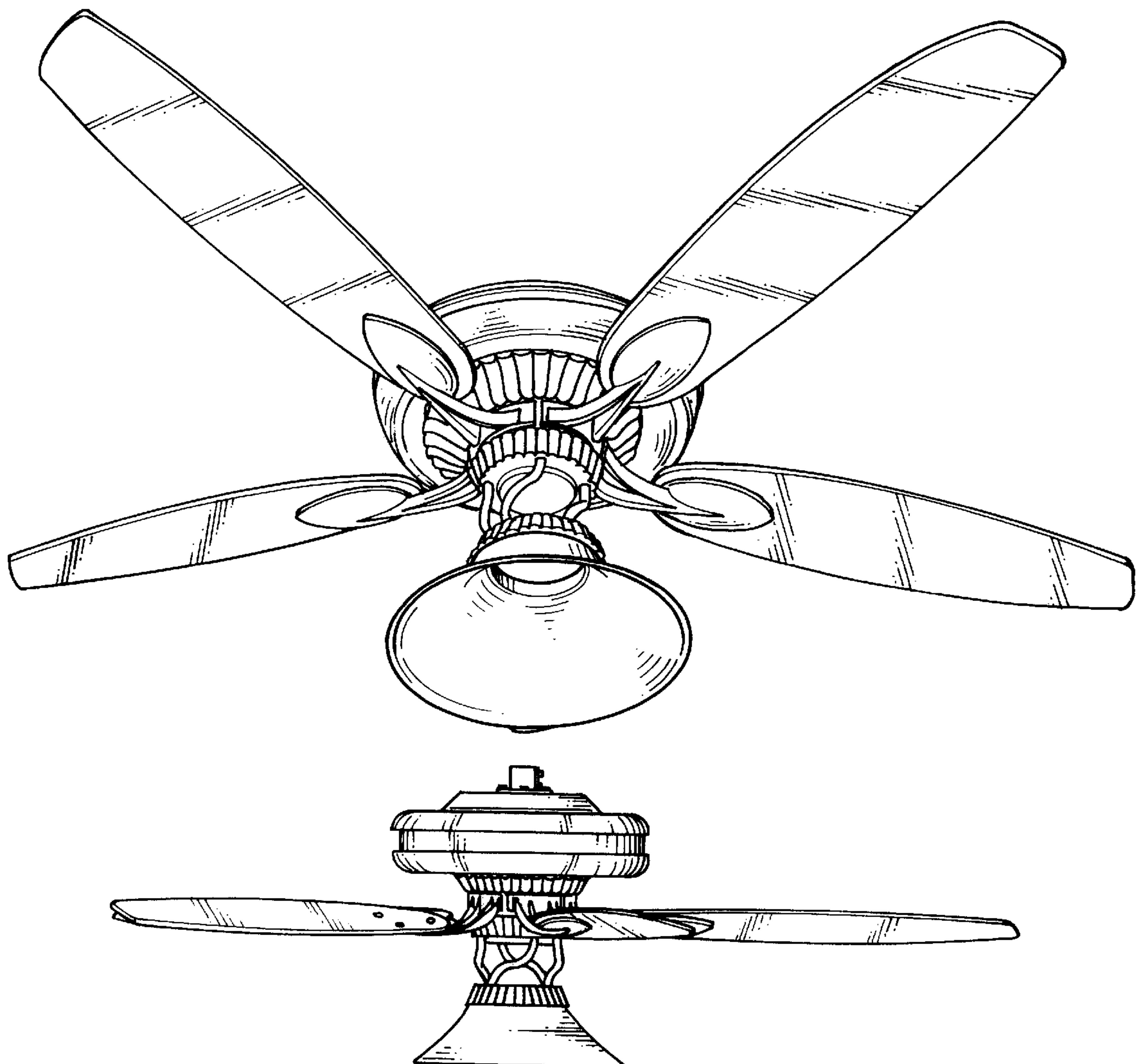
FIG. 1 is a front-right-bottom perspective view of a combined ceiling fan and light fixture showing my new design; FIG. 2 is a front plan view thereof; FIG. 3 is a rear plan view thereof; FIG. 4 is a left side plan view thereof; FIG. 5 is a right side plan view thereof; FIG. 6 is a top plan view thereof; and, FIG. 7 is a bottom plan view thereof.

[56] **References Cited**

**U.S. PATENT DOCUMENTS**

D. 31,900 11/1899 Brown ..... D23/411

**1 Claim, 4 Drawing Sheets**



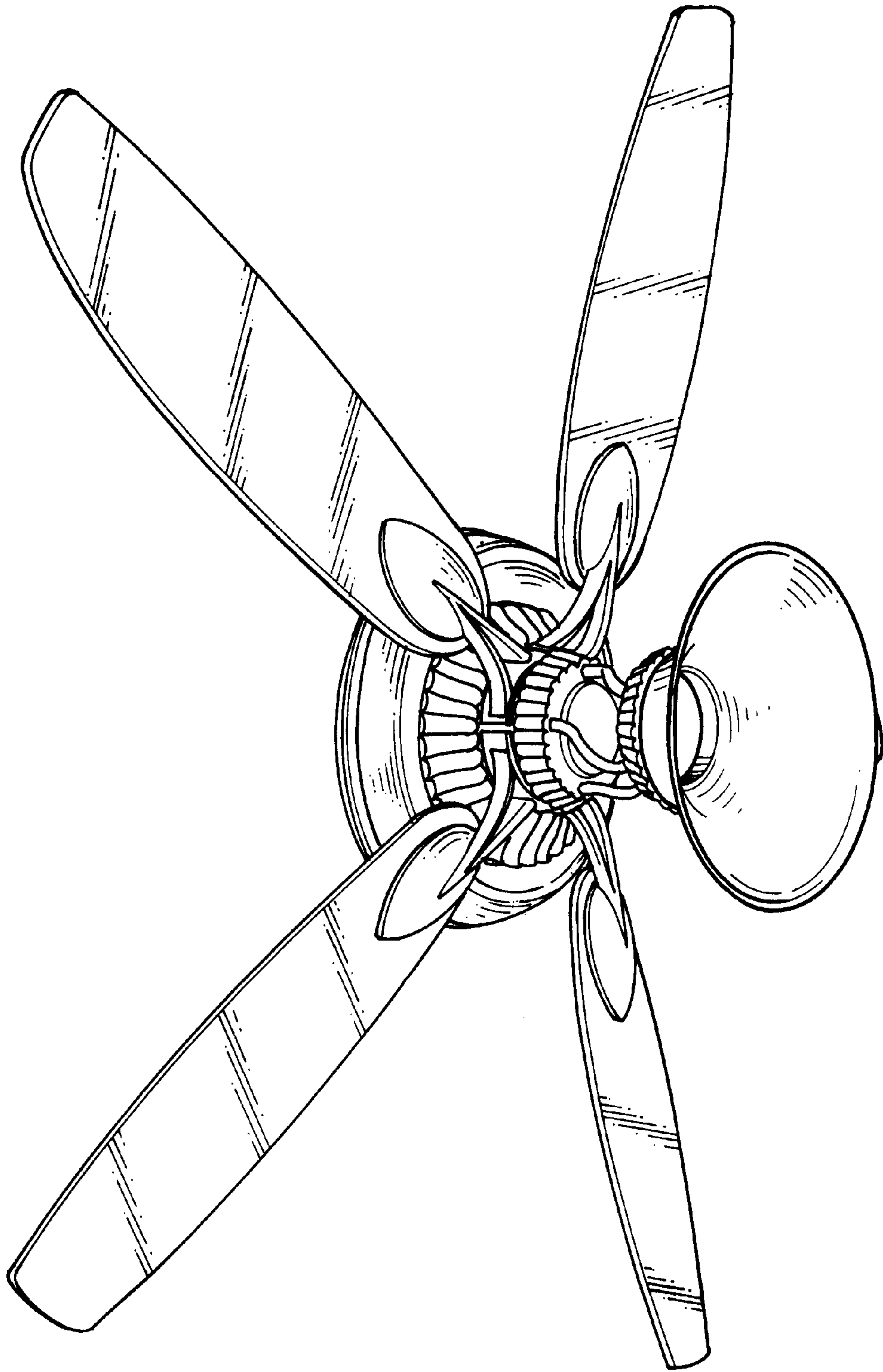


FIG. 1

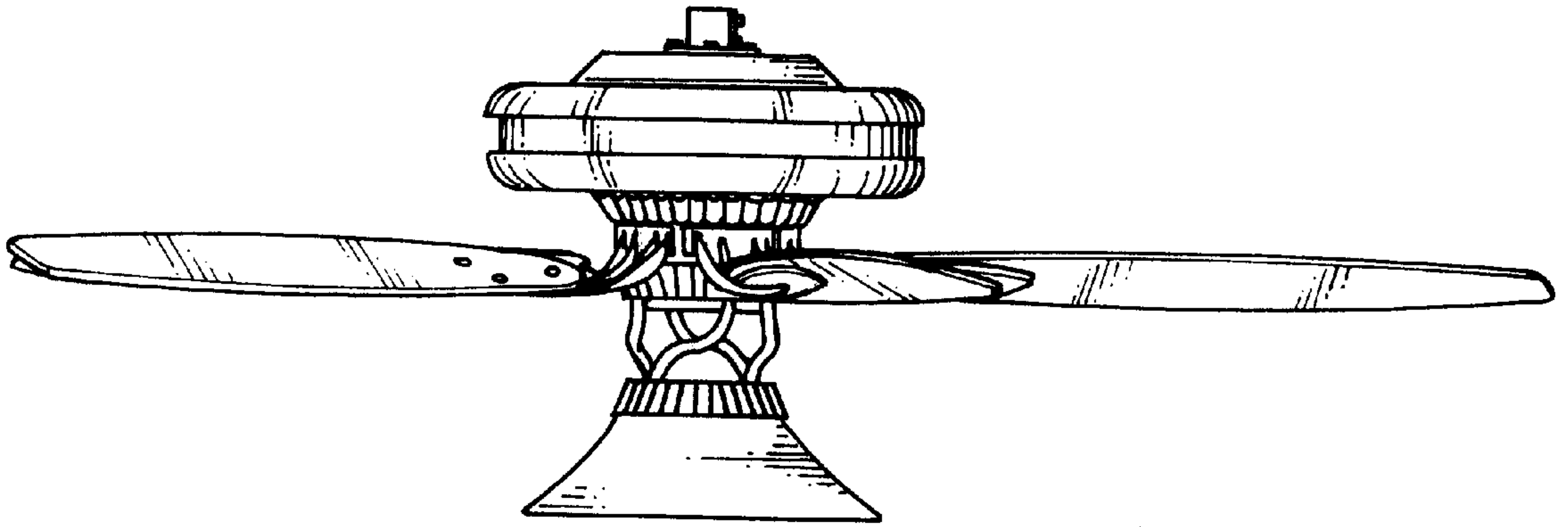


FIG. 2

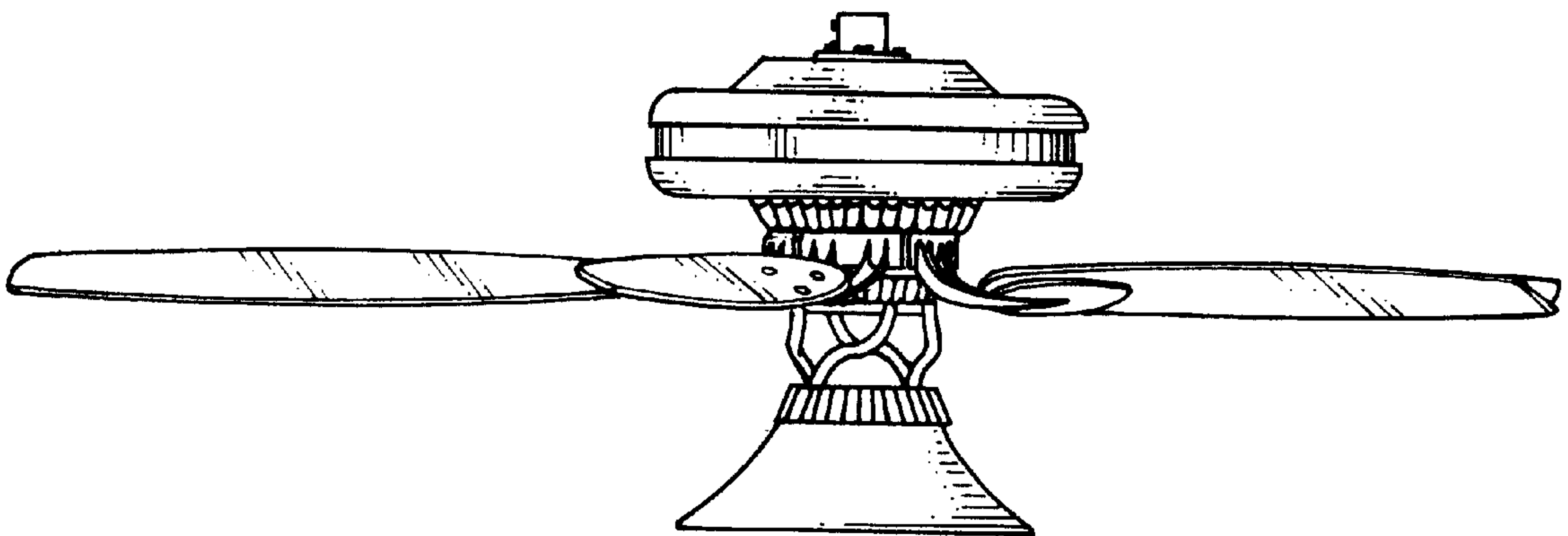


FIG. 3

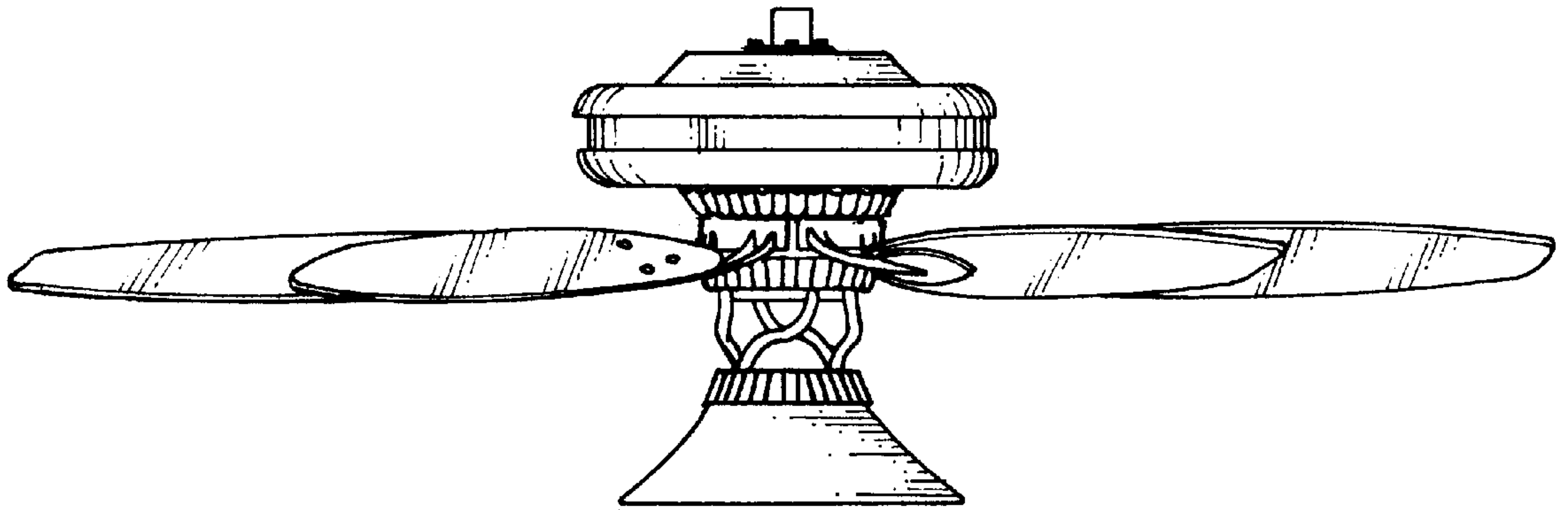


FIG. 4

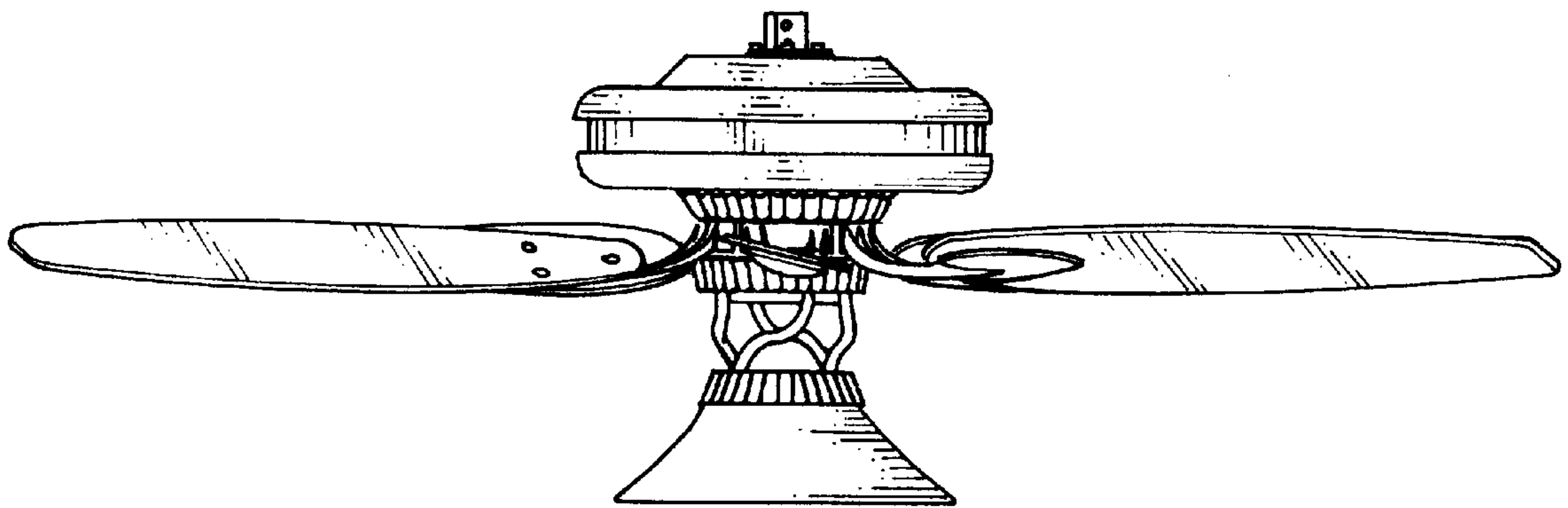


FIG. 5

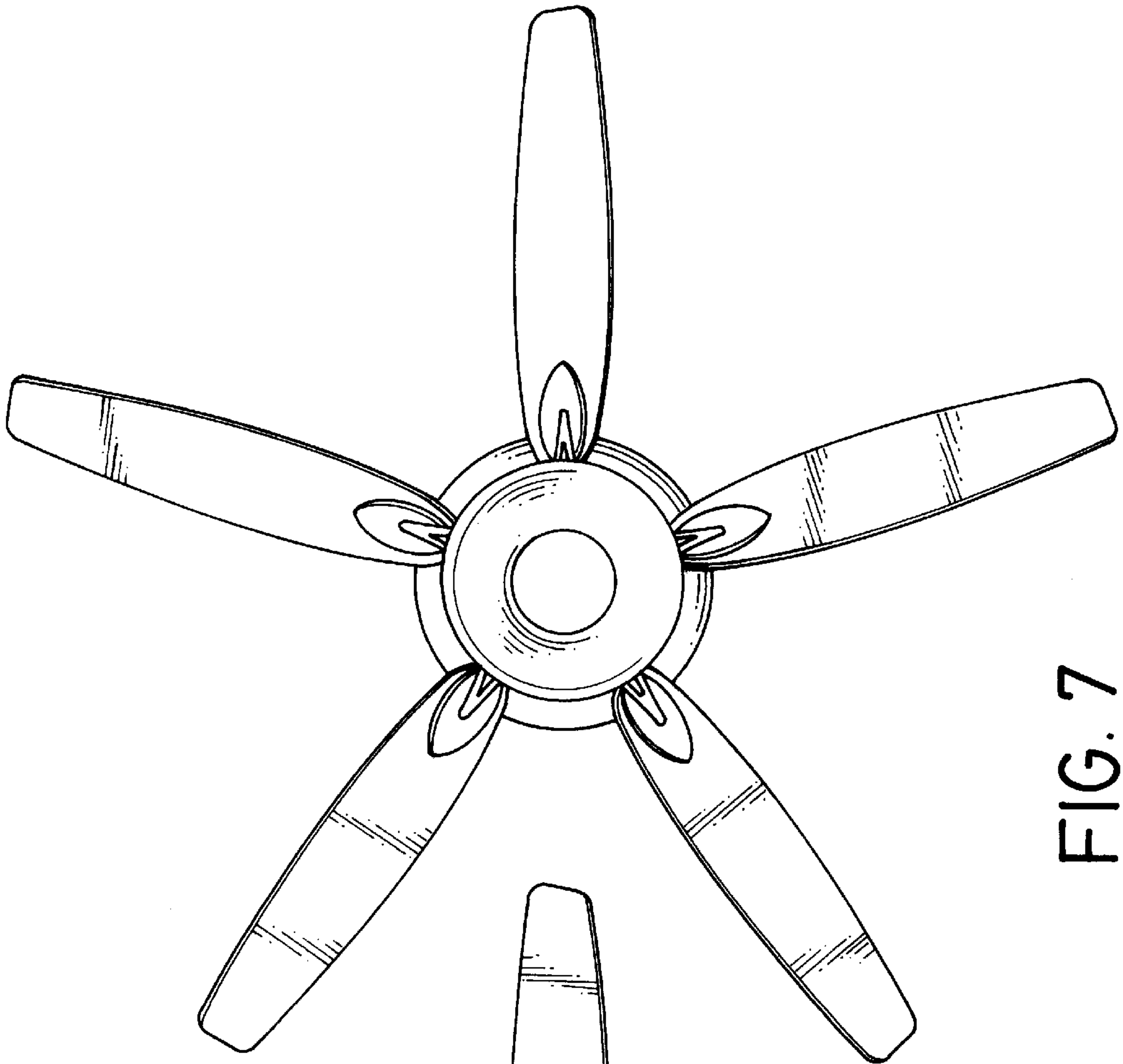


FIG. 7

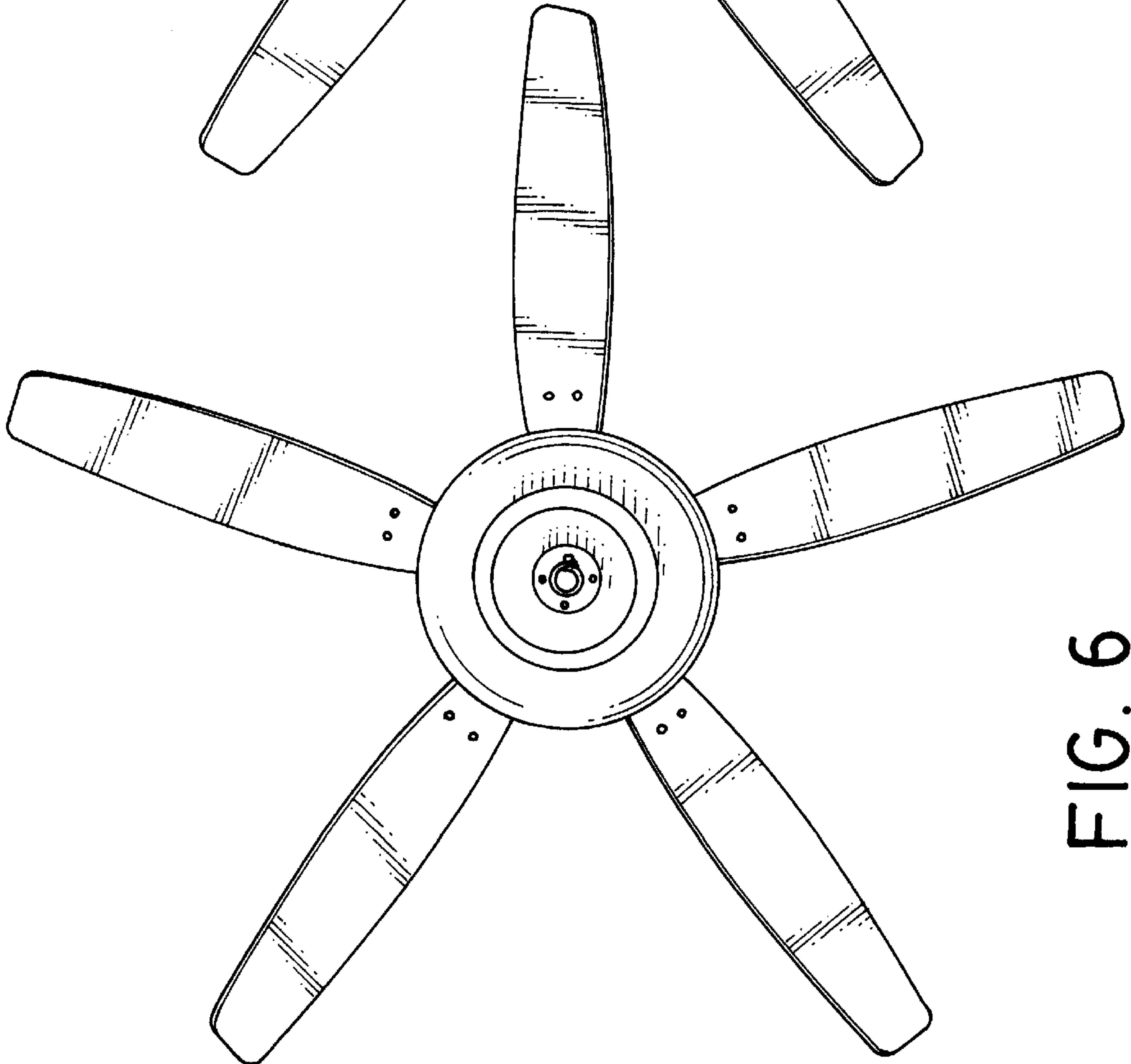


FIG. 6