



US00D408902S

United States Patent [19]

Berry et al.

[11] Patent Number: **Des. 408,902**

[45] Date of Patent: ****Apr. 27, 1999**

[54] **TOILET VENTILATION INSERT**

[76] Inventors: **Billy B Berry; Robert L. Keene**, both
of P.O. Box 6547, Tulsa, Okla.
74156-0547

[**] Term: **14 Years**

[21] Appl. No.: **29/084,894**

[22] Filed: **Mar. 12, 1998**

[51] **LOC (6) Cl.** **23-02**

[52] **U.S. Cl.** **D23/311**

[58] **Field of Search** D23/303, 313;
422/37; 4/222, 233, 223, 224, 231, 420.4,
213, 217, 347, 352

5,727,263 3/1998 Hugo Ceja Estrada 4/216

Primary Examiner—Louis S. Zarfes
Assistant Examiner—Eric Watterson

[57] CLAIM

The ornamental design for a toilet ventilation insert, as shown.

DESCRIPTION

FIG. 1 is a front elevational view of the toilet ventilation insert of the present invention;

FIG. 2 is a back elevational view of the toilet ventilation insert of FIG. 1;

FIG. 3 is a left side elevational view of the toilet ventilation insert of FIG. 1;

FIG. 4 is a right side elevational view of the toilet ventilation insert of FIG. 1;

FIG. 5 is a top plan view of the toilet ventilation insert of FIG. 1; and,

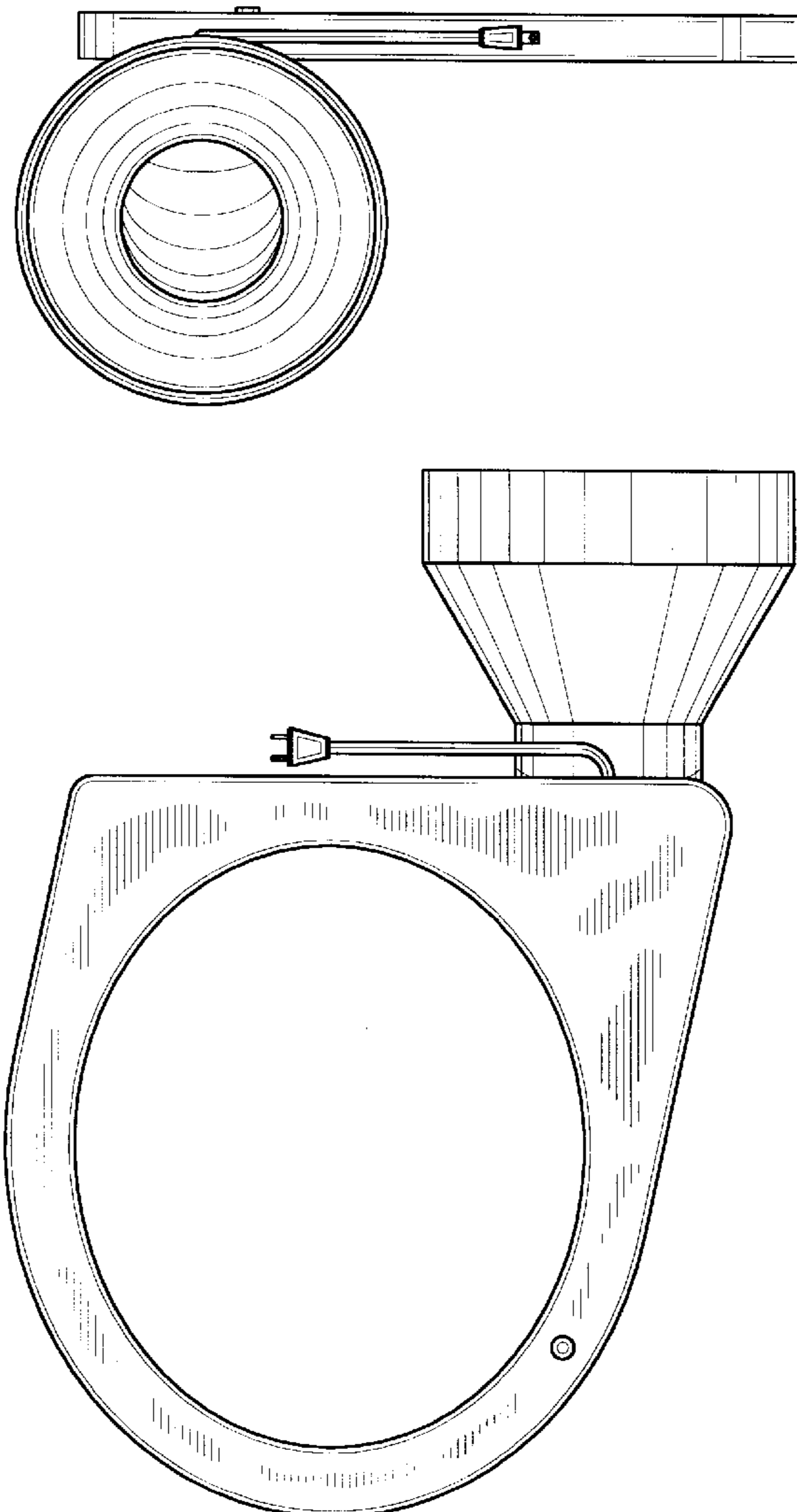
FIG. 6 is a bottom plan view of the toilet ventilation insert of FIG. 1.

[56] **References Cited**

U.S. PATENT DOCUMENTS

| | | | | |
|------------|---------|---------------|-------|---------|
| D. 290,037 | 5/1987 | Todd, Jr. | | D23/311 |
| 5,522,093 | 6/1996 | Schaffer | | 4/213 |
| 5,575,019 | 11/1996 | Kijewski | | 4/209 R |
| 5,638,553 | 6/1997 | Loewen et al. | | 4/217 |

1 Claim, 3 Drawing Sheets



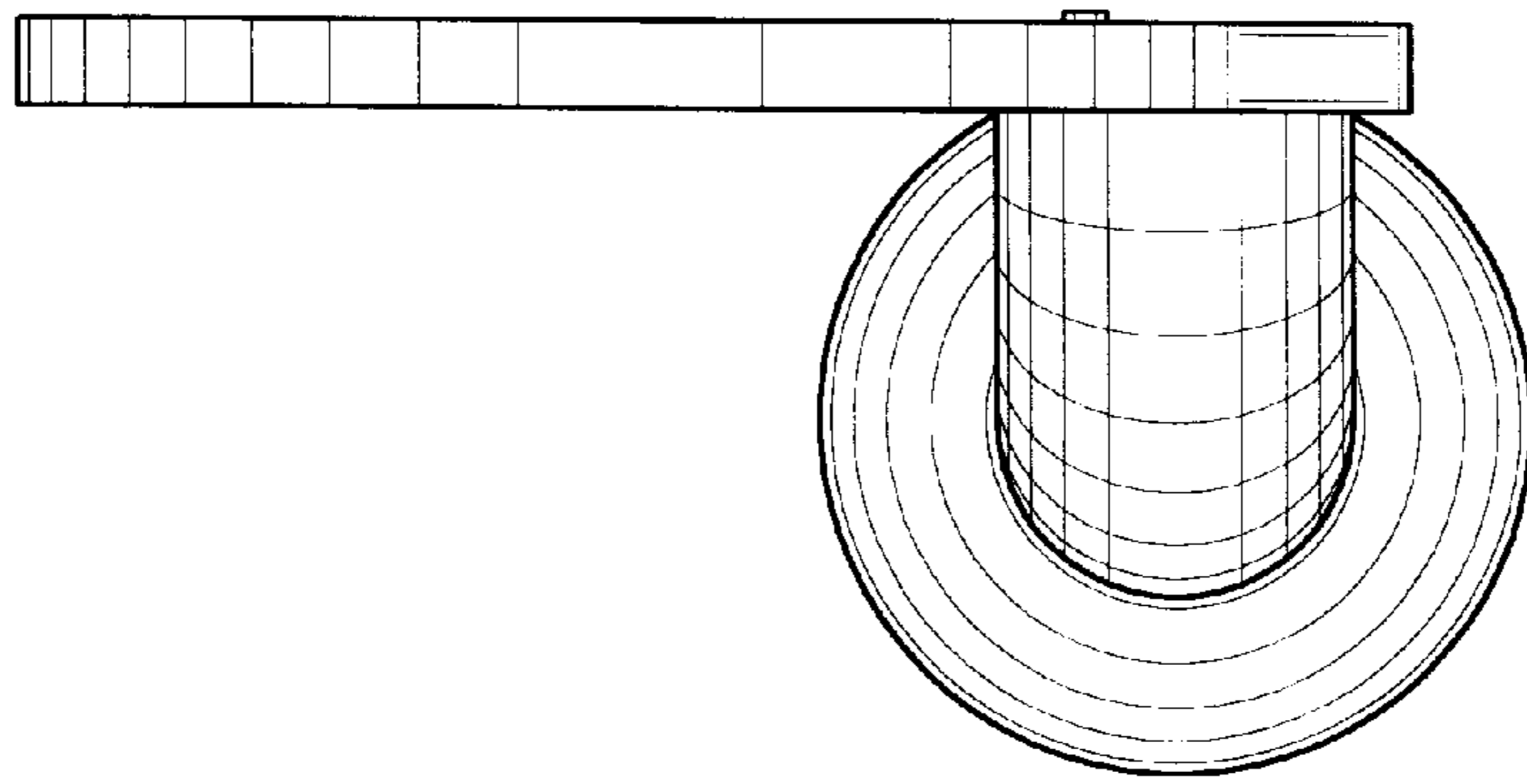


Fig. 1

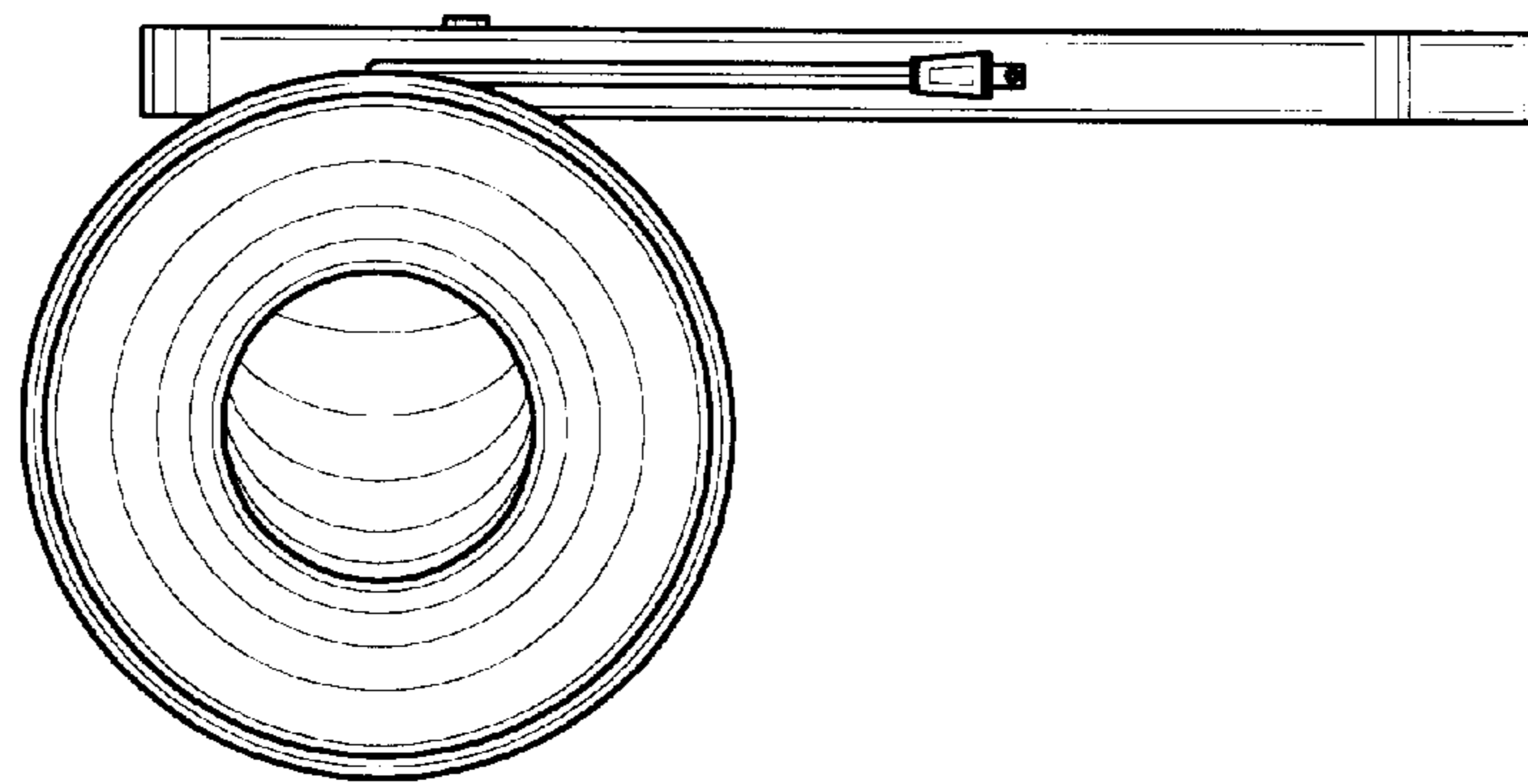


Fig. 2

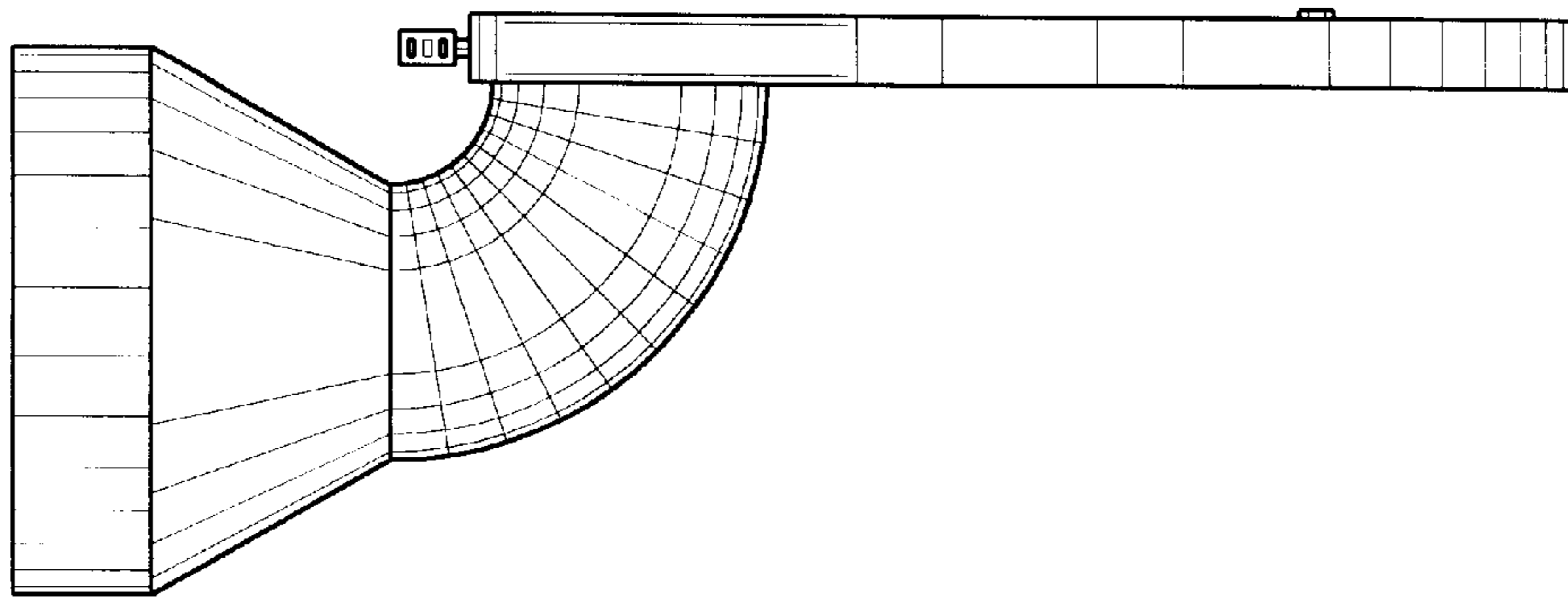


Fig. 3

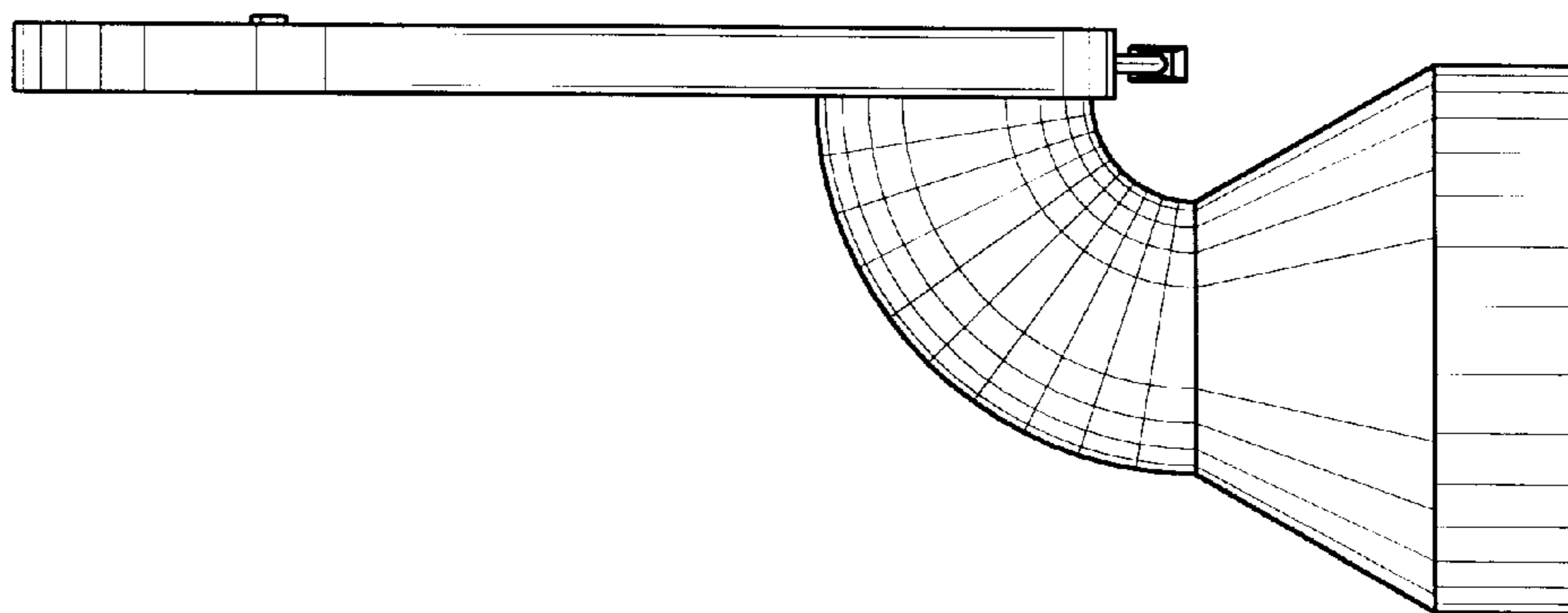


Fig. 4

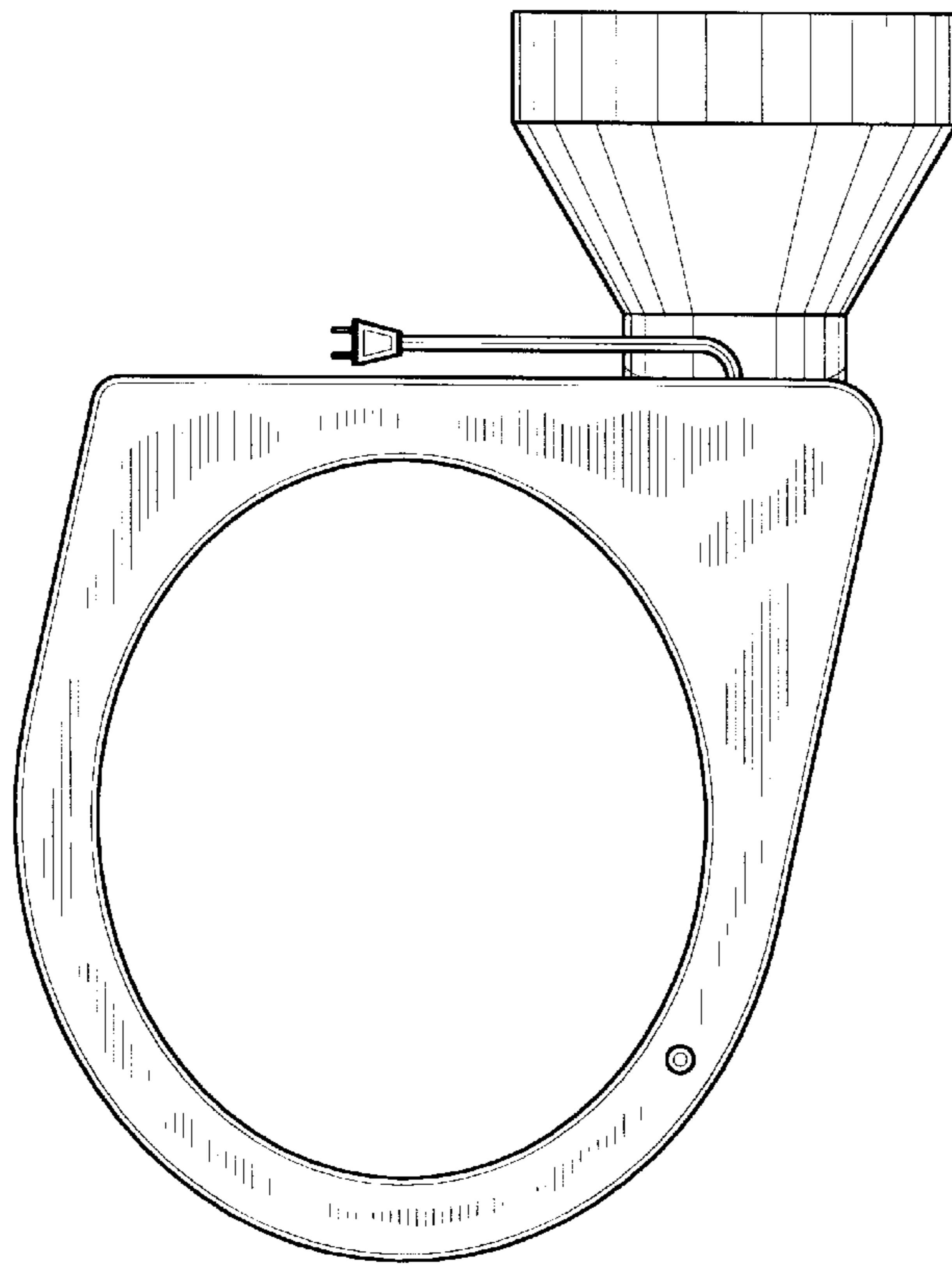


Fig. 5

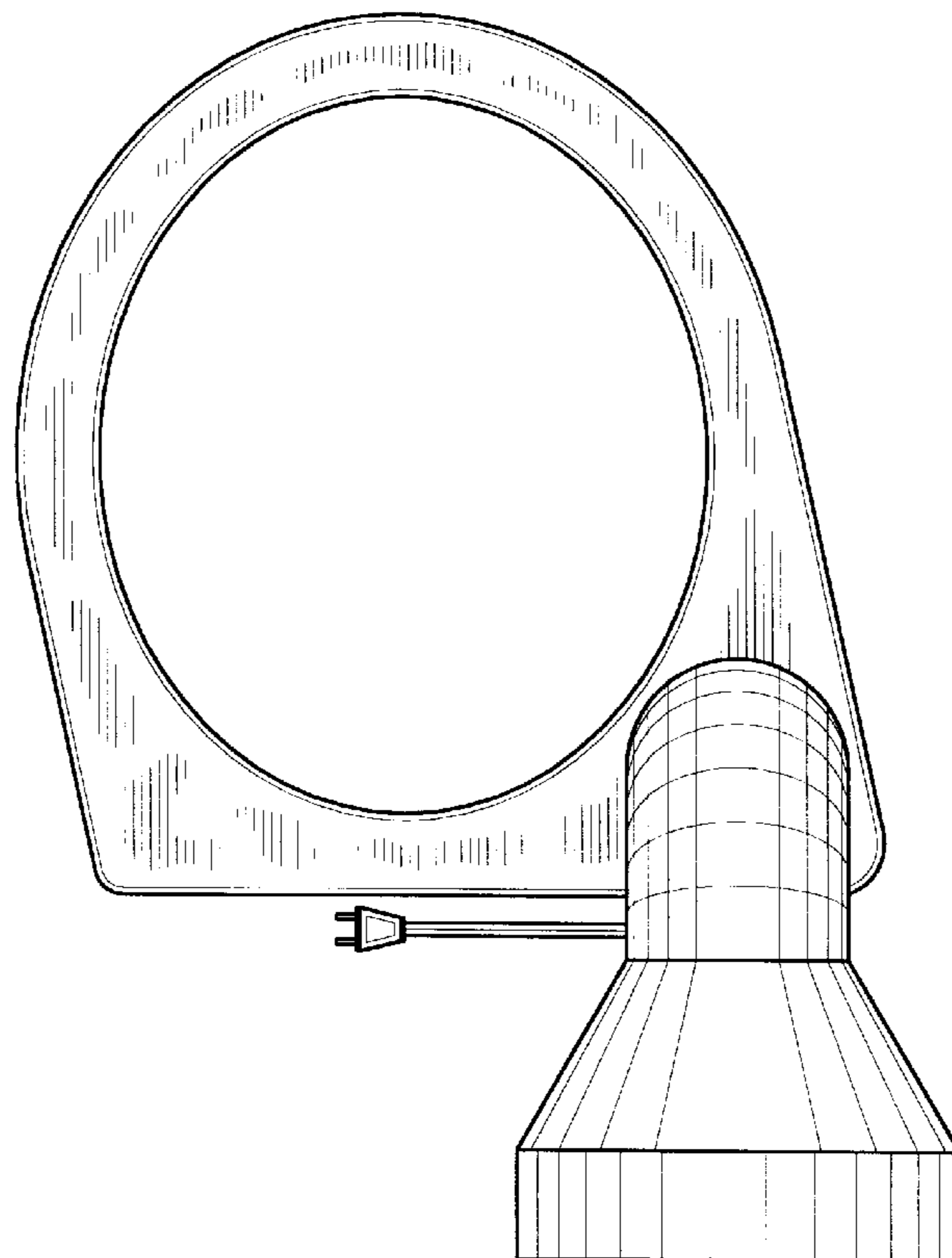


Fig. 6