



US00D408900S

United States Patent [19] Moore

[11] **Patent Number: Des. 408,900**

[45] **Date of Patent: **Apr. 27, 1999**

[54] **SHOWER SPLASH GUARD**

D. 389,232 1/1998 Pangowski D23/307
4,944,050 7/1990 Shames et al. 4/559

[75] Inventor: **Glenn David Moore**, Newfoundland, N.J.

Primary Examiner—Louis S. Zarfes

Assistant Examiner—Eric Watterson

[73] Assignee: **Melard Manufacturing Corp.**, Passaic, N.J.

Attorney, Agent, or Firm—Edgar A. Zarins; Leon E. Redman

[**] Term: **14 Years**

[57] **CLAIM**

[21] Appl. No.: **29/068,347**

The ornamental design for a shower splash guard, as shown and described.

[22] Filed: **Apr. 4, 1997**

DESCRIPTION

[51] **LOC (6) Cl.** **23-02**

FIG. 1 is a perspective view of a shower splash guard showing my new design;

[52] **U.S. Cl.** **D23/307**

FIG. 2 is a front elevational view, the rear view being a mirror image thereof;

[58] **Field of Search** D23/283, 303–310,
D23/558, 564, 658–661

FIG. 3 is a cross-sectional view thereof taken along lines 3–3 of FIG. 2;

FIG. 4 is an end view thereof; and,

FIG. 5 is a cross-sectional view thereof taken along lines 5–5 of FIG. 2.

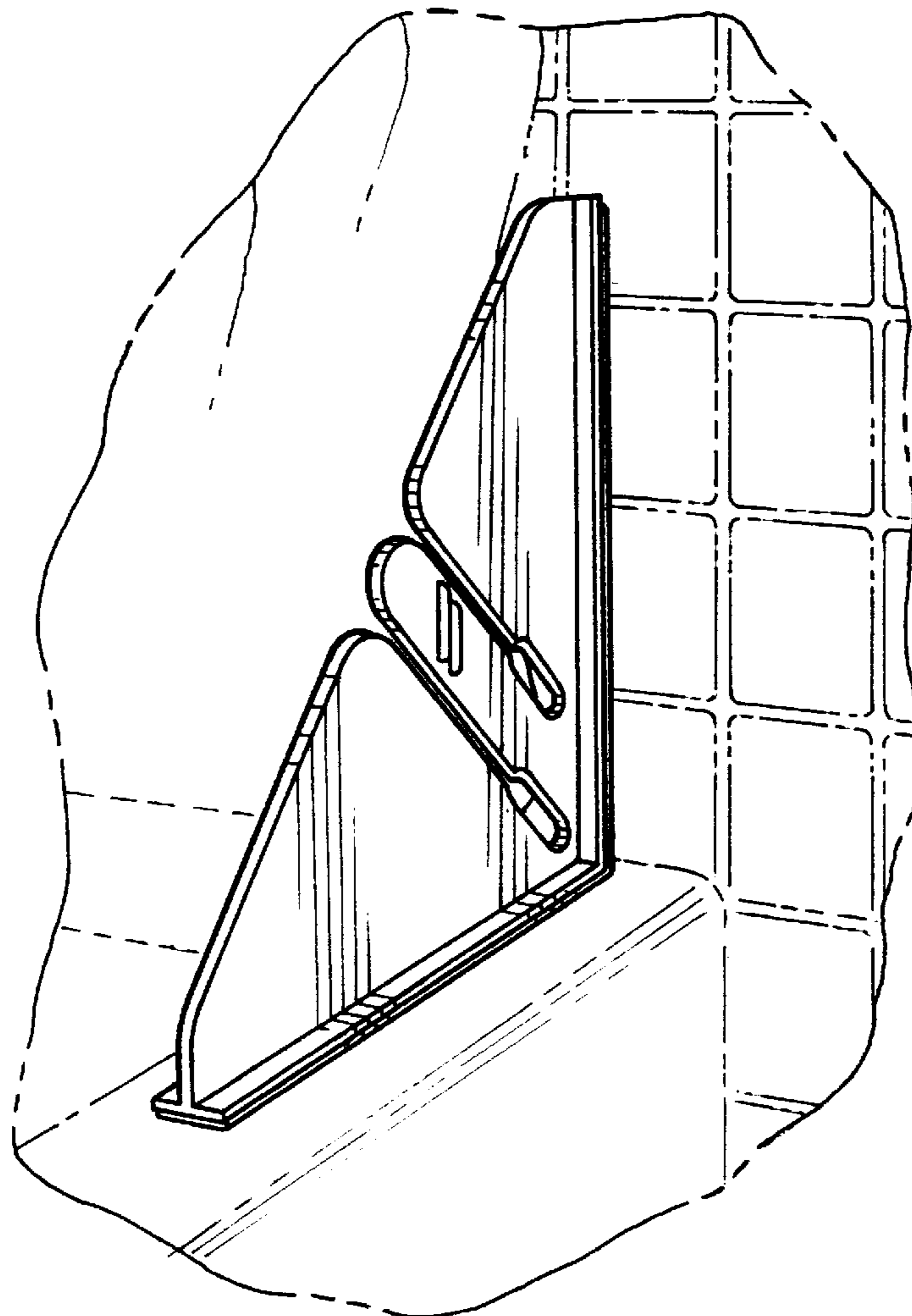
[56] **References Cited**

U.S. PATENT DOCUMENTS

D. 218,827	9/1970	Wedner	D23/307
D. 238,490	1/1976	Blicht	D23/307
D. 253,188	10/1979	Bargus	D23/307
D. 297,157	8/1988	Eder	D23/307
D. 362,054	9/1995	Anway	D23/307

The broken line showing is for illustrative purposes only and forms no part of the claimed design.

1 Claim, 2 Drawing Sheets



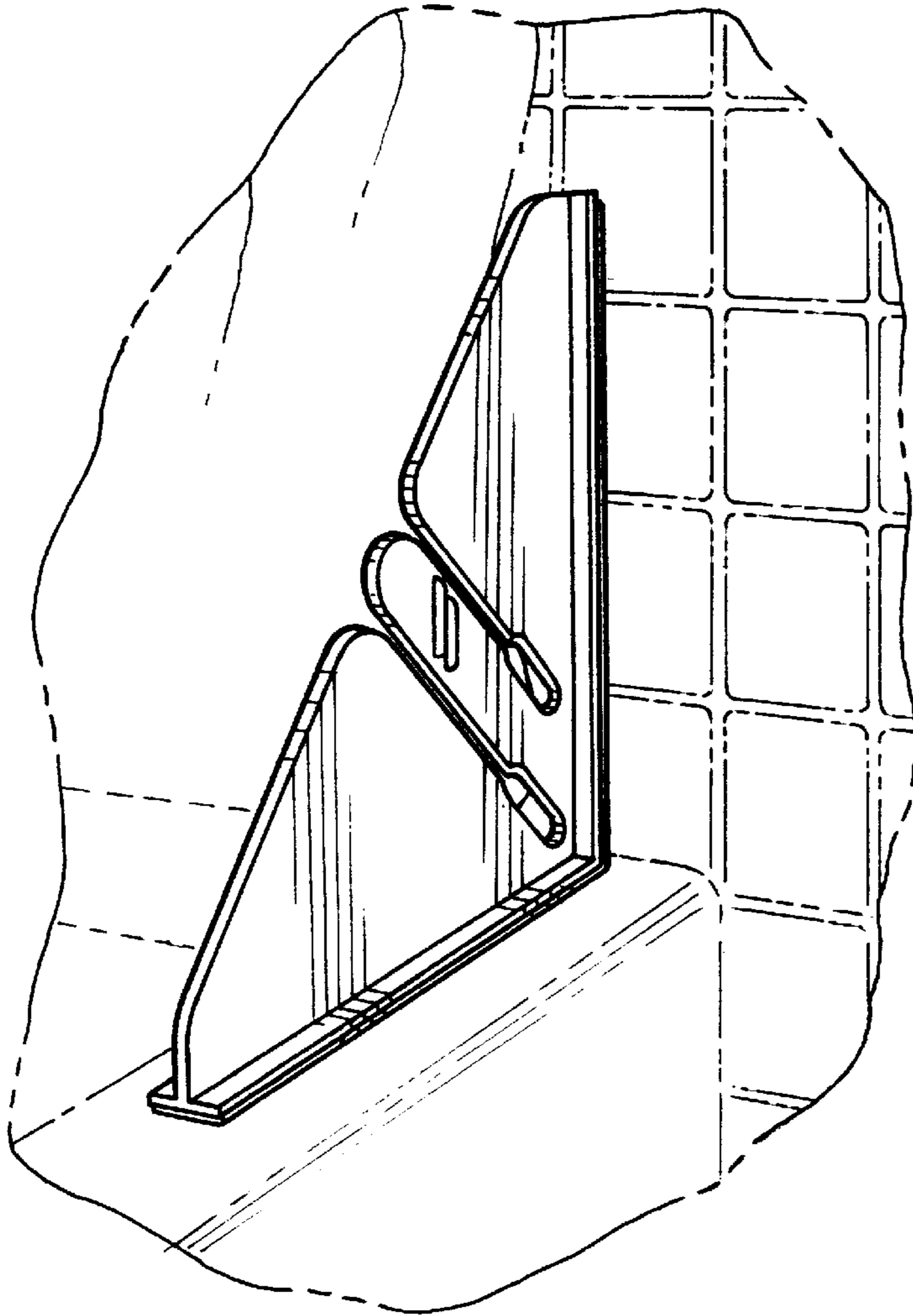
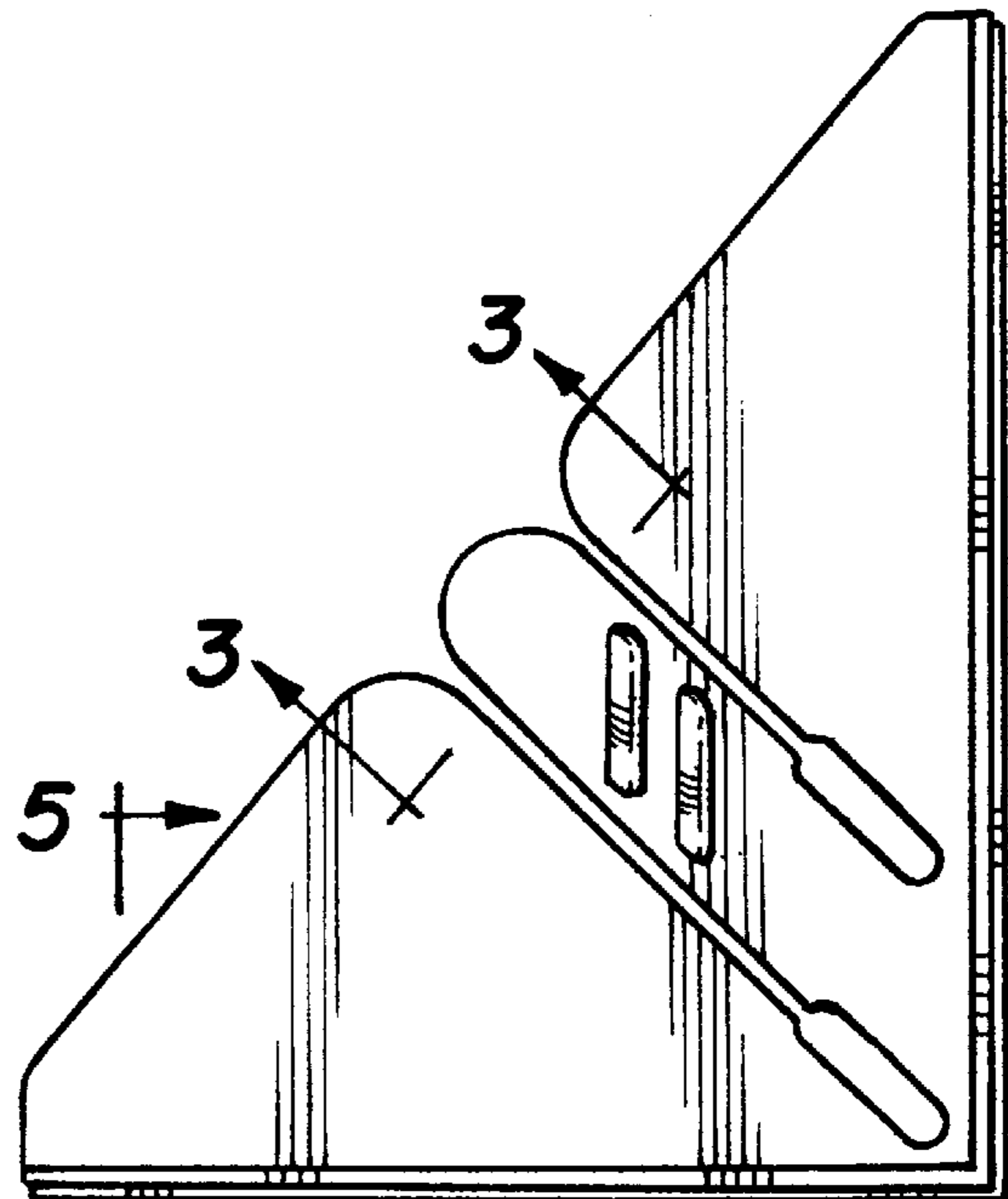


Fig-1

Fig-2



5 →



Fig-3



Fig-4

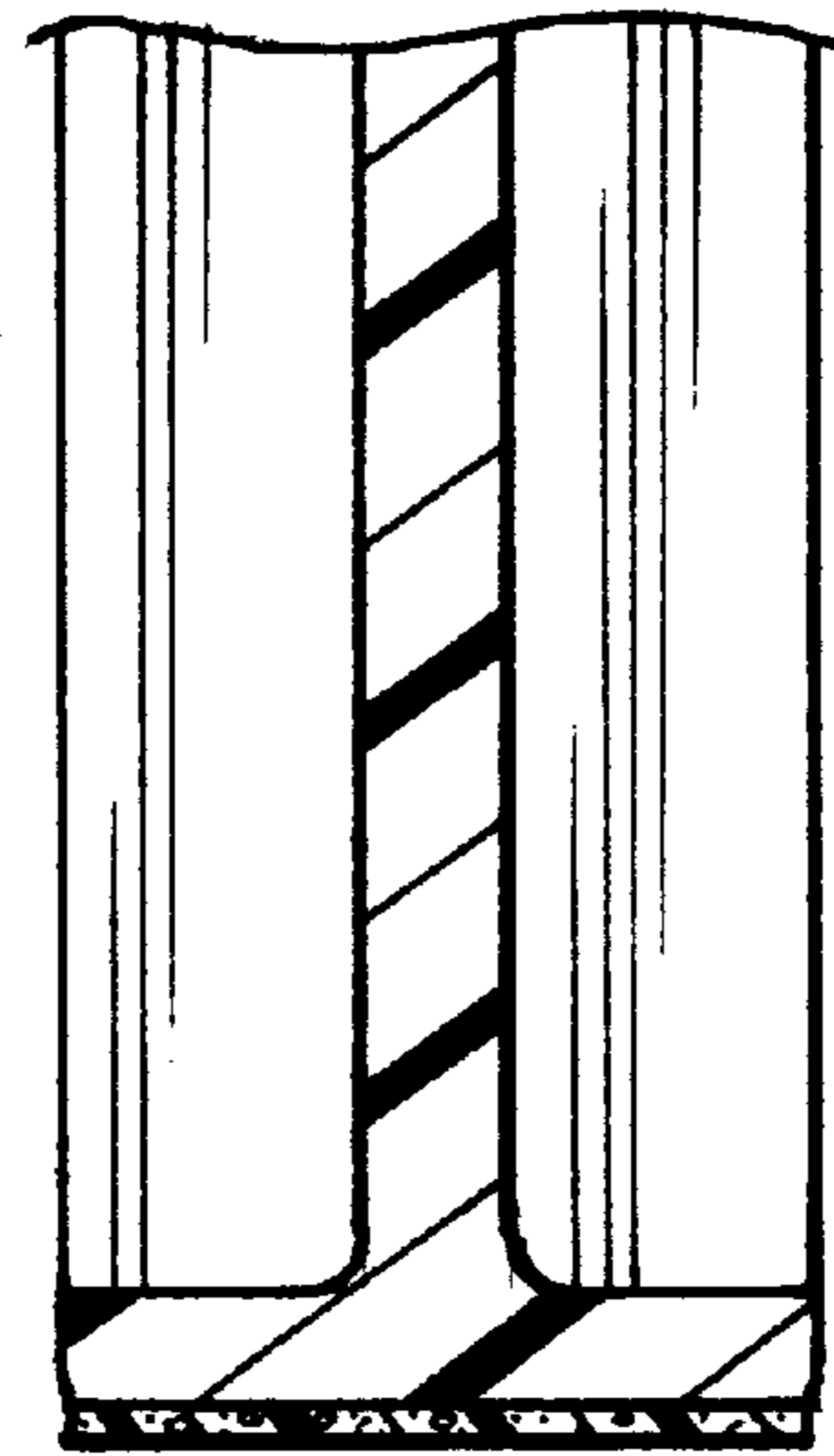


Fig-5