



US00D408899S

# United States Patent [19] Svendsen

[11] **Patent Number: Des. 408,899**

[45] **Date of Patent: \*\*Apr. 27, 1999**

[54] **LAVATORY**

[75] **Inventor: Sean W. Svendsen, Columbus, Ohio**

[73] **Assignee: American Standard Inc., Piscataway, N.J.**

[\*\*] **Term: 14 Years**

[21] **Appl. No.: 29/086,555**

[22] **Filed: Apr. 15, 1998**

[51] **LOC (6) Cl. .... 23-02**

[52] **U.S. Cl. .... D23/284**

[58] **Field of Search ..... D23/284-293.1;  
4/619, 624, 625, 626, 638-650**

[56] **References Cited**

**U.S. PATENT DOCUMENTS**

- D. 36,907 5/1904 Weelans .
- D. 76,700 10/1928 Nash .
- D. 320,066 9/1991 Dannenberg ..... D23/254
- D. 320,437 10/1991 McKeone .

- D. 320,647 10/1991 Waldren .
- D. 351,460 10/1994 Couber, Jr. et al. .... D23/284
- D. 371,190 6/1996 Kaiser .
- D. 390,928 2/1998 Slotnower ..... D23/284

*Primary Examiner*—Doris Clark  
*Assistant Examiner*—Eric Watterson

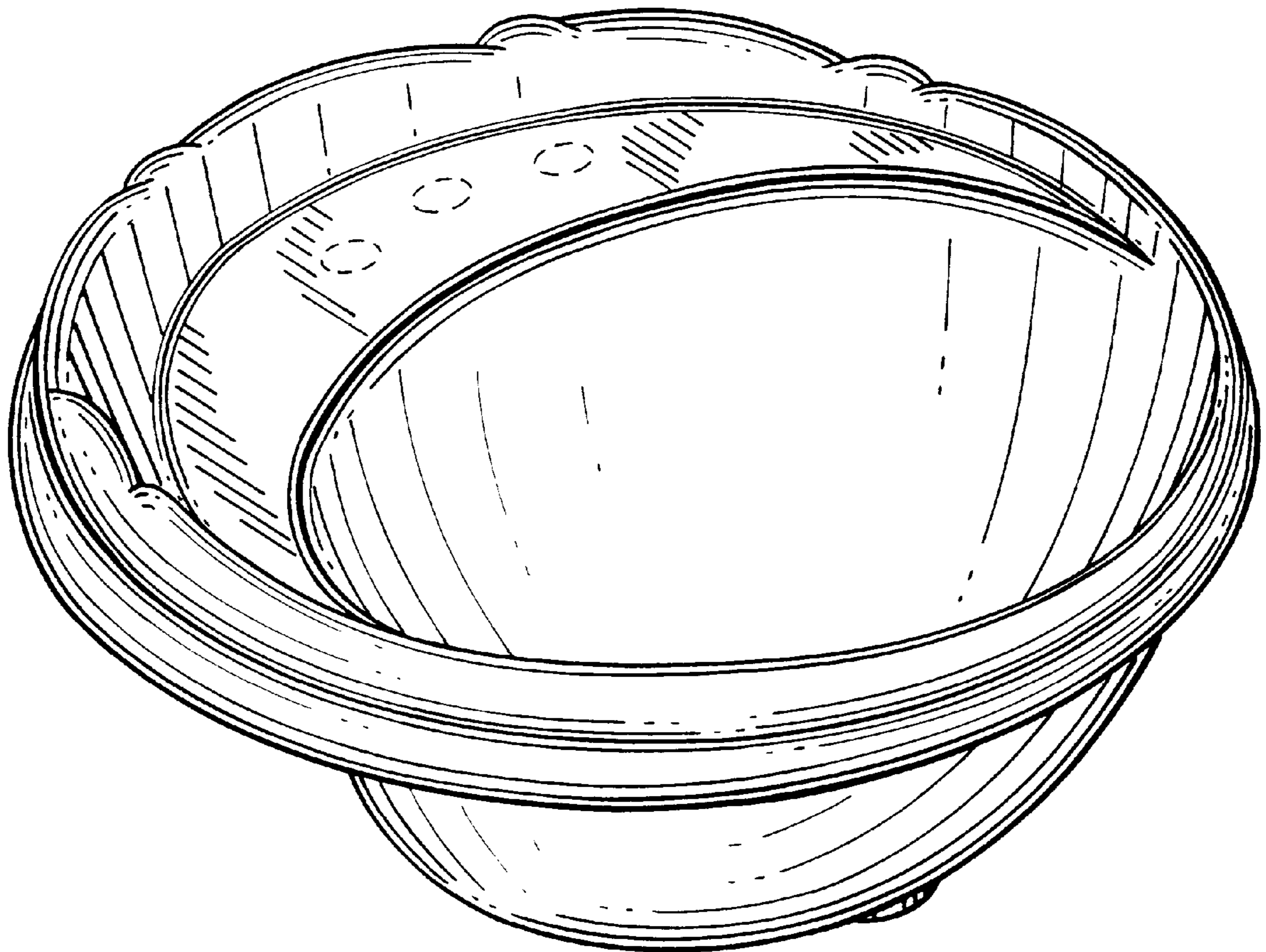
[57] **CLAIM**

The ornamental design for a lavatory, as shown and described.

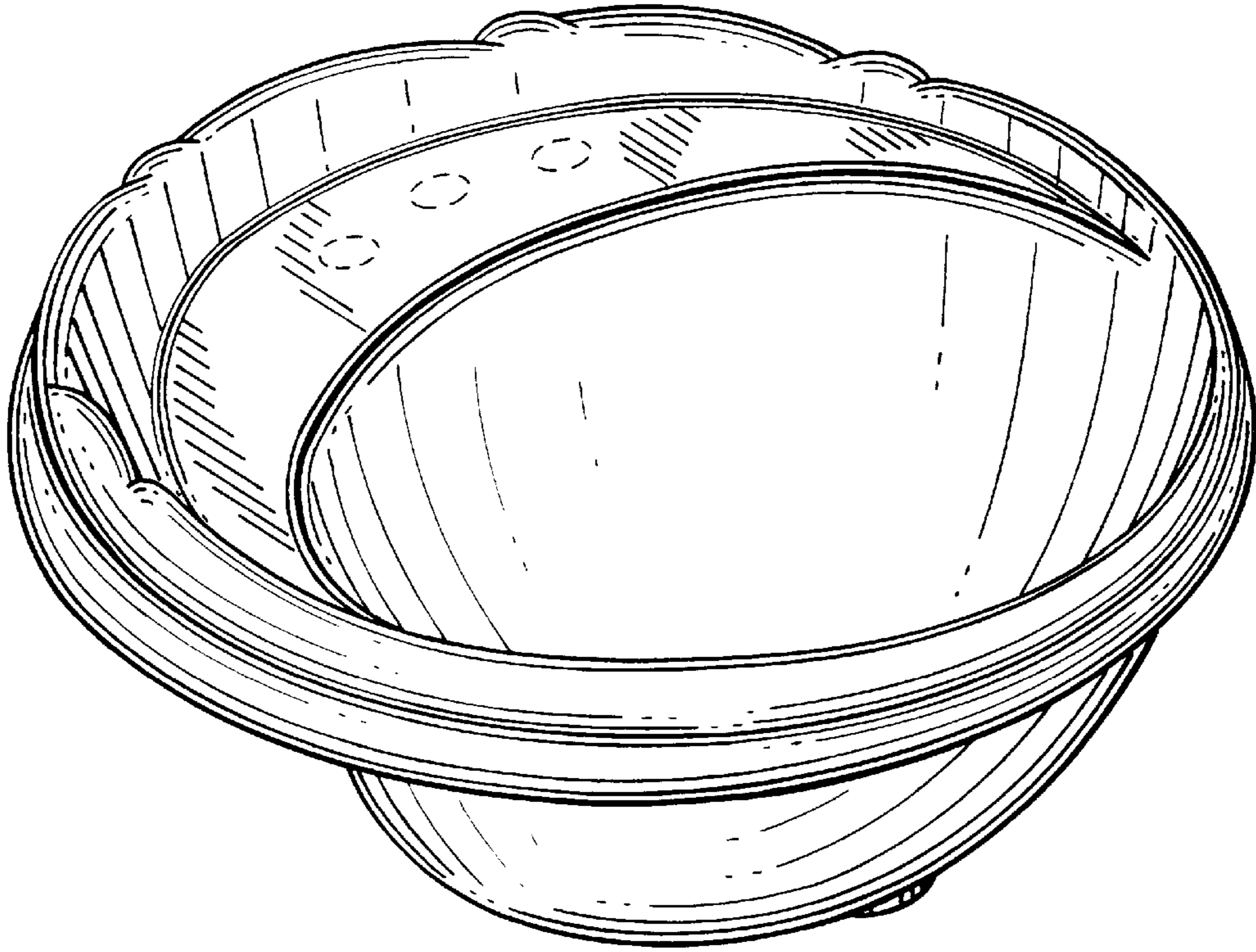
**DESCRIPTION**

FIG. 1 is a top, front, and left side perspective view of a lavatory showing my new design;  
FIG. 2 is a front elevational view thereof;  
FIG. 3 is a top plan view thereof;  
FIG. 4 is a right side elevational view, the left side being a mirror image thereof;  
FIG. 5 is a rear elevational view thereof; and,  
FIG. 6 is a bottom plan view thereof.

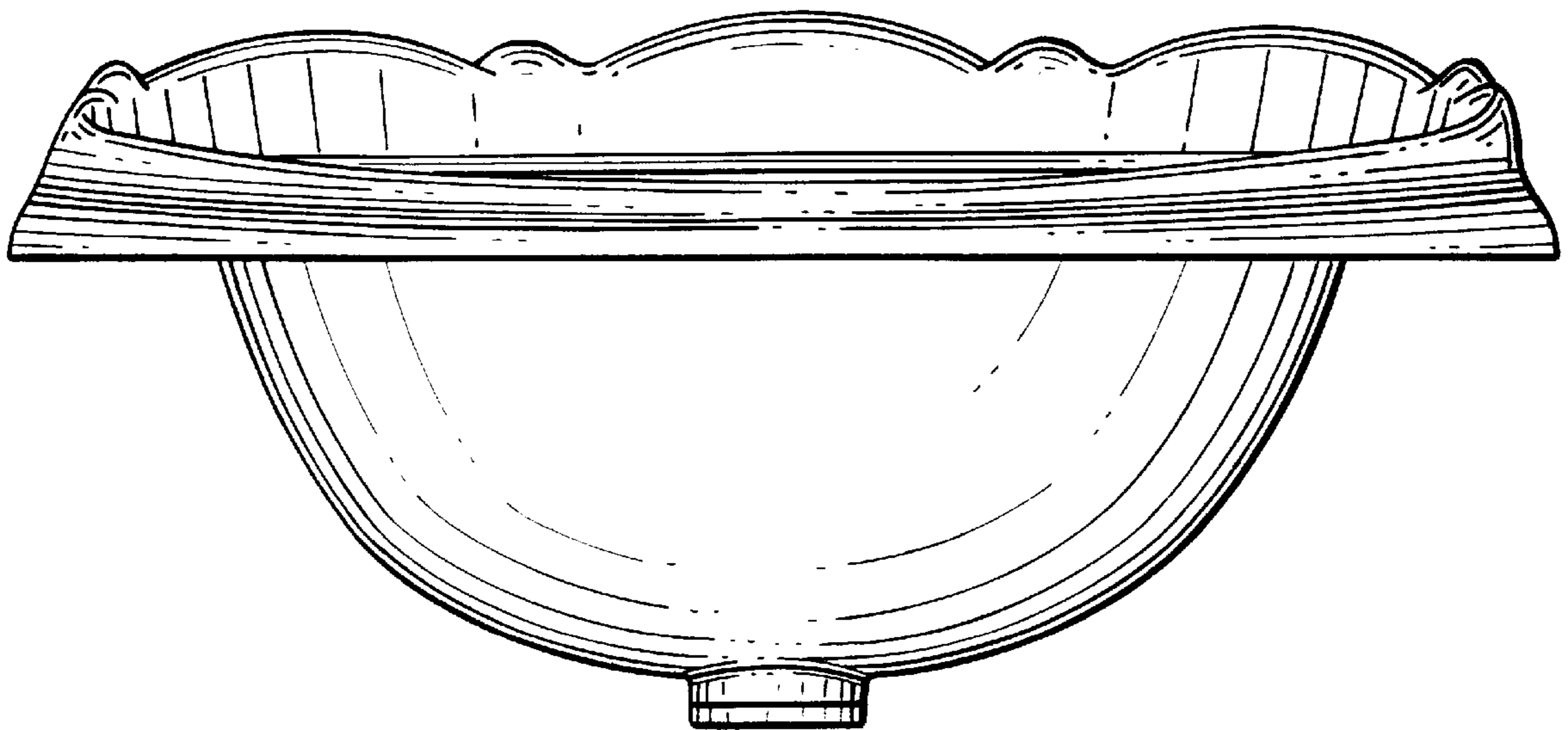
**1 Claim, 3 Drawing Sheets**



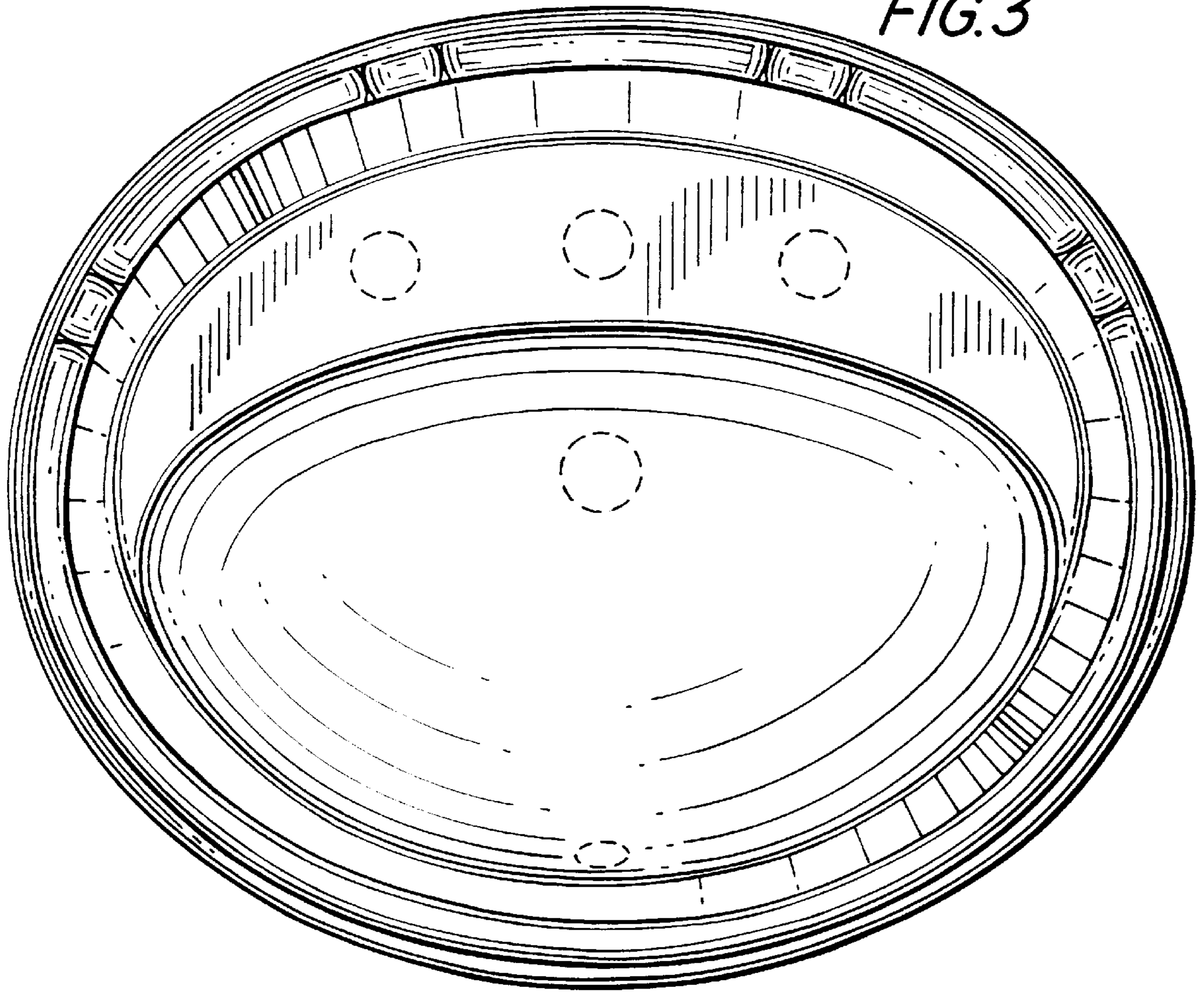
*FIG. 1*



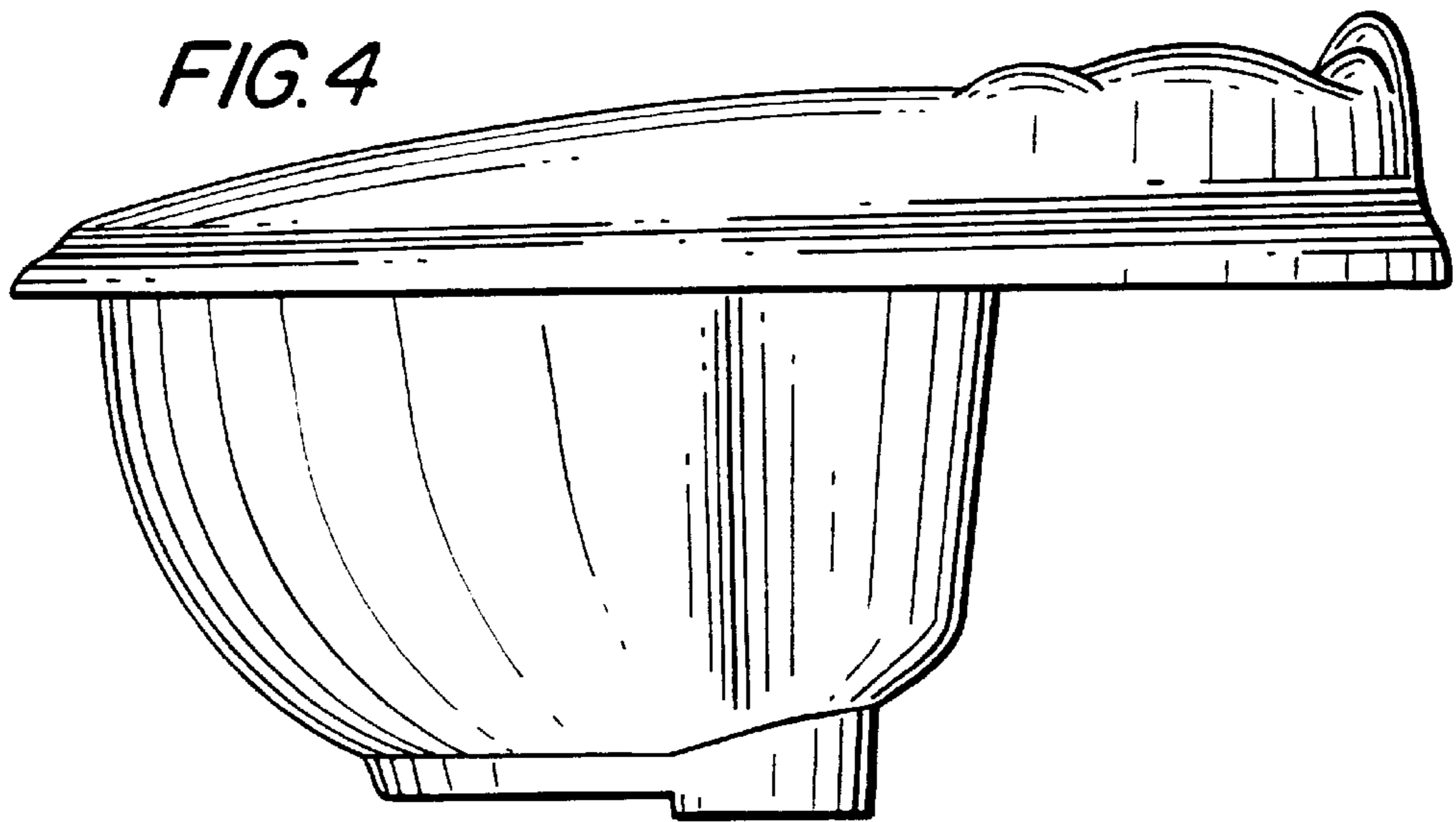
*FIG. 2*



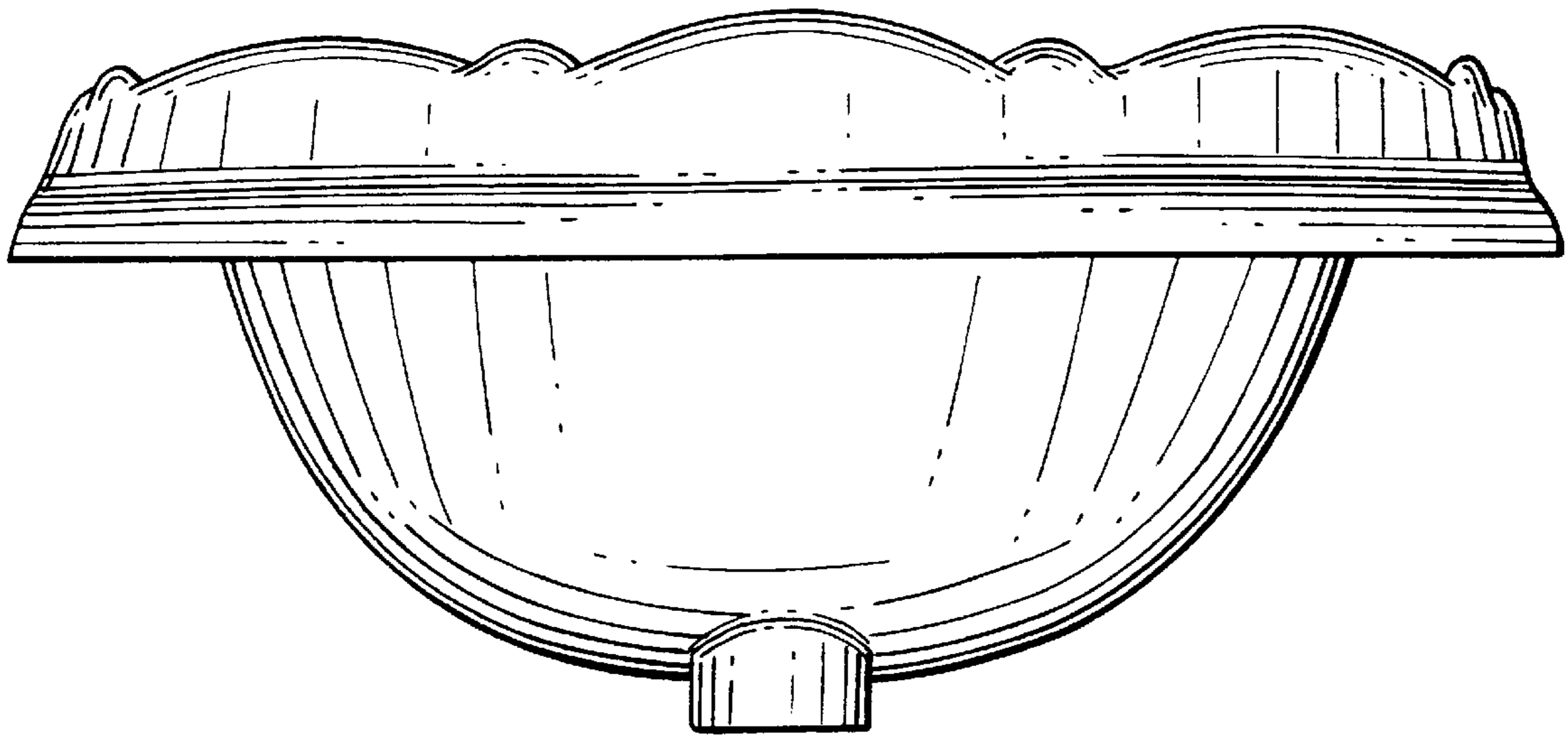
*FIG. 3*



*FIG. 4*



*FIG.5*



*FIG.6*

