



US00D408898S

# United States Patent [19] Kaiser

[11] **Patent Number: Des. 408,898**

[45] **Date of Patent: \*\*Apr. 27, 1999**

[54] **LAVATORY**

[75] Inventor: **Jack N. Kaiser**, Danville, Ky.

[73] Assignee: **American Standard Inc.**, Piscataway, N.J.

[\*\*] Term: **14 Years**

[21] Appl. No.: **29/059,037**

[22] Filed: **Aug. 30, 1996**

[51] **LOC (6) Cl.** ..... **23-01**

[52] **U.S. Cl.** ..... **D23/284**

[58] **Field of Search** ..... D23/284-293.1,  
D23/619, 624, 625, 626, 638-650

[56] **References Cited**

**U.S. PATENT DOCUMENTS**

D. 274,164	6/1984	Enthoven	.....	D23/292
D. 292,732	11/1987	Gates et al.	.....	D23/292
D. 293,930	1/1988	Reid	.....	D23/292
D. 296,357	6/1988	Brossardt et al.	.....	D23/292
D. 318,105	7/1991	Konler, Jr. et al.	.....	D23/292
D. 318,909	8/1991	Lenclos	.....	D23/292
D. 368,768	4/1996	Kaiser	.....	D23/292
D. 368,769	4/1996	Kaiser	.....	D23/292
D. 368,959	4/1996	Kaiser	.....	D23/293.1
D. 370,967	6/1996	Kaiser	.....	D23/293.1
D. 371,190	6/1996	Kaiser	.....	D23/293.1

*Primary Examiner*—Louis S. Zarfes

*Assistant Examiner*—Eric Watterson

*Attorney, Agent, or Firm*—Joseph M. Homa

[57] **CLAIM**

The ornamental design for a lavatory, as shown and described.

**DESCRIPTION**

FIG. 1 is a perspective view of a lavatory showing my new design;

FIG. 2 is a top plan view of the lavatory shown in FIG. 1;

FIG. 3 is a bottom plan view of the lavatory shown in FIG. 1;

FIG. 4 is a right side elevational view of the lavatory shown in FIG. 1, the left side view being a mirror image of the right side;

FIG. 5 is a front elevational view of the lavatory shown in FIG. 1;

FIG. 6 is a rear elevational view of the lavatory shown in FIG. 1;

FIG. 7 is a perspective view of a pedestal lavatory showing another embodiment of my new design;

FIG. 8 is a top plan view of the pedestal lavatory shown in FIG. 7;

FIG. 9 is a bottom plan view of the pedestal lavatory shown in FIG. 7;

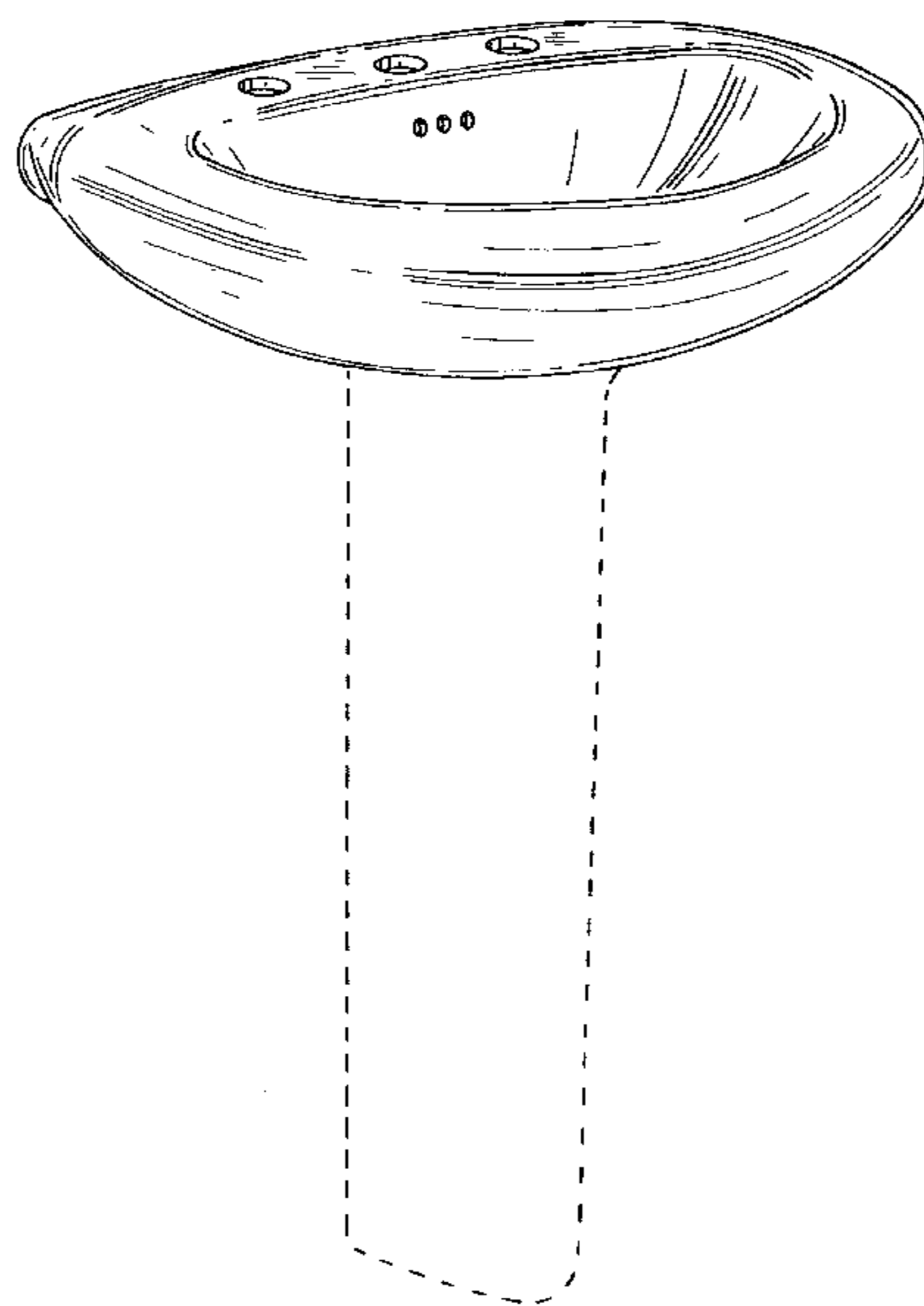
FIG. 10 is a right side elevational view of the pedestal lavatory shown in FIG. 7, the left side view being a mirror image of the right side;

FIG. 11 is a front elevational view of the pedestal lavatory shown in FIG. 7; and,

FIG. 12 is a rear elevational view of the pedestal lavatory shown in FIG. 7.

The broken line showing is for illustrative purposes only and forms no part of the claimed design.

**1 Claim, 10 Drawing Sheets**



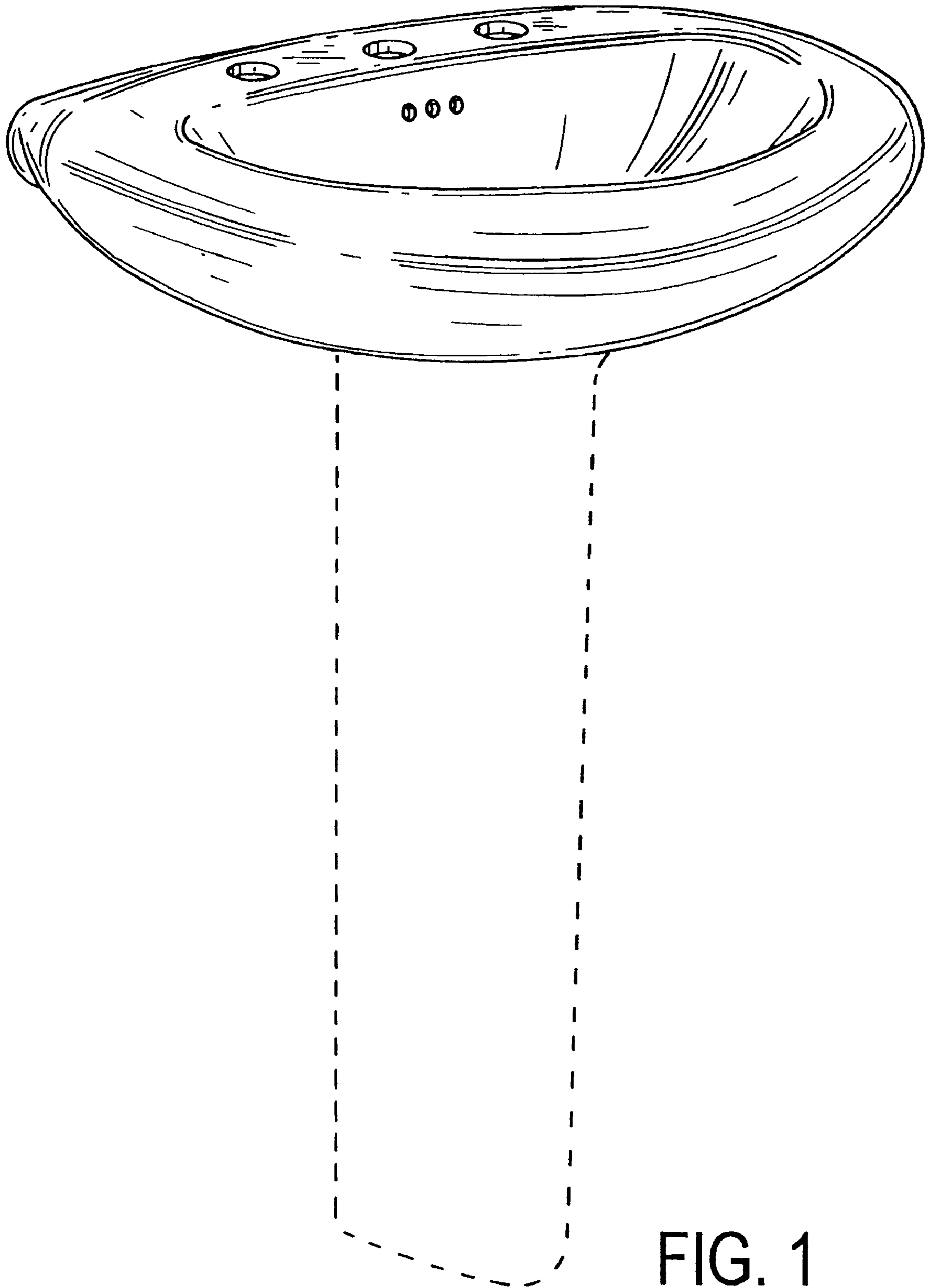


FIG. 1

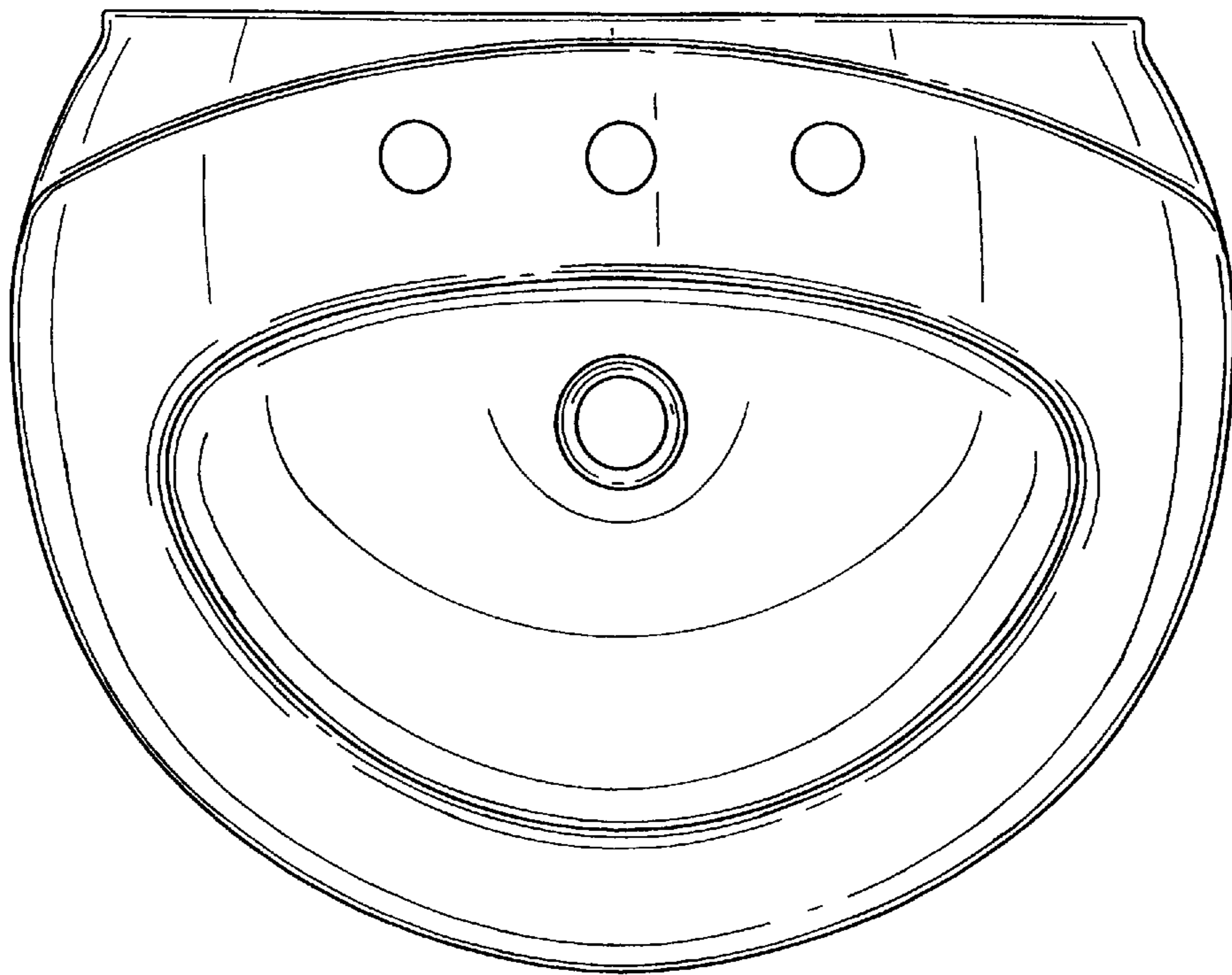


FIG. 2

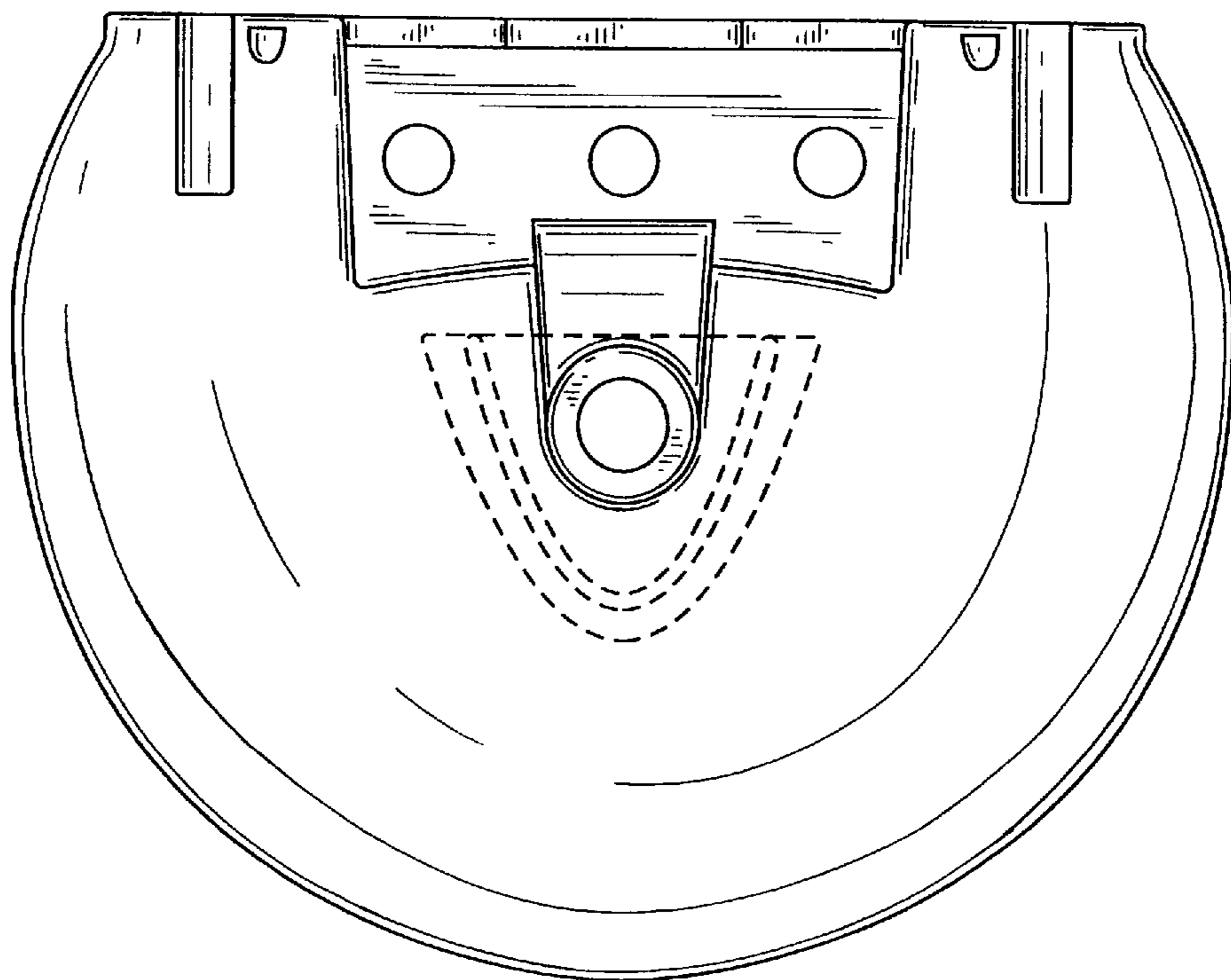


FIG. 3

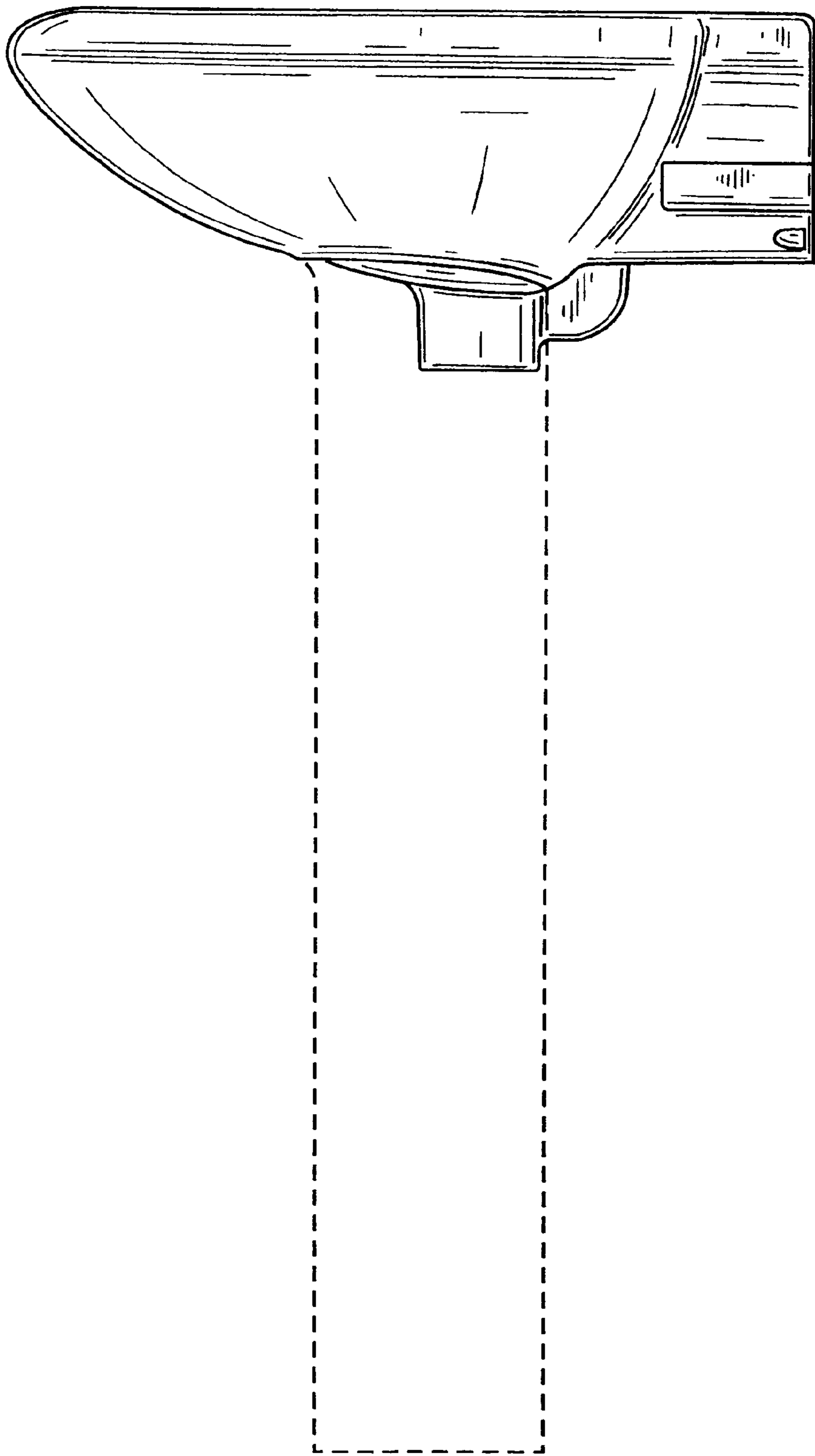


FIG. 4

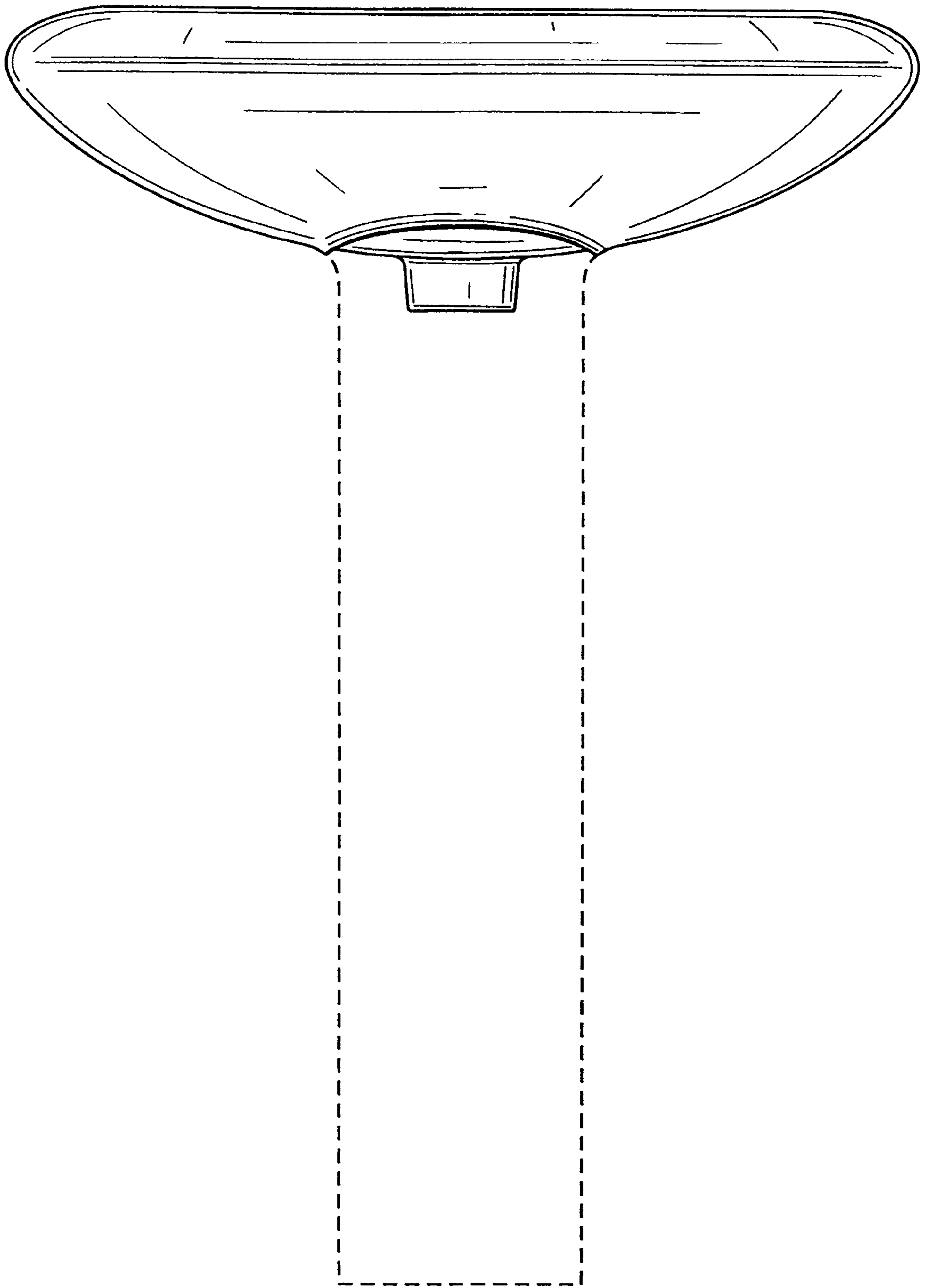


FIG. 5

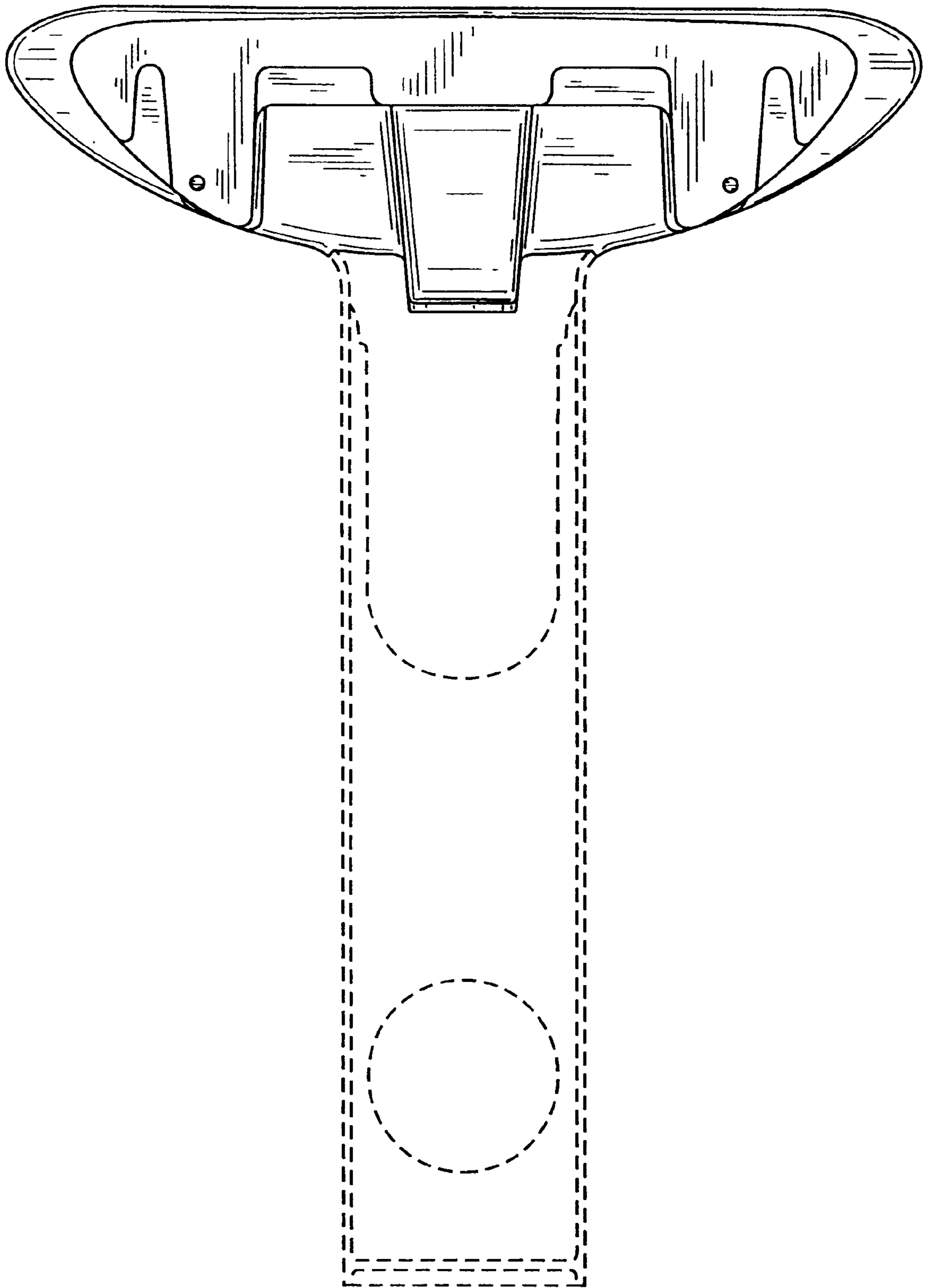


FIG. 6

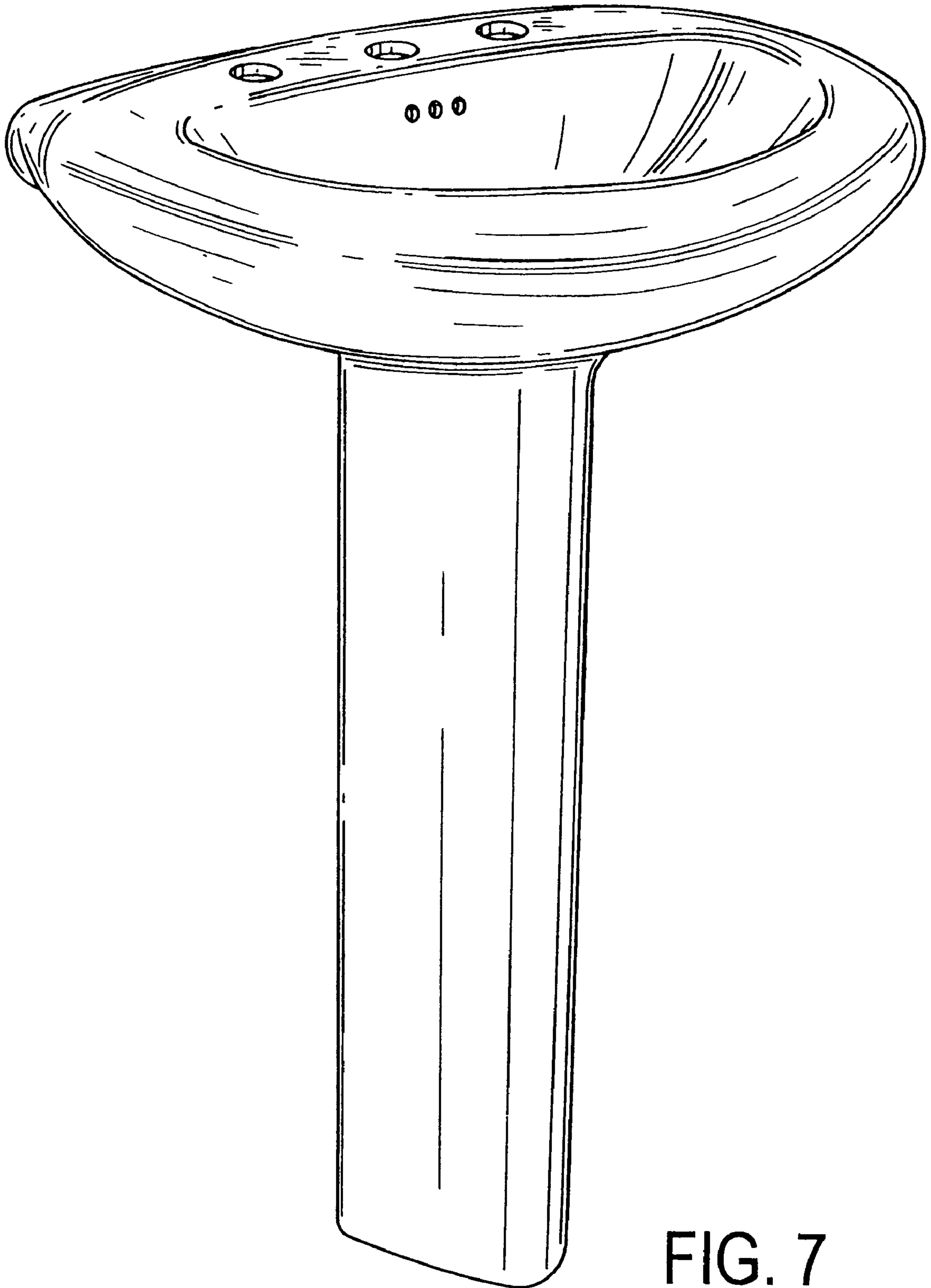


FIG. 7

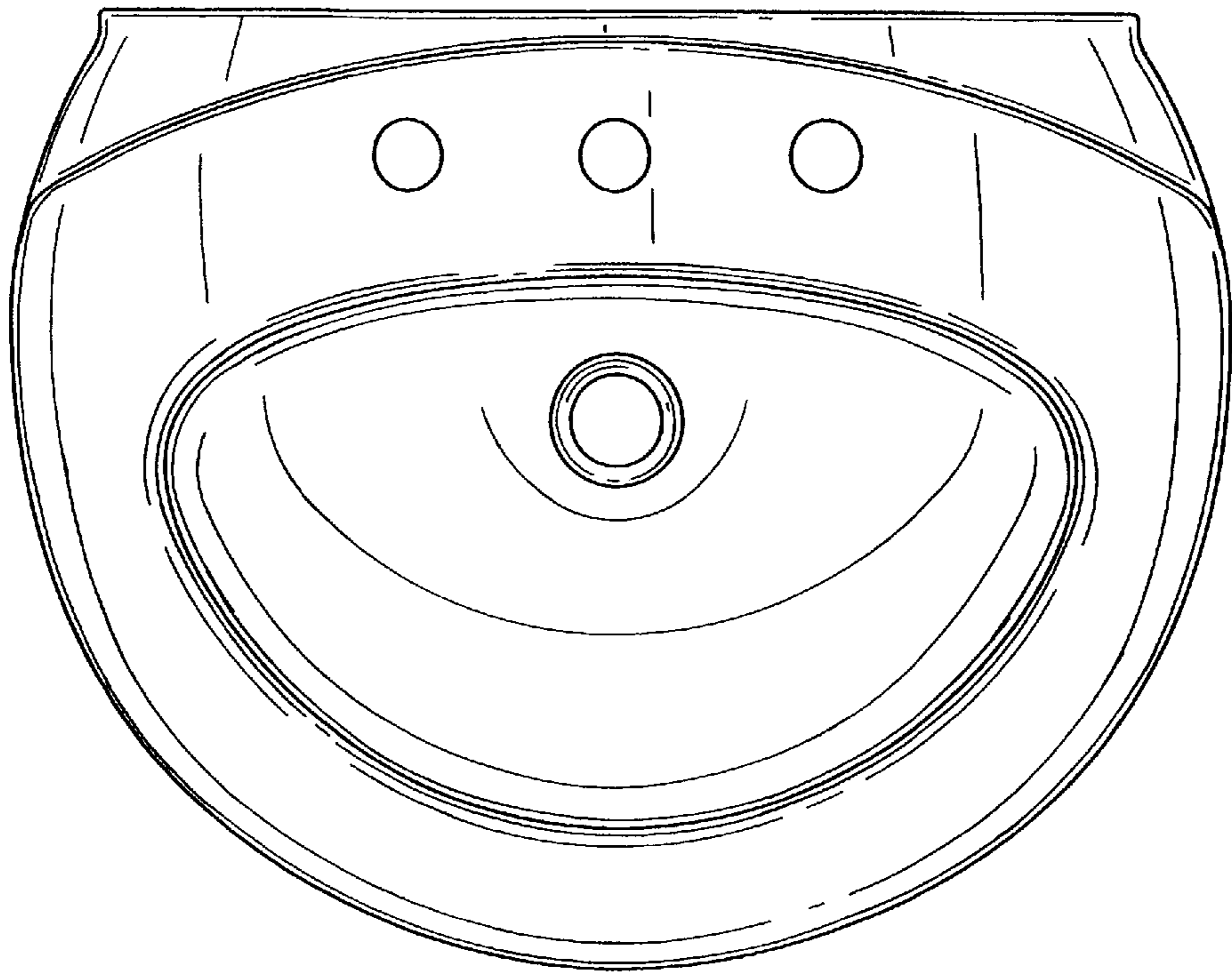


FIG. 8

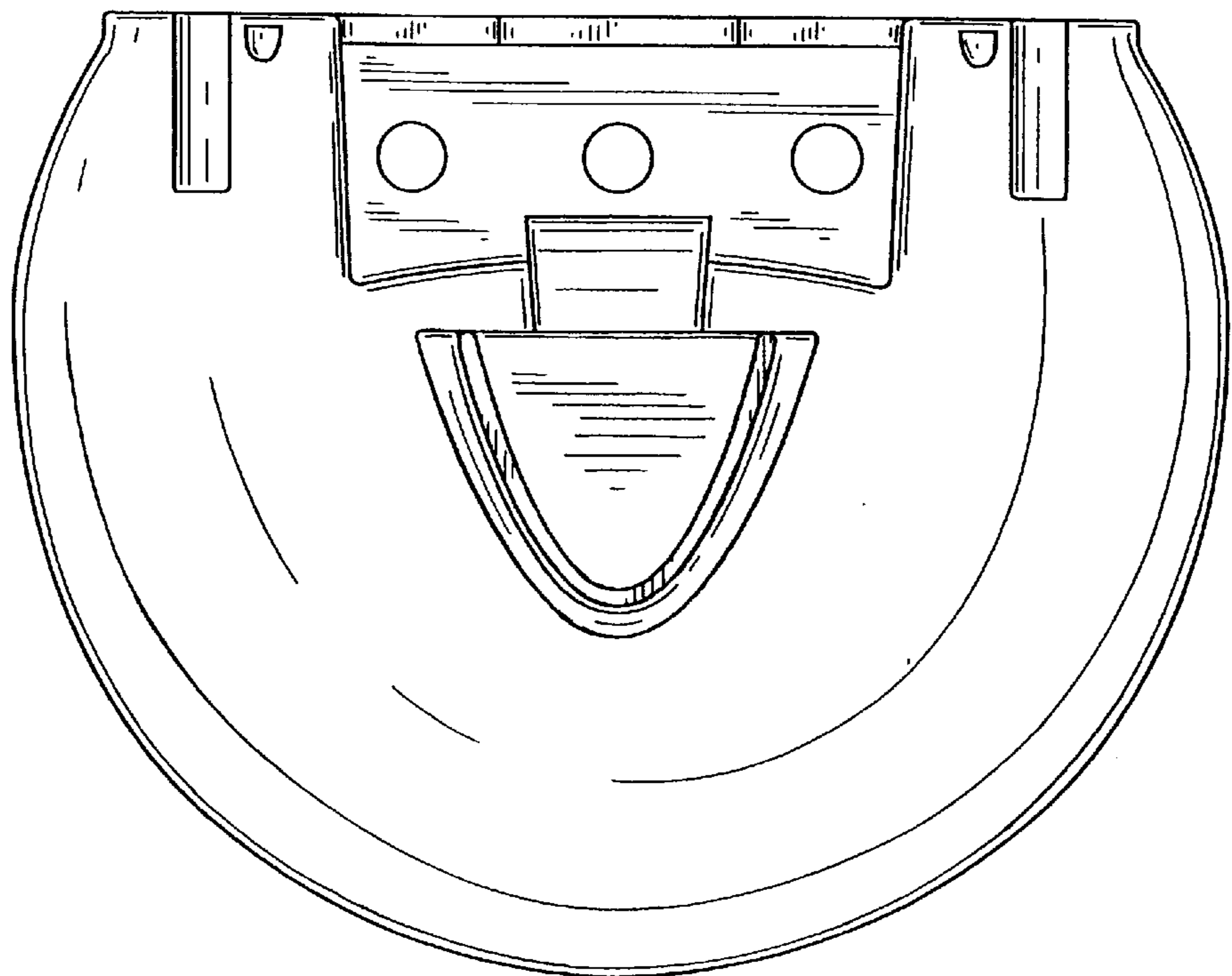


FIG. 9



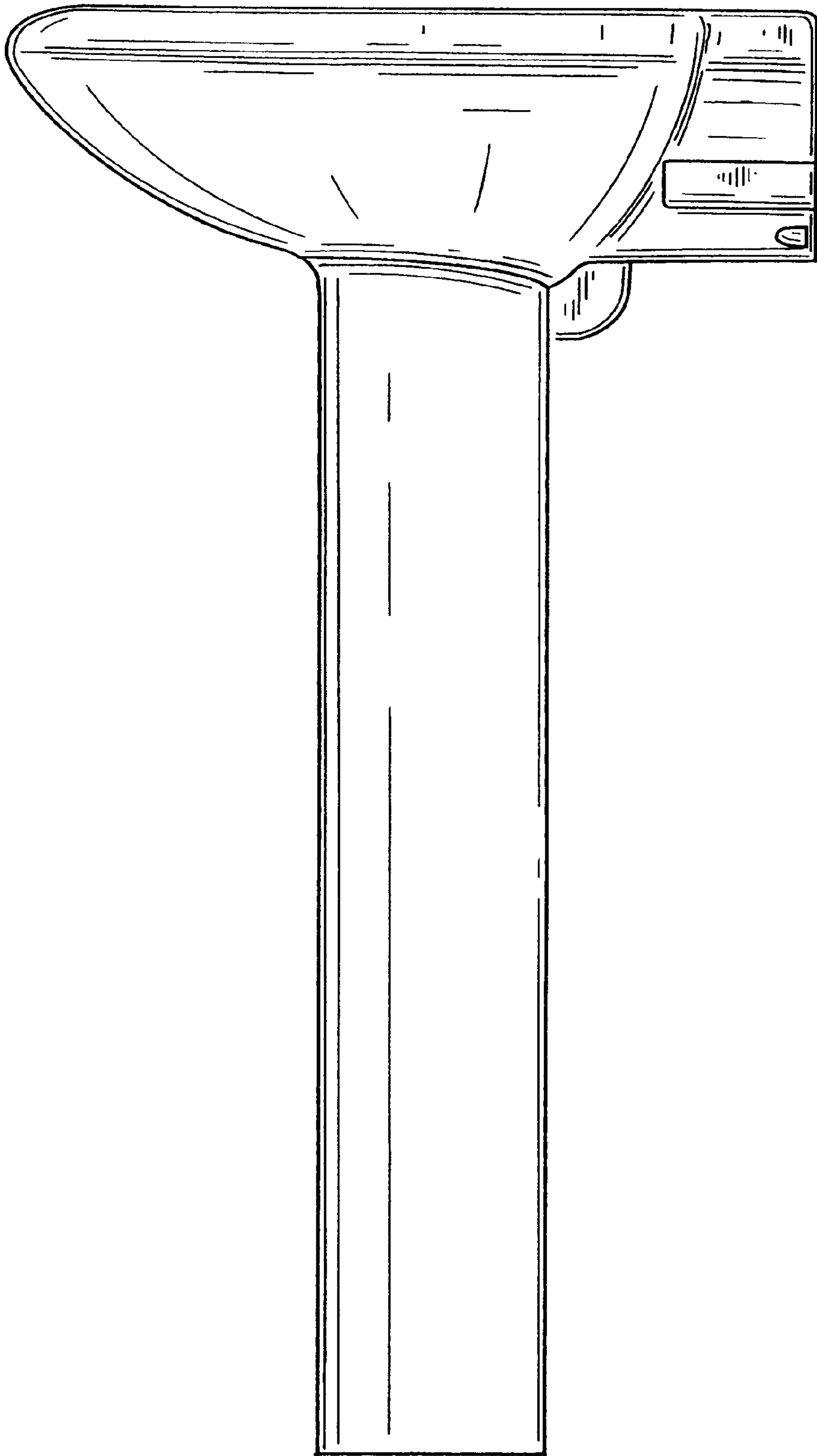


FIG. 10

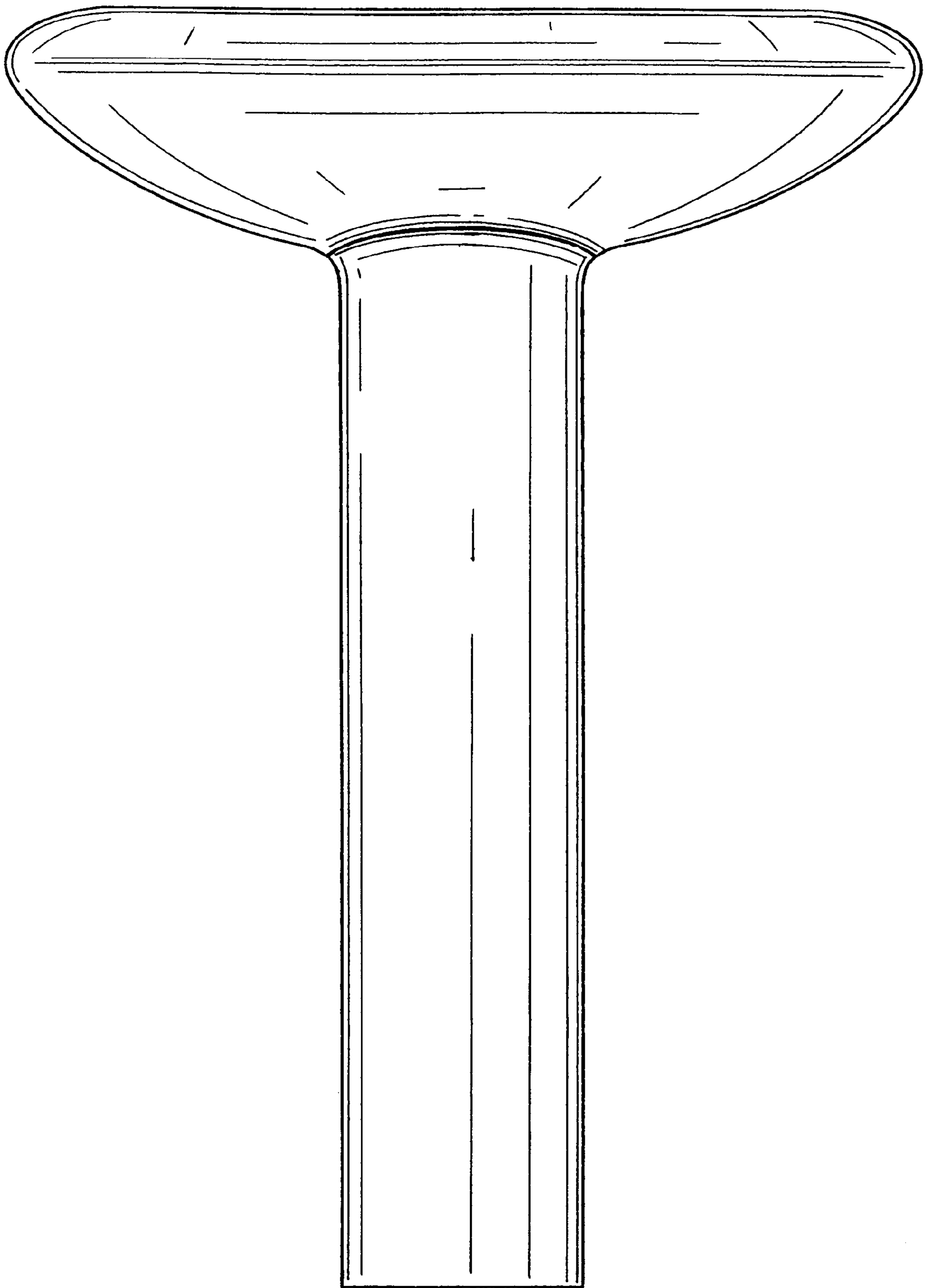


FIG. 11

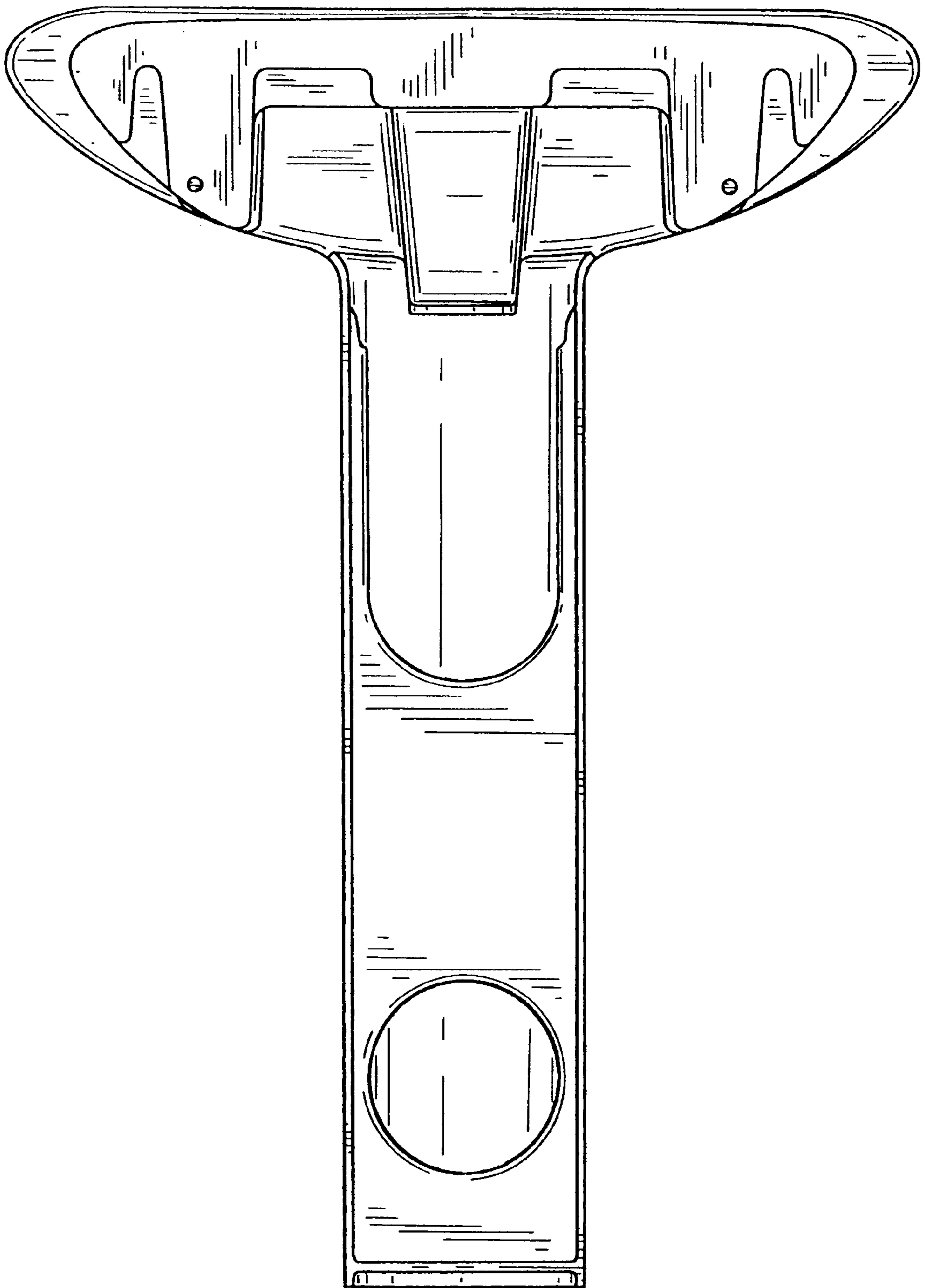


FIG. 12