



US00D408897S

United States Patent [19] Warshawsky

[11] **Patent Number: Des. 408,897**

[45] **Date of Patent: **Apr. 27, 1999**

[54] **FAUCET SPOUT**

D. 387,130 12/1997 Warshowsky D23/238
D. 394,492 5/1998 Nguyen et al. D23/255

[75] Inventor: **Jerome Warshawsky**, Hewlett Harbor, N.Y.

Primary Examiner—Louis S. Zarfaz
Assistant Examiner—Eric Watterson
Attorney, Agent, or Firm—Alfred M. Walker

[73] Assignee: **IW Industries, Inc.**, Melville, N.Y.

[**] Term: **14 Years**

[57] **CLAIM**

[21] Appl. No.: **29/089,575**

The ornamental design for a faucet spout, as shown and described.

[22] Filed: **Jun. 18, 1998**

DESCRIPTION

[51] **LOC (6) Cl.** **23-01**

FIG. 1 is a perspective view of a faucet spout showing my new design;

[52] **U.S. Cl.** **D23/255**

FIG. 2 is a right side elevational view thereof, the left side elevational view being a mirror image thereof;

[58] **Field of Search** D23/238-243,
D23/200-257; 4/675-678

FIG. 3 is a front elevational view thereof;

[56] **References Cited**

U.S. PATENT DOCUMENTS

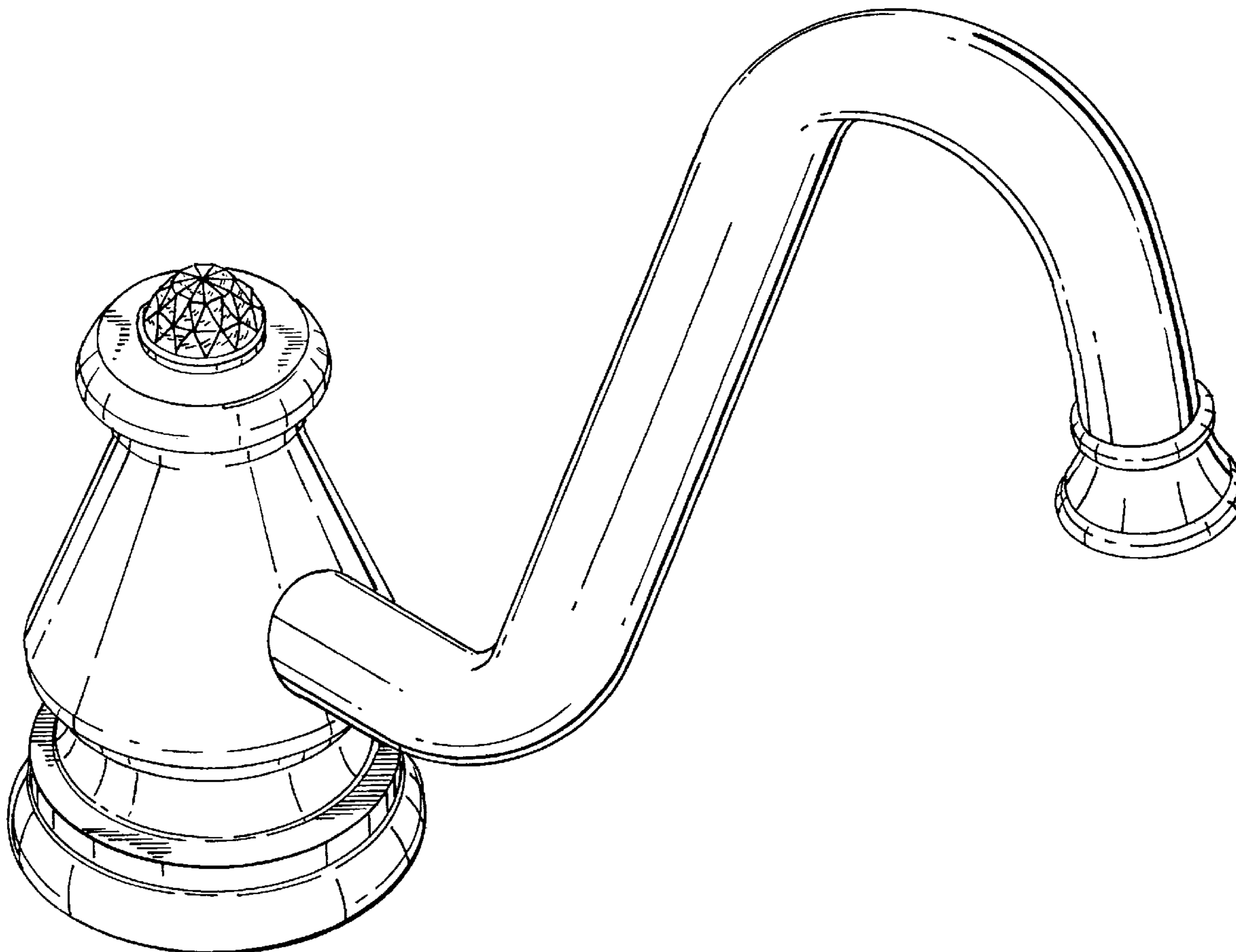
- D. 217,670 5/1970 Rowlands .
- D. 217,671 5/1970 Rowlands .
- D. 318,099 7/1991 Reid et al. D23/255

FIG. 4 is a rear elevational view thereof;

FIG. 5 is a top plan view thereof; and,

FIG. 6 is a bottom view thereof;

1 Claim, 3 Drawing Sheets



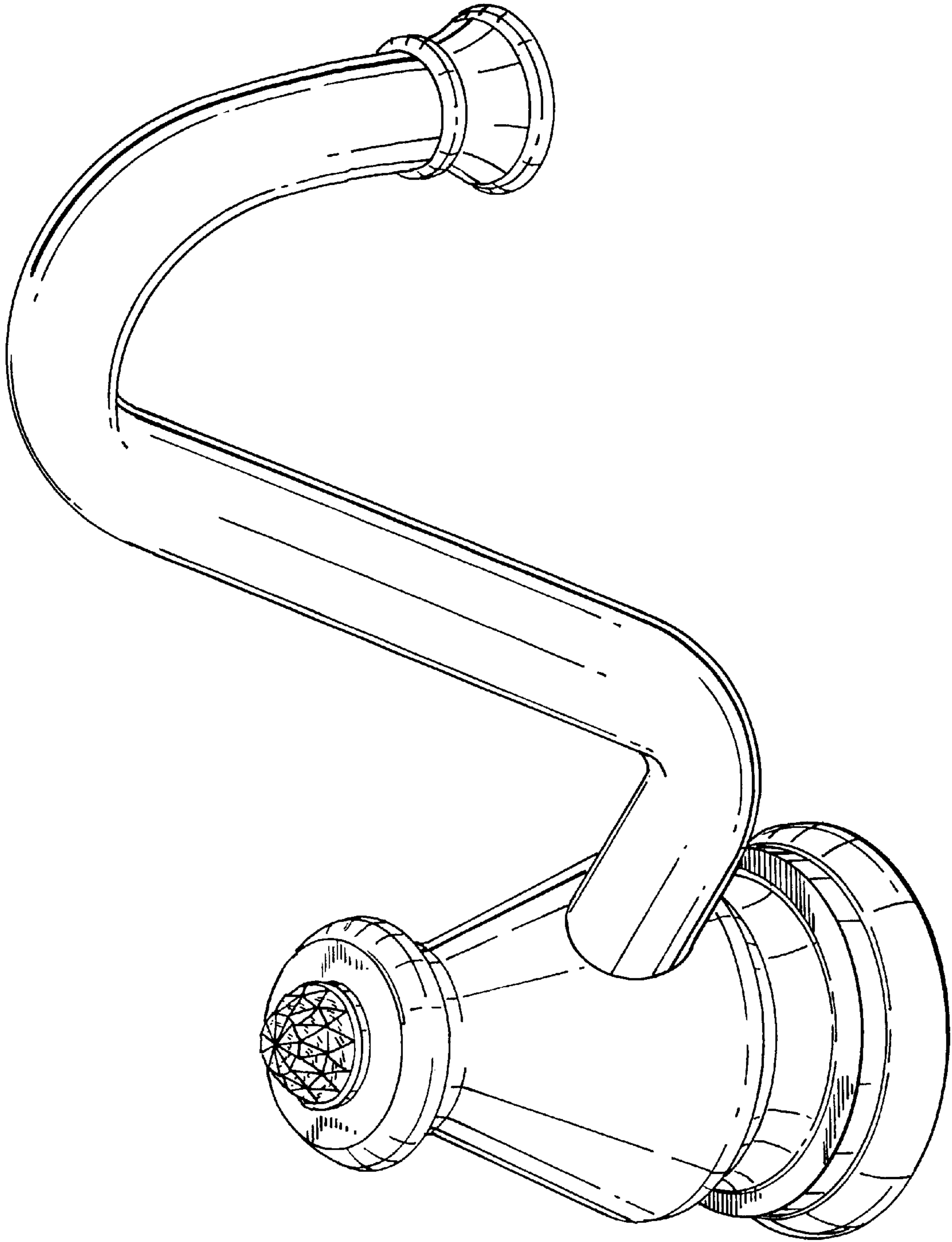


Fig. 1

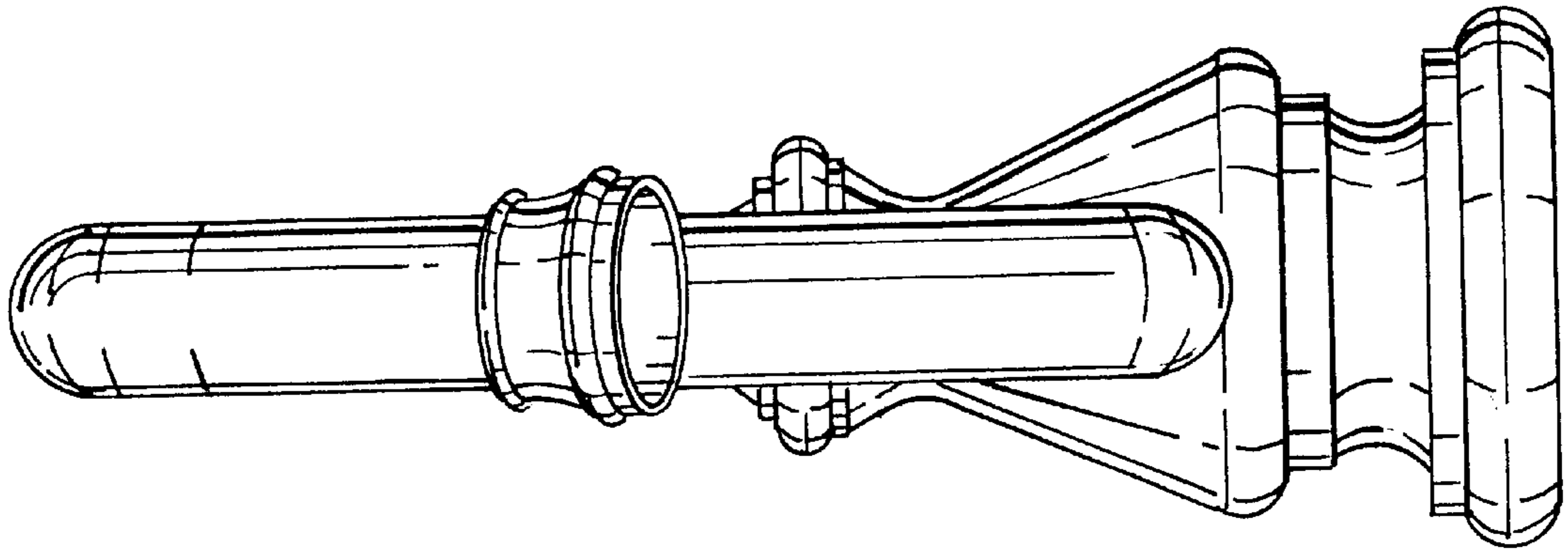


Fig. 3

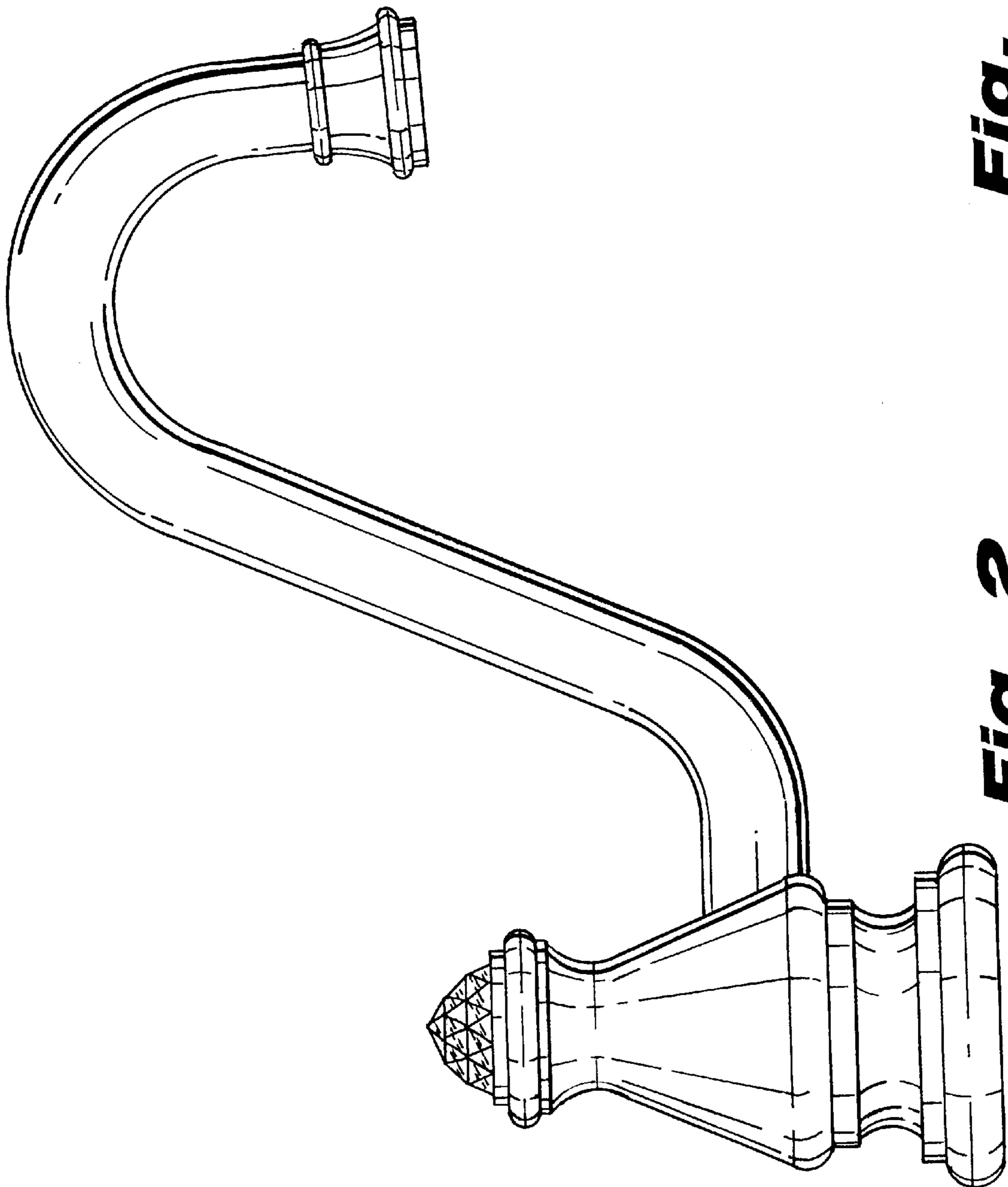


Fig. 2

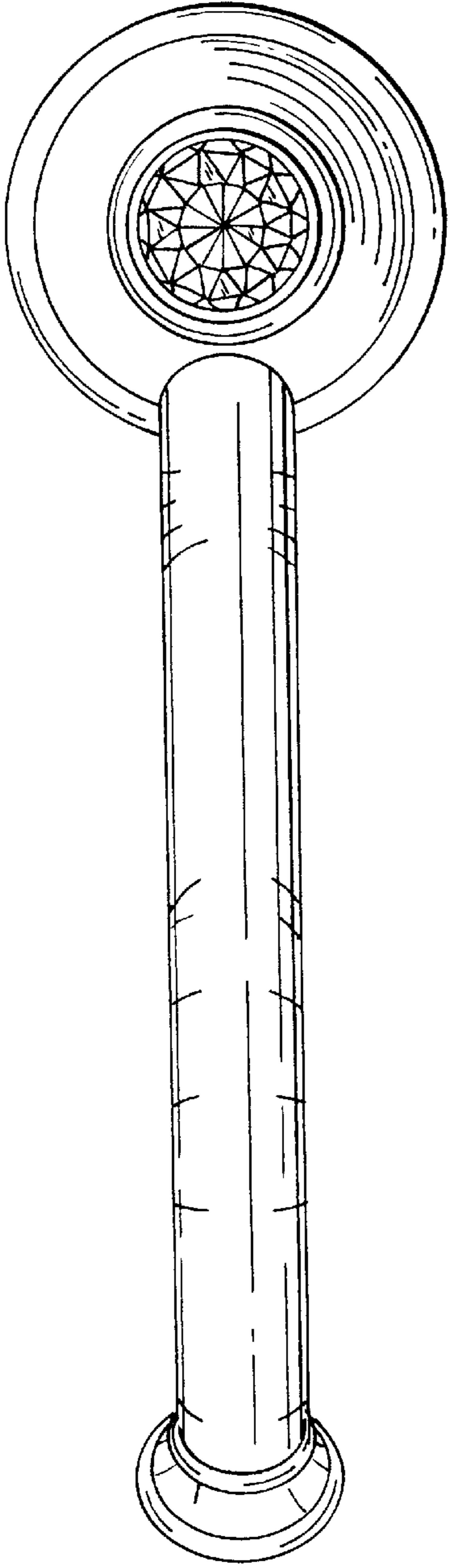


Fig. 5

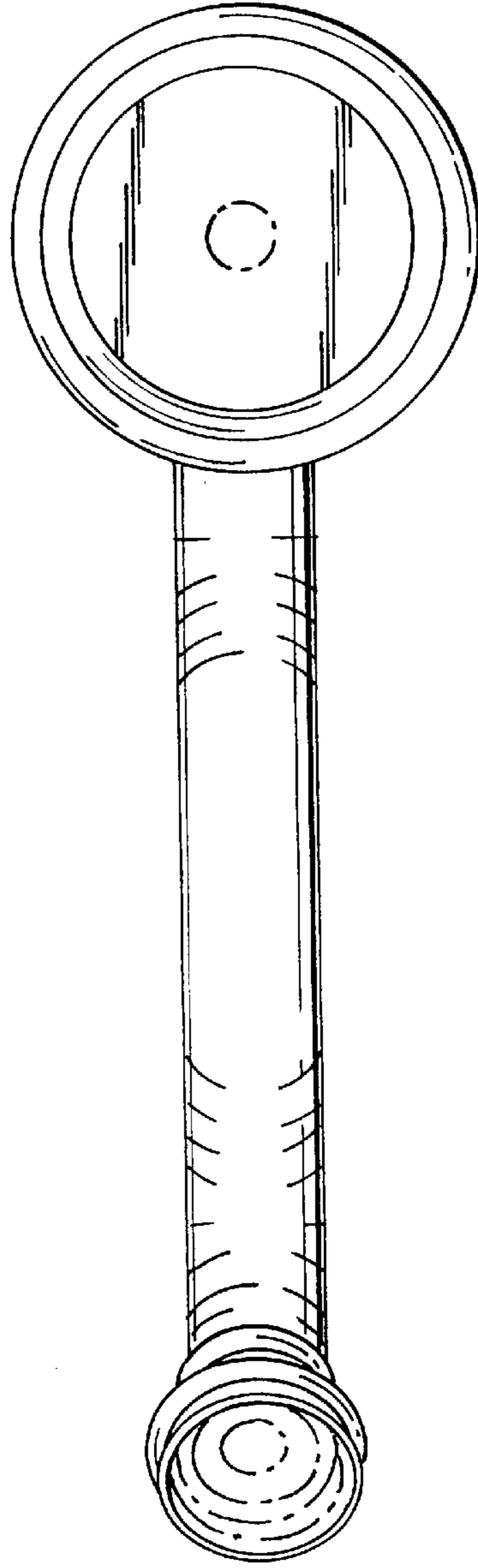


Fig. 6

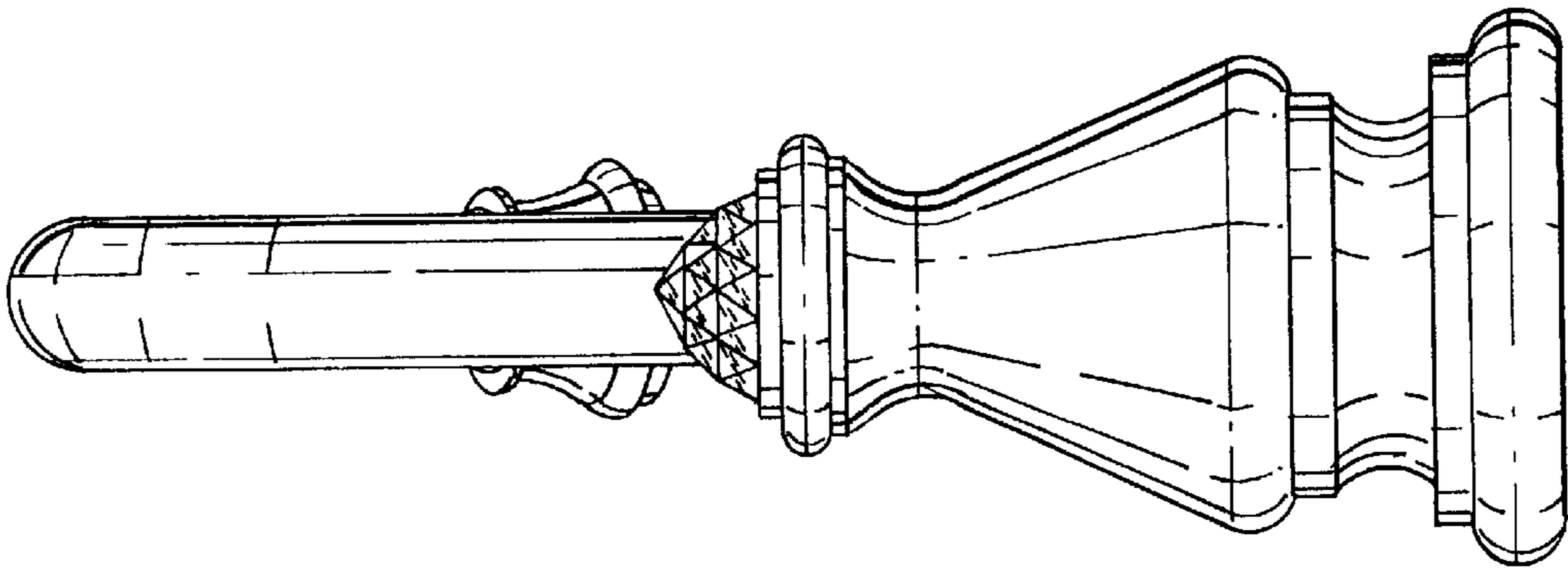


Fig. 4