



US00D408896S

# United States Patent [19] Pitsch

[11] **Patent Number: Des. 408,896**

[45] **Date of Patent: \*\*Apr. 27, 1999**

[54] **FAUCET SPOUT**

D. 397,207 8/1998 Lord ..... D23/241

[75] **Inventor: Walter Pitsch, Franklin Park, N.J.**

### OTHER PUBLICATIONS

[73] **Assignee: American Standard Inc., Piscataway, N.J.**

D. 23/238 Delta-Delex Faucets Catalog, 1976.

[\*\*] **Term: 14 Years**

*Primary Examiner*—Louis S. Zarfes

*Assistant Examiner*—Eric Watterson

[21] **Appl. No.: 29/086,506**

### [57] CLAIM

[22] **Filed: Apr. 14, 1998**

The ornamental design for a faucet spout, as shown and described.

[51] **LOC (6) Cl. .... 23-01**

### DESCRIPTION

[52] **U.S. Cl. .... D23/255**

[58] **Field of Search** ..... D23/238-243,  
D23/250-257; 4/675-678; 137/801

FIG. 1 is a top, front, and right side perspective view of a faucet spout showing my new design in full lines, and environmental association matter in broken lines;

FIG. 2 is a front elevational view thereof;

FIG. 3 is a rear elevational view thereof;

FIG. 4 is a top plan view thereof;

FIG. 5 is a bottom plan view thereof; and,

FIG. 6 is a left side elevational view, the opposite side being a mirror image thereof.

The broken line showing is for illustrative purposes only and forms no part of the claimed design.

### [56] References Cited

#### U.S. PATENT DOCUMENTS

D. 276,257	11/1984	Fobiow	.....	D23/241
D. 359,342	6/1995	Doughty et al.	.....	D23/241
D. 373,621	9/1996	Doughty et al.	.....	D23/242
D. 376,414	12/1996	Doughty et al.	.....	D23/241
D. 380,810	7/1997	Doughty et al.	.....	D23/242
D. 381,402	7/1997	Doughty et al.	.....	D23/241
D. 387,416	12/1997	Cotin	.....	D23/241

**1 Claim, 4 Drawing Sheets**

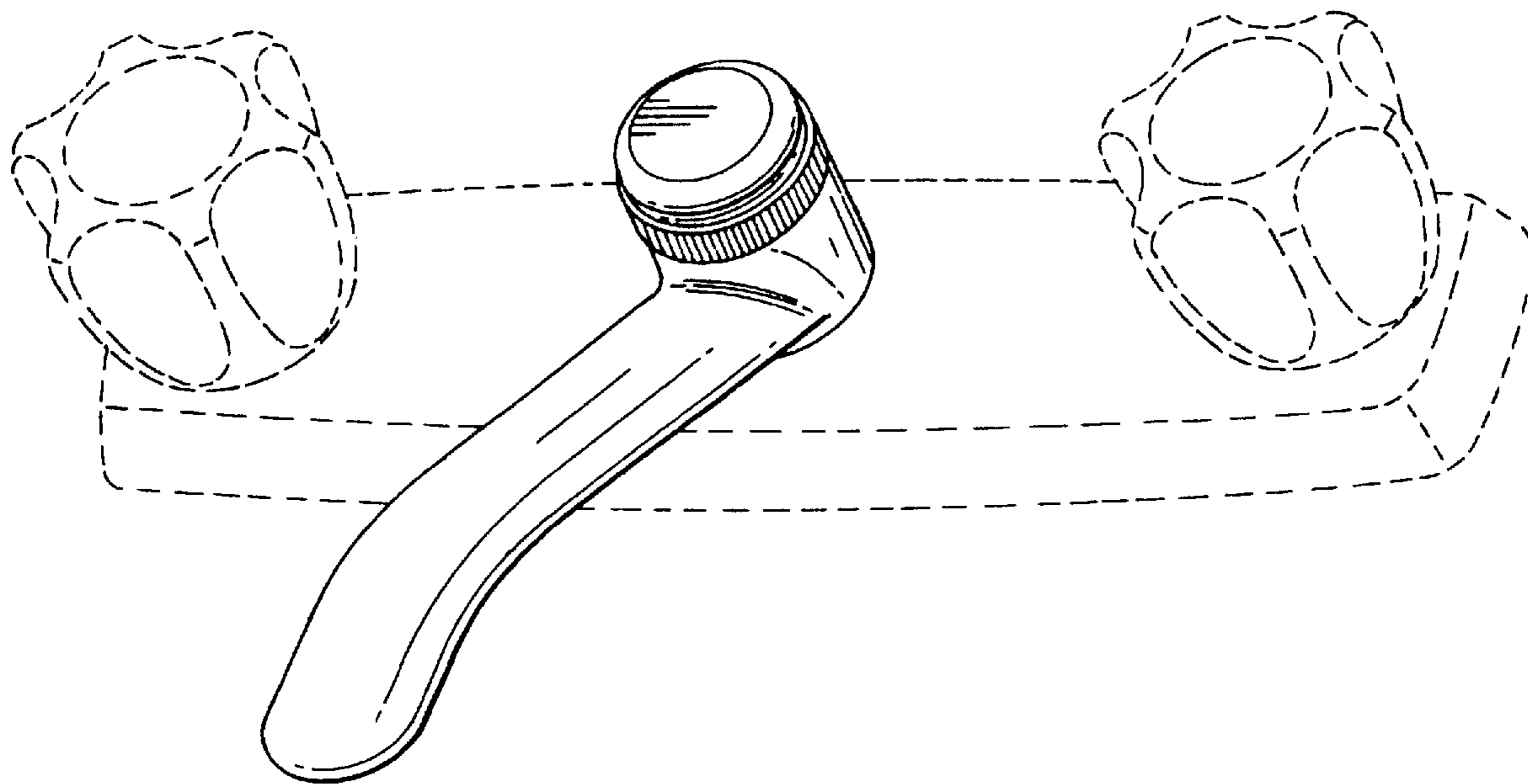


FIG. 1

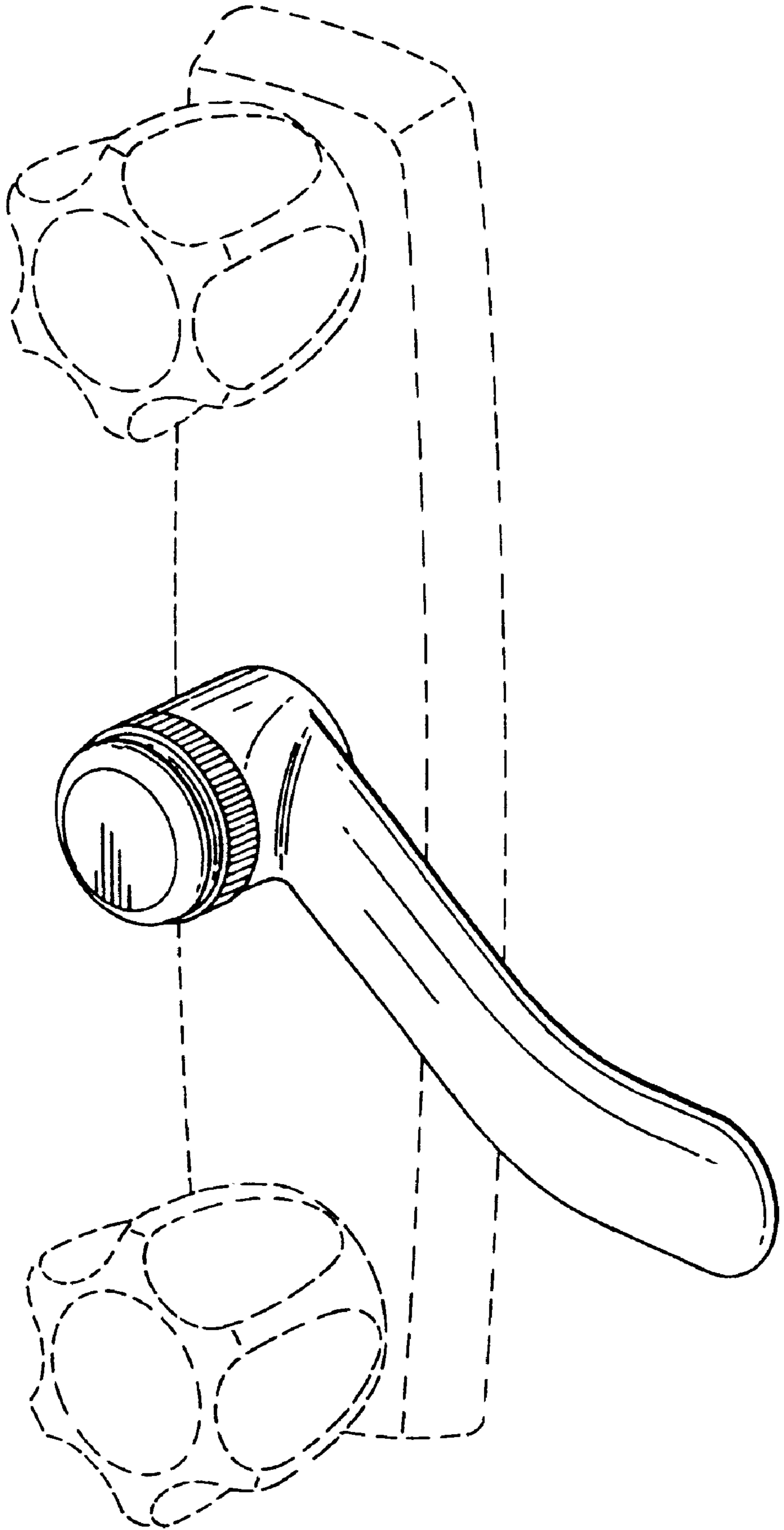


FIG. 2

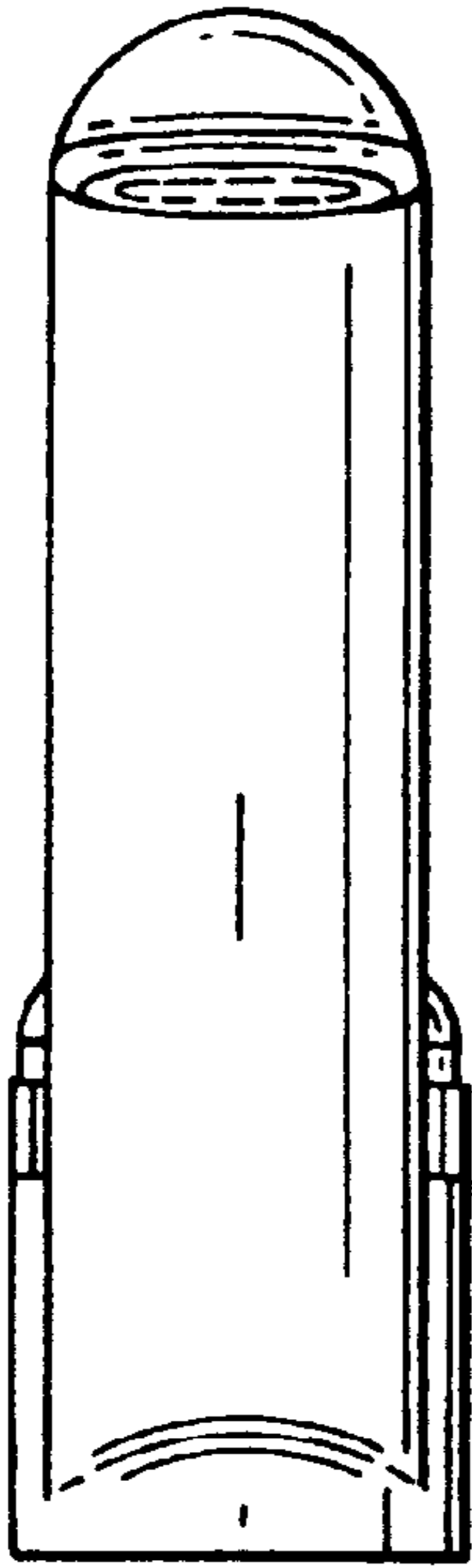


FIG. 3

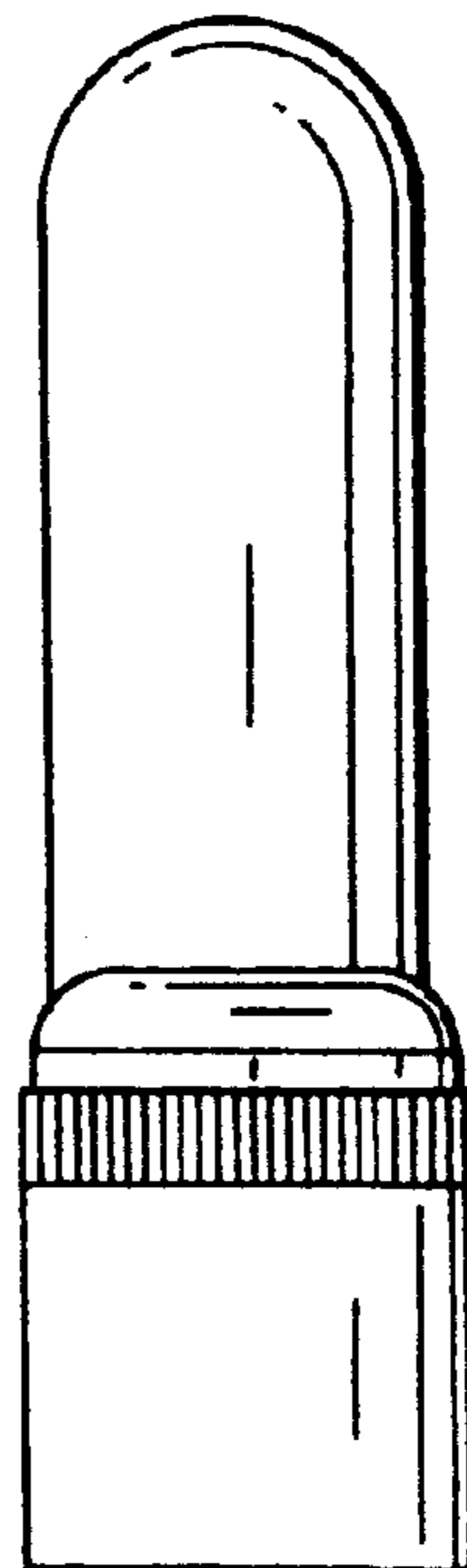


FIG. 4

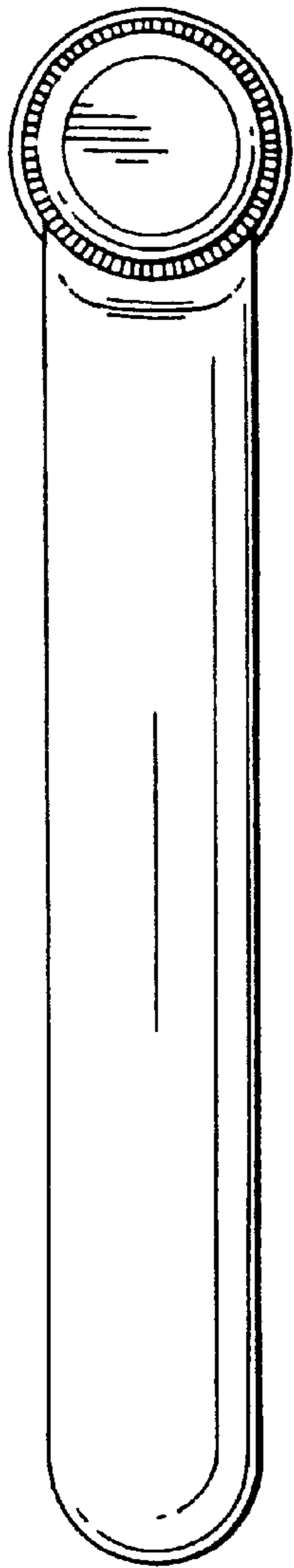


FIG. 5

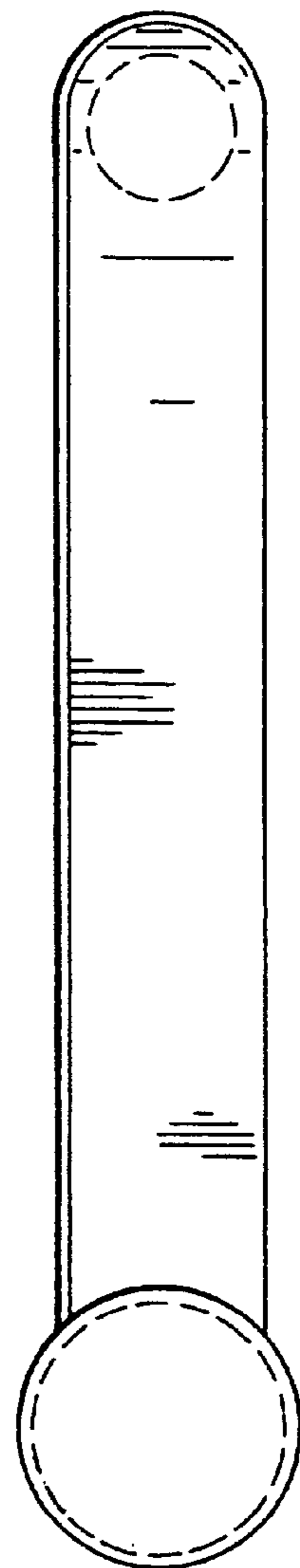


FIG. 6

