

US00D40888S

United States Patent [19] Huen

[11] Patent Number: Des. 408,888

[45] Date of Patent: *** Apr. 27, 1999

[54] **HAND-HELD PULSATING SHOWER HEAD**

[75] Inventor: **Hing Wah Raico Huen**, Tortola, Virgin Islands (Br.)

[73] Assignee: **Oasis Global Limited**, Tortola, Virgin Islands (Br.)

[*] Notice: This patent is subject to a terminal disclaimer.

[**] Term: **14 Years**

[21] Appl. No.: **29/068,196**

[22] Filed: **Mar. 18, 1997**

[51] LOC (6) Cl. **23-01**

[52] U.S. Cl. **D23/223**

[58] Field of Search D23/213, 223, D23/226, 229, 230; 239/276, 394, 525

[56] **References Cited**

U.S. PATENT DOCUMENTS

D. 320,064 9/1991 Presman D23/223

D. 328,634	8/1992	Ward	D23/223
D. 351,453	10/1994	Huen	D23/223
D. 366,309	1/1996	Huang	D23/223
D. 367,696	3/1996	Andrus	D23/223
D. 392,718	3/1998	Huen	D23/223
5,551,637	9/1996	Lo	239/394

Primary Examiner—Alan P. Douglas
Assistant Examiner—Robin V. Taylor
Attorney, Agent, or Firm—Salter & Michaelson

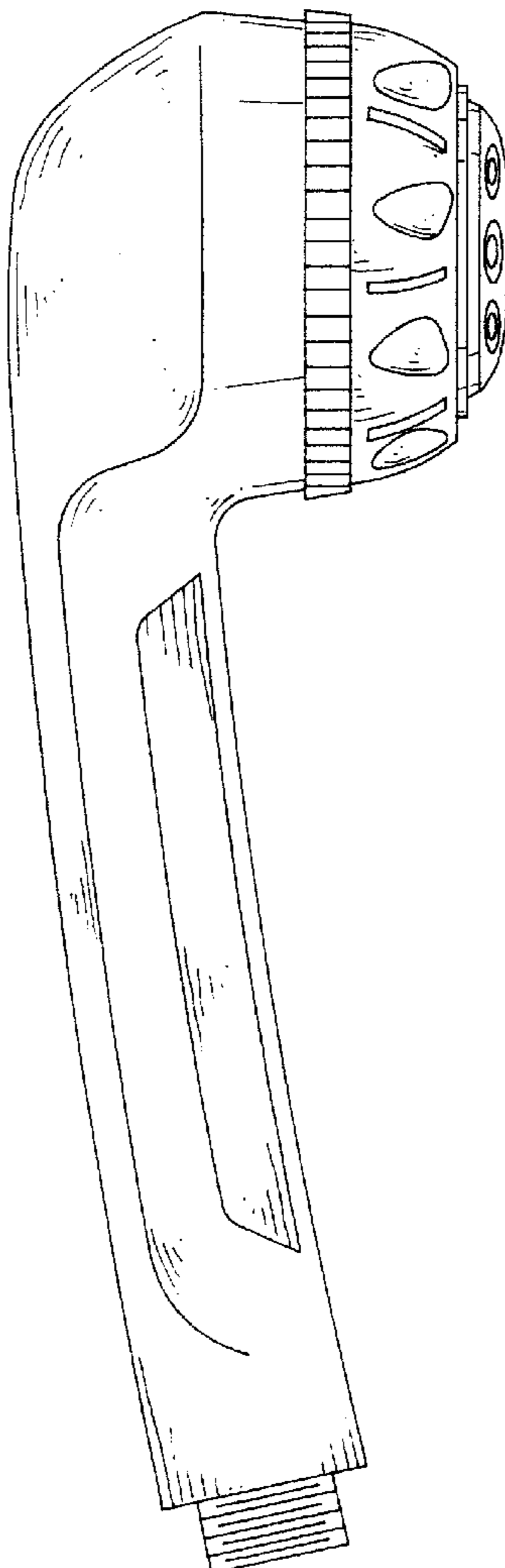
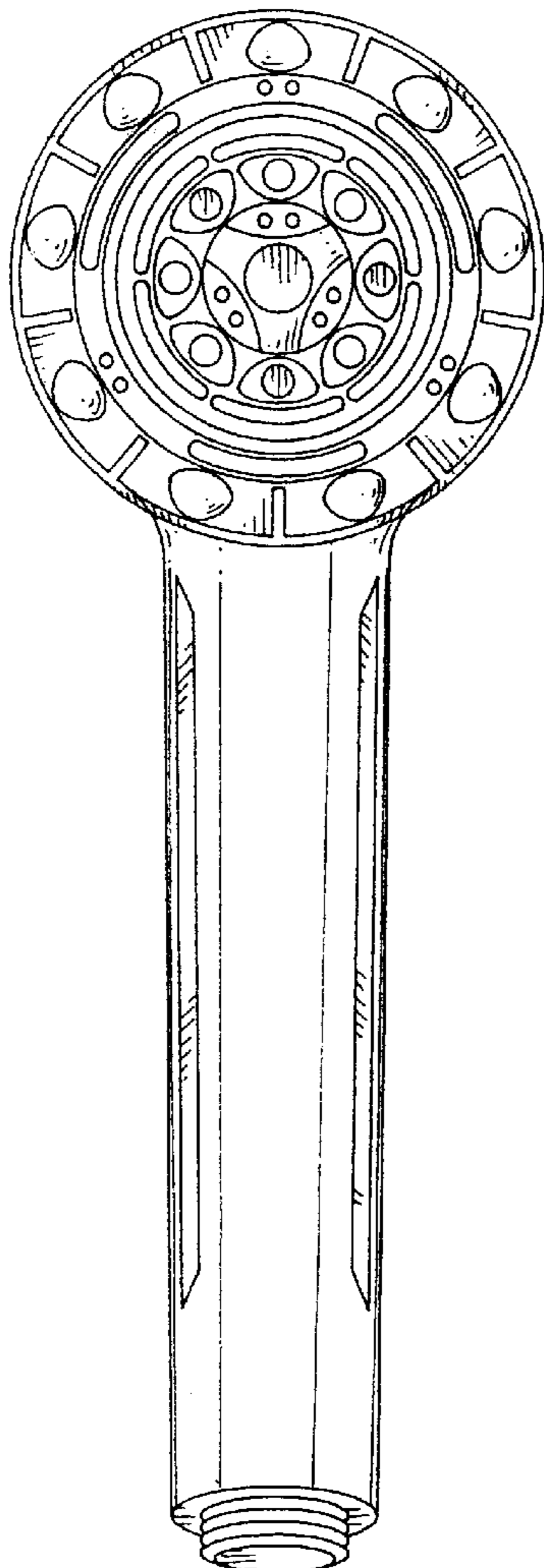
[57] **CLAIM**

The ornamental design a for a hand-held pulsating shower head, as shown and described.

DESCRIPTION

FIG. 1 is a front elevational view for a hand-held pulsating shower head showing my new design; FIG. 2 is a rear elevational view thereof; FIG. 3 is a left side elevational view thereof; FIG. 4 is a right side elevational view thereof; FIG. 5 is a top plan view thereof; and, FIG. 6 is a bottom plan view thereof.

1 Claim, 2 Drawing Sheets



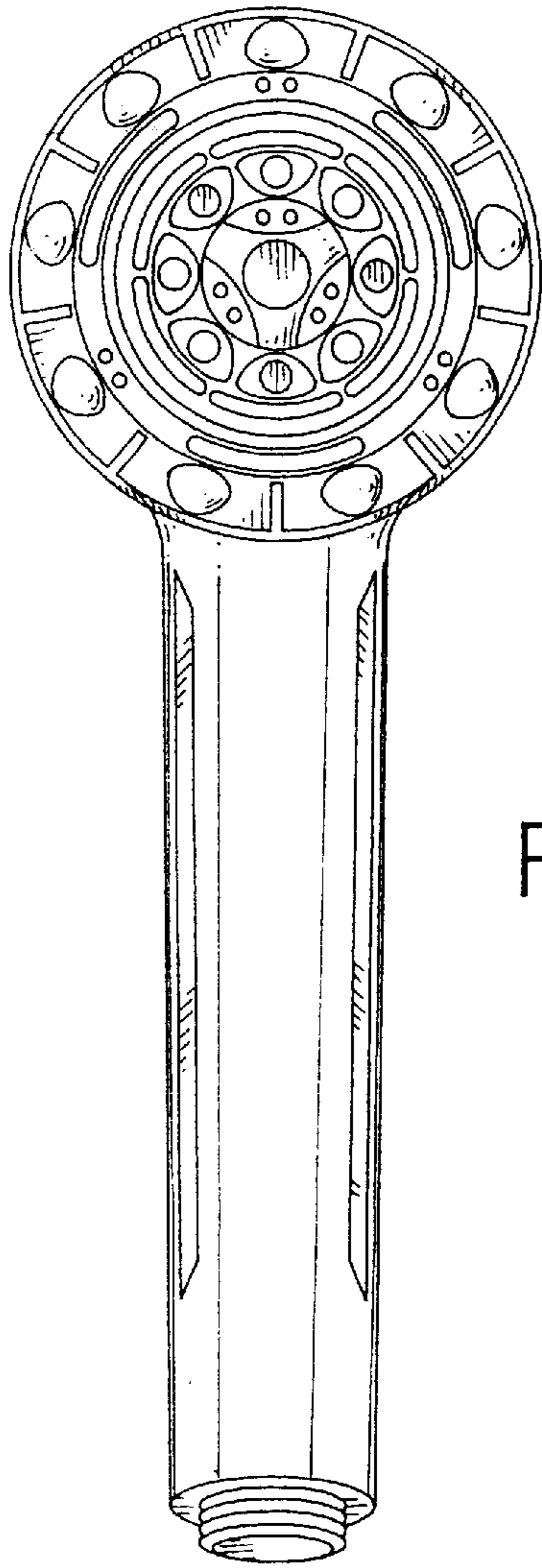


FIG. 1

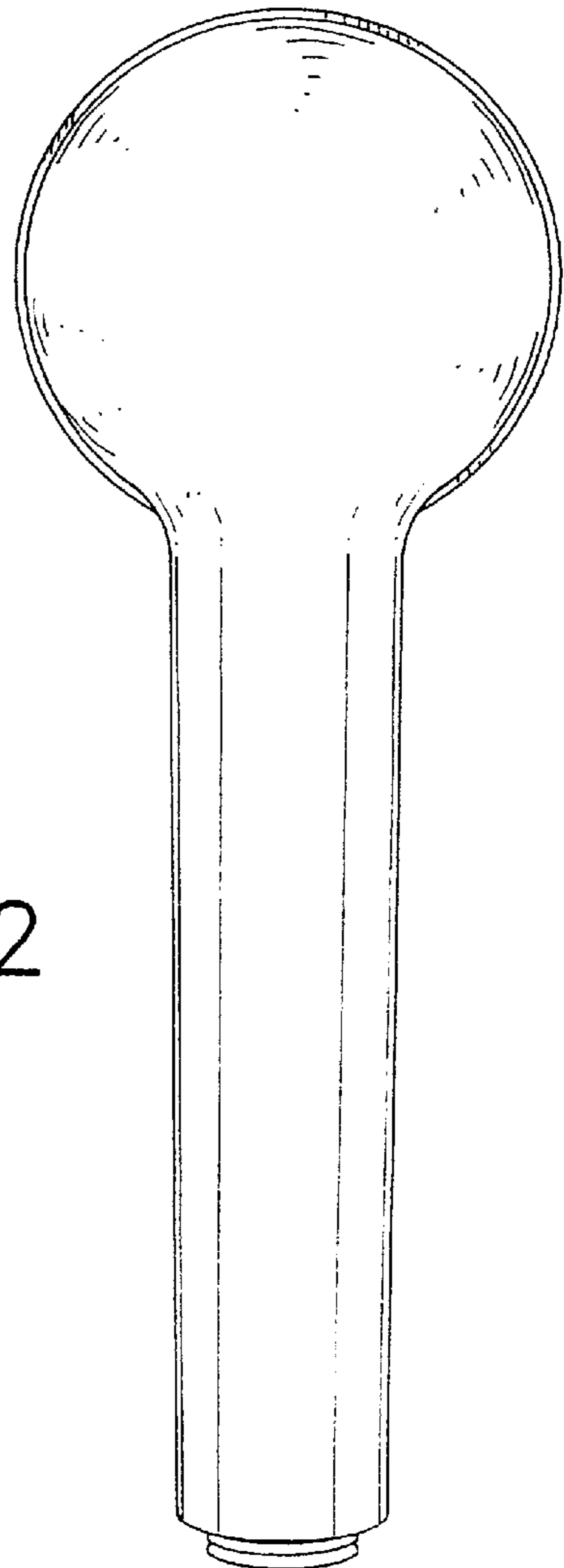


FIG. 2

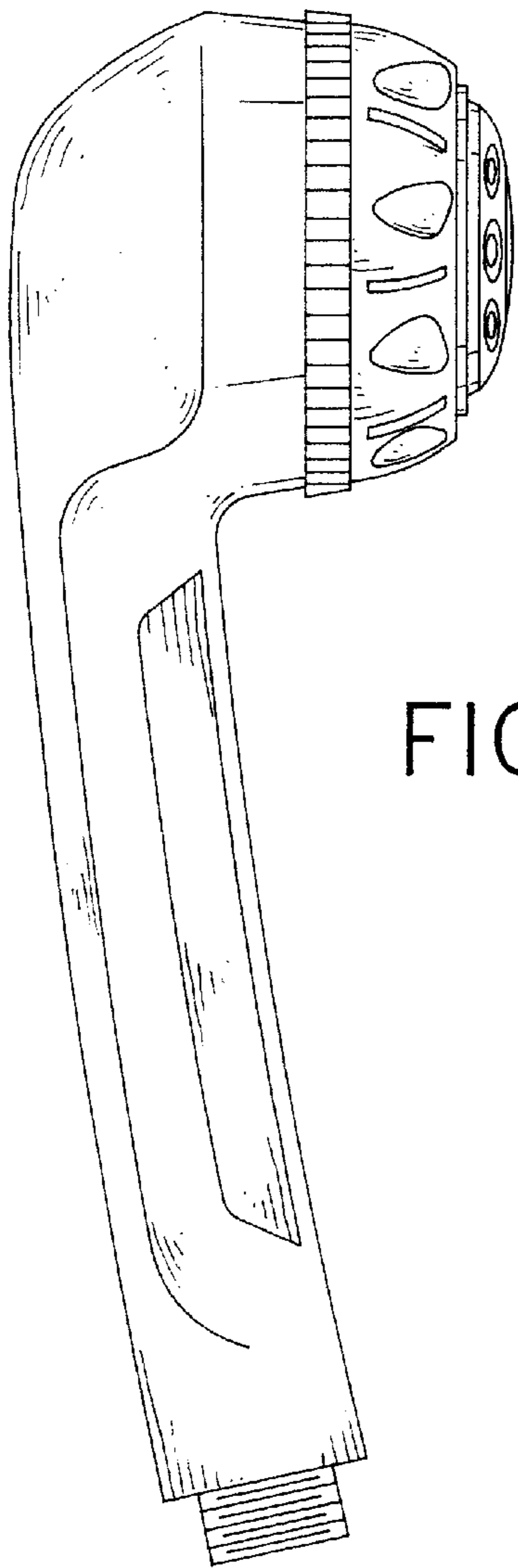


FIG. 3

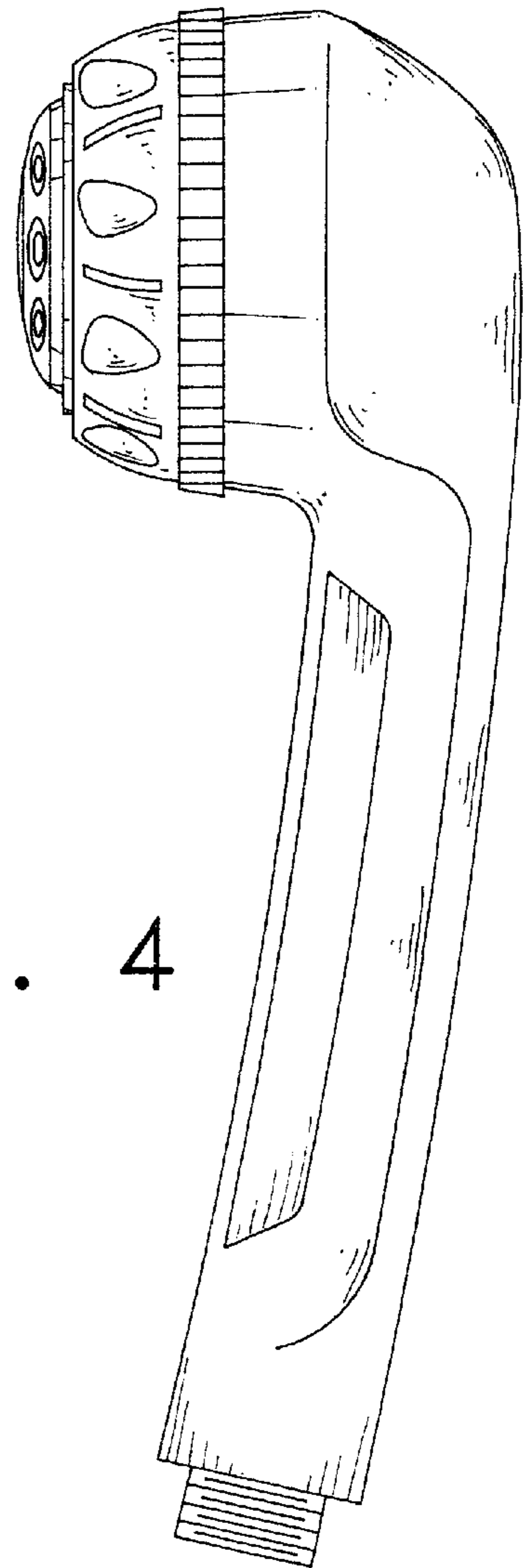


FIG. 4

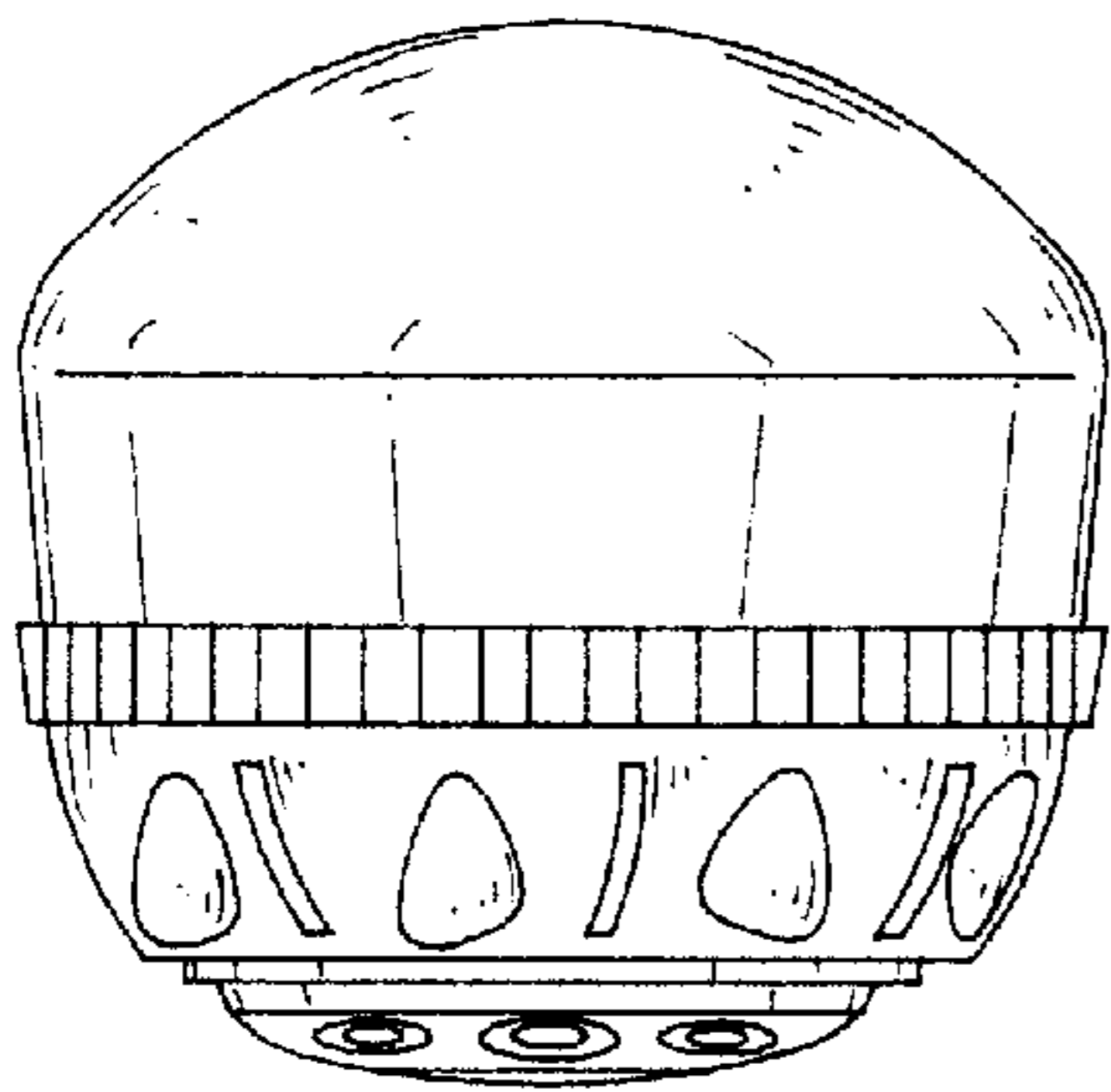


FIG. 5

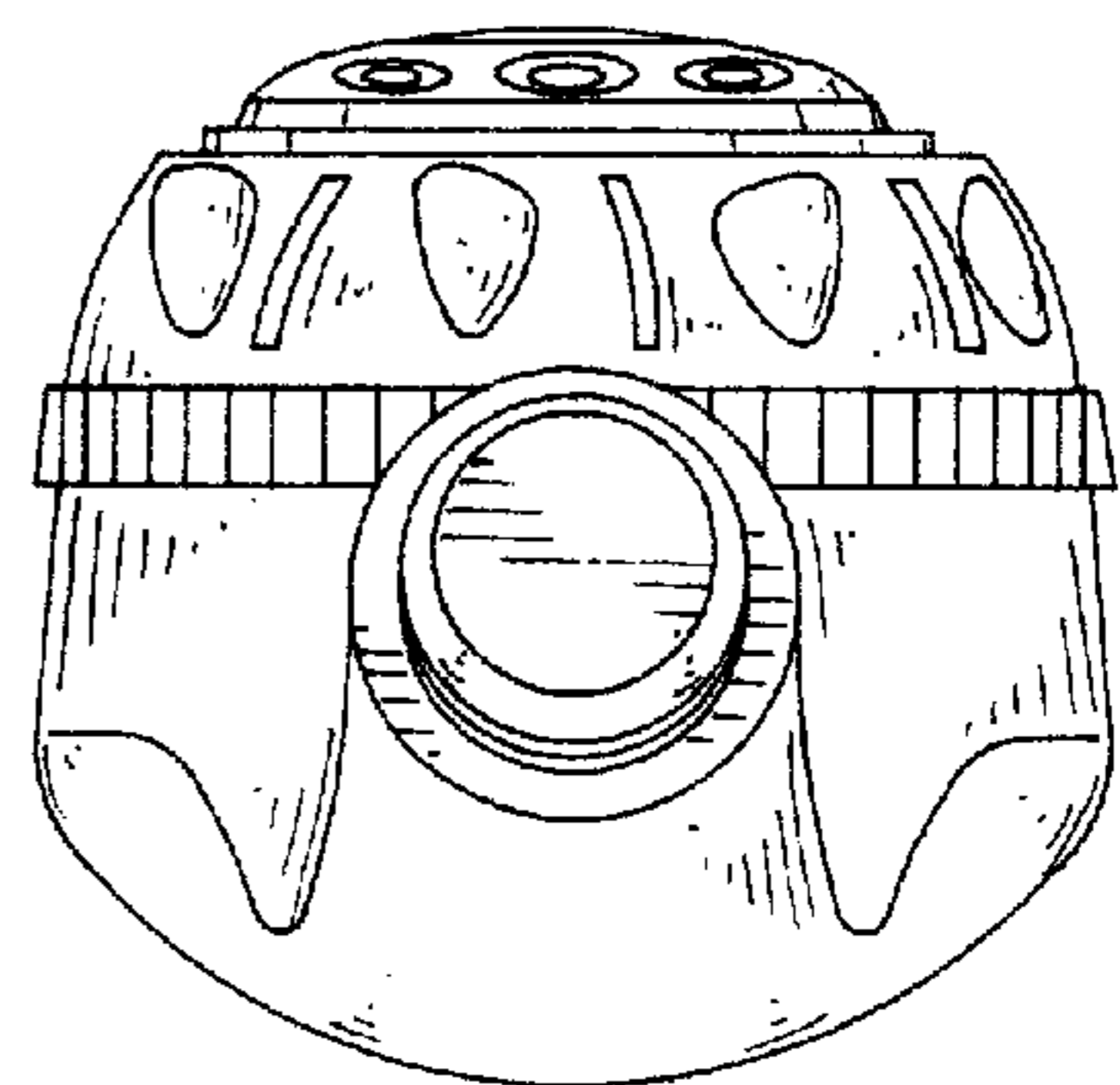


FIG. 6