



US00D408885S

United States Patent [19] O'Neill

[11] Patent Number: Des. 408,885

[45] Date of Patent: ** Apr. 27, 1999

[54] FISHING ROD CRADLE

5,519,959 5/1996 Cross 43/21.2
5,632,112 5/1997 Steinborn 43/21.2

[76] Inventor: Paul Roy O'Neill, 20 Gays Grove,
Devon North, Victoria 3971, Australia

FOREIGN PATENT DOCUMENTS

[**] Term: 14 Years

S-116253 2/1993 Australia .

[21] Appl. No.: 29/070,081

Primary Examiner—Ralf Seifert
Attorney, Agent, or Firm—Shlesinger Arkwright & Garvey
LLP

[22] Filed: Apr. 28, 1997

[57] CLAIM

[30] Foreign Application Priority Data

The ornamental design for fishing rod cradle, as shown and described.

Nov. 13, 1996 [AU] Australia 3901/96

[51] LOC (6) Cl. 22-05

DESCRIPTION

[52] U.S. Cl. D22/147

[58] Field of Search D22/147; 43/21.2;
248/518, 534, 513

FIG. 1 is a perspective view of a fishing rod cradle in accordance with the invention; the lower mounting portion shown in broken lines is to be disregarded when considering the scope of protection;

[56] References Cited

U.S. PATENT DOCUMENTS

D. 306,396	3/1990	Brushaber	D22/147
D. 394,486	5/1998	O'Neill	D22/147
2,632,616	3/1953	Heistand	248/513
3,612,454	10/1971	Linn	248/518
4,485,578	12/1984	Novey	248/534
4,586,688	5/1986	Hartman	43/21.2
4,901,970	2/1990	Moss	43/21.2
5,321,904	6/1994	Benson	43/21.2
5,344,115	9/1994	Mayne	248/534

FIG. 2 is a front view of the cradle of FIG. 1;

FIG. 3 is a right side view of the cradle shown in FIG. 2;

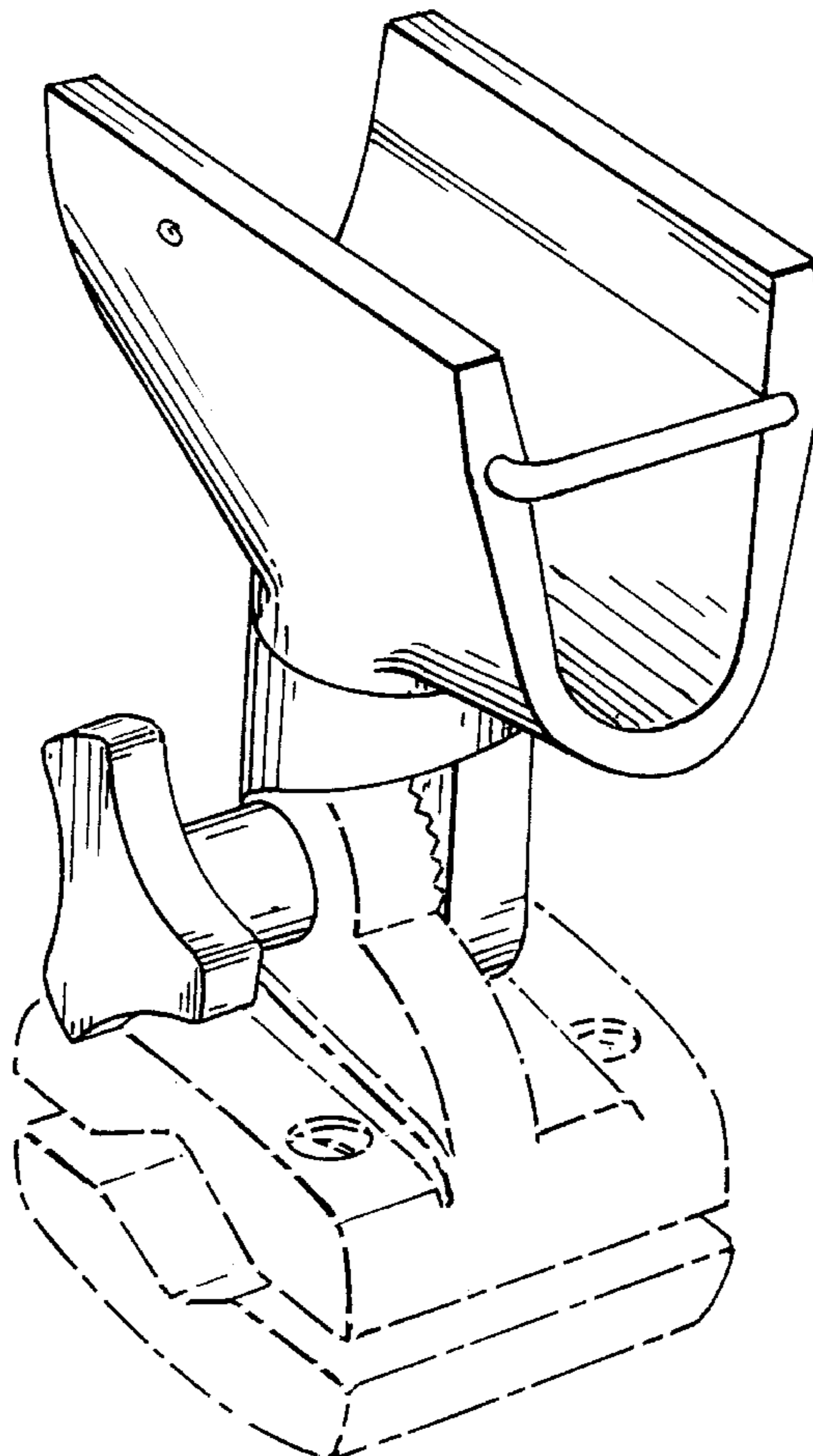
FIG. 4 is a left side view of the cradle shown in FIG. 2;

FIG. 5 is a top plan view of the cradle;

FIG. 6 is a rear view of the cradle with a lock pin of the cradle in an open position; and,

FIG. 7 is a side view of the cradle of FIG. 3 and showing an upper part of the cradle rotated about a vertical axis and a lower part of the cradle rotated about a horizontal axis.

1 Claim, 5 Drawing Sheets



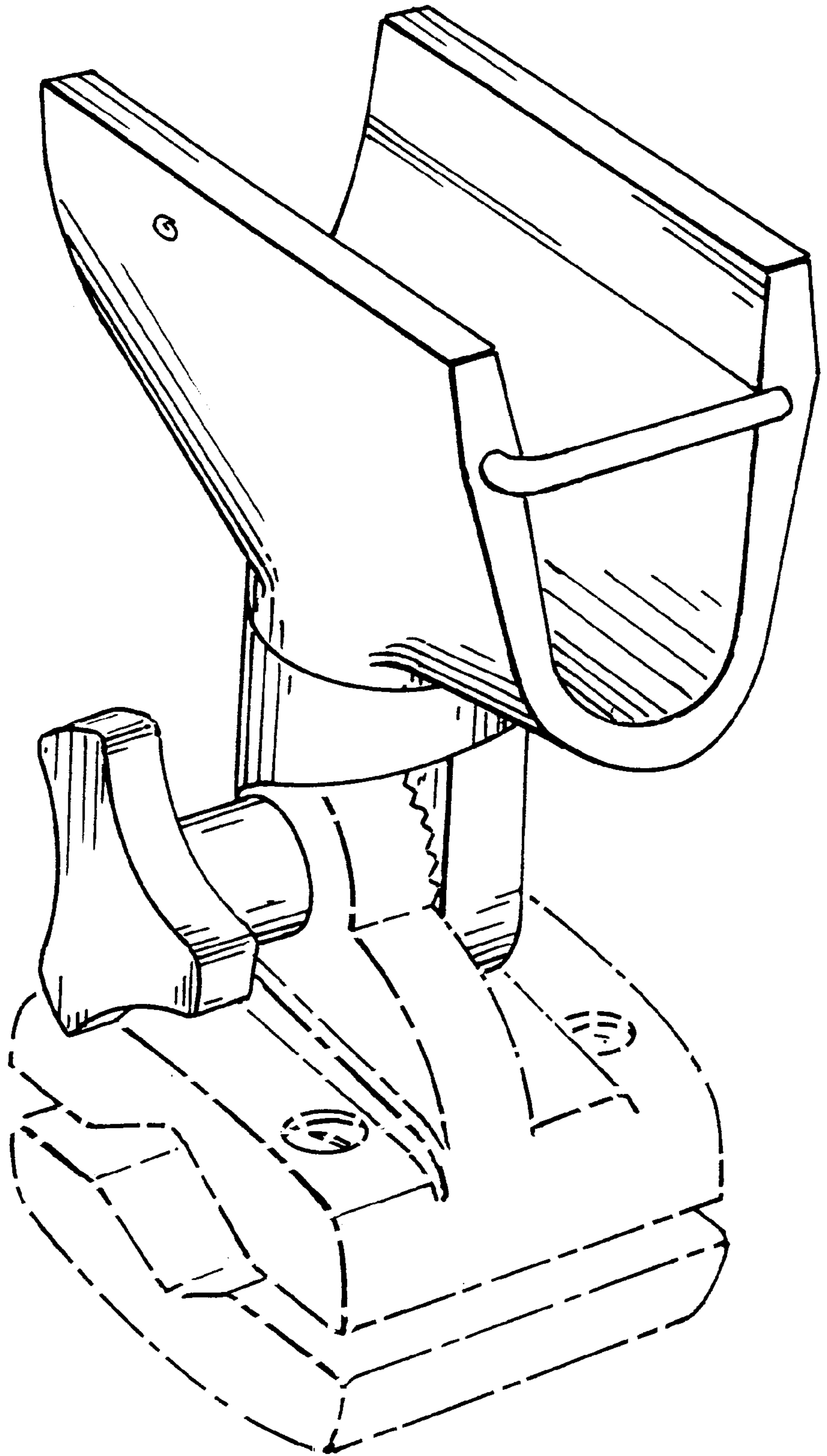


FIG. 1.

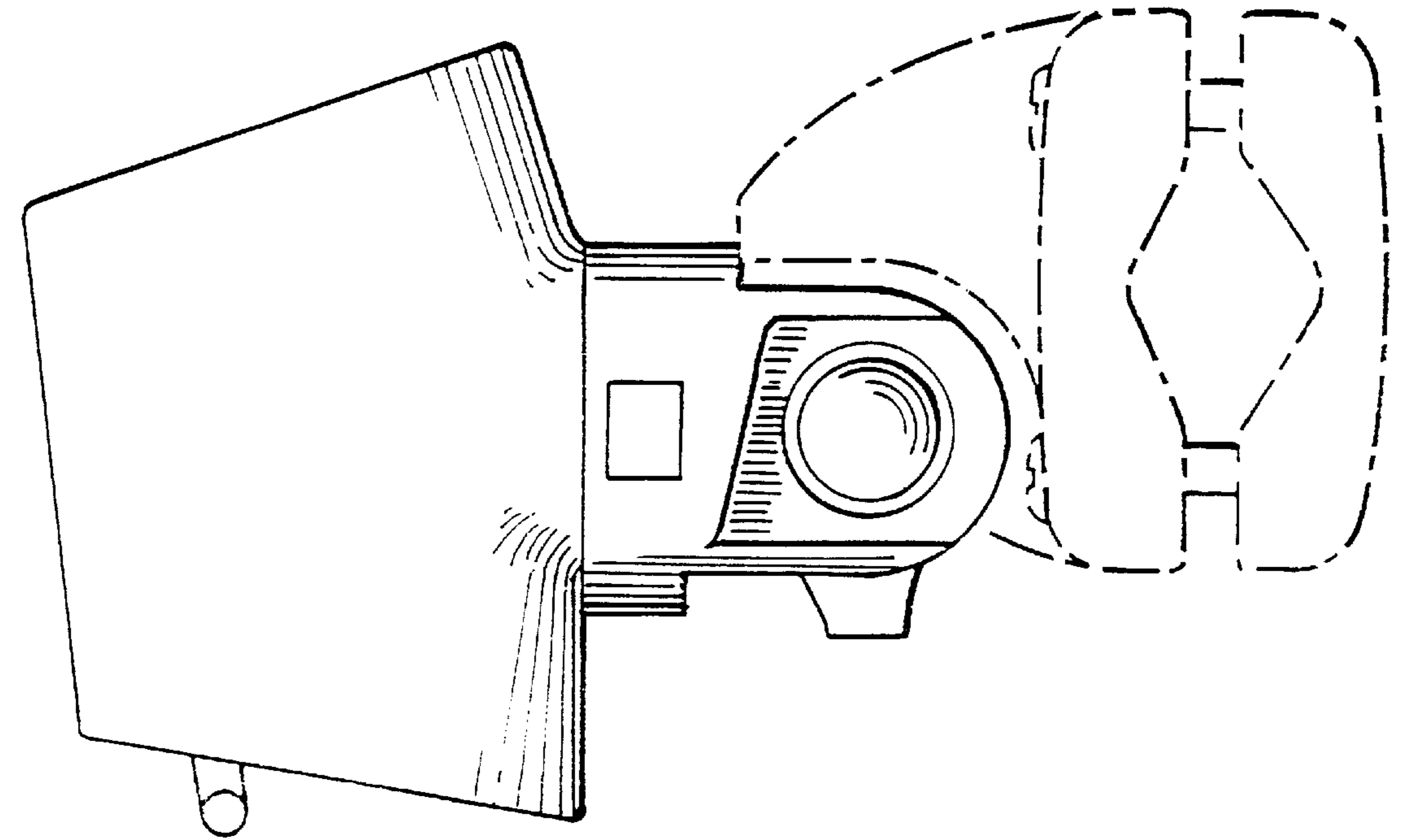


FIG. 3.

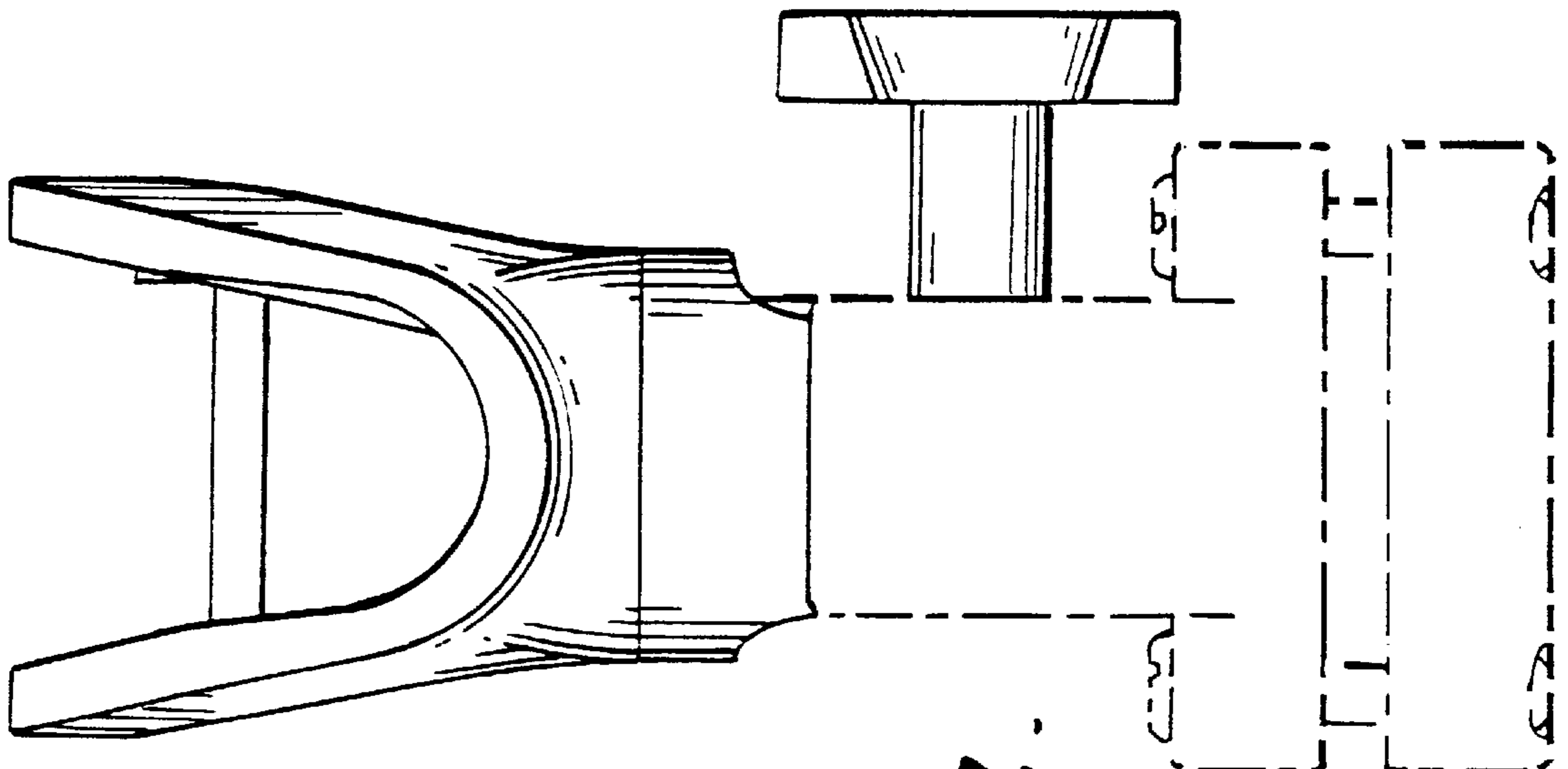


FIG. 2.

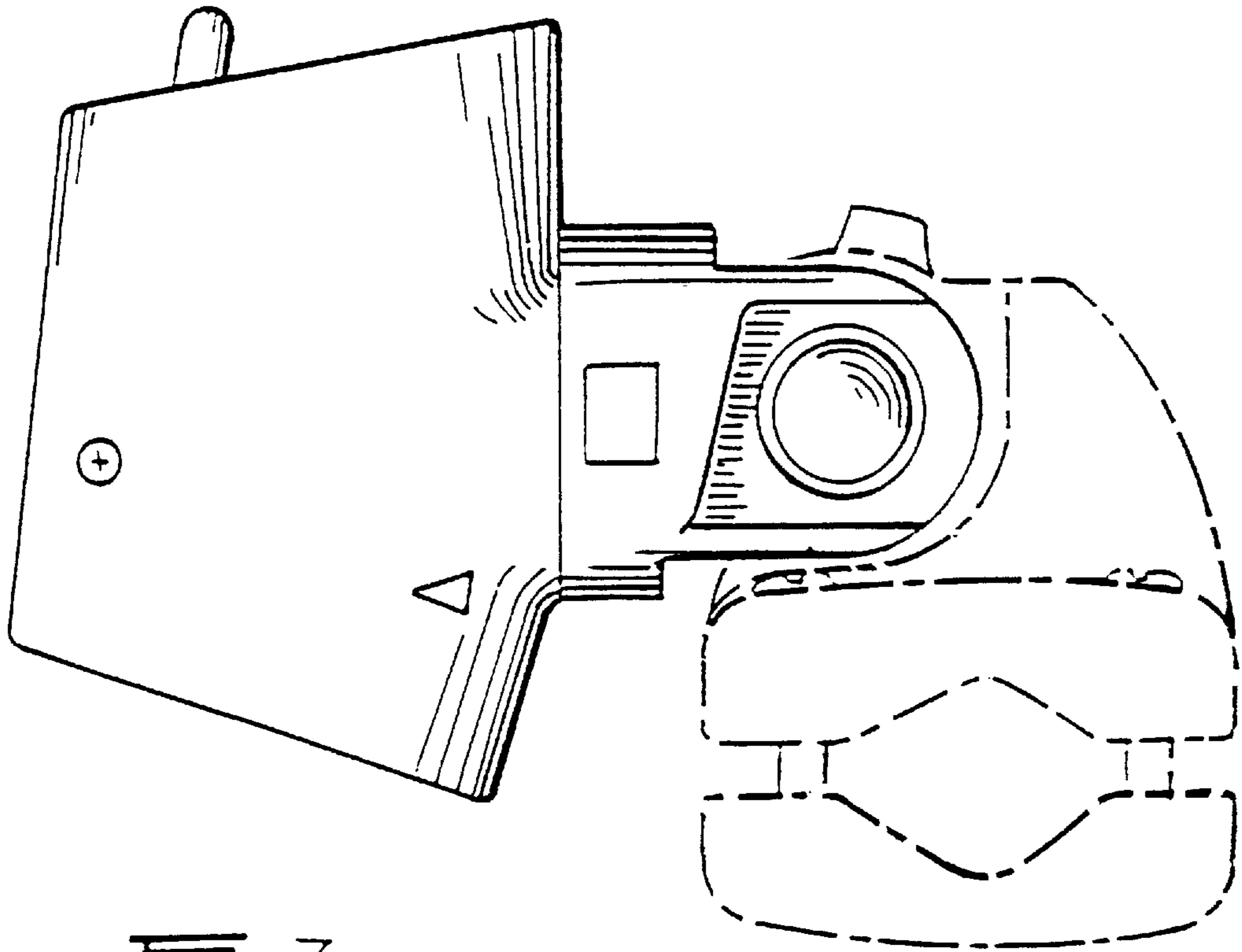


FIG. 7.

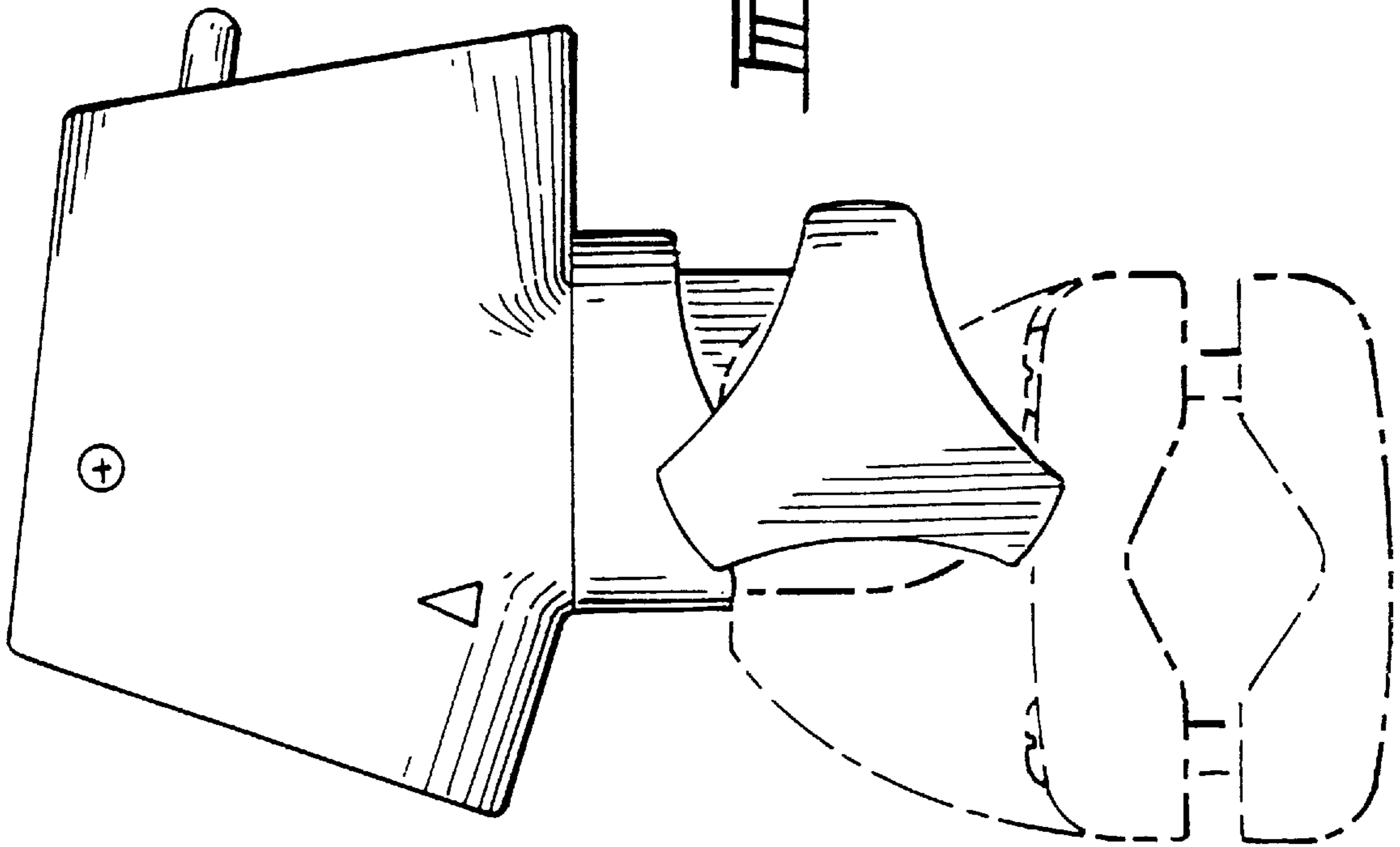


FIG. 4.

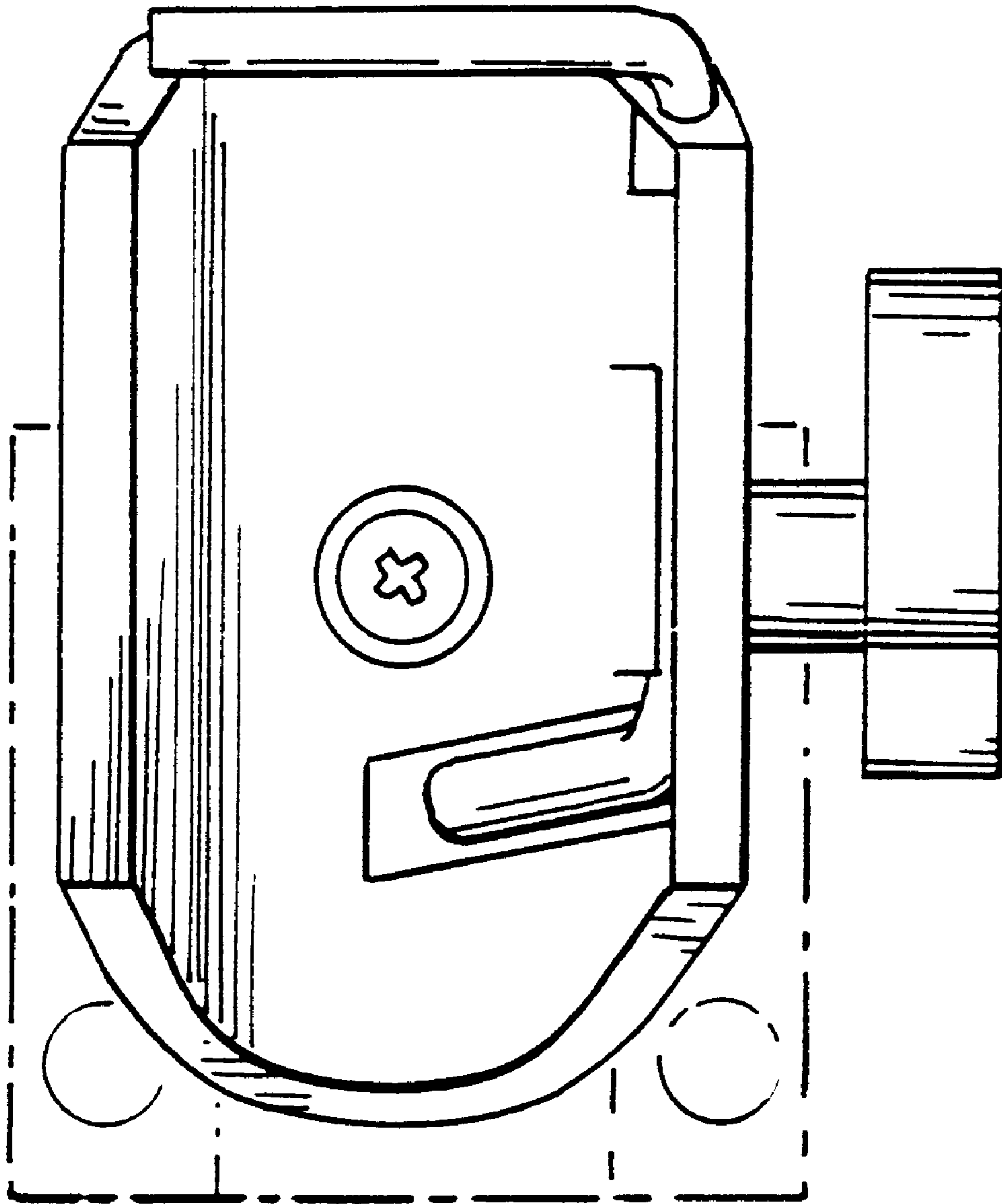


FIG. 5.

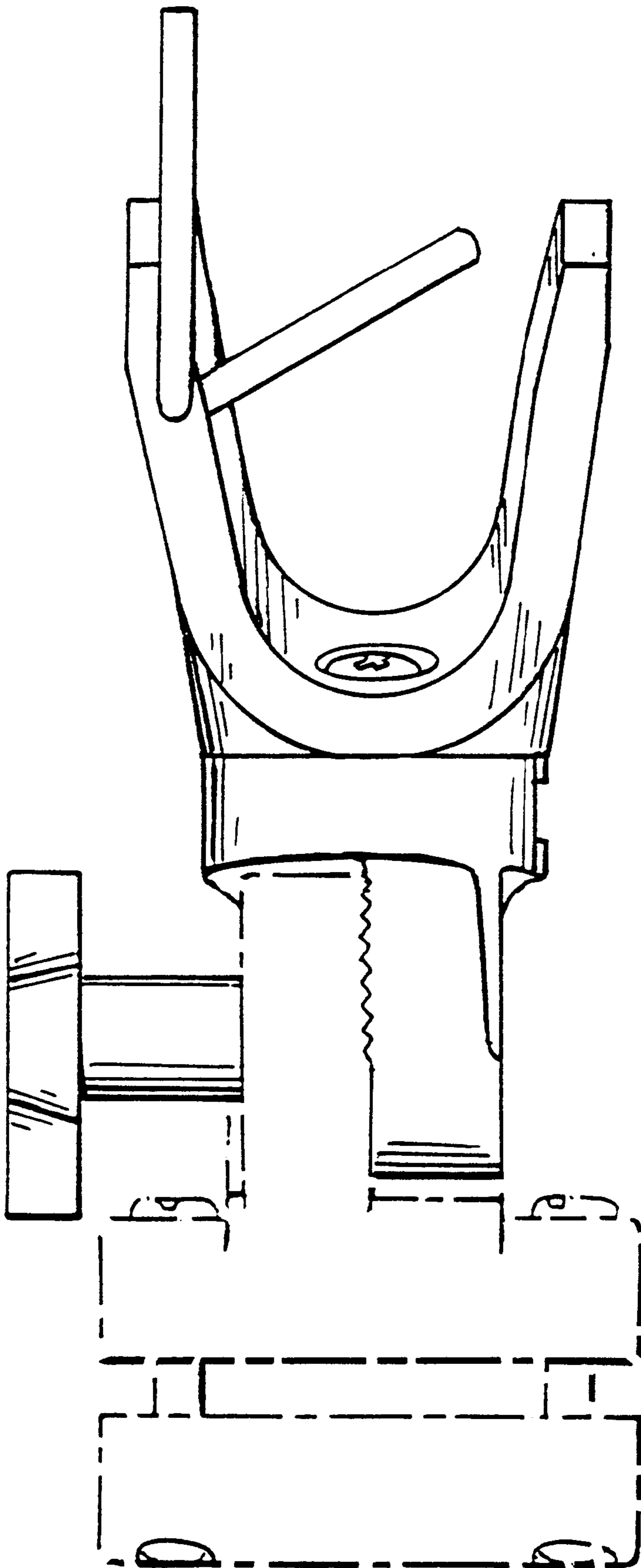


FIG. 6.