



US00D408884S

# United States Patent [19] Wendlinger

[11] **Patent Number: Des. 408,884**

[45] **Date of Patent: \*\*Apr. 27, 1999**

[54] **BASE FOR FISHING TIP UP**

[75] Inventor: **Mark A. Wendlinger**, Schererville, Ind.

[73] Assignee: **Maurice Sporting Goods, Inc.**,  
Northbrook, Ill.

[\*\*] Term: **14 Years**

[21] Appl. No.: **29/081,982**

[22] Filed: **Jan. 12, 1998**

[51] **LOC (6) Cl.** ..... **22-05**

[52] **U.S. Cl.** ..... **D22/134**

[58] **Field of Search** ..... D22/134, 148;  
D11/141; 43/17

[56] **References Cited**

**U.S. PATENT DOCUMENTS**

D. 175,801	10/1955	Sharps	.....	D22/134
D. 196,888	11/1963	Pilsner	.....	D22/134
D. 286,425	10/1986	Haase	.....	D22/134
D. 347,393	5/1994	Young	.....	D11/141

*Primary Examiner*—Louis S. Zarfes  
*Assistant Examiner*—Inga-Maria Hyttinen  
*Attorney, Agent, or Firm*—Emrich & Dithmar

[57] **CLAIM**

The ornamental design for the base for fishing tip up, as shown and described.

**DESCRIPTION**

FIG. 1 is a perspective view of the base for fishing tip up, the dashed lines being for illustrative purposes and not forming part of the claimed design;

FIG. 2 is a top plan view of the base for fishing tip up;

FIG. 3 is a front elevational view of the base for fishing tip up;

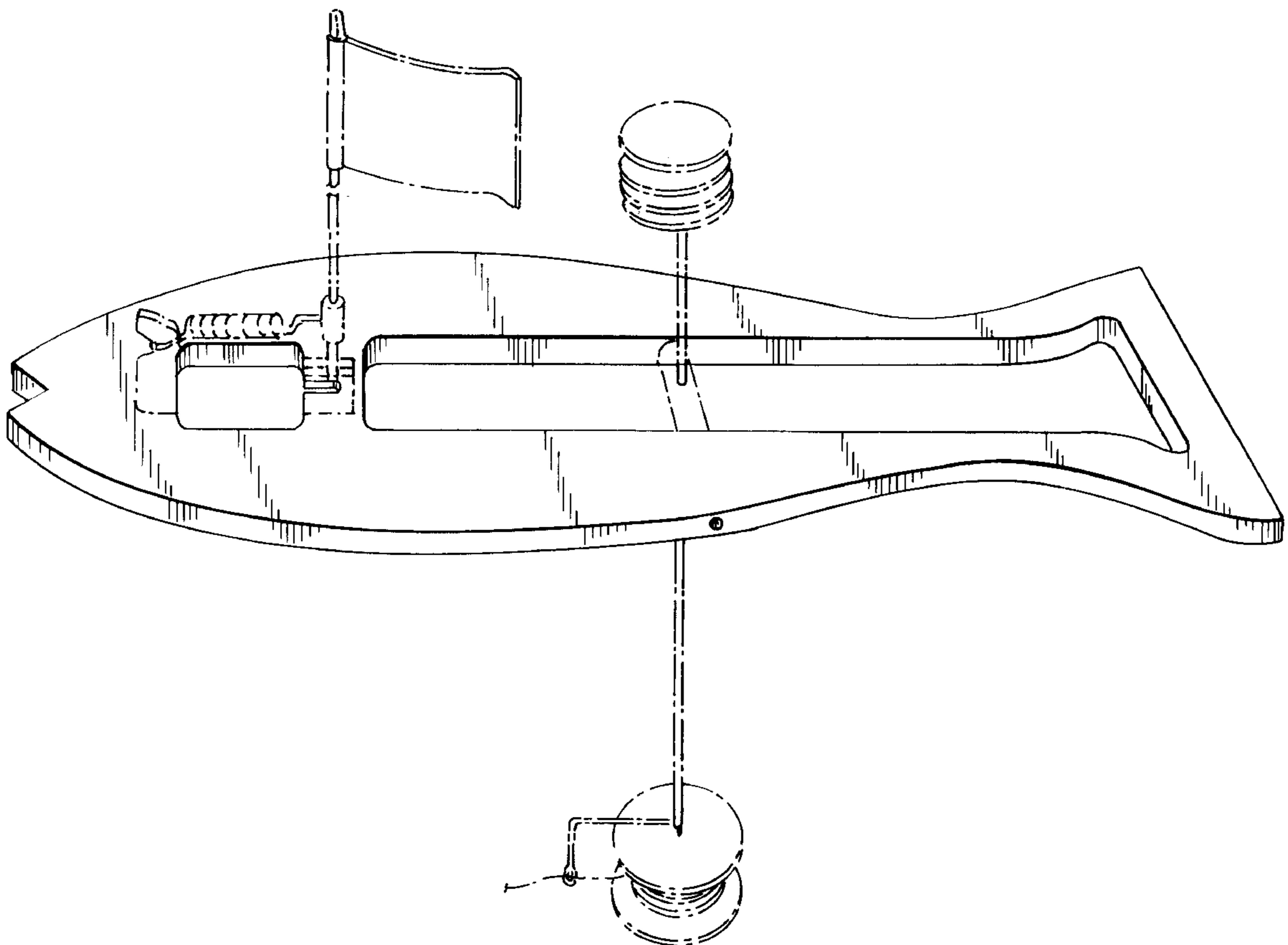
FIG. 4 is a rear elevational view of the base for fishing tip up;

FIG. 5 is a bottom plan view of the base for fishing tip up;

FIG. 6 is a view in section taken along lines 6—6 of FIG. 5; and,

FIG. 7 is a side elevational view of one side thereof, the other side being identical.

**1 Claim, 3 Drawing Sheets**



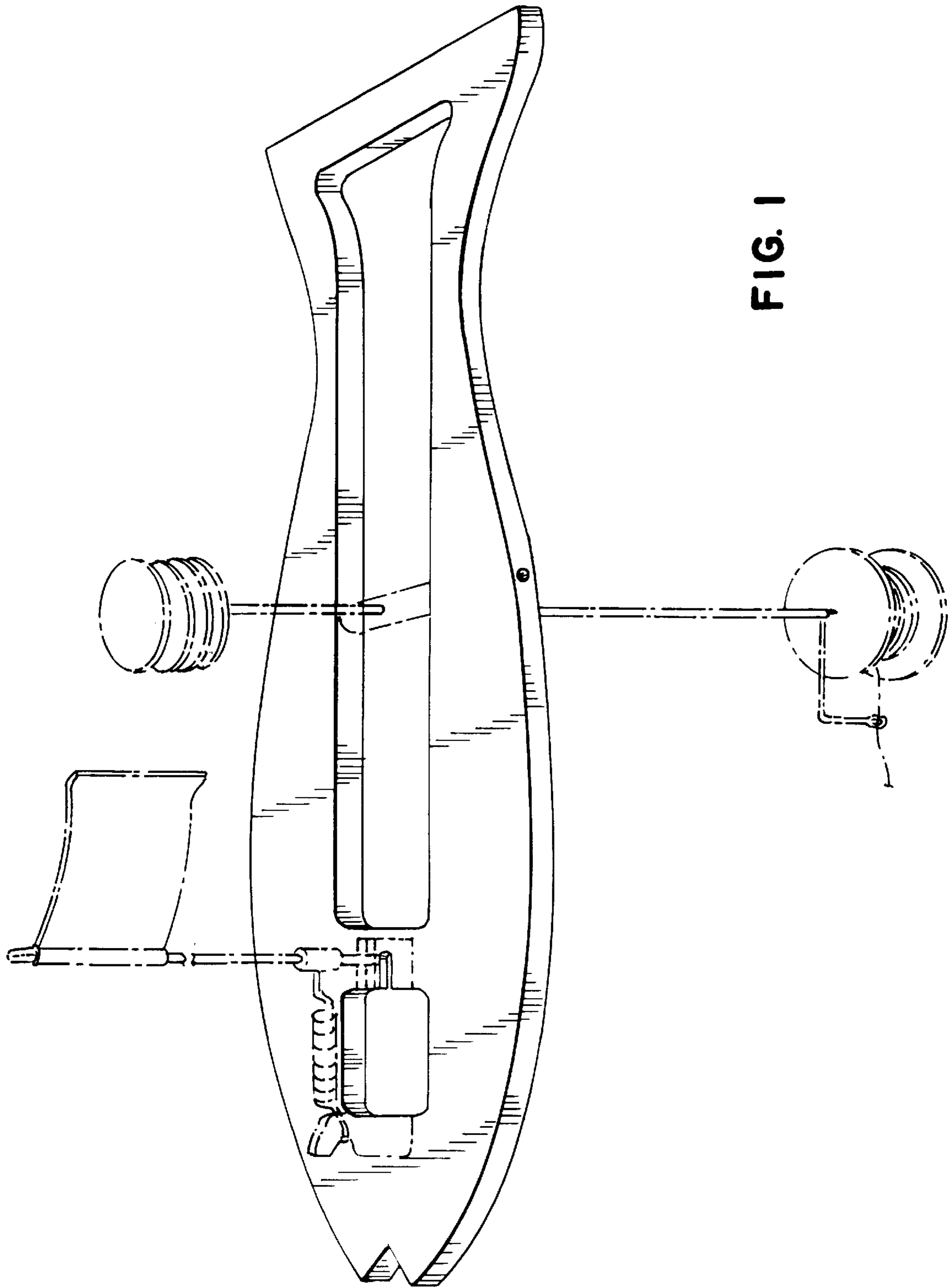


FIG. 1

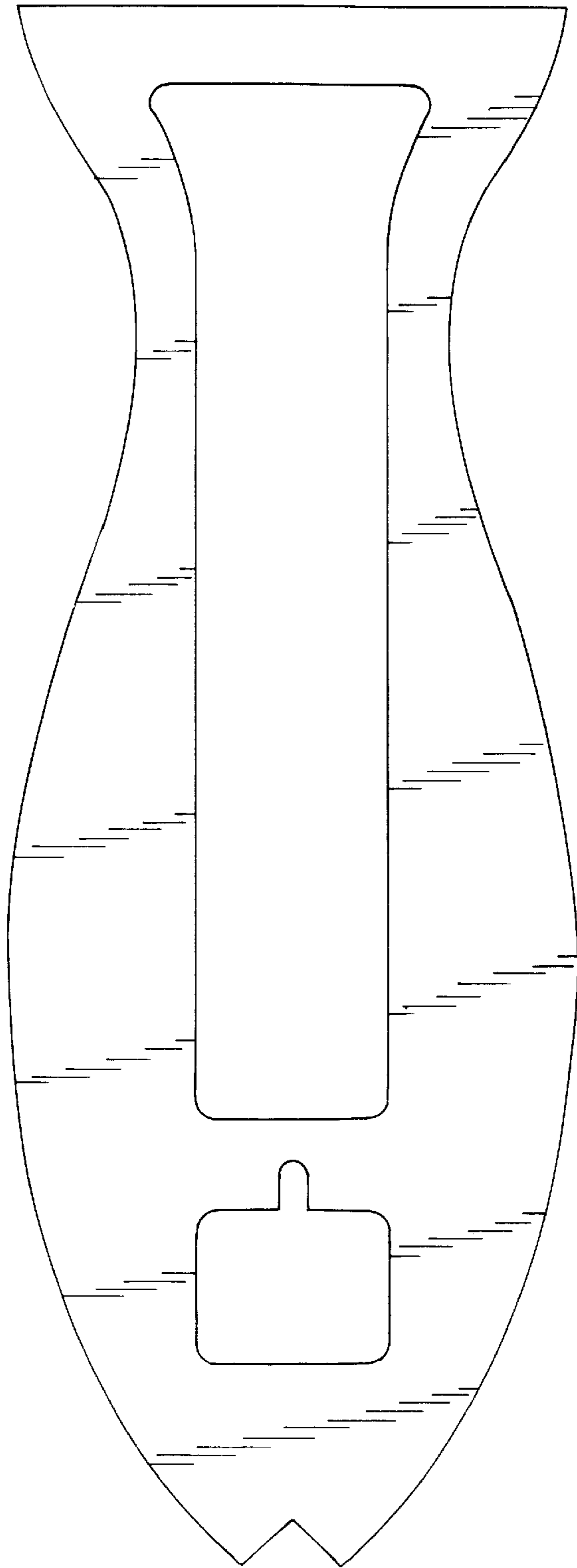


FIG. 2

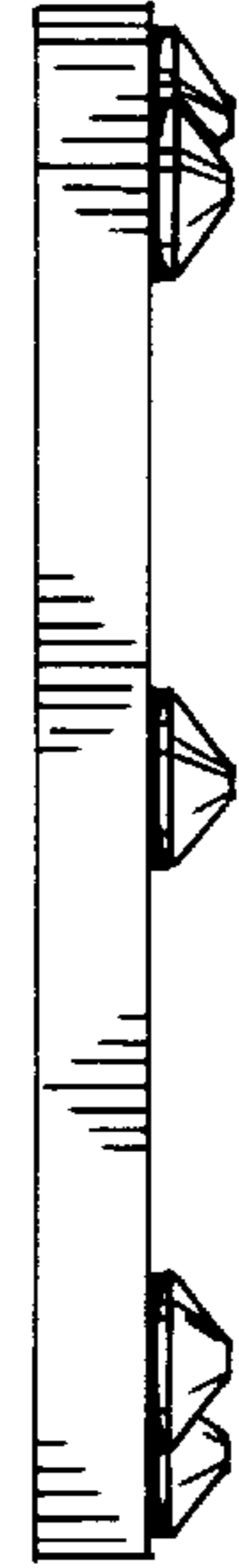


FIG. 4

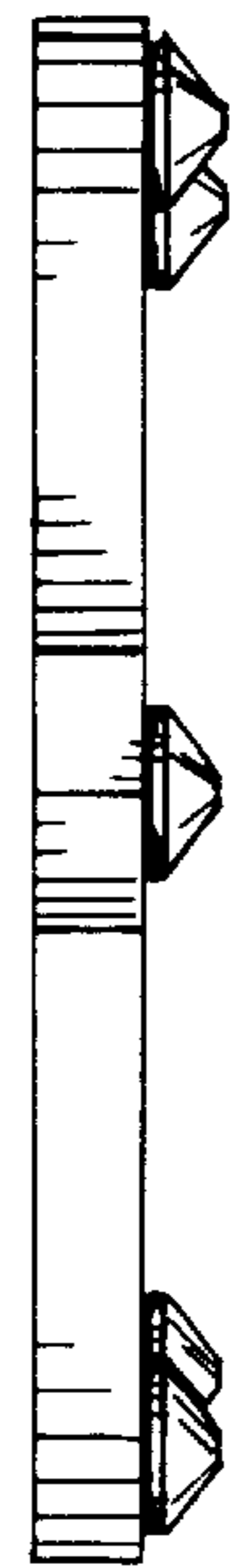


FIG. 3

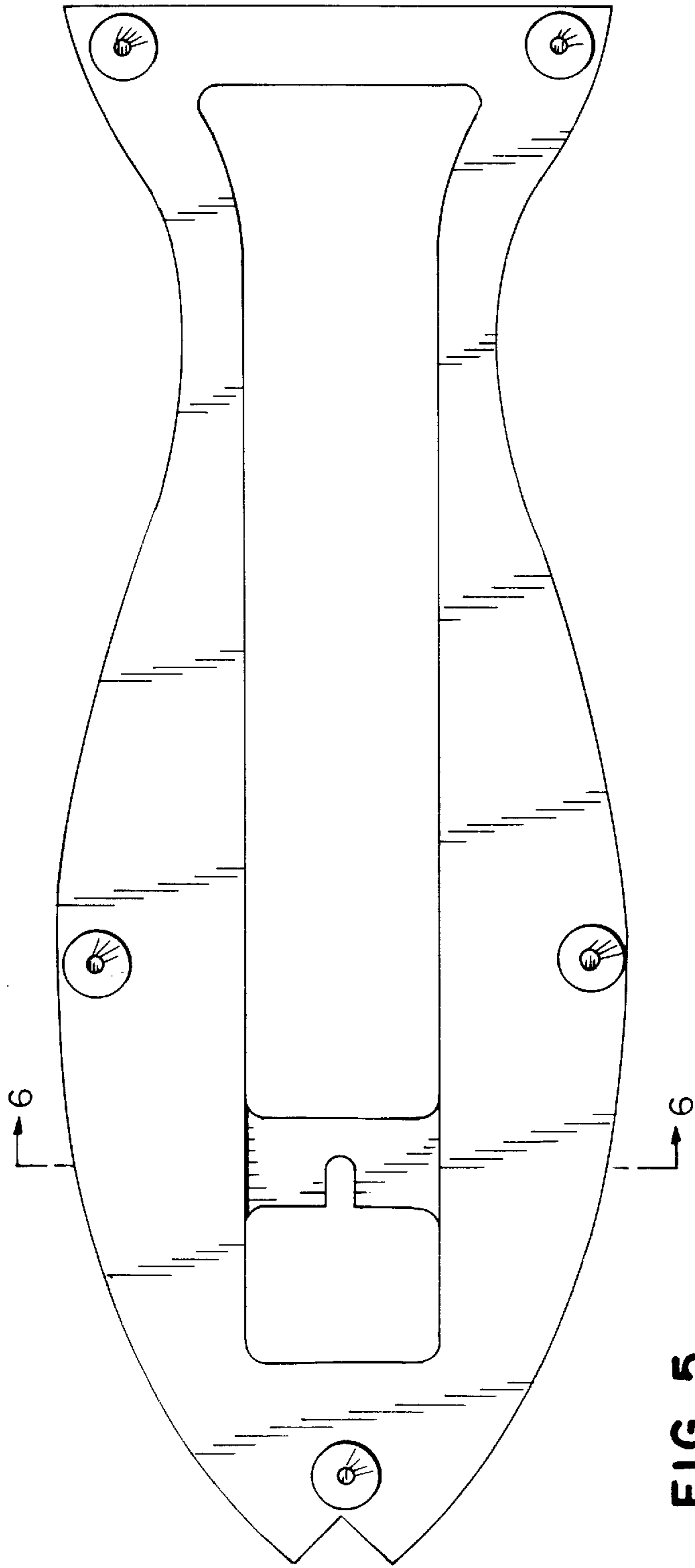


FIG. 5



FIG. 6

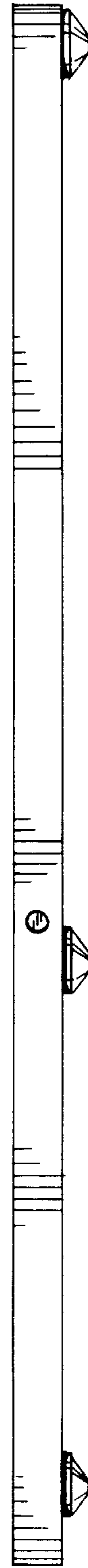


FIG. 7