

US00D408875S

# United States Patent [19] Anderson

[11] **Patent Number: Des. 408,875**

[45] **Date of Patent: \*\*Apr. 27, 1999**

[54] **EXERCISE APPARATUS**

[75] Inventor: **Alan C. Anderson**, Chatsworth, Calif.

[73] Assignee: **Fitness Products International**, Sun Valley, Calif.

[\*\*] Term: **14 Years**

[21] Appl. No.: **29/074,194**

[22] Filed: **Jul. 26, 1997**

### Related U.S. Application Data

[63] Continuation of application No. 29/062,064, Nov. 6, 1996, abandoned.

[51] **LOC (6) Cl.** ..... **21-02**

[52] **U.S. Cl.** ..... **D21/676**

[58] **Field of Search** ..... D21/662, 687, D21/676, 673; 482/140, 142, 130, 96

[56] **References Cited**

#### U.S. PATENT DOCUMENTS

D. 306,051	2/1990	Brentham	.....	D21/195
D. 357,954	5/1995	Lee	.....	D21/195
5,300,005	4/1994	Wang	.....	482/142
5,346,447	9/1994	Stearns	.....	482/142
5,441,473	8/1995	Safari et al.	.....	482/140
5,545,114	8/1996	Gvoich	.....	482/140
5,573,485	11/1996	Geschwender	.....	482/142

#### OTHER PUBLICATIONS

Icarian Fitness Equipment Catalog, 31 pages (including cover and title page), no date, published before mid-1995, see p. 27 of brochure, Nos. 705 and 708.

Body Masters Catalog, 43 pages (including cover and title page), no date, published before May 1995, see p. 10 of brochure No. MD221A; p. 21 of brochure No. B101; and p. 23 of brochure No. E206A.

P. 20 from a Body Masters Catalog, published before May 1995, see No. BE 206A.

Body Masters Brochure, 6 pages, no date, published before May 1995, see Nos. MD 221A and BE206A.

Cybex Brochure. "Bent Leg Abdominal Board." 2 pages, 1989.

Flex Equipment. Inc., Flyer. one page, published before May 1995.

Electromyographic Analysis and Comparison of the Flex Abflexor with Traditional Abdominal Exercises by Eric Sternlight, Ph.D., 4 pages, published before May 1995.

Abworks by Nordic Track, The Ultimate Abdominal Conditioner, box label, four pages, published before Jun. 1996.

Abworks by Nordic Track, Resistance Kit Brochure, two pages, May 1996.

*Primary Examiner*—Philip S. Hyder  
*Attorney, Agent, or Firm*—Knobbe Martens Olson & Bear, LLP

[57] **CLAIM**

The ornamental design for an exercise apparatus, as shown and described.

### DESCRIPTION

FIG. 1 is a top perspective view of an exercise apparatus showing my new design;

FIG. 2 is a side view of the exercise apparatus;

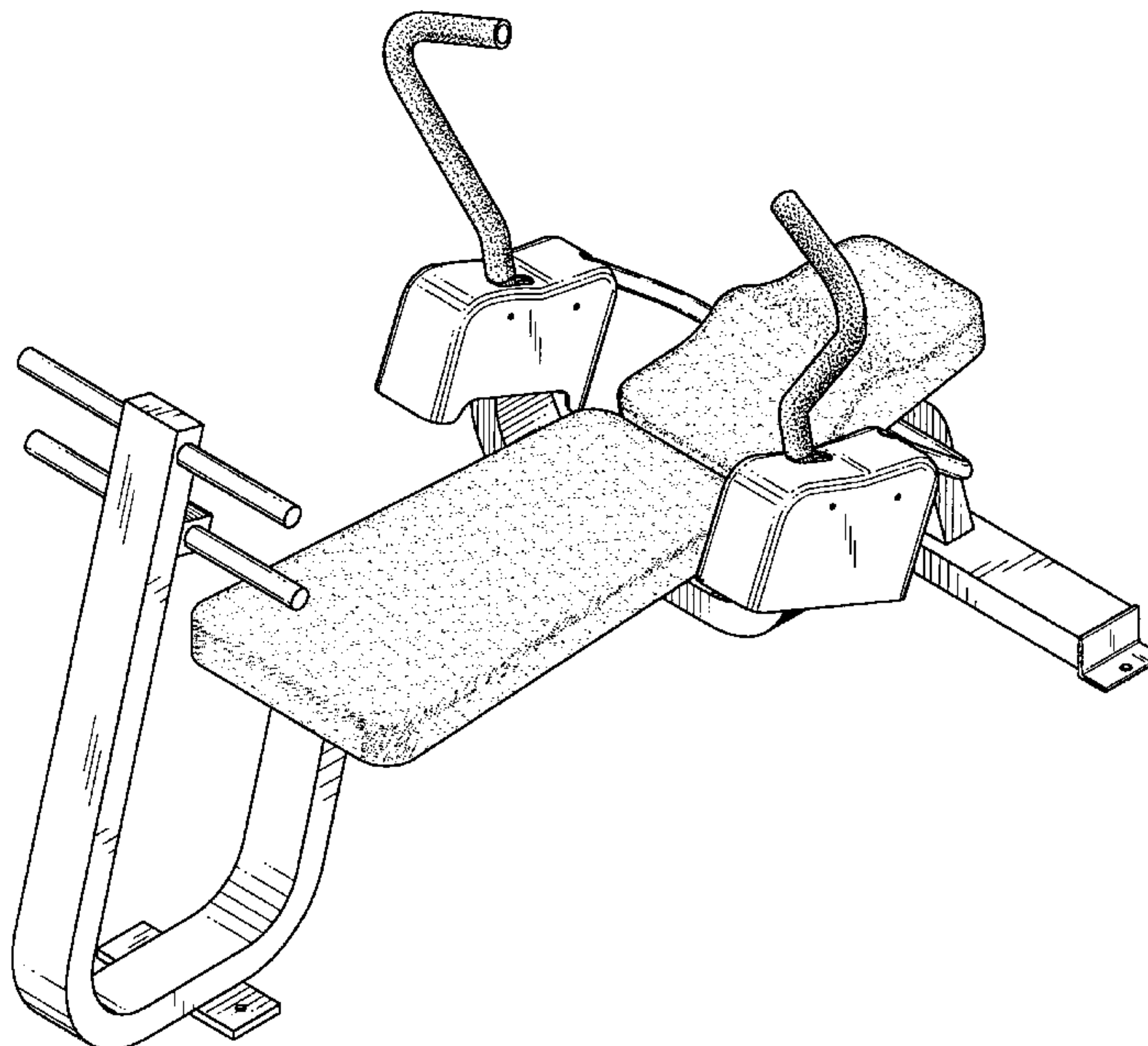
FIG. 3 is a top plan view thereof;

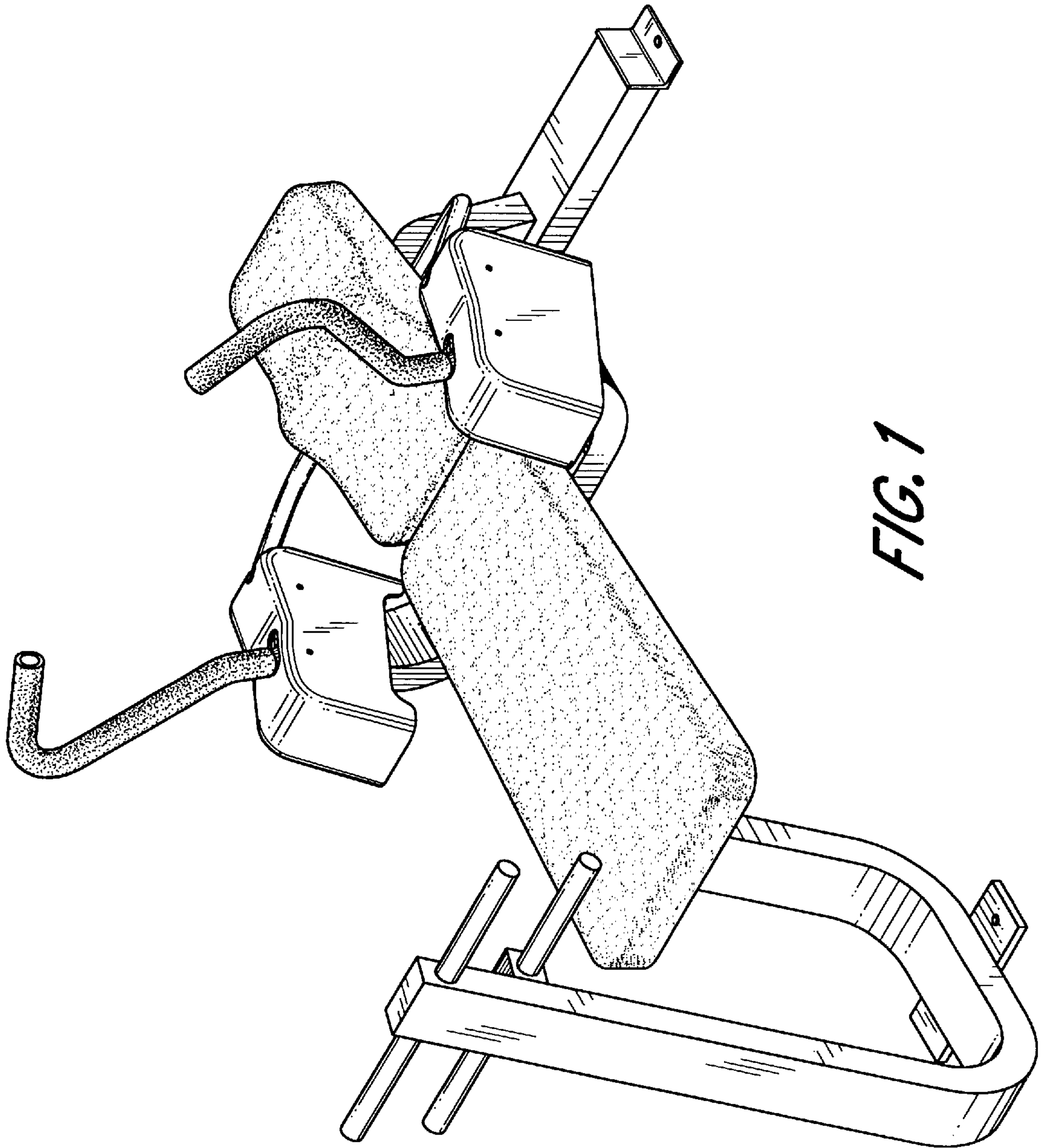
FIG. 4 is a front view thereof;

FIG. 5 is a rear view thereof; and,

FIG. 6 is a bottom view thereof.

**1 Claim, 5 Drawing Sheets**





*FIG. 1*

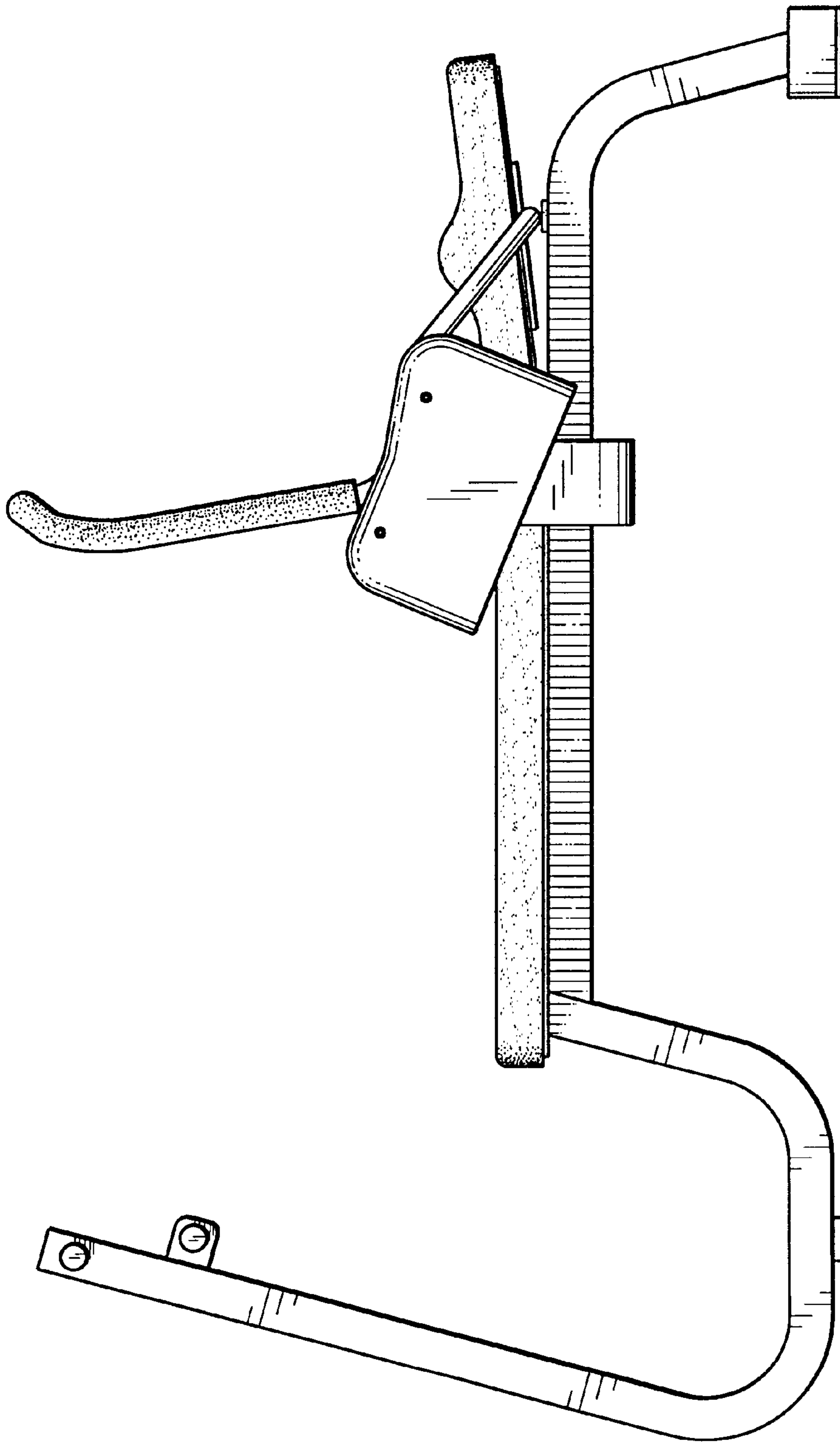


FIG. 2

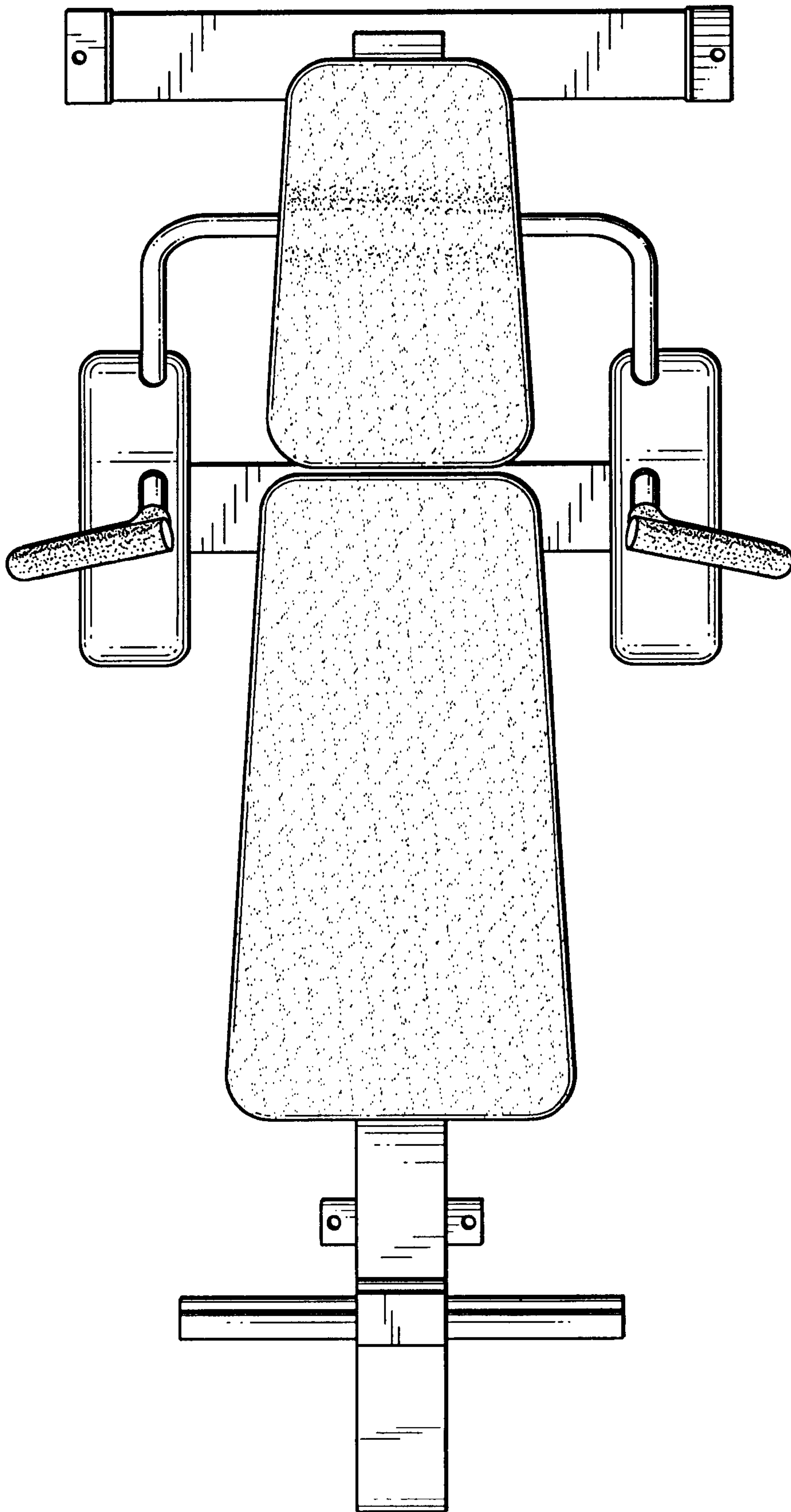
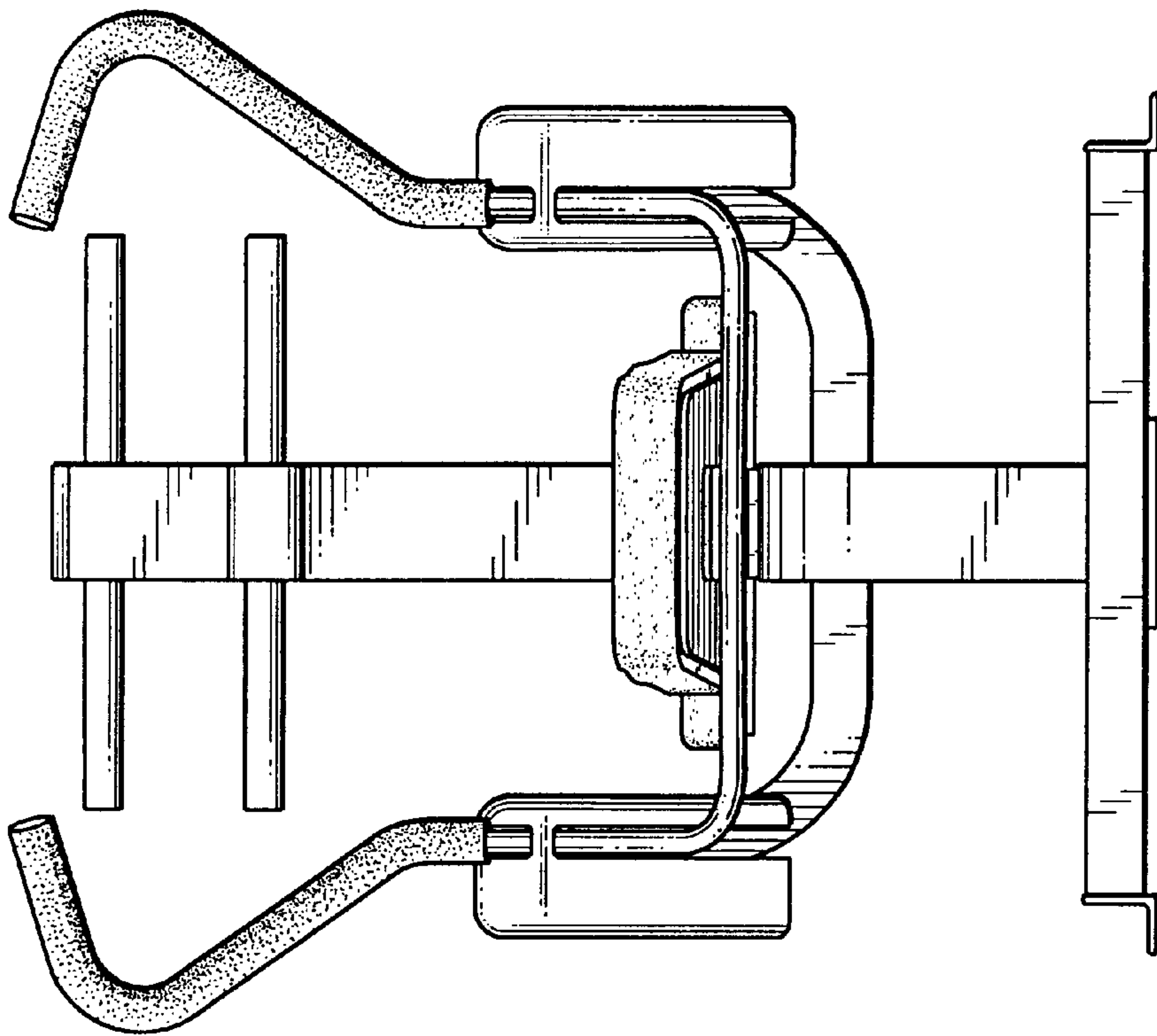
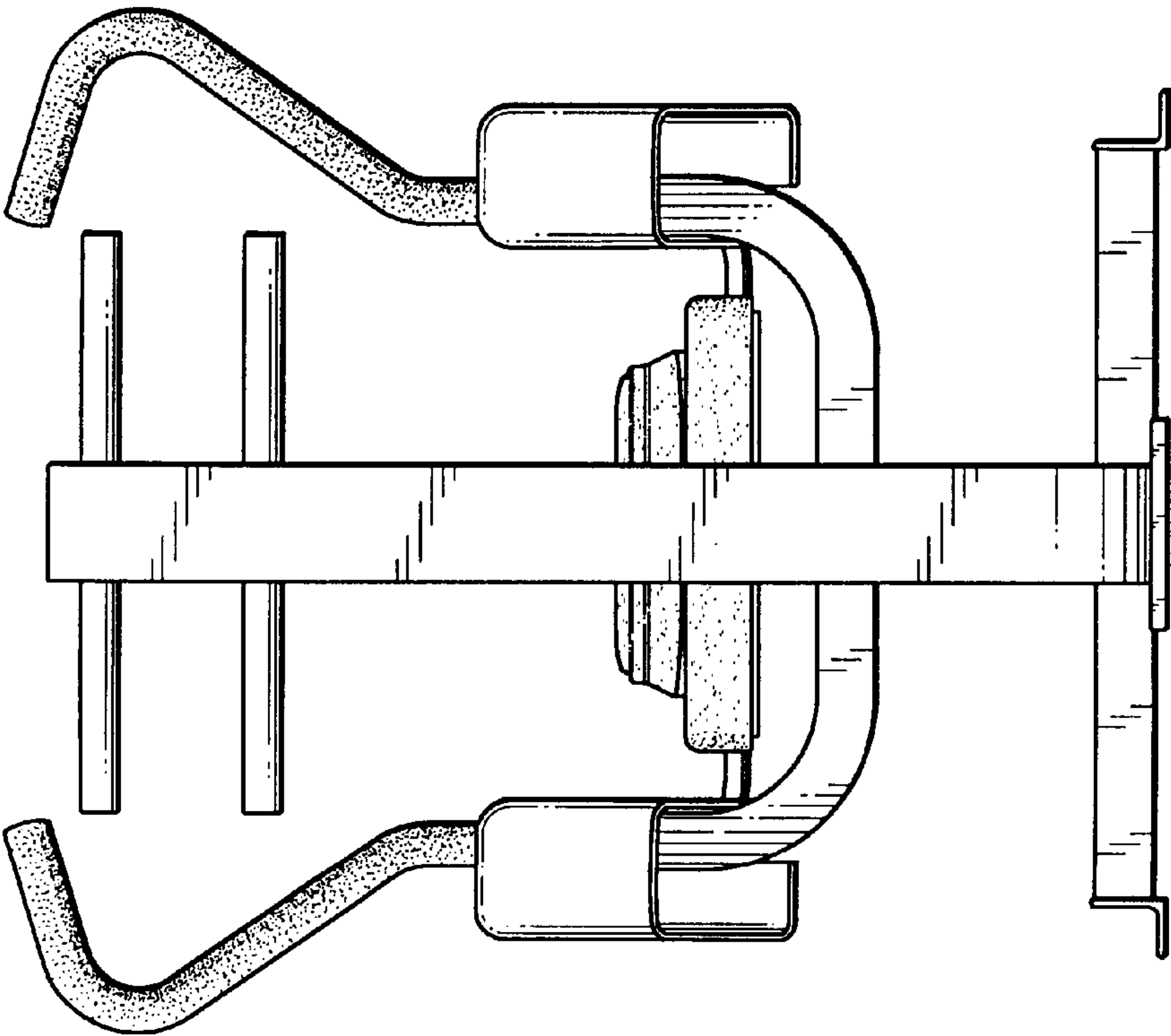


FIG. 3

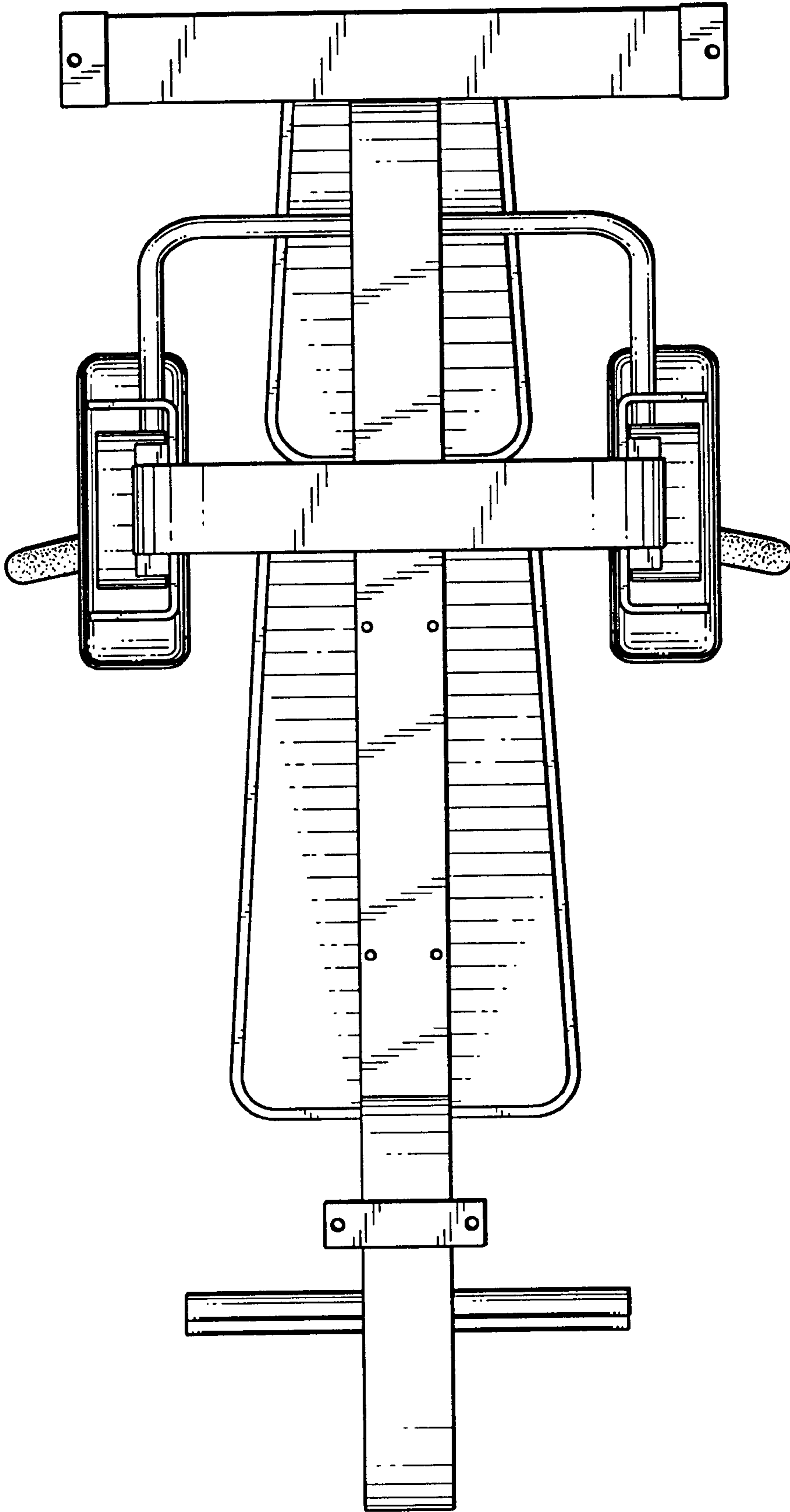




*FIG. 5*



*FIG. 4*



*FIG. 6*