



US00D408874S

# United States Patent [19]

Kuo et al.

[11] Patent Number: **Des. 408,874**

[45] Date of Patent: **\*\*Apr. 27, 1999**

[54] **EXERCISE DEVICE FOR WAIST TWISTING AND WALKING**

[76] Inventors: **Johnson Kuo**, 11F1-1, No. 342, Keelung Rd., Sec. 1, Taipei; **Chin-Lien Huang**, 2F, No. 14, Ning Hsia E. 5 St., Taichung, both of Taiwan

[\*\*] Term: **14 Years**

[21] Appl. No.: **29/086,373**

[22] Filed: **Apr. 10, 1998**

[51] **LOC (6) Cl.** ..... **21-02**

[52] **U.S. Cl.** ..... **D21/670; D21/665; D21/668**

[58] **Field of Search** ..... **D21/662, 663, D21/665, 668, 669, 670; 482/51, 52, 53, 70, 79, 80**

[56] **References Cited**

**U.S. PATENT DOCUMENTS**

D. 344,993 3/1994 Laratta ..... D21/676

D. 358,182	5/1995	Yang .....	D21/670
5,527,253	6/1996	Wilkinson et al. ....	482/52
5,575,739	11/1996	Piaget et al. ....	482/51
5,749,809	5/1998	Lin .....	482/52
5,769,760	6/1998	Lin et al. ....	482/57

*Primary Examiner*—Philip S. Hyder  
*Attorney, Agent, or Firm*—Browdy and Neimark

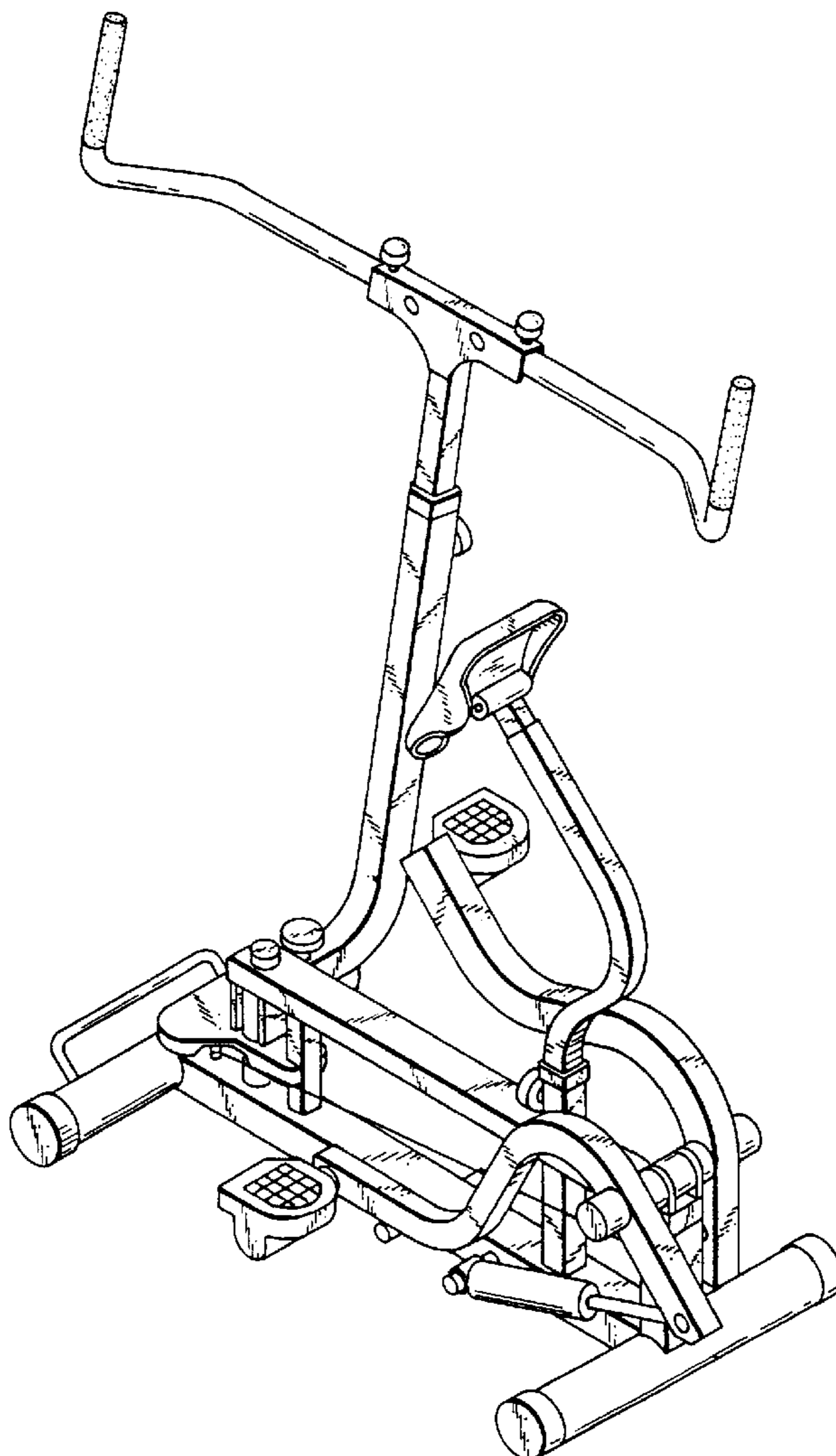
[57] **CLAIM**

The ornamental design for an exercise device for waist twisting and walking, as shown and described.

**DESCRIPTION**

FIG. 1 shows a perspective view of the present design; FIG. 2 shows a front elevational view of the present design; FIG. 3 shows a rear elevational view of the present design; FIG. 4 shows a left elevational view of the present design; FIG. 5 shows a right elevational view of the present design; FIG. 6 shows a top plan view of the present design; and, FIG. 7 shows a bottom plan view of the present design.

**1 Claim, 3 Drawing Sheets**



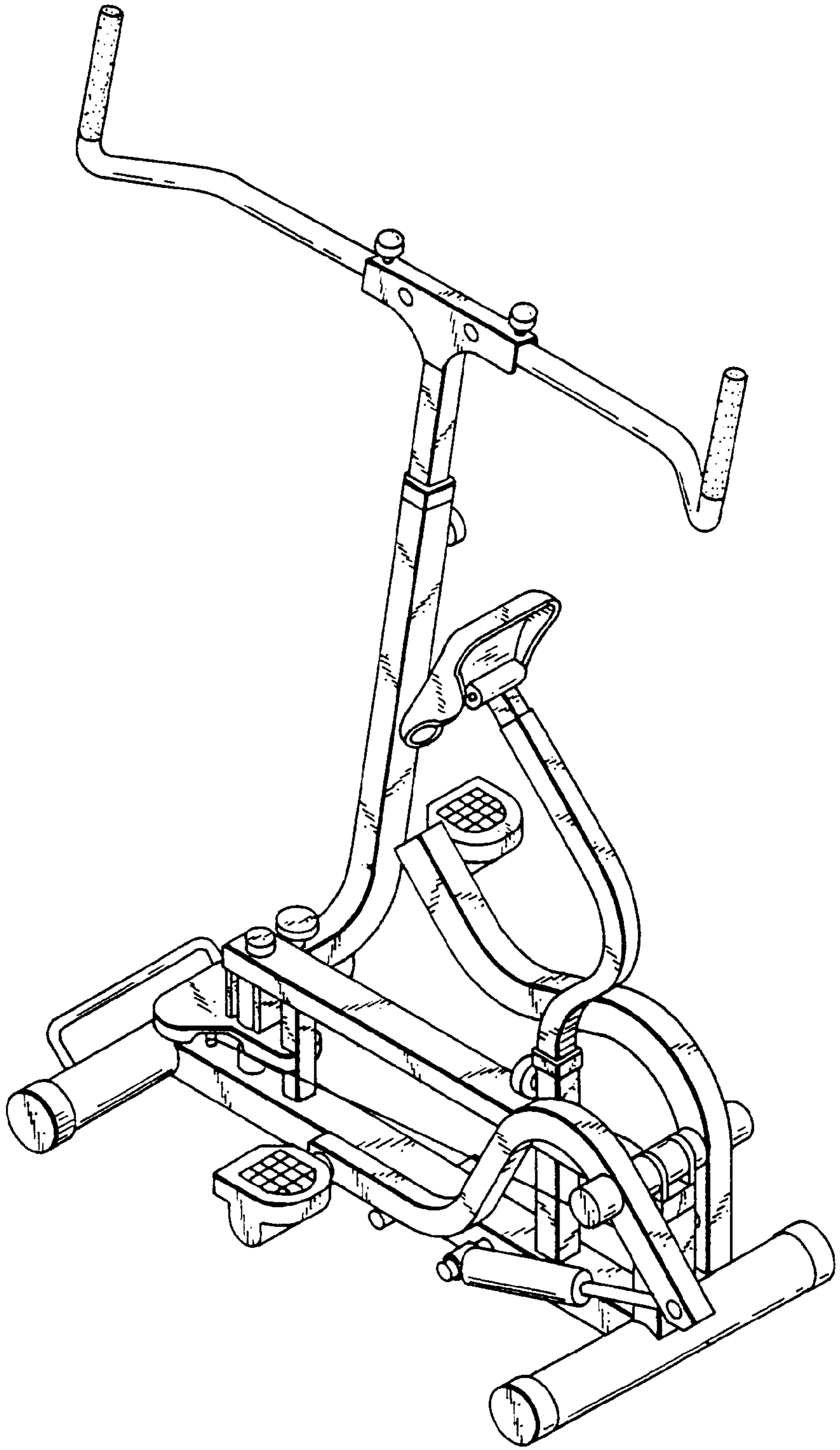


FIG. 1

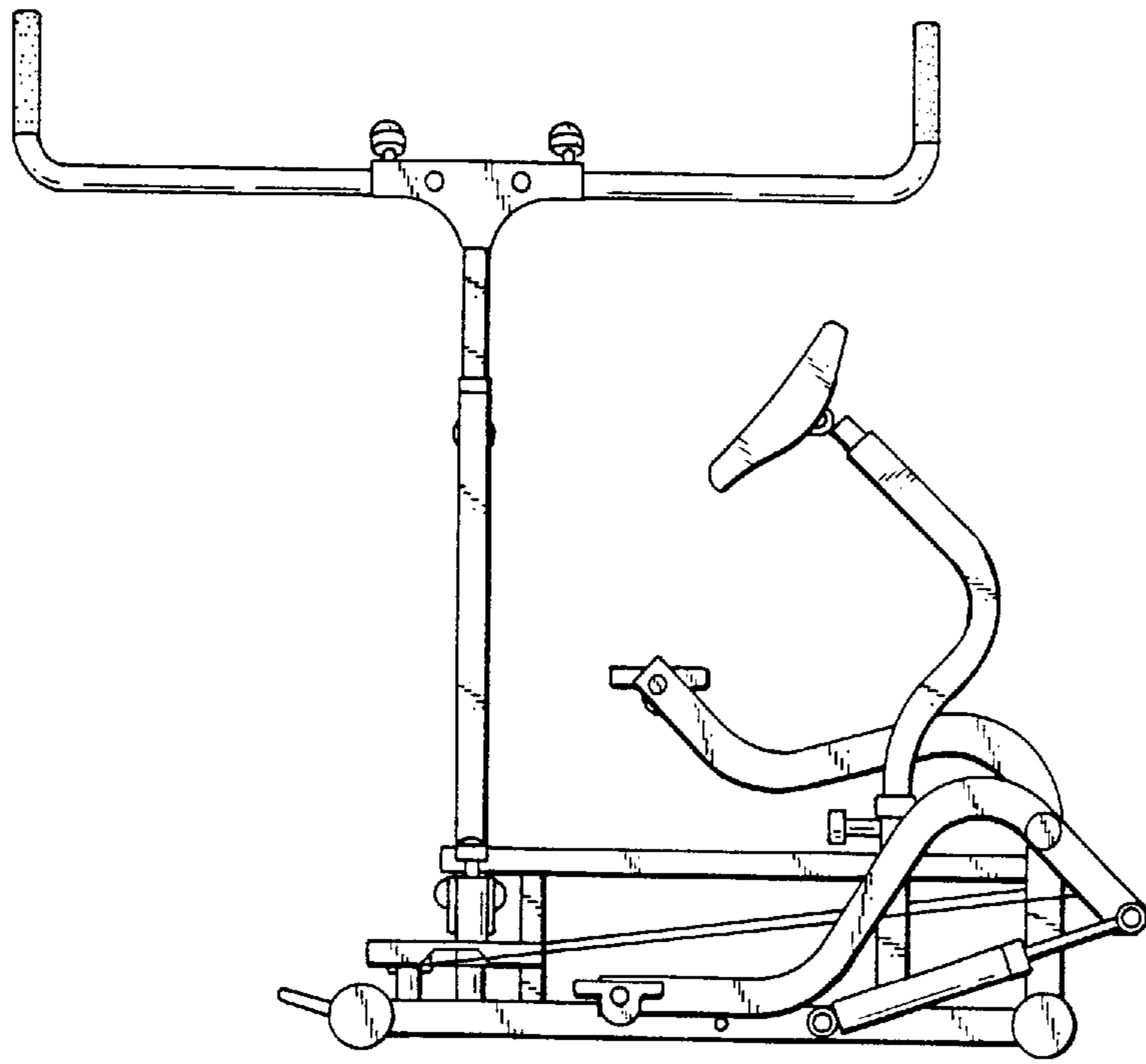


FIG. 2

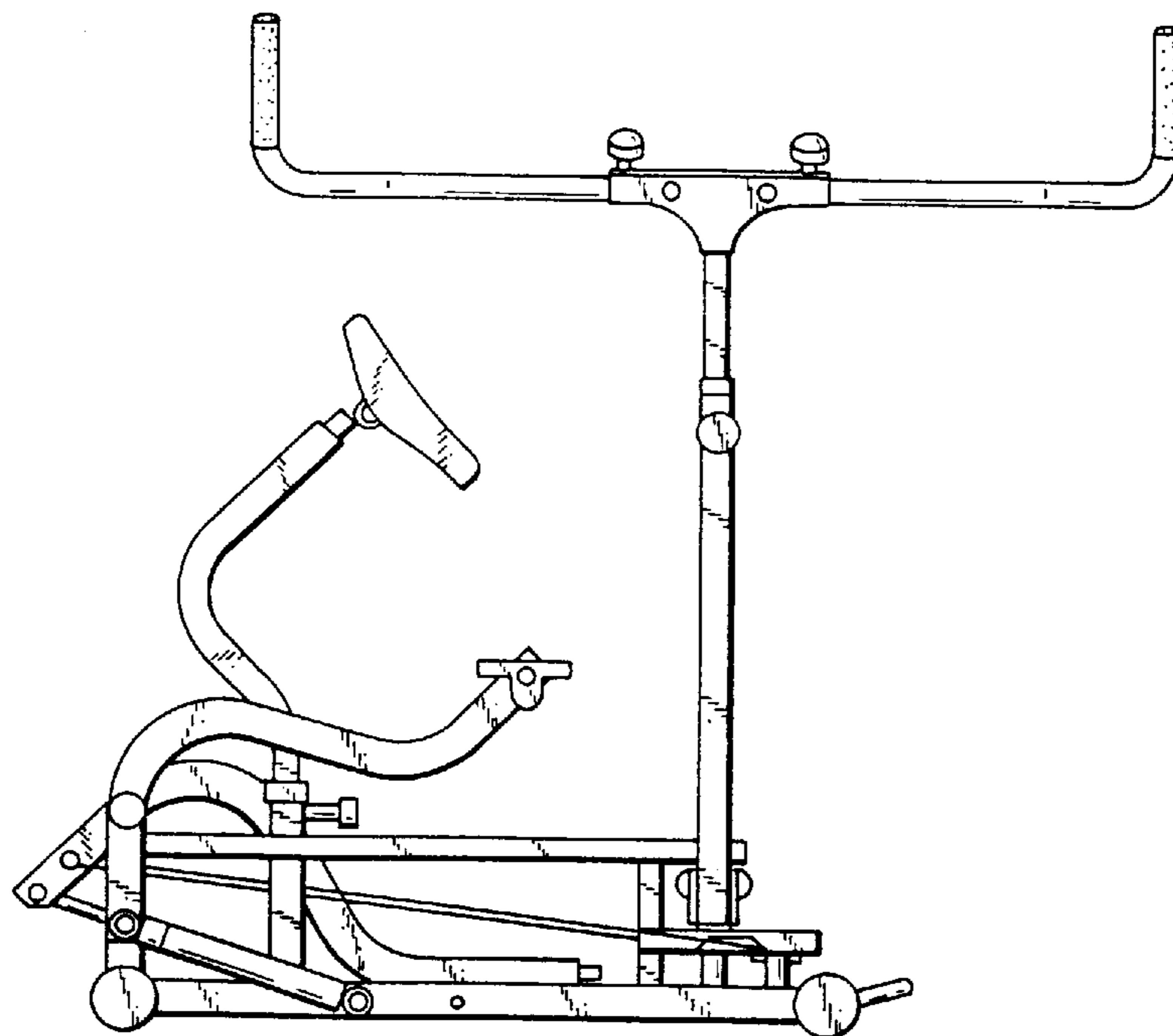


FIG. 3

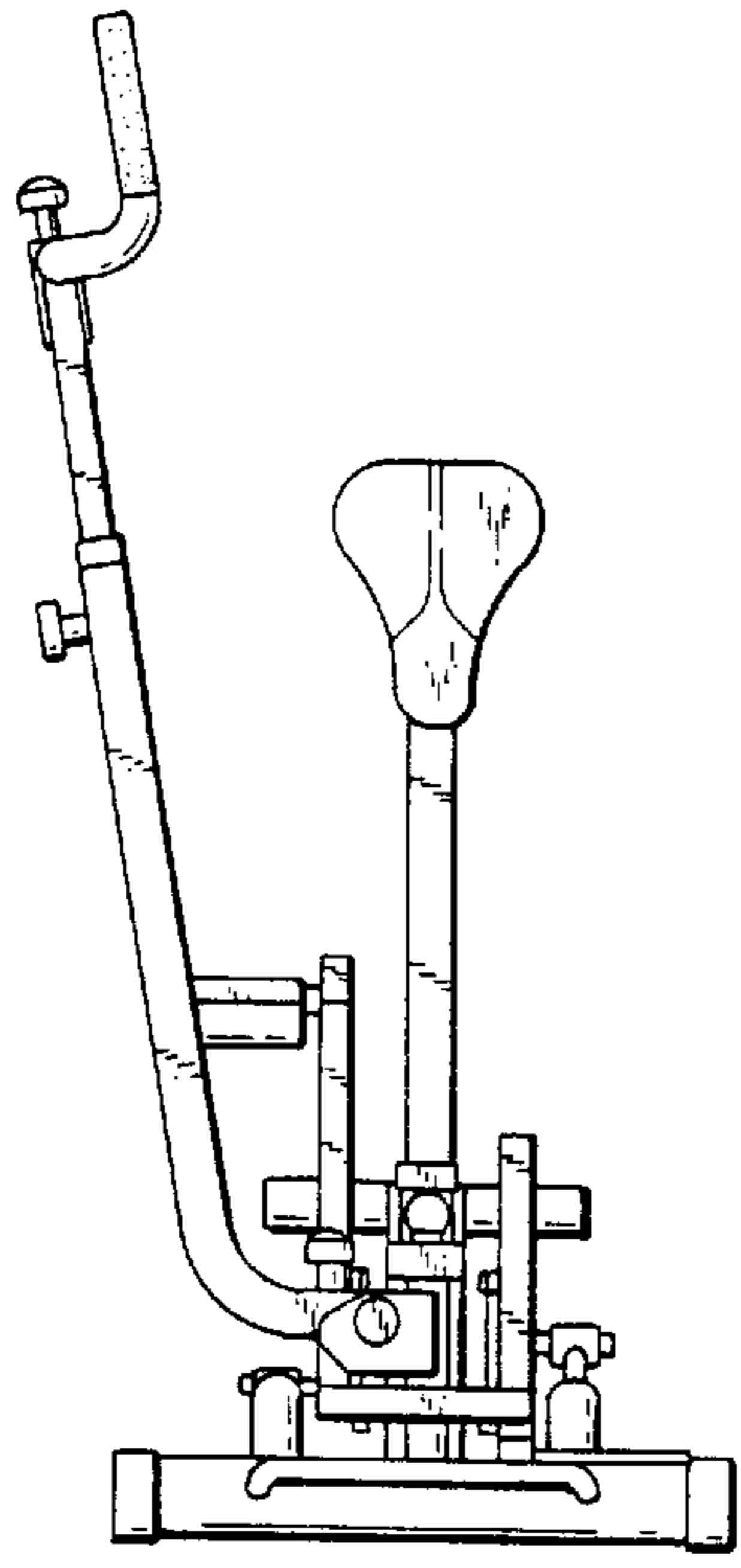


FIG. 4

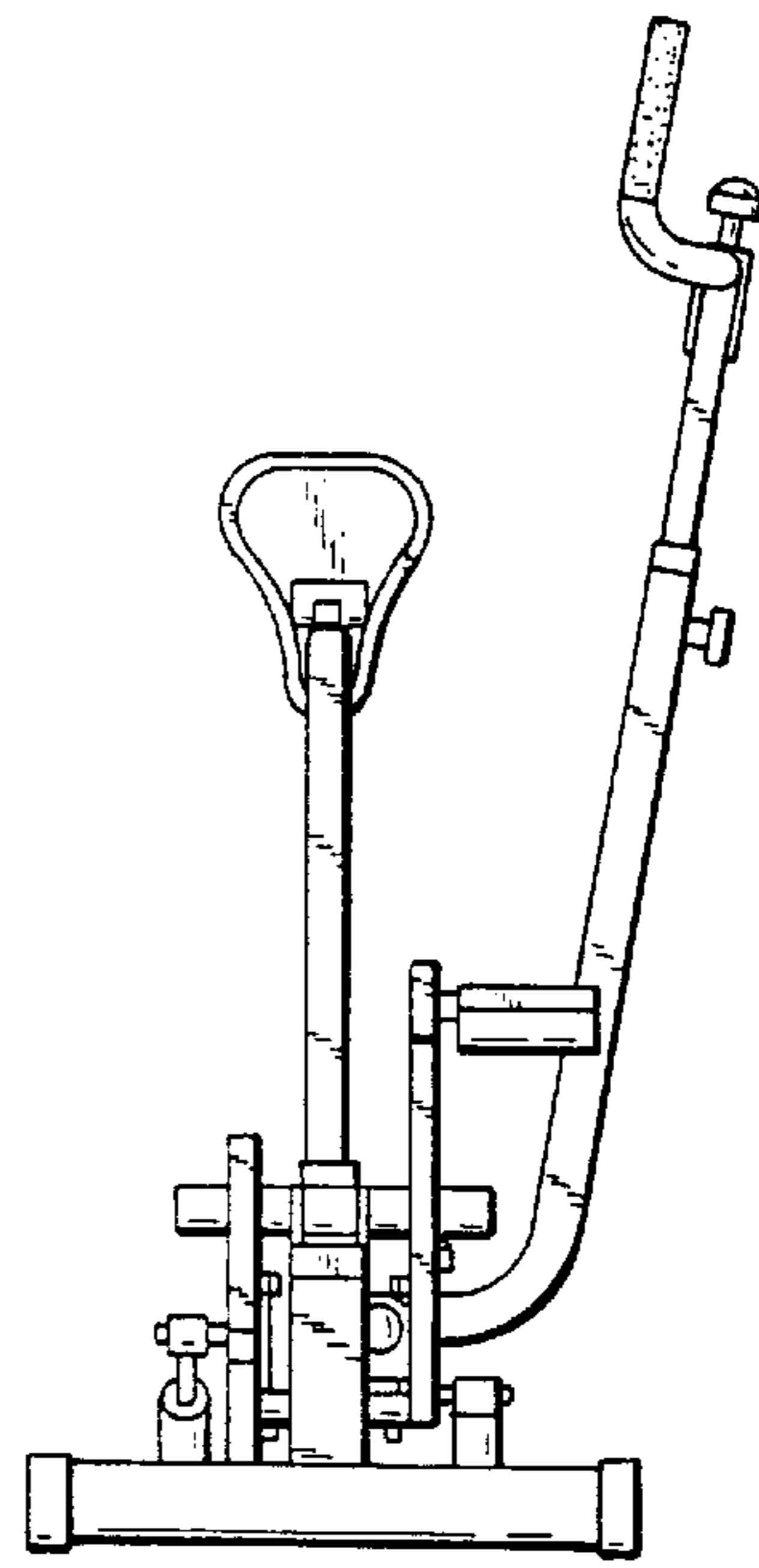


FIG. 5

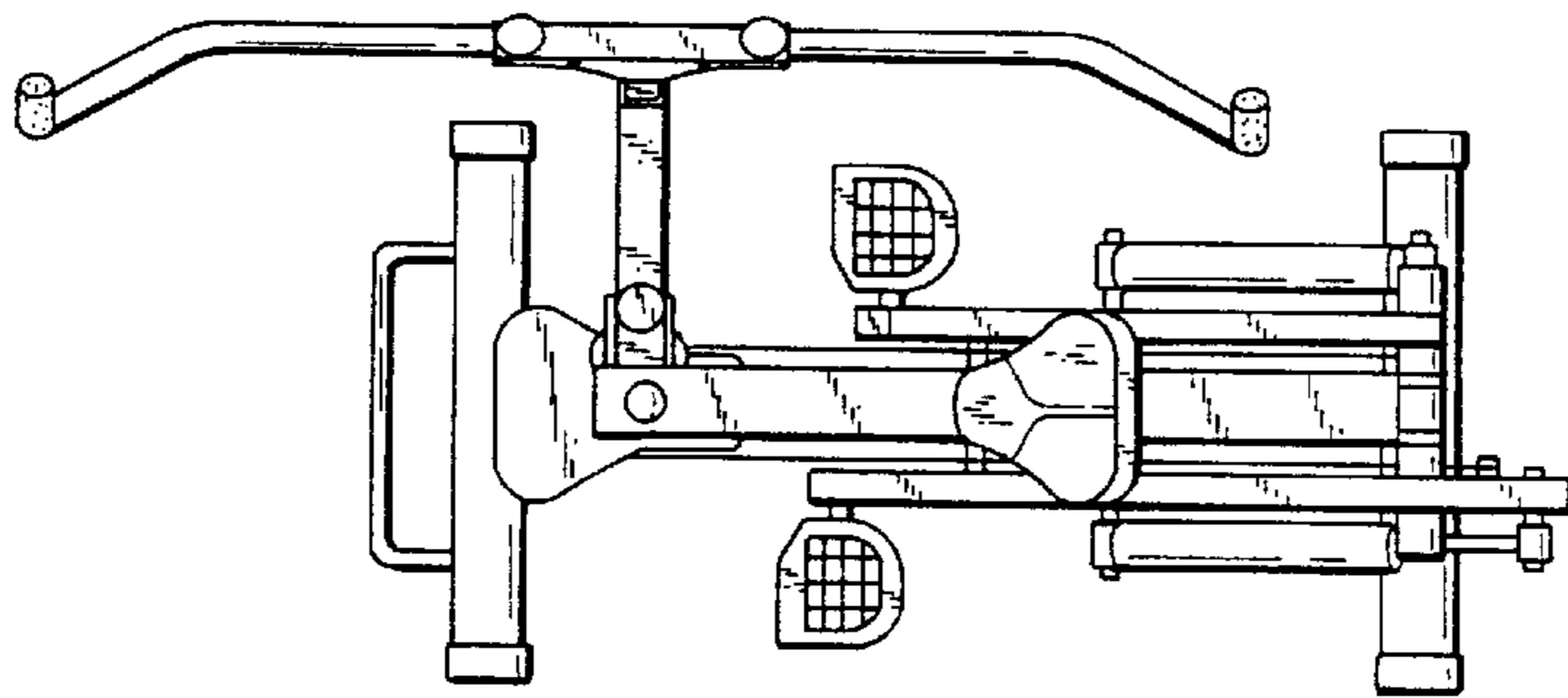


FIG. 6

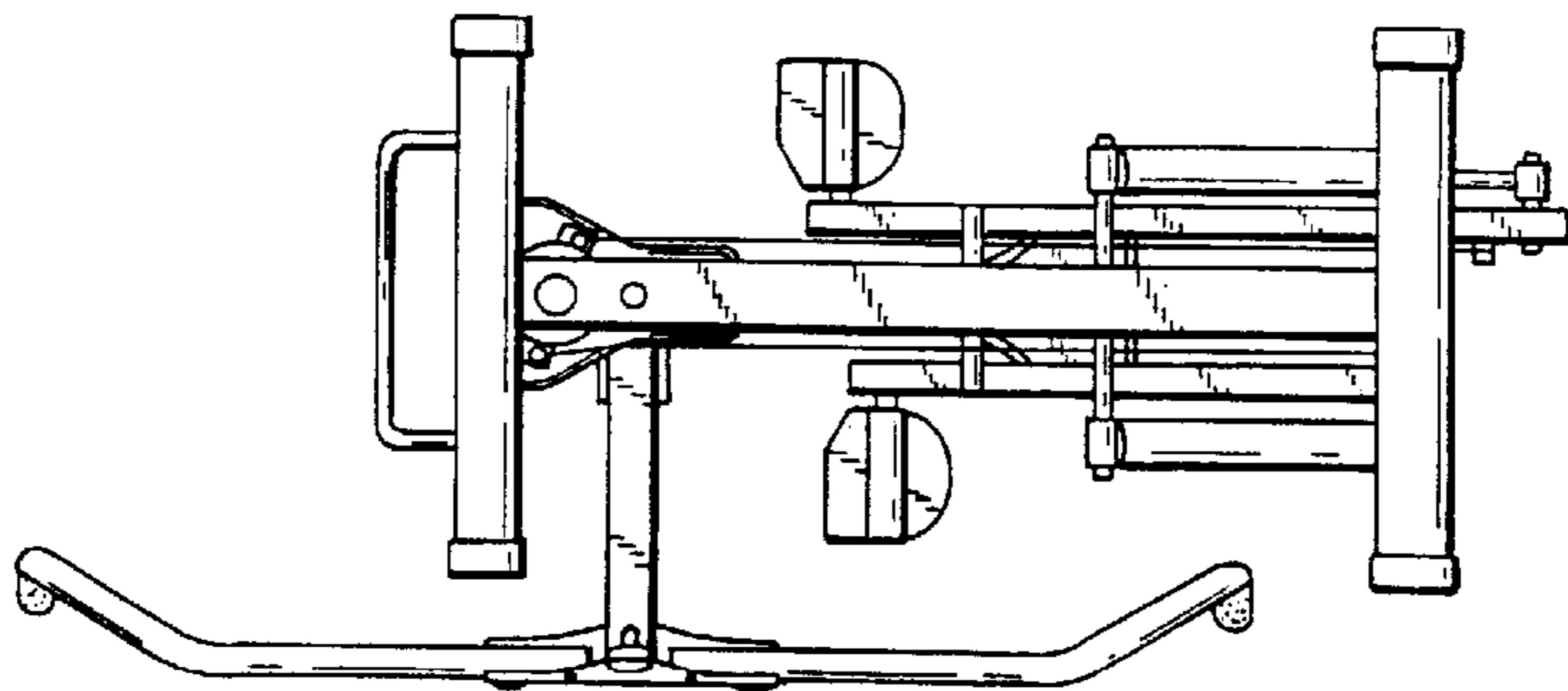


FIG. 7