

US00D408866S

# United States Patent [19] Fai

[11] Patent Number: **Des. 408,866**

[45] Date of Patent: **\*\* Apr. 27, 1999**

[54] **HAND-HELD ELECTRONIC GAME**

[75] Inventor: **Au Yeung Siu Fai**, Kowloon, The Hong Kong Special Administrative Region of the People's Republic of China

[73] Assignee: **Watercore, Ltd.**, The Hong Kong Special Administrative Region of the People's Republic of China

[\*\*] Term: **14 Years**

[21] Appl. No.: **29/085,703**

[22] Filed: **Mar. 27, 1998**

[30] **Foreign Application Priority Data**

Feb. 3, 1998 [HK] The Hong Kong Special Administrative Region of the People's Republic of China ..... 98-10137

[51] **LOC (6) Cl.** ..... **21-01**

[52] **U.S. Cl.** ..... **D21/329**

[58] **Field of Search** ..... D21/324, 329, D21/330; D14/124, 125; 273/148 B; 463/1, 29-35, 46, 37, 38

[56] **References Cited**

### U.S. PATENT DOCUMENTS

D. 264,356 5/1982 Nagel ..... D21/329

D. 342,289 12/1993 Hara ..... D21/329  
D. 369,387 4/1996 Stambolic et al. .... D21/329  
D. 371,165 6/1996 Stambolic et al. .... D21/329  
4,969,647 11/1990 Mical et al. .... 463/31  
5,542,672 8/1996 Meredith ..... 463/37  
5,685,776 11/1997 Stambolic et al. .... 463/46  
5,730,655 3/1998 Meredith ..... 463/37

### OTHER PUBLICATIONS

Playthings, p. 22, Apr. 1981.

*Primary Examiner*—Prabhakar G. Deshmukh  
*Attorney, Agent, or Firm*—Jeffer, Mangels, Butler & Marmaro LLP

[57] **CLAIM**

The ornamental design for a hand-held electronic game, as shown.

### DESCRIPTION

FIG. 1 is a right perspective view of the hand-held electronic game.

FIG. 2 is a top view of the embodiment of FIG. 1.

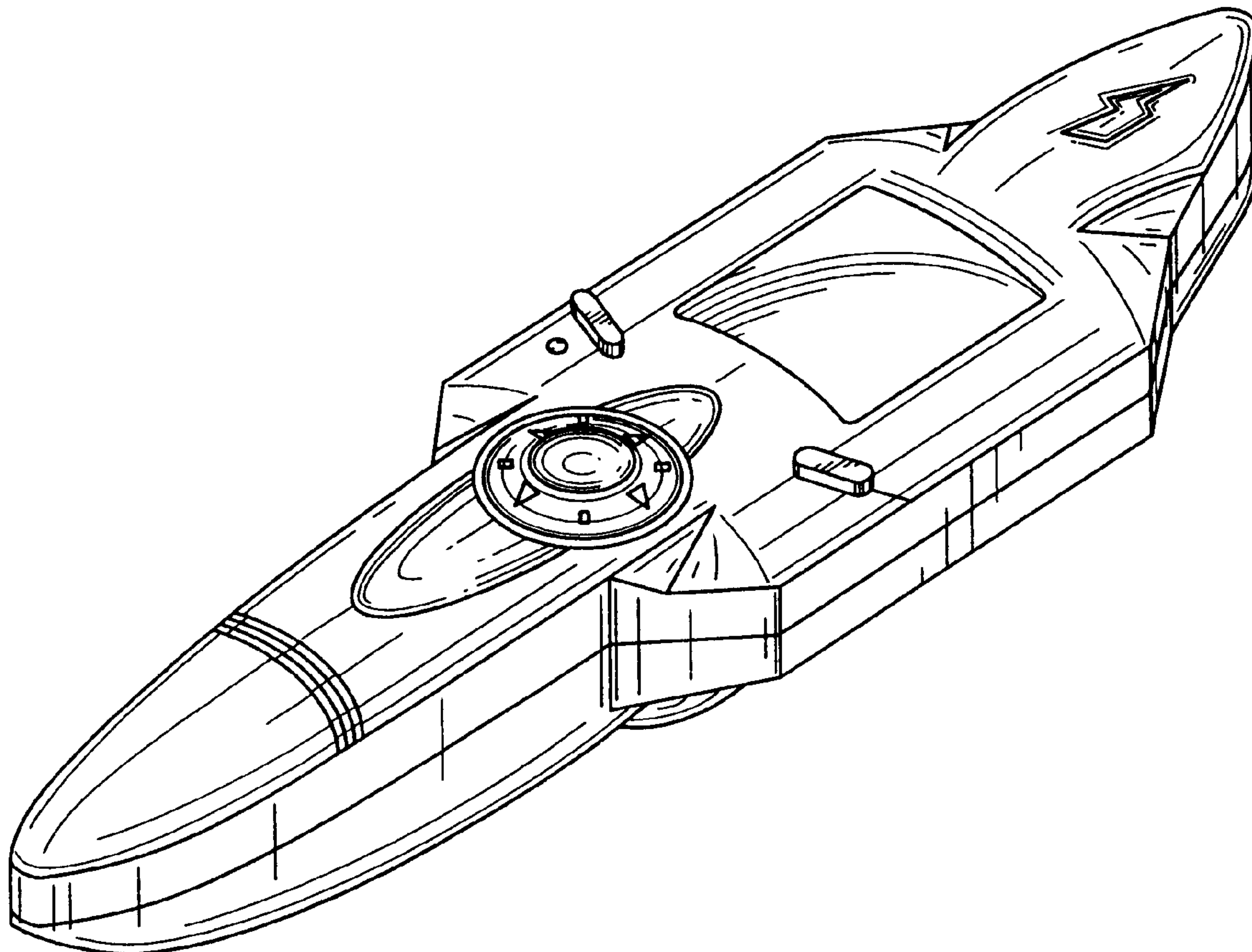
FIG. 3 is a bottom view of the embodiment of FIG. 1.

FIG. 4 is a right side view of the embodiment of FIG. 1.

FIG. 5 is a left side right end view of the embodiment of FIG. 1.

FIG. 6 is a front end view of the embodiment of FIG. 1; and, FIG. 7 is a rear end view of an embodiment of FIG. 1.

**1 Claim, 3 Drawing Sheets**



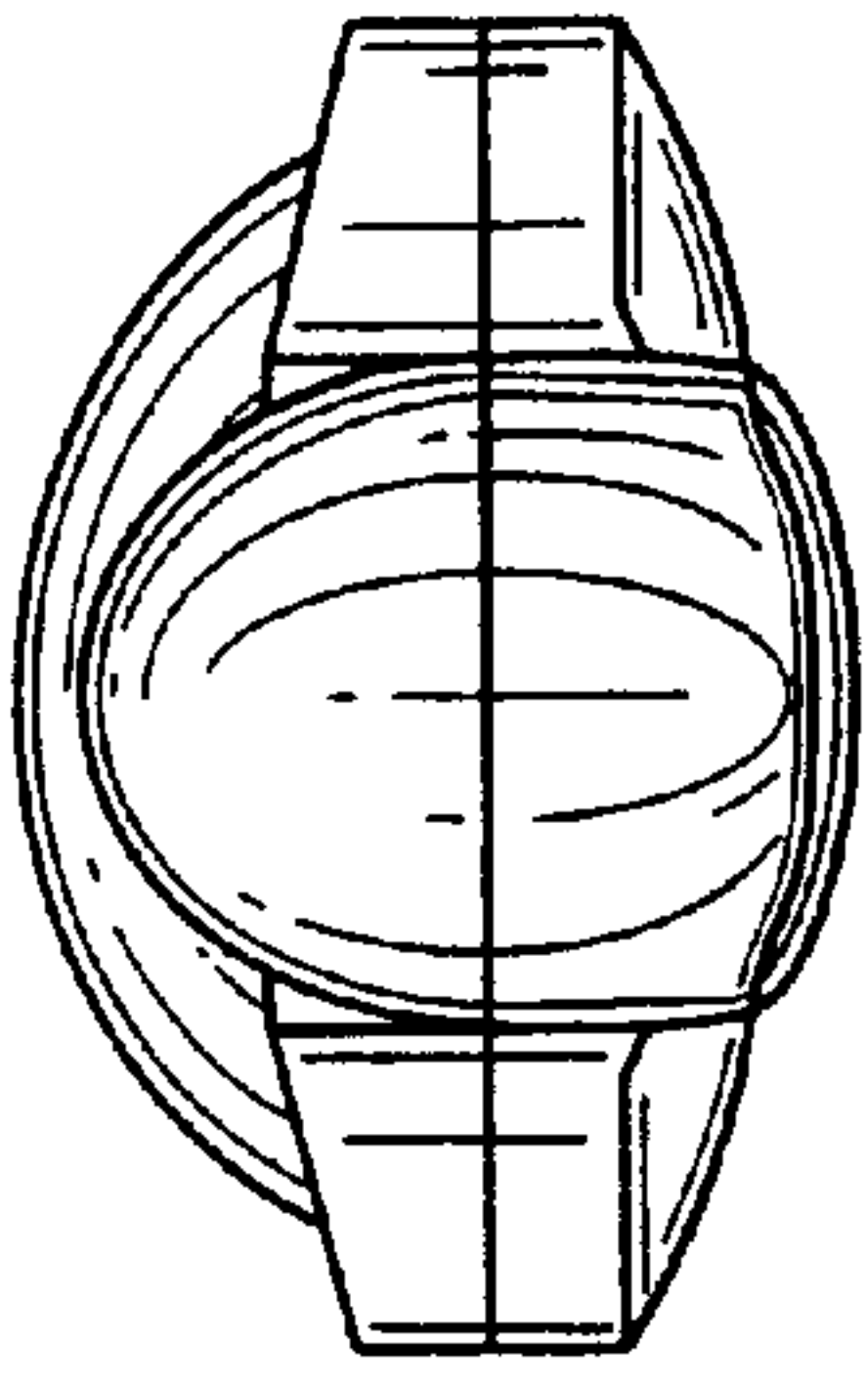


FIG. 6

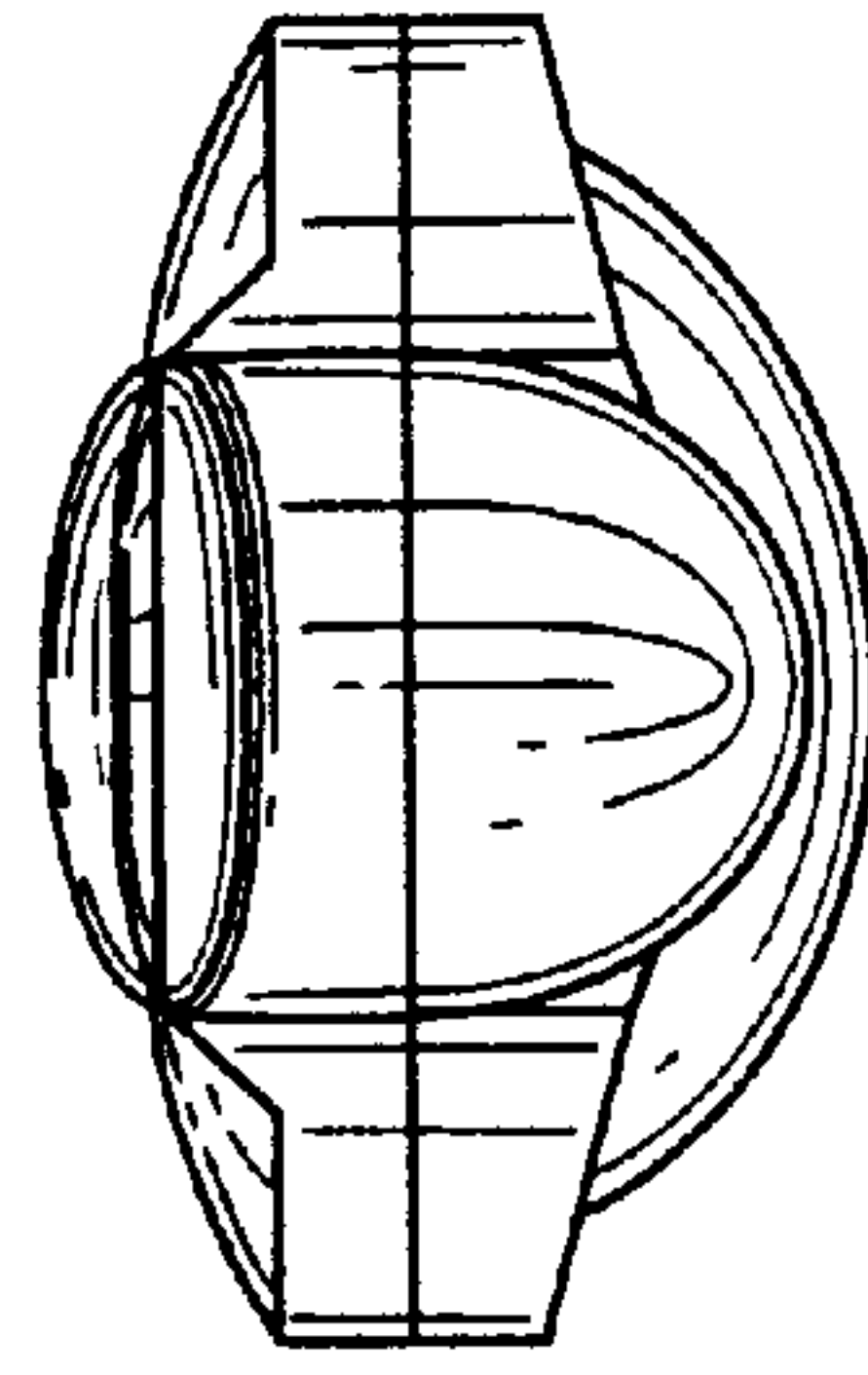


FIG. 7

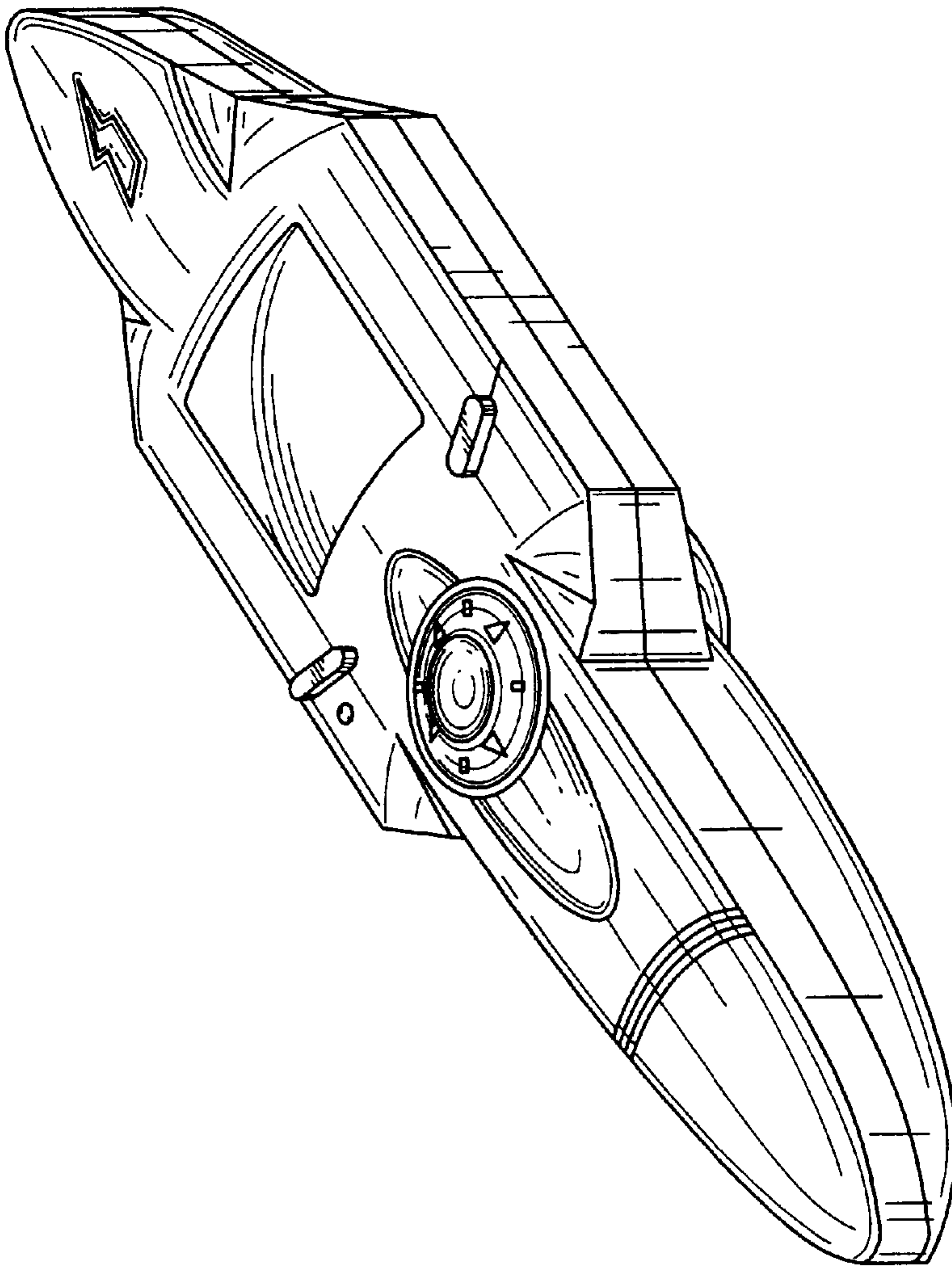


FIG. 1

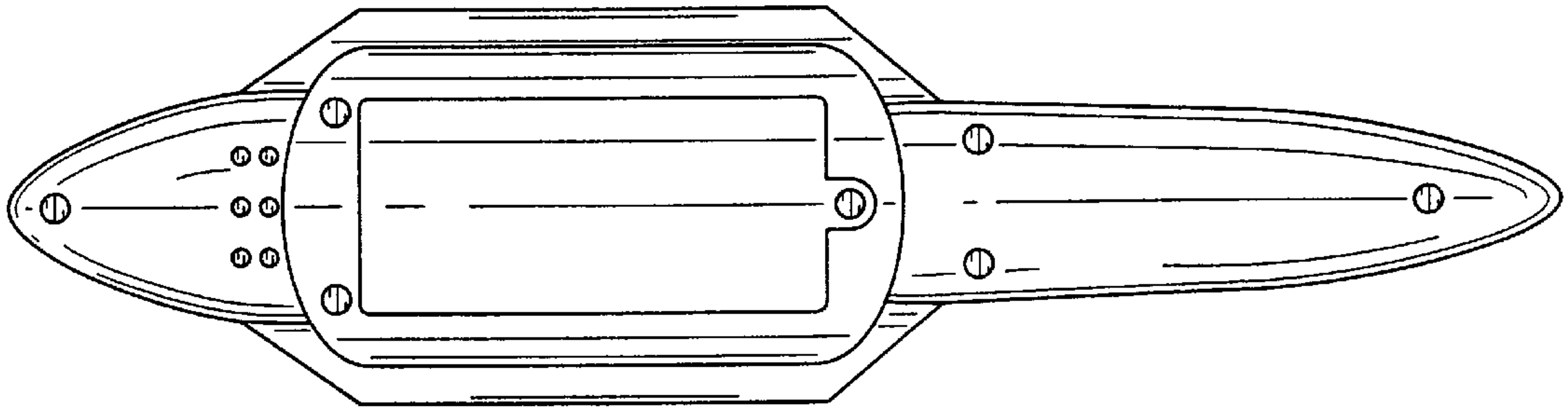


FIG. 3

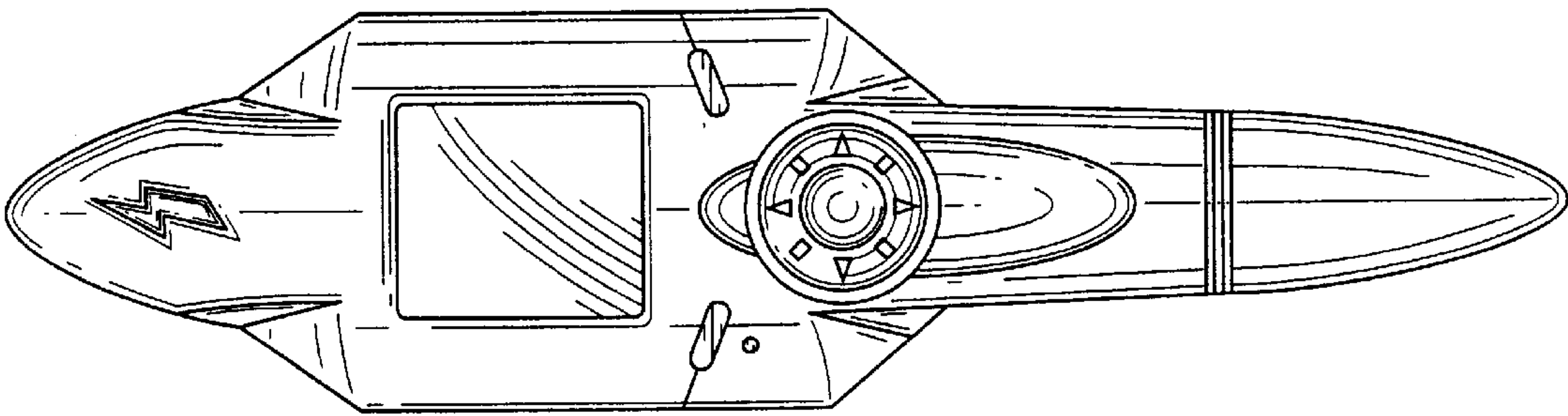


FIG. 2

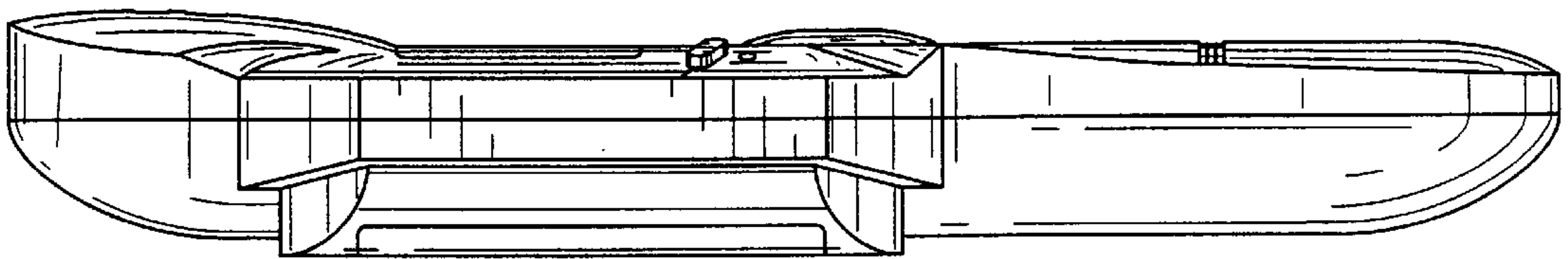


FIG. 5

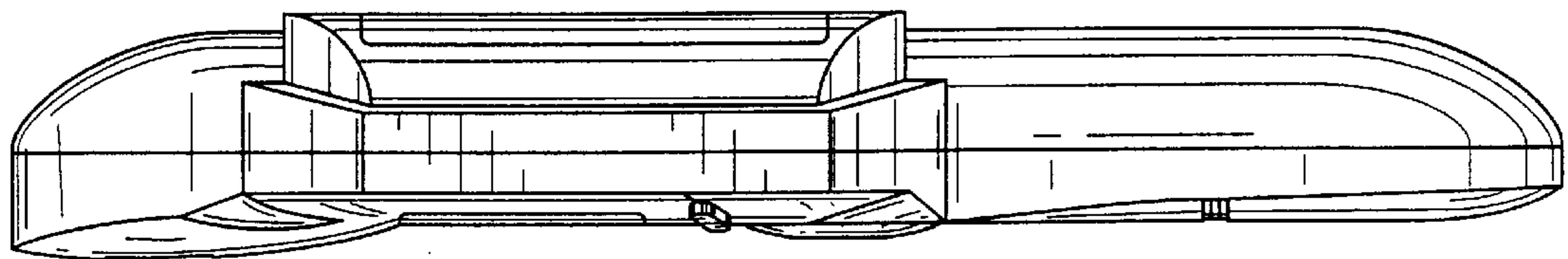


FIG. 4