



US00D408864S

# United States Patent [19] Linko, Sr.

[11] **Patent Number: Des. 408,864**

[45] **Date of Patent: \*\*Apr. 27, 1999**

[54] **SIGN**

[75] **Inventor: William James Linko, Sr., Monee, Ill.**

[73] **Assignee: Funk Forging Company, Chicago Heights, Ill.**

[\*\*] **Term: 14 Years**

[21] **Appl. No.: 29/082,336**

[22] **Filed: Jan. 20, 1998**

[51] **LOC (6) Cl. .... 20-02**

[52] **U.S. Cl. .... D20/41**

[58] **Field of Search ..... D20/10, 41, 42, D20/17; 40/584, 605, 606, 607; 52/736.1; D25/126, 128; 248/530, 511, 156**

2,683,907 7/1954 Lovasik .  
 3,250,032 5/1966 Von Gal, Jr. et al. .  
 4,269,534 5/1981 Ryan .  
 4,298,292 11/1981 Sweeney .

### OTHER PUBLICATIONS

Funk Forging Company—The Pole Manufacturer (Brochure).

*Primary Examiner*—Susan J. Lucas  
*Assistant Examiner*—Jennifer Rivard  
*Attorney, Agent, or Firm*—Wallenstein & Wagner, Ltd.

### [57] CLAIM

I claim the ornamental design for a “sign”, as shown and described.

### DESCRIPTION

FIG. 1 is a perspective view of a sign, incorporating the new design;  
 FIG. 2 is a side elevation view of the sign of FIG. 1;  
 FIG. 3 is a front elevational view of the sign of FIG. 1, the rear elevational view being a mirror image;  
 FIG. 4 is a top view of the sign of FIG. 1; and,  
 FIG. 5 is a bottom view of the sign of FIG. 1.  
 The broken lines are shown for illustrative purposes only and form no part of the claimed design.

[56] **References Cited**

U.S. PATENT DOCUMENTS

D. 51,997	4/1918	Vaughn	.....	D25/128 X
D. 330,568	10/1992	Roberts et al.	.....	D20/41
D. 382,910	8/1997	Greenfield	.....	D20/17
D. 395,677	6/1998	Gongora et al.	.....	D20/10
429,041	5/1890	Lynch	.	
535,809	3/1895	Blanchard	.	
915,287	3/1909	Haase	.....	40/607 X
1,489,694	4/1924	Brown	.	
1,697,025	1/1929	Searle	.	

**1 Claim, 2 Drawing Sheets**

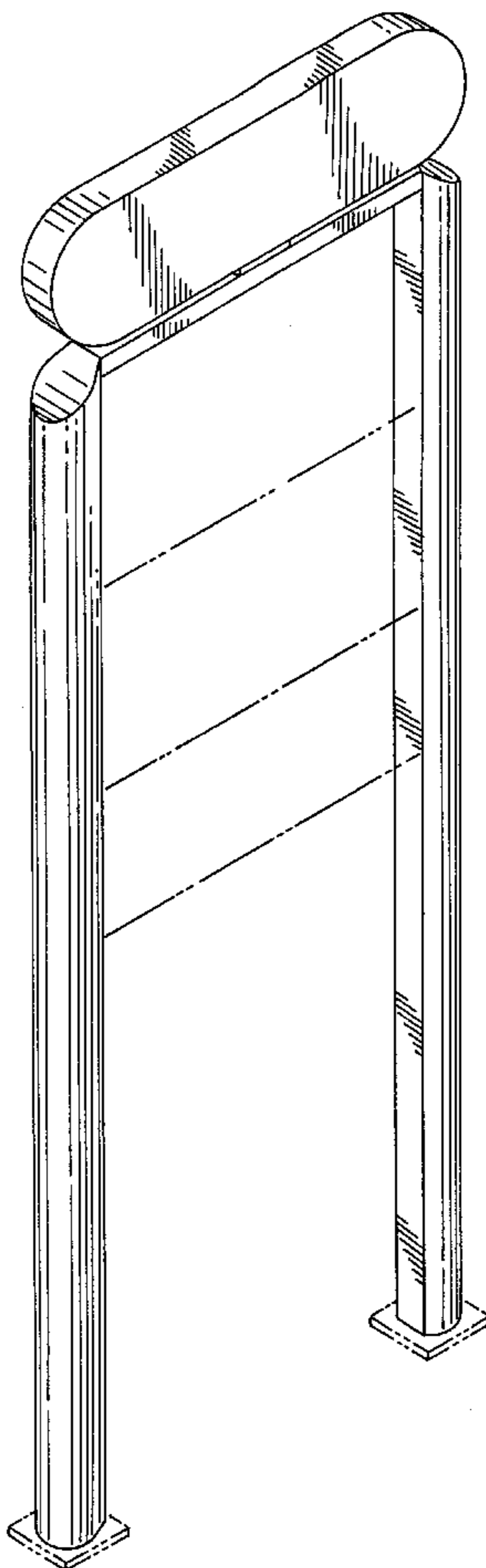


FIG. 1

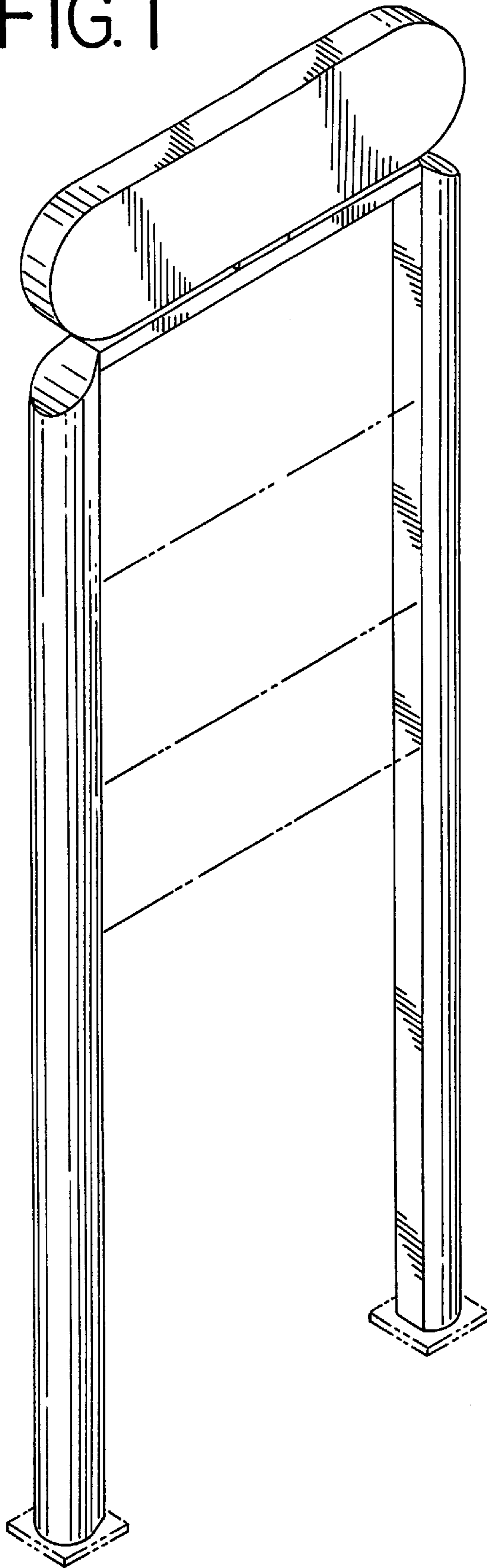


FIG. 2

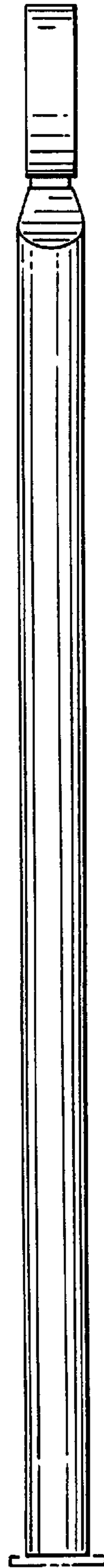


FIG. 3

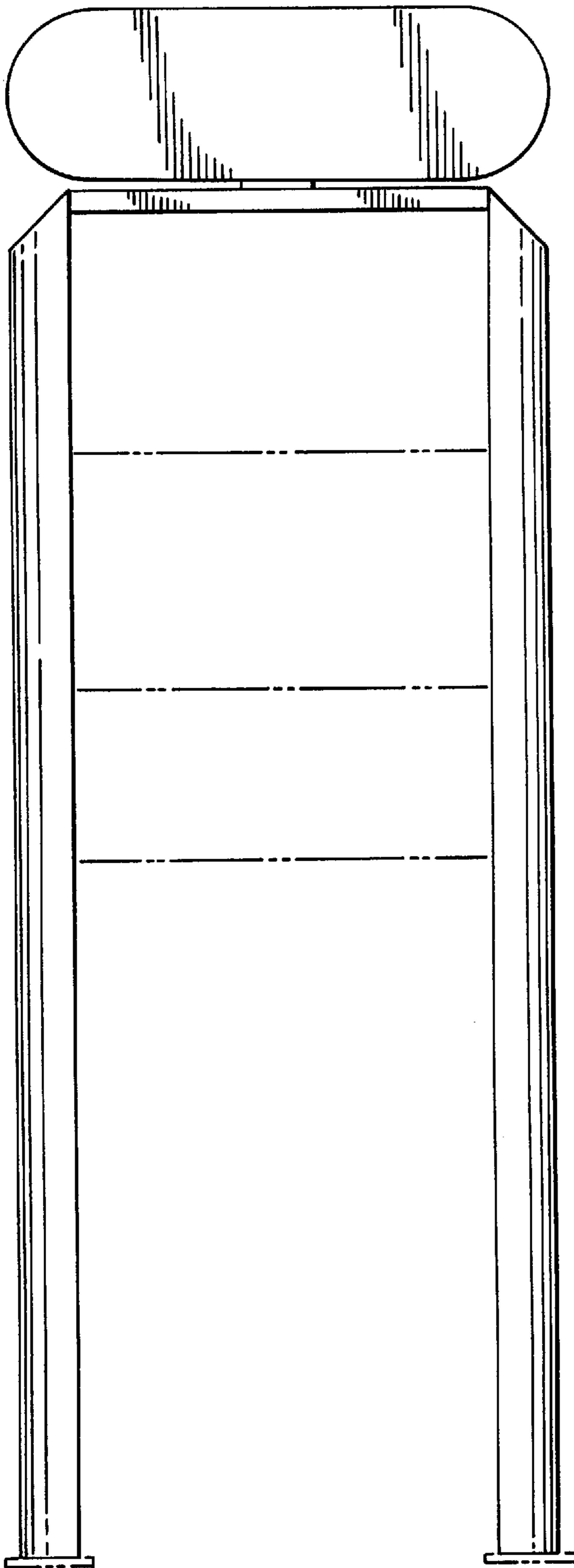


FIG. 4

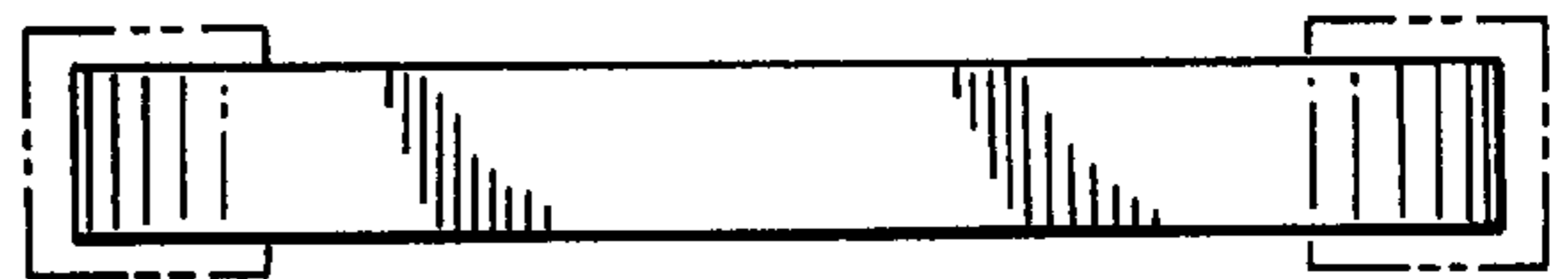


FIG. 5

