



US00D408859S

United States Patent [19]

[11] **Patent Number: Des. 408,859**

Ho

[45] **Date of Patent: ** Apr. 27, 1999**

[54] **HANGING TAG NOTE PAPER DISPENSER WITH PEN HOLDING SLOT**

[76] Inventor: **Peter Pei-Tak Ho**, 3723 N. Cicero Ave., Chicago, Ill. 60641

[**] Term: **14 Years**

[21] Appl. No.: **29/079,840**

[22] Filed: **Nov. 19, 1997**

[51] **LOC (6) Cl. 19-02**

[52] **U.S. Cl. D19/78; D19/86; D19/90; D19/83**

[58] **Field of Search** D19/35, 36, 52, D19/65, 75, 78, 81-85, 86, 90, 91, 99, 100; D6/512, 515, 518, 519; D20/40, 42, 43; 281/31, 45; 40/663; 211/73; 248/316.5; 206/39.6, 425

[56] **References Cited**

U.S. PATENT DOCUMENTS

D. 142,775	11/1945	Rebaylio	D19/78
D. 163,452	5/1951	Freeman	D19/78
D. 254,226	2/1980	Morse	D7/45
D. 270,273	8/1983	Kosmicki	D19/52
D. 280,646	9/1985	Howard et al.	D20/40
D. 310,688	9/1990	Windorski	D19/86
D. 316,877	5/1991	Mitchell	D20/43
D. 332,970	2/1993	Myers	D19/78
D. 342,096	12/1993	Cornell	D19/86
D. 342,099	12/1993	Jones	D20/40
D. 349,516	8/1994	Svee	D20/42
D. 354,519	1/1995	Wagner	D19/85

(List continued on next page.)

OTHER PUBLICATIONS

- Catalog p. 28 from TradeNet Line, 1997.
- Catalog p. 47 from The California Line, date unknown.
- Catalog page from 3M Post-It Note dispensers, date unknown.

Primary Examiner—Martie K. Holtje

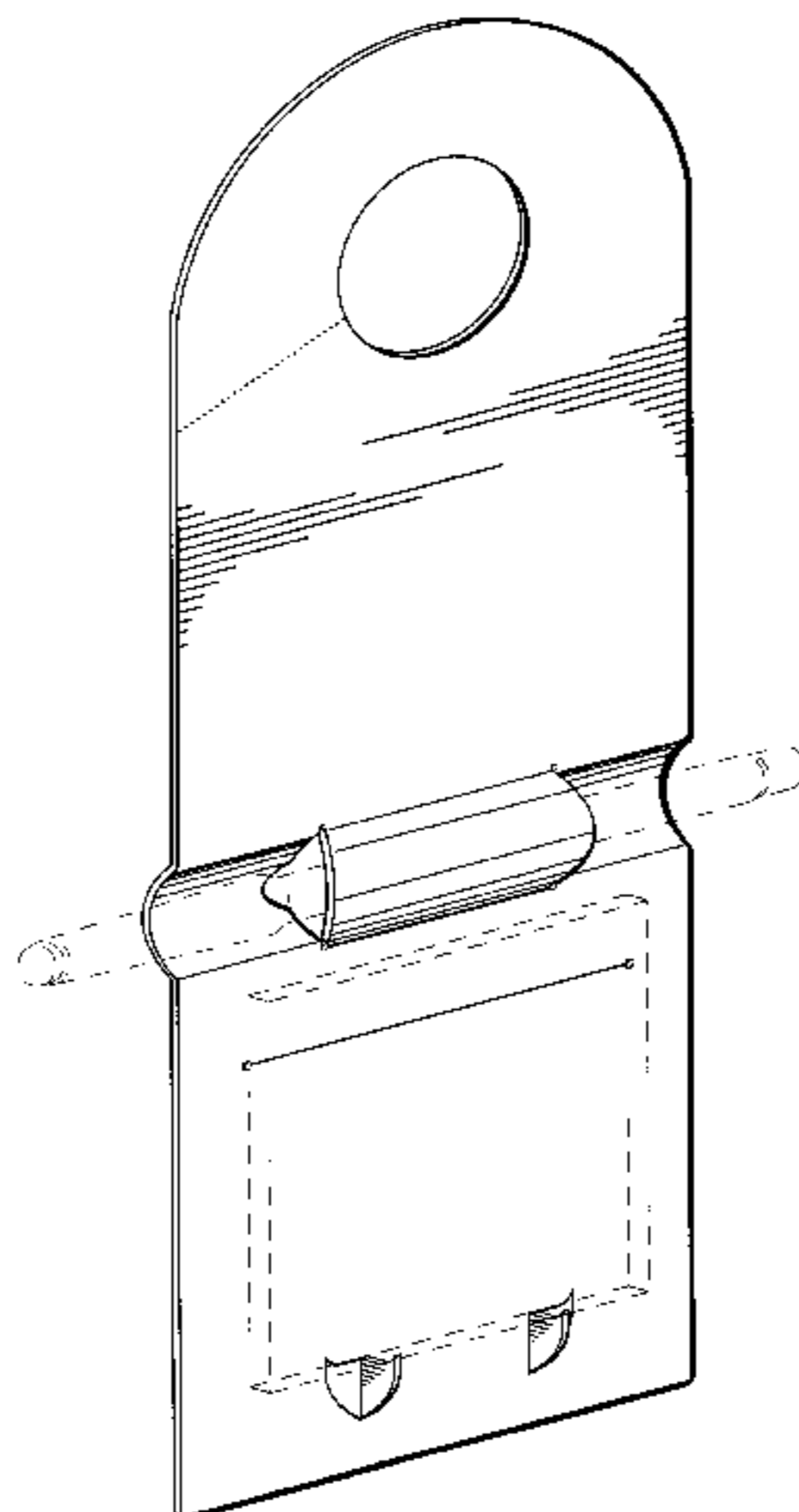
[57] **CLAIM**

The ornamental design for a hanging tag note paper dispenser with pen holding slot, as shown and described.

DESCRIPTION

FIG. 1 is a front elevation view of a hanging tag note paper dispenser with pen holding slot showing my new design; FIG. 2 is a side elevation view, the other side being a mirror image thereof; FIG. 3 is a bottom plan view thereof; FIG. 4 is a top plan view thereof; FIG. 5 is an enlarged fragmentary cross-sectional view of the perforation taken along lines 5—5 of FIG. 1; FIG. 6 is a rear view thereof; FIG. 7 is an enlarged fragmentary cross-sectional view taken along lines 7—7 of FIG. 6; FIG. 8 is an enlarged fragmentary cross-sectional view taken along lines 8—8 of FIG. 6; FIG. 9 is an enlarged fragmentary cross-sectional view taken along lines 9—9 of FIG. 6; FIG. 10 is an enlarged fragmentary cross-sectional view taken along lines 10—10 of FIG. 6; FIG. 11 is a perspective view of FIG. 1 thereof; FIG. 12 is a front elevation view of FIG. 1 in use with a pen inserted in the pen holding slot thereof; FIG. 13 is a side elevation view of FIG. 12, the other side being a mirror image thereof; FIG. 14 is a bottom plan view of FIG. 12 thereof; FIG. 15 is a top plan view of FIG. 12 thereof; FIG. 16 is a perspective view of FIG. 12 thereof; FIG. 17 is a second embodiment of FIG. 1, it being understood that the undisclosed right-side, left side, bottom and top plan views the same as in FIGS. 2, 3 and 4; FIG. 18 is a rear view of the second embodiment thereof; FIG. 19 is a perspective view of the second embodiment; and, FIG. 20 is a perspective view of the second embodiment in use with a pen inserted in the pen holding slot thereof. The dashed lines in FIGS. 1, 11, 17 and 19 have been employed to depict scored fold lines. The broken lines showing the outlines of a pen on FIGS. 12-16 and 20 are for illustrative purposes only and form no part of the claimed design. The broken lines showing the outlines of a note pad on FIGS. 1-4, 6, 11-16 and 20 are for illustrative purposes only and form no part of the claimed design.

1 Claim, 6 Drawing Sheets



Des. 408,859

Page 2

U.S. PATENT DOCUMENTS						
			4,545,521	10/1985	Hiersteiner	40/331
			4,562,938	1/1986	Loder	221/46
			4,586,630	5/1986	Loder	221/46
			4,770,320	9/1988	Miles et al.	221/33
			4,862,617	9/1989	Cooke, Jr. et al.	40/663
			5,137,453	8/1992	Hudson	434/408
			5,165,570	11/1992	Windorski	221/46
			5,363,985	11/1994	Cornell	211/46
			5,480,037	1/1996	Pope	211/50
			5,554,034	9/1996	Zand	434/263
D. 390,882	2/1998	Ho	D19/90 X			
D. 394,882	6/1998	Ho	D19/90 X			
632,155	8/1899	Smith	248/316.5			
844,948	2/1907	Lynch	281/31			
983,964	2/1911	White	D19/90 X			
1,212,349	1/1917	Hardy	206/39.6			
2,528,695	11/1950	King	281/45			
2,758,723	8/1956	Morris et al.	211/73			
4,216,598	8/1980	Newbert	40/331			

FIG. 4

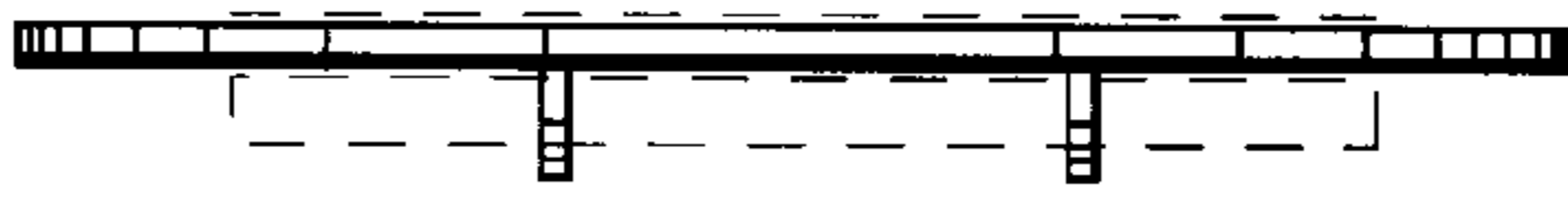


FIG. 5



FIG. 1

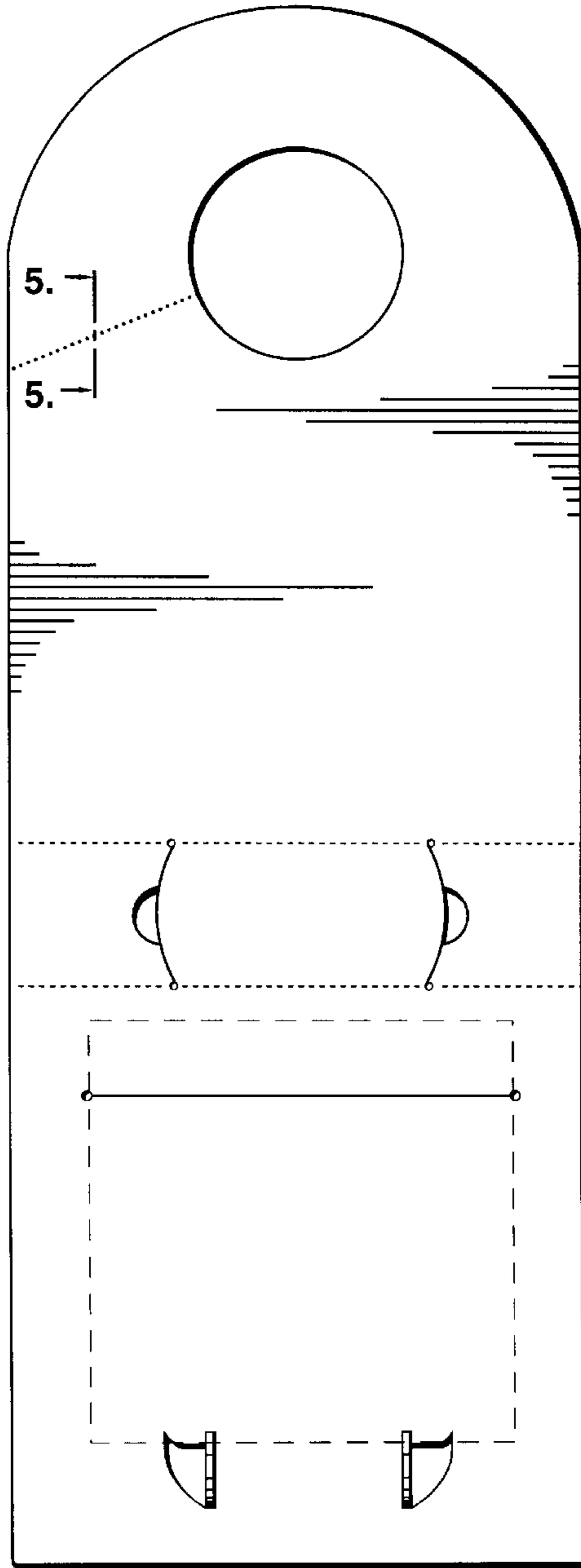


FIG. 2



FIG. 3

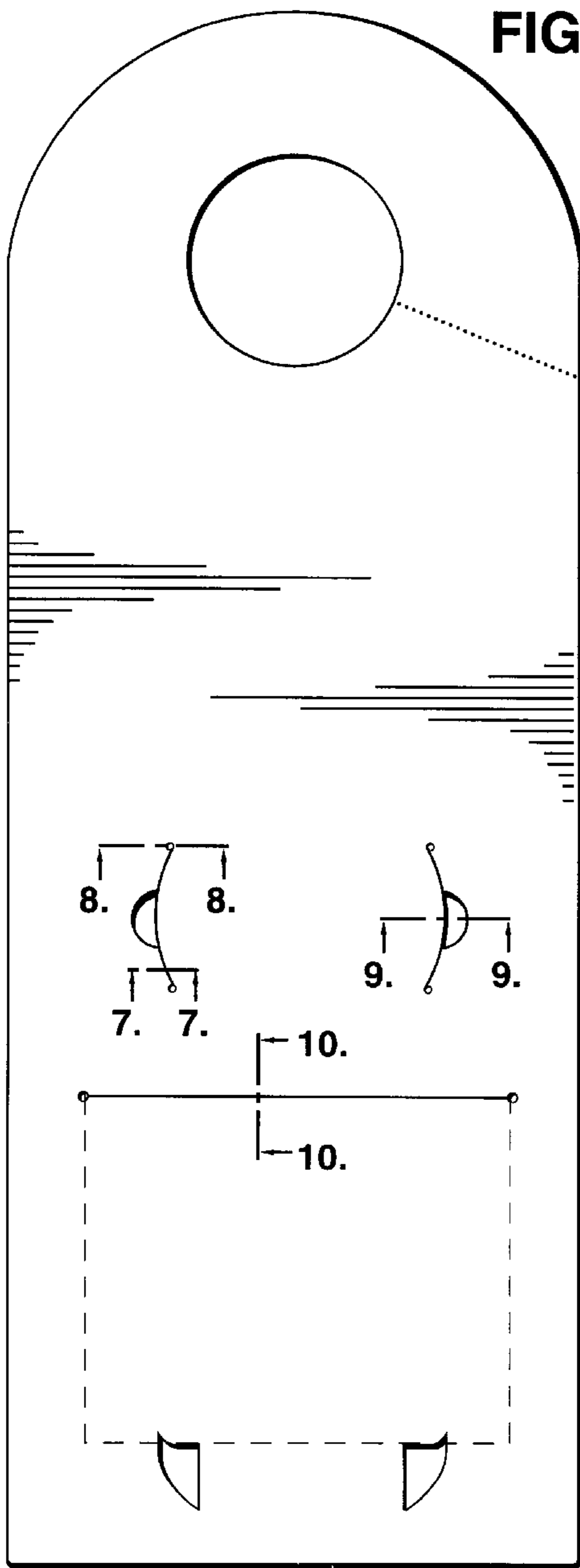


FIG. 6

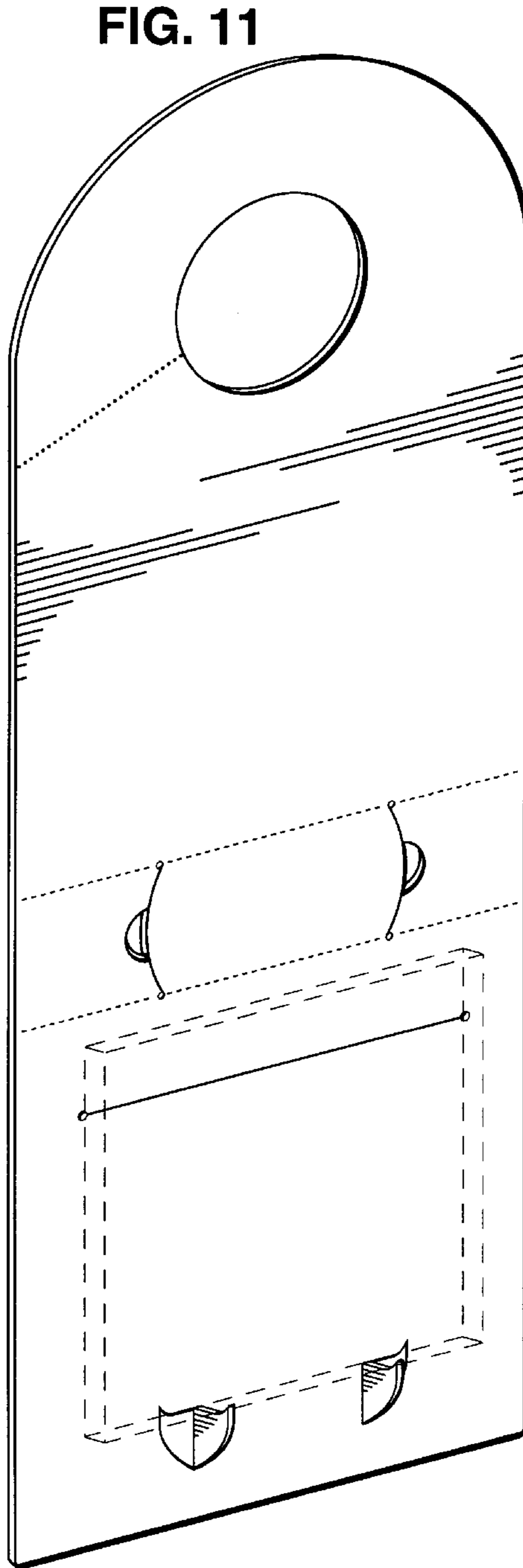


FIG. 11



FIG. 7



FIG. 8



FIG. 9

FIG. 10



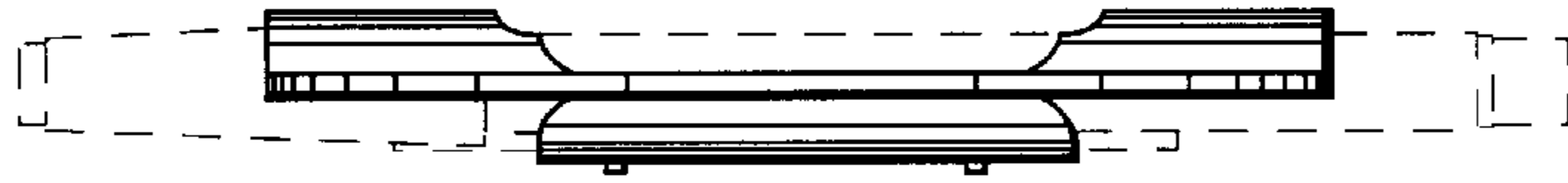


FIG. 15

FIG. 12

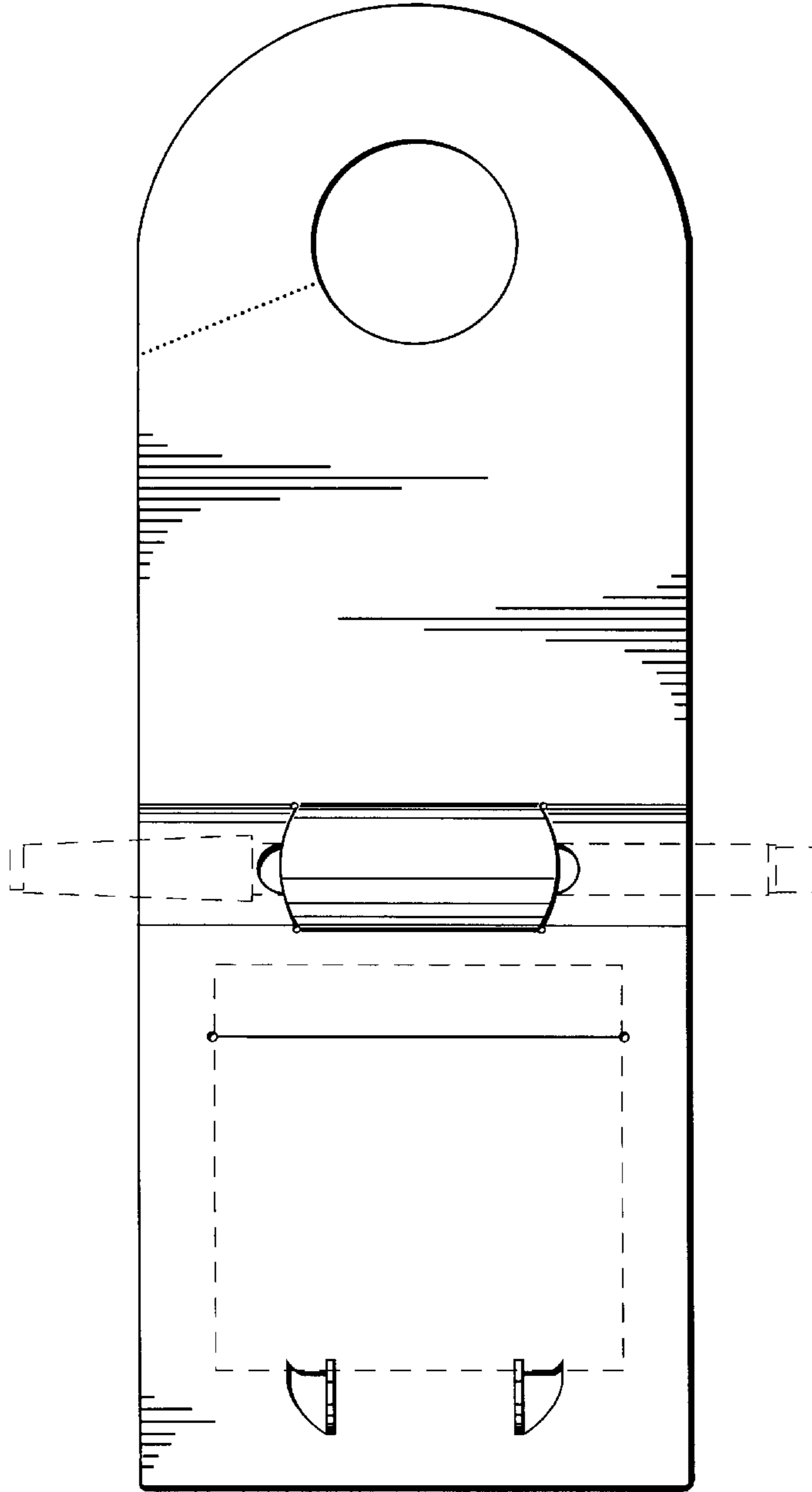


FIG. 13

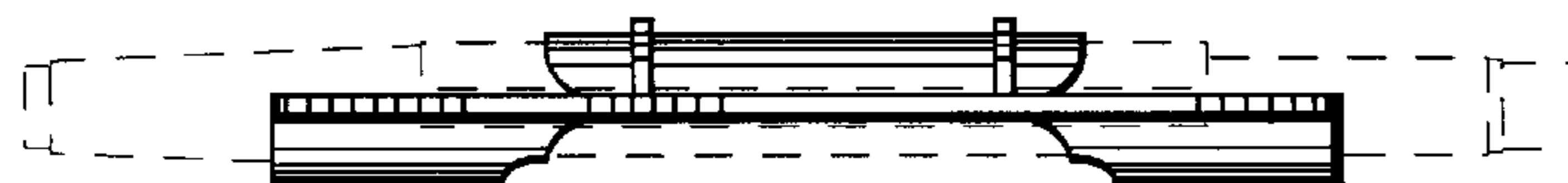
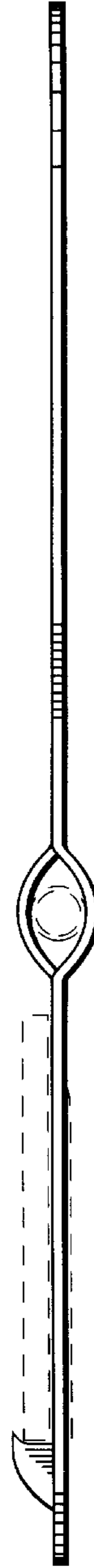


FIG. 14

FIG. 16

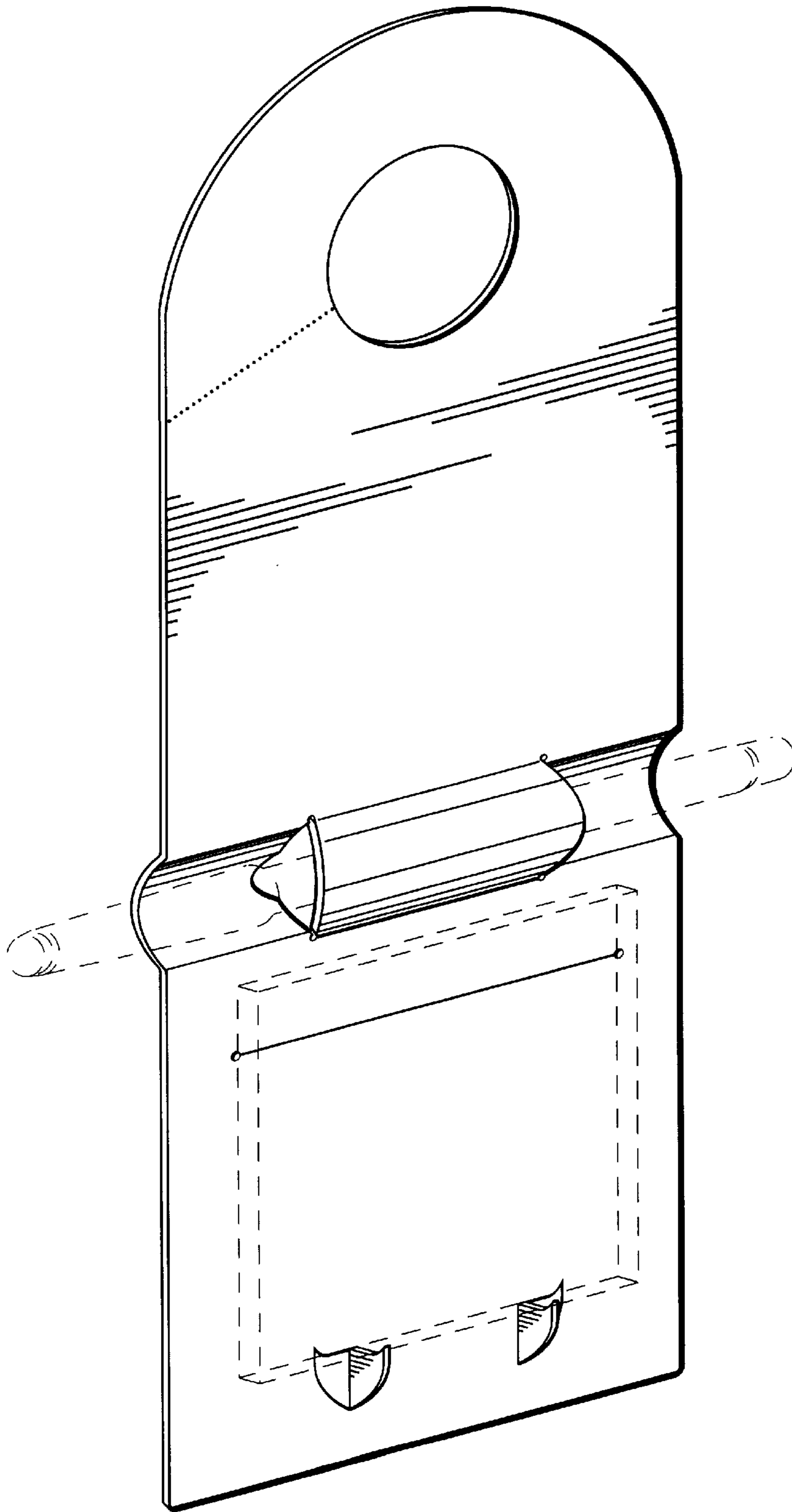


FIG. 17

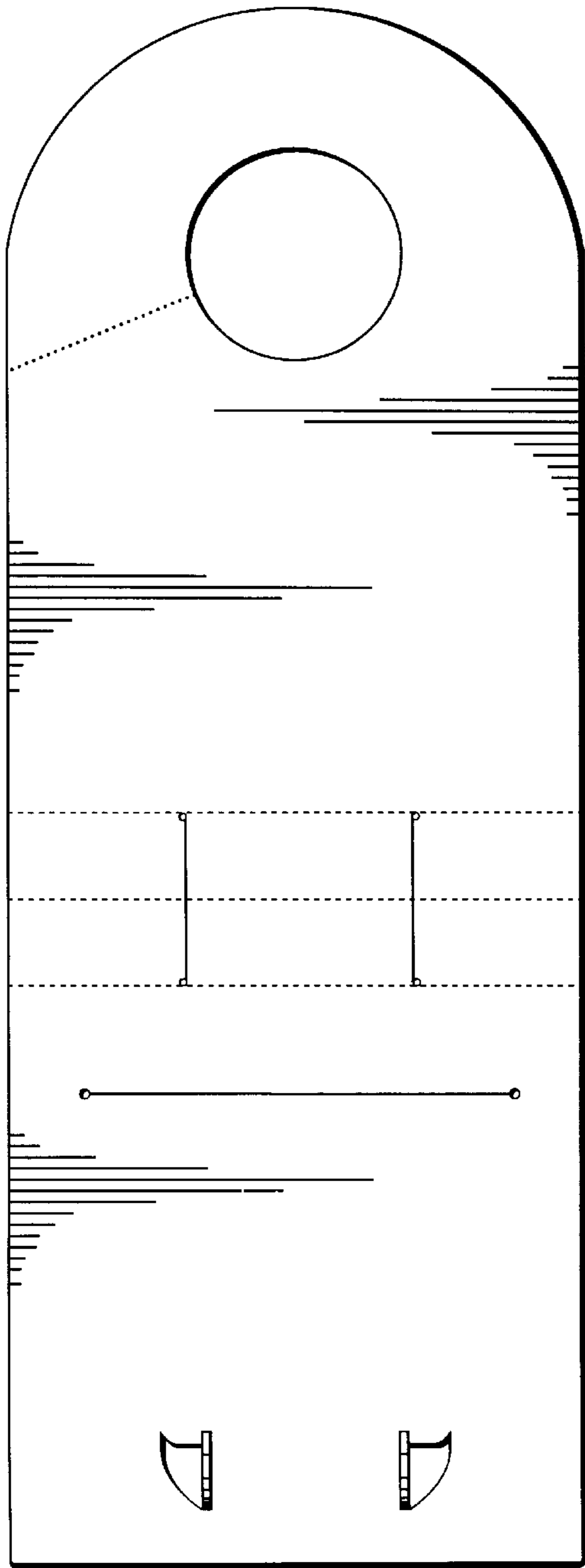
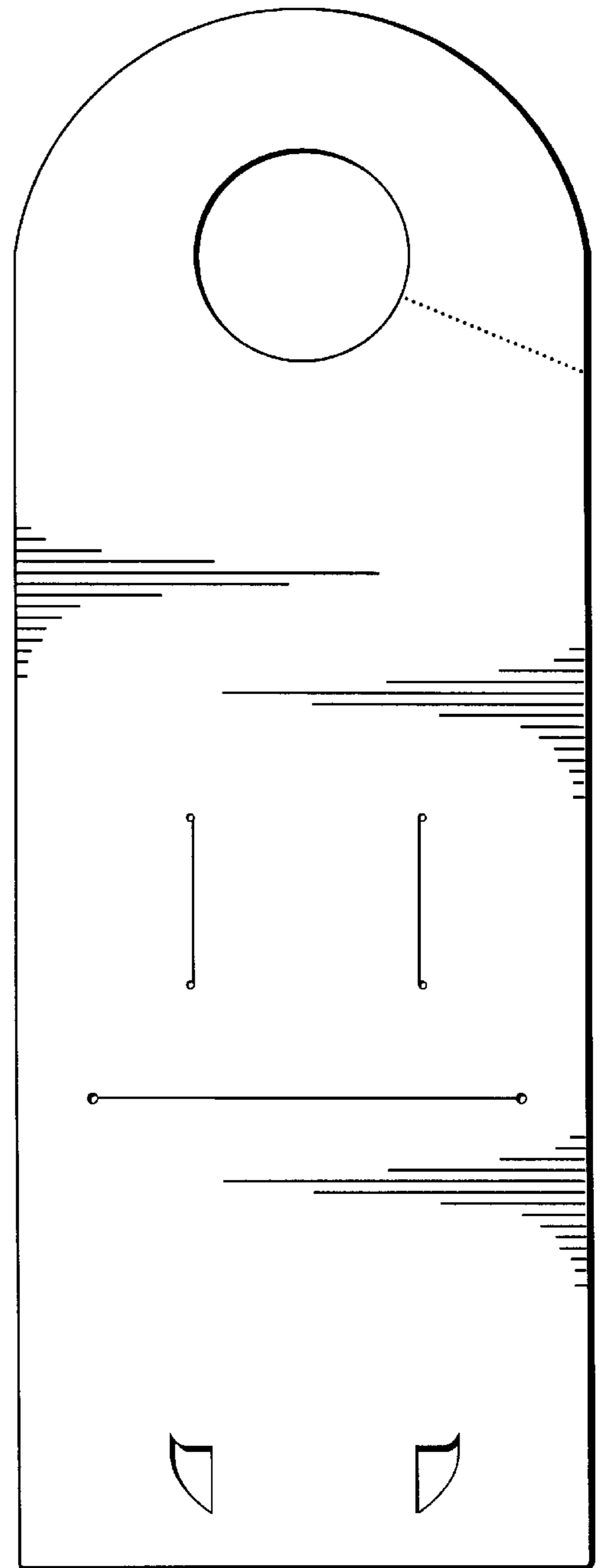


FIG. 18



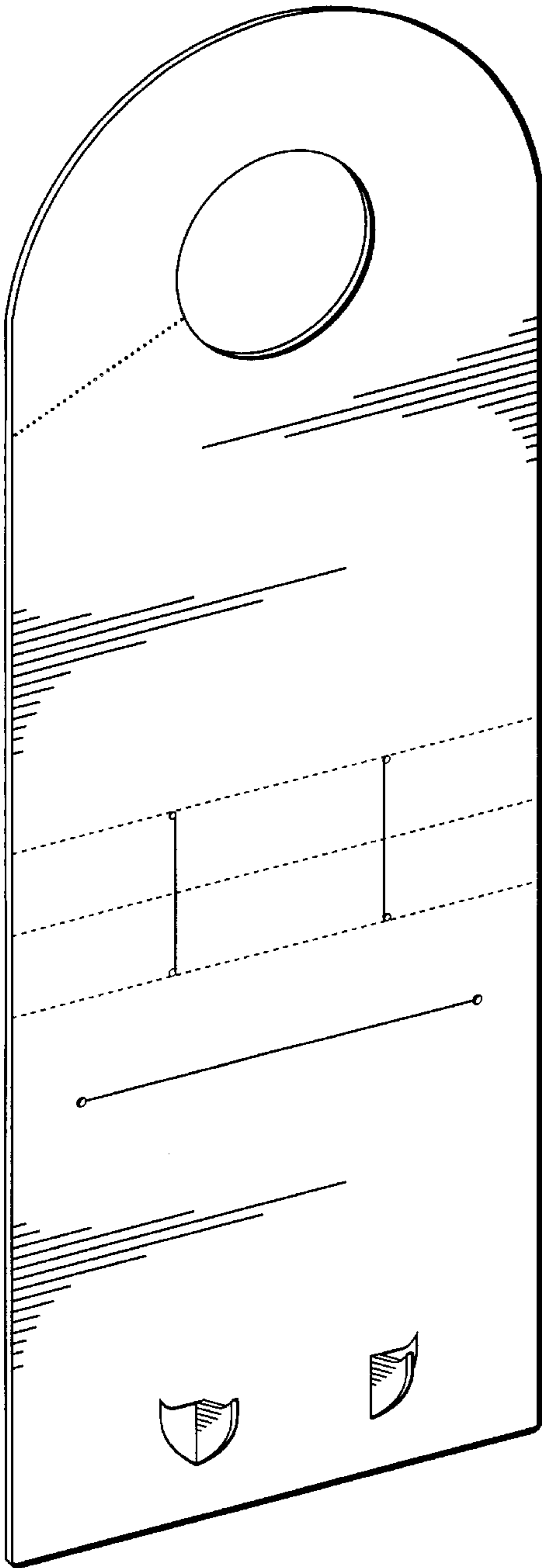


FIG. 19

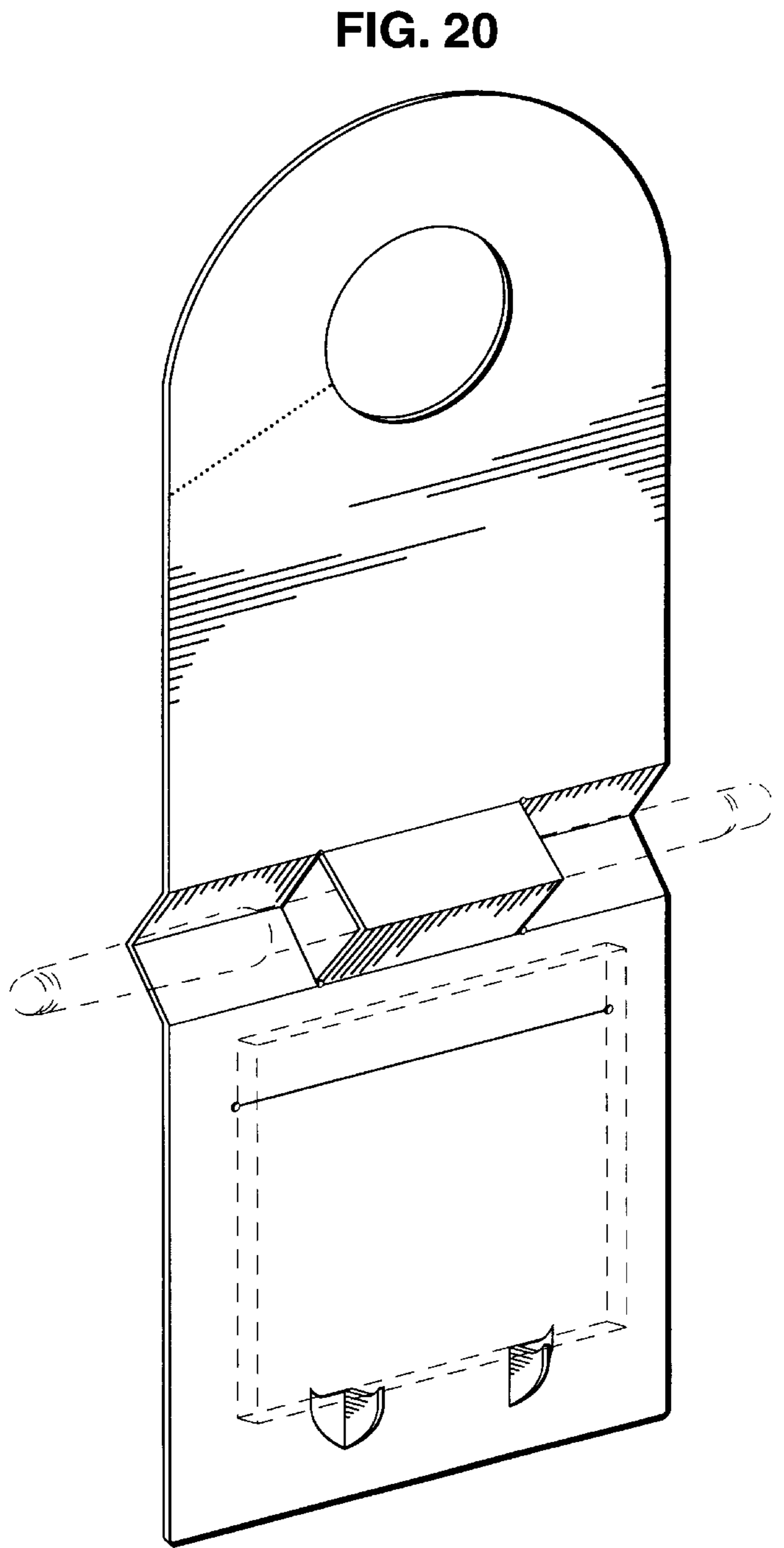


FIG. 20