



US00D408857S

United States Patent [19] Trimm

[11] Patent Number: **Des. 408,857**

[45] Date of Patent: **** Apr. 27, 1999**

[54] MAIL STACKING DEVICE

[75] Inventor: **Cynthia L. Trimm**, Edwardsburg, Mich.

[73] Assignee: **Gizmo, Inc.**, Edwardsburg, Mich.

[**] Term: **14 Years**

[21] Appl. No.: **29/081,943**

[22] Filed: **Dec. 19, 1997**

[51] LOC (6) Cl. **19-02**

[52] U.S. Cl. **D19/75; D6/462; D6/449; D19/86**

[58] Field of Search D19/65, 75, 78, D19/86, 92, 95, 99, 100; D6/449, 462; D7/631; 100/1, 34; 211/72, 50; 248/146, 152, 174, 175

2,521,126 9/1950 Price 211/50
 2,965,016 12/1960 Price 100/1
 3,952,876 4/1976 Price 211/50
 4,298,126 11/1981 Filipowicz 211/50
 4,964,518 10/1990 Wilson 248/146
 5,033,628 7/1991 Scholes 211/50

Primary Examiner—Martie K. Holtje
Attorney, Agent, or Firm—Baker & Daniels

[57] CLAIM

The ornamental design for a mail stacking device, as shown and described.

DESCRIPTION

FIG. 1 is a front and right perspective view of the mail stacking device showing my new design.

FIG. 2 is a right side elevational view thereof, the left side elevational view being a mirror image.

FIG. 3 is a front elevational view thereof, the rear elevational view being a mirror image.

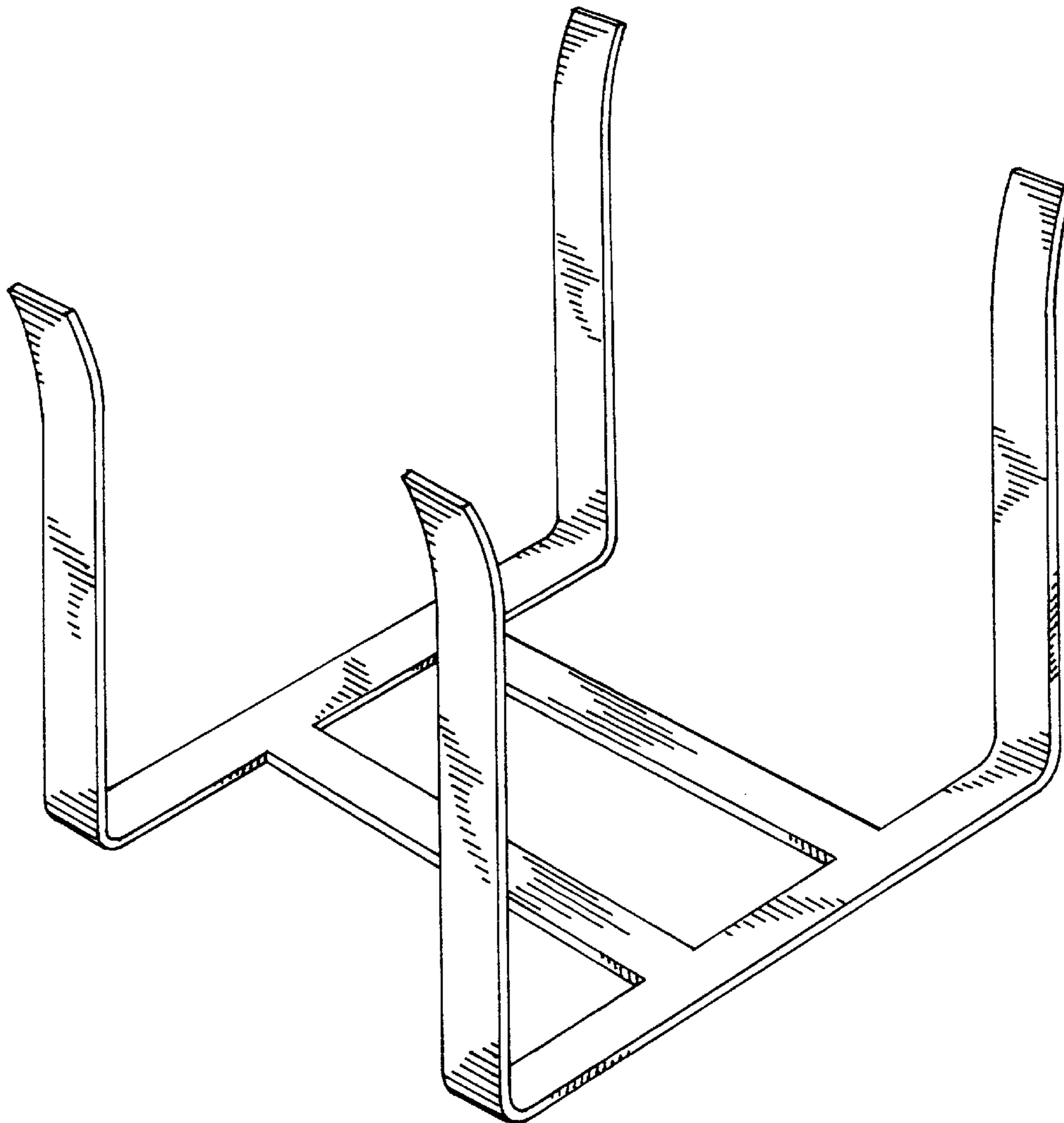
FIG. 4 is a top plan view thereof; and,

FIG. 5 is a bottom plan view thereof.

[56] References Cited U.S. PATENT DOCUMENTS

D. 162,226 2/1951 Rippe D6/462
 D. 238,543 1/1976 Lochner D7/631

1 Claim, 3 Drawing Sheets



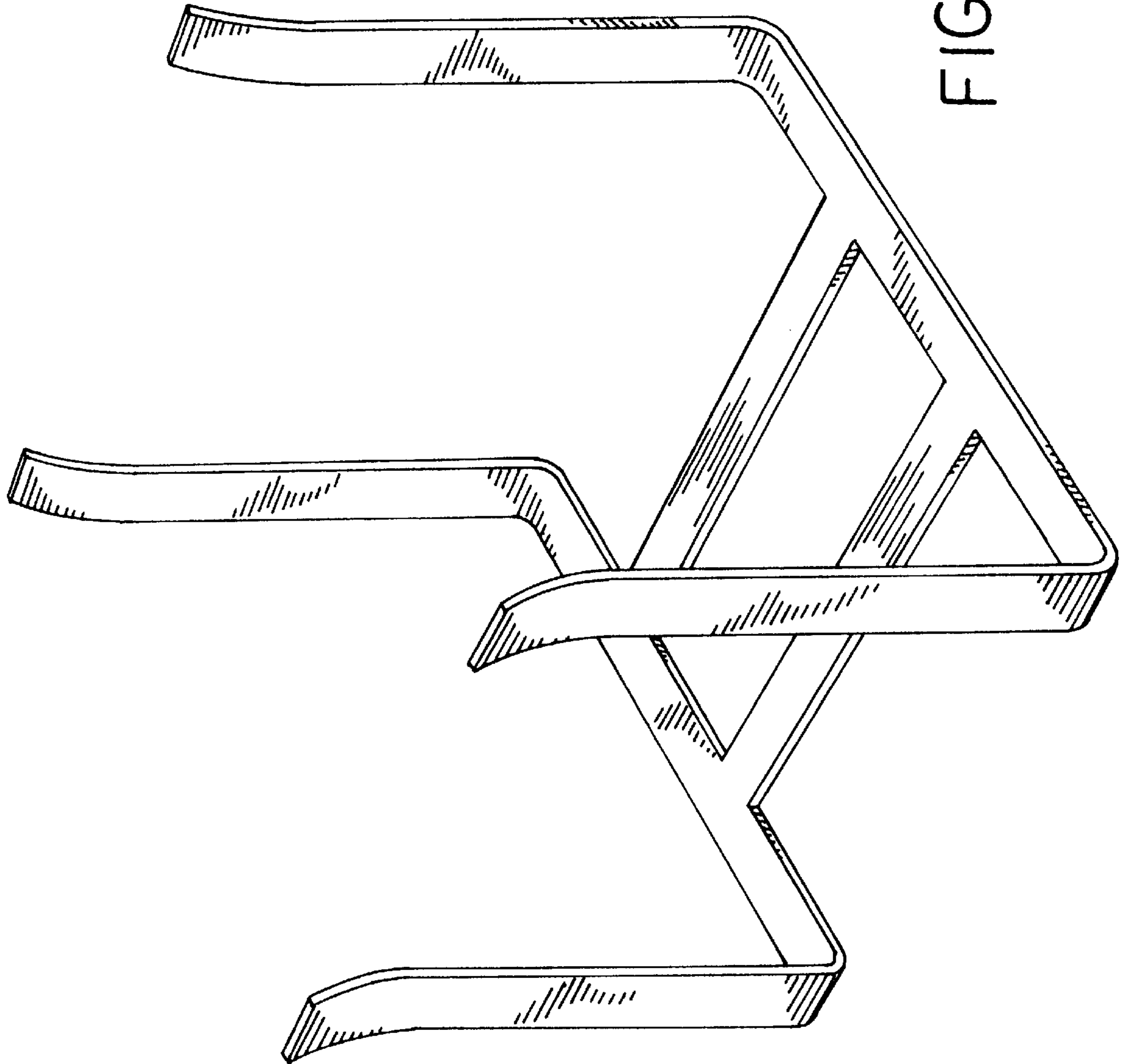


FIG. 1

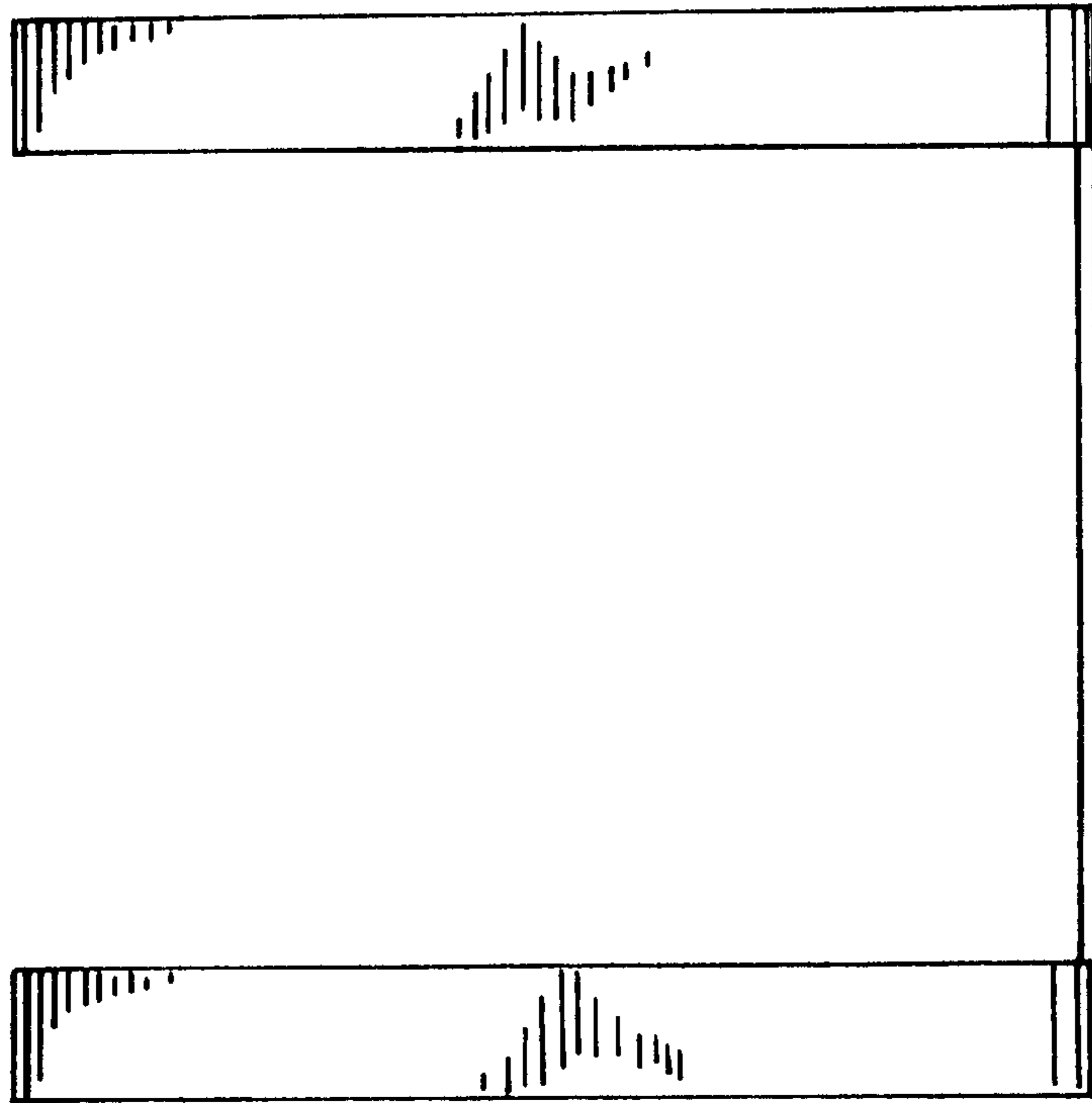


FIG. 2

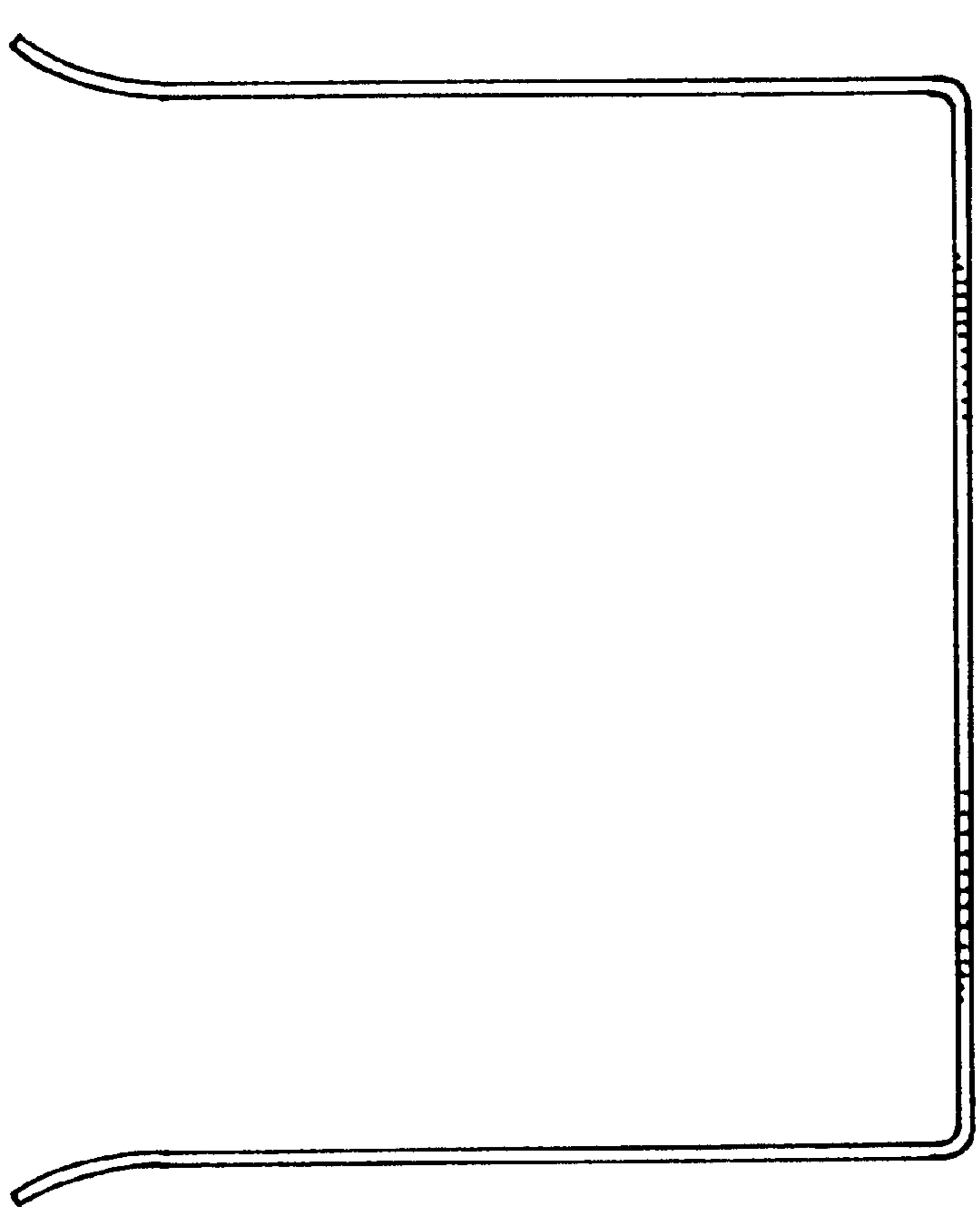


FIG. 3

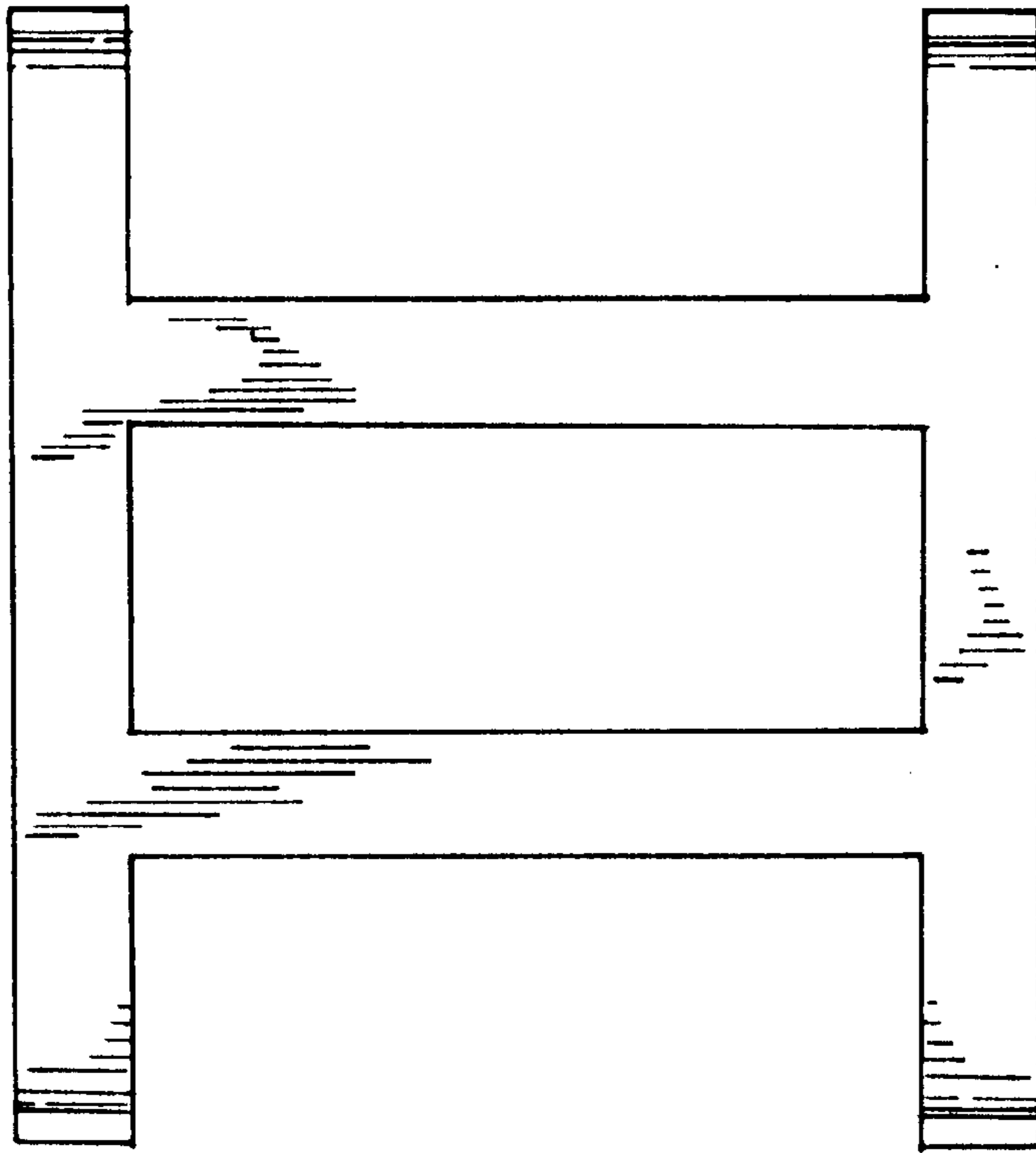


FIG. 5

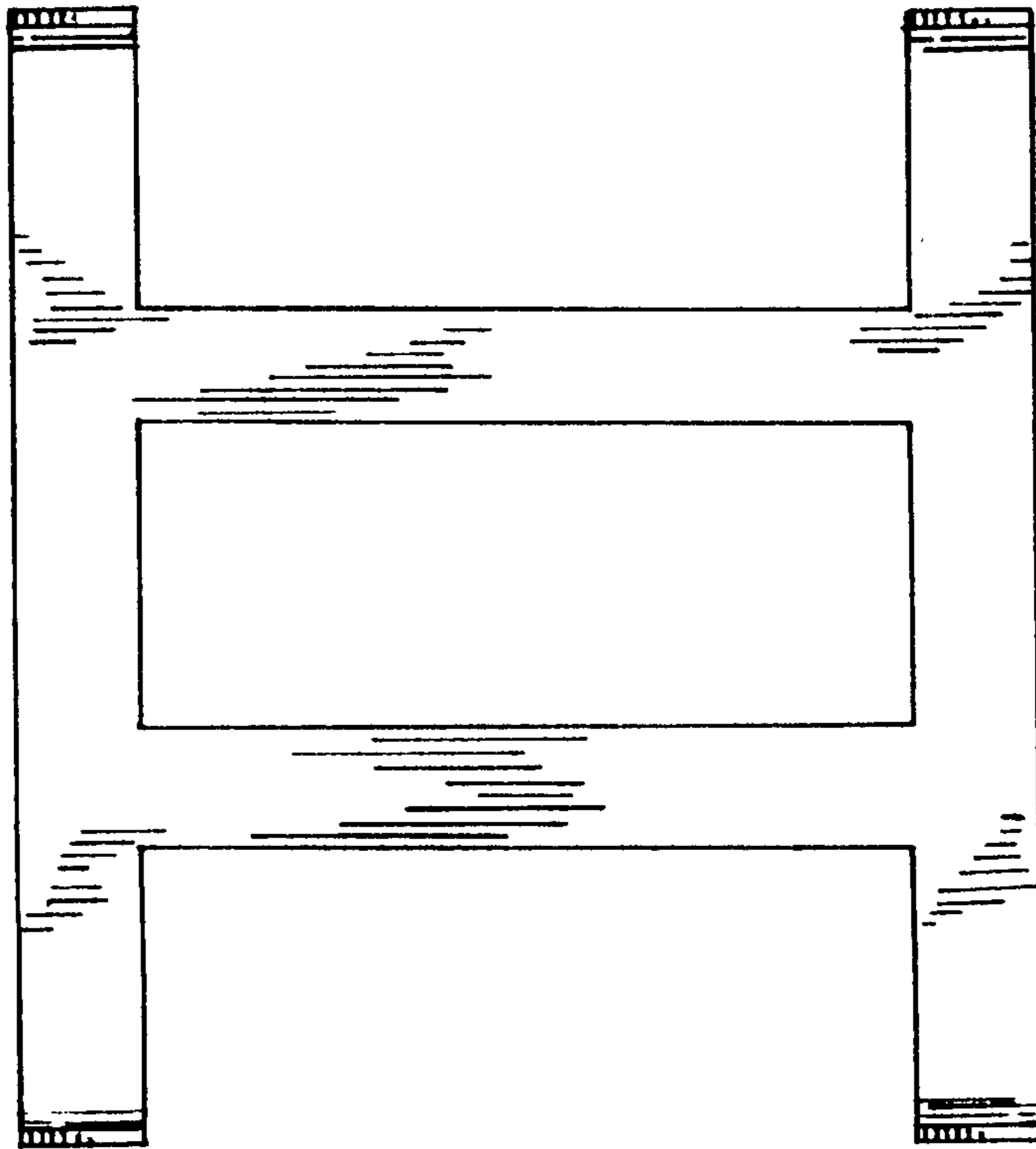


FIG. 4