



US00D408852S

United States Patent [19]
Morrison

[11] **Patent Number: Des. 408,852**

[45] **Date of Patent: **Apr. 27, 1999**

[54] **PAINT POT AND PAINT WELL**

[75] Inventor: **Adam P. Morrison**, Rockford, Ill.

[73] Assignee: **The Testor Corporation**, Rockford, Ill.

[**] Term: **14 Years**

[21] Appl. No.: **29/074,446**

[22] Filed: **Jul. 31, 1997**

[51] **LOC (6) Cl.** **19-06**

[52] **U.S. Cl.** **D19/36; D19/35; D9/341; D9/347**

[58] **Field of Search** D9/341, 347; D19/35, D19/36, 65, 75, 77, 78, 81-85; D24/223, 227, 230; 206/1.7, 1.8, 1.9, 214, 224, 371; 211/69.1-69.9; 220/8

[56] **References Cited**

U.S. PATENT DOCUMENTS

D. 146,348	2/1947	Clippard	D9/341 X
D. 187,054	1/1960	Irwin et al.	D9/347
D. 368,736	4/1996	Massena	D19/36
2,741,048	4/1956	Shelton	206/1.7
2,992,501	7/1961	Douglas	220/8 X

Primary Examiner—Martie K. Holtje

Attorney, Agent, or Firm—Fay, Sharpe, Beall, Fagan, Minnich & McKee

[57] **CLAIM**

The ornamental design for a paint pot and paint well, as shown and described.

DESCRIPTION

FIG. 1 is a top plan view of a paint pot and paint well showing my new design;

FIG. 2 is a front elevational view thereof with one of the paint pot covers pivoted upward in the open position as shown in phantom;

FIG. 3 is a right side elevational view of the paint pot and paint well shown in FIG. 1;

FIG. 4 is a rear elevational view of the paint pot and paint well;

FIG. 5 is a bottom plan view of the paint pot and paint well;

FIG. 6 is a left side elevational view of the paint pot and paint well;

FIG. 7 is a top plan view of a paint well showing my new design, the paint well shown separately for convenience of illustration;

FIG. 8 is a front elevational view of the paint well shown separately for convenience of illustration;

FIG. 9 is a right side elevational view of the paint well shown separately for convenience of illustration;

FIG. 10 is a rear elevational view of the paint well shown separately for convenience of illustration;

FIG. 11 is a bottom plan view of the paint well shown separately for convenience of illustration;

FIG. 12 is a left side elevational view of the paint well shown separately for convenience of illustration;

FIG. 13 is a top plan view showing the paint pot of my new design shown separately for convenience of illustration;

FIG. 14 is a front elevational view of the paint pot shown separately for convenience of illustration;

FIG. 15 is a bottom plan view of the paint pot shown separately for convenience of illustration;

FIG. 16 is a rear elevational view of the paint pot shown separately for convenience of illustration;

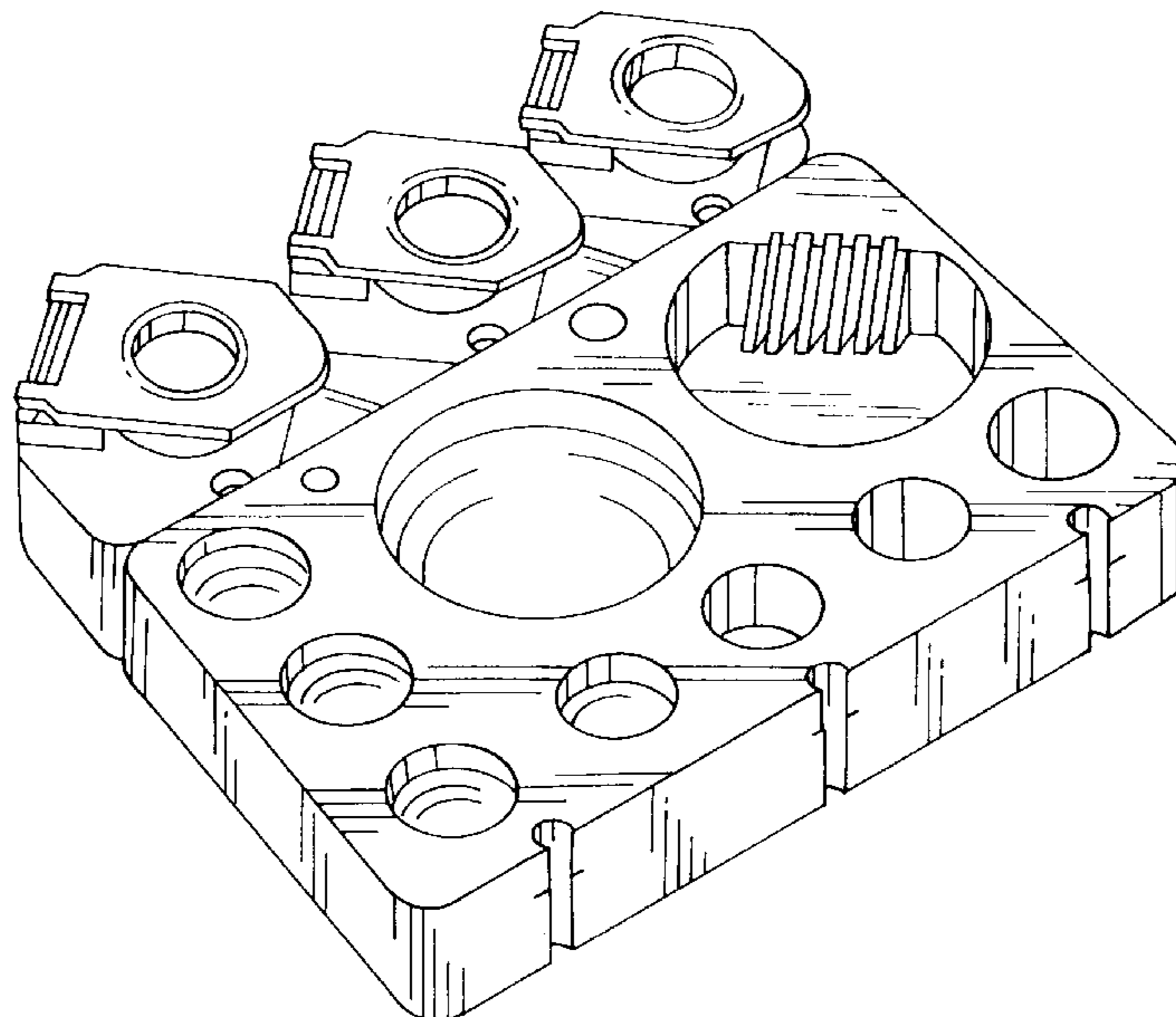
FIG. 17 is a left side elevational view of the paint pot shown separately for convenience of illustration; and

FIG. 18 is a right side elevational view of the paint pot shown separately for convenience of illustration;

FIG. 19 is a perspective view of the paint pot and paint well of FIG. 1; and,

FIG. 20 is an exploded perspective view of the paint pot and paint well of FIG. 1.

1 Claim, 7 Drawing Sheets



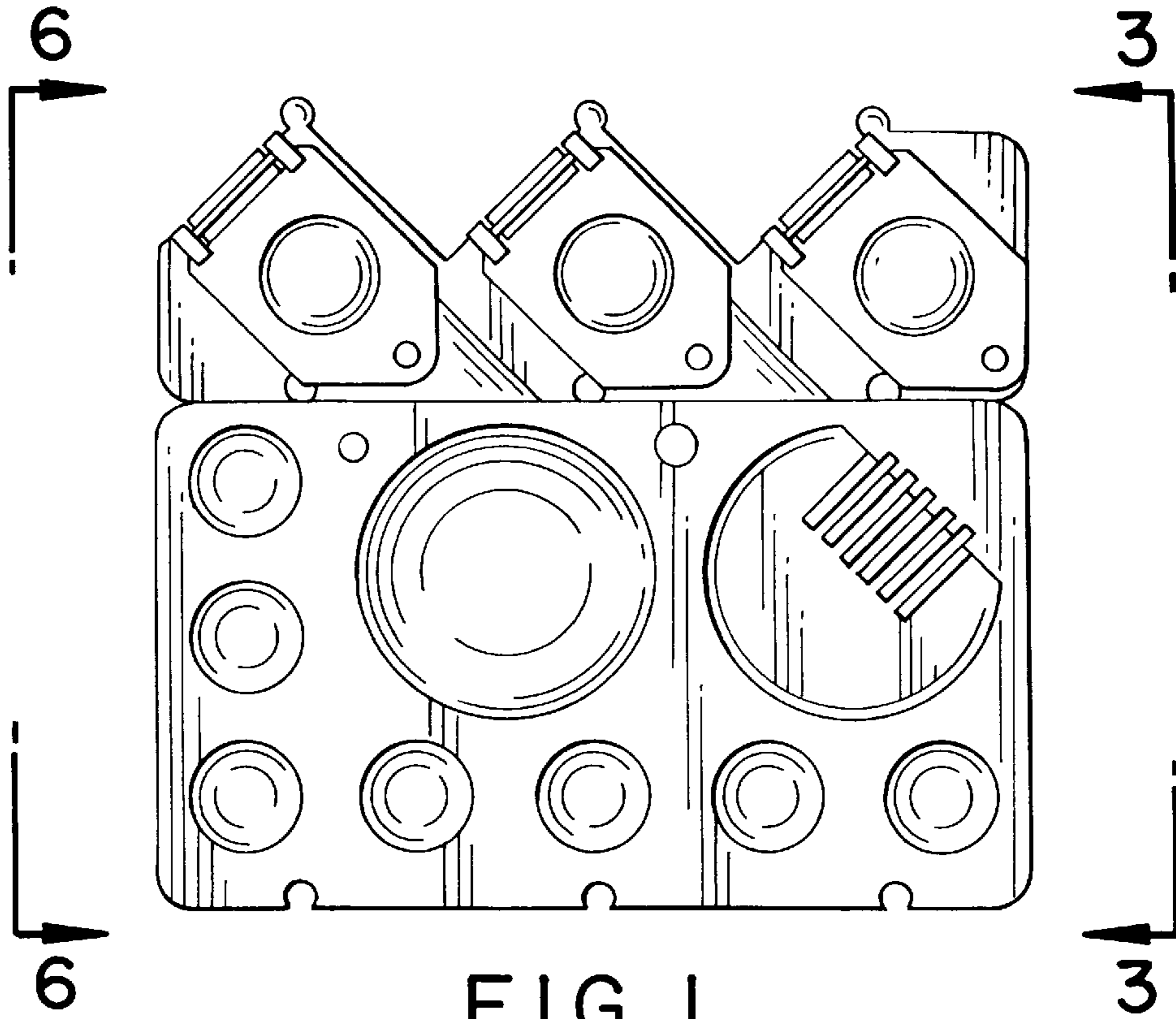


FIG. 1

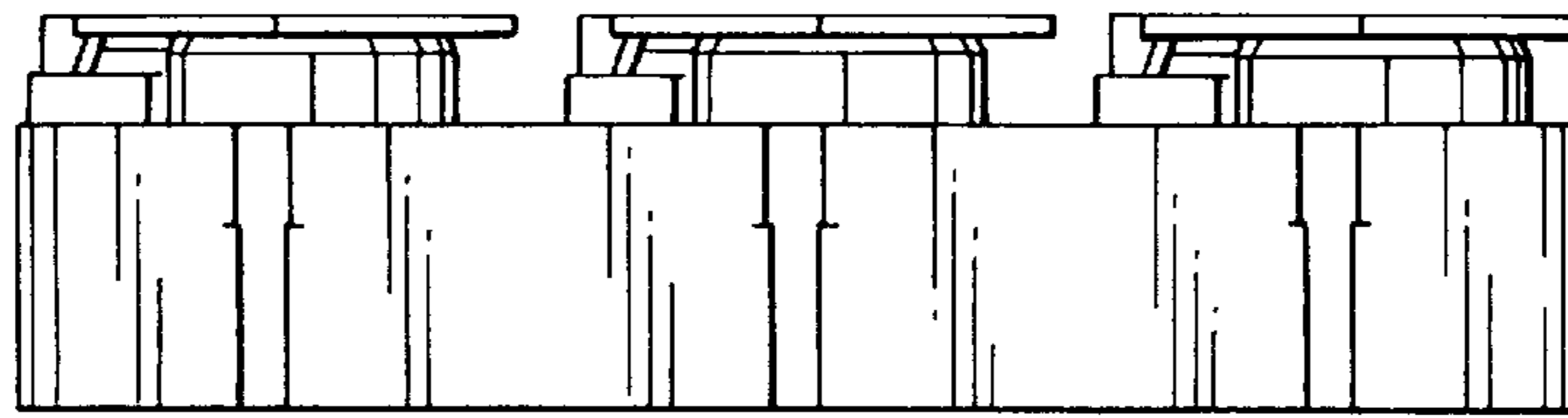


FIG. 2

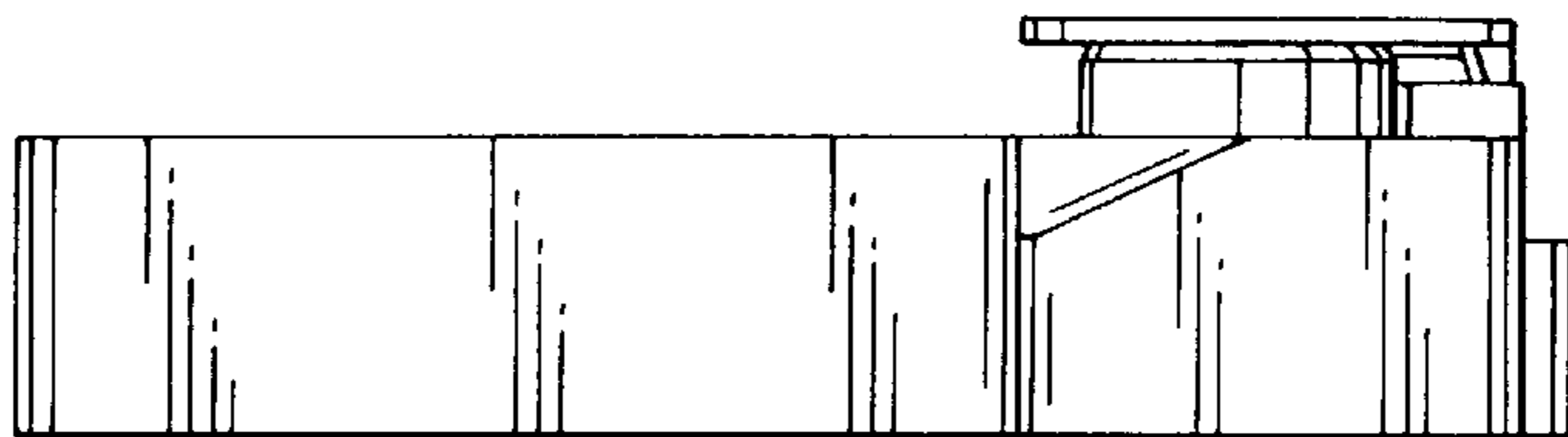


FIG. 3

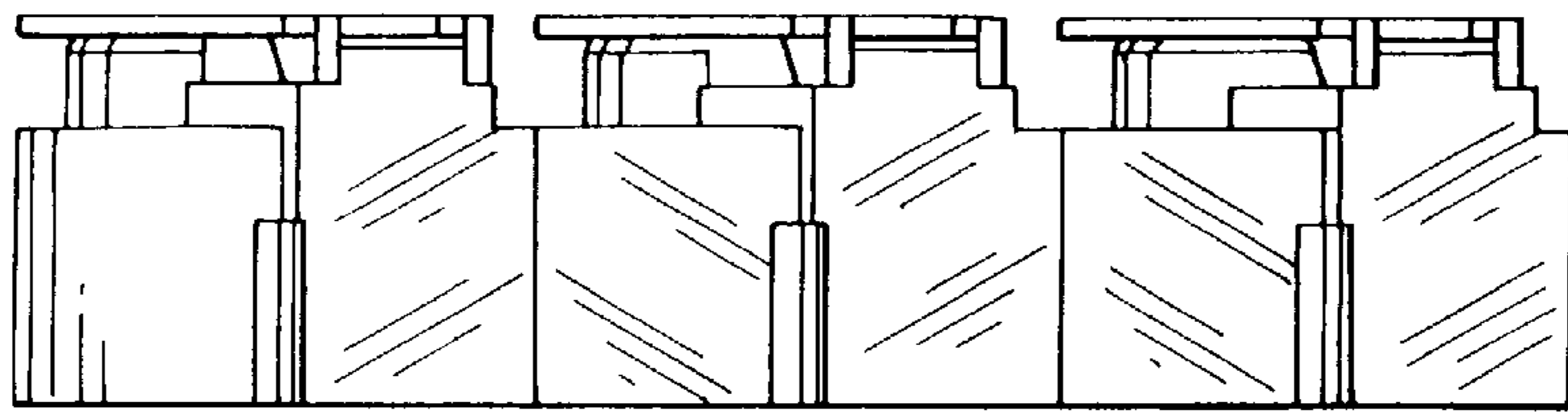


FIG. 4

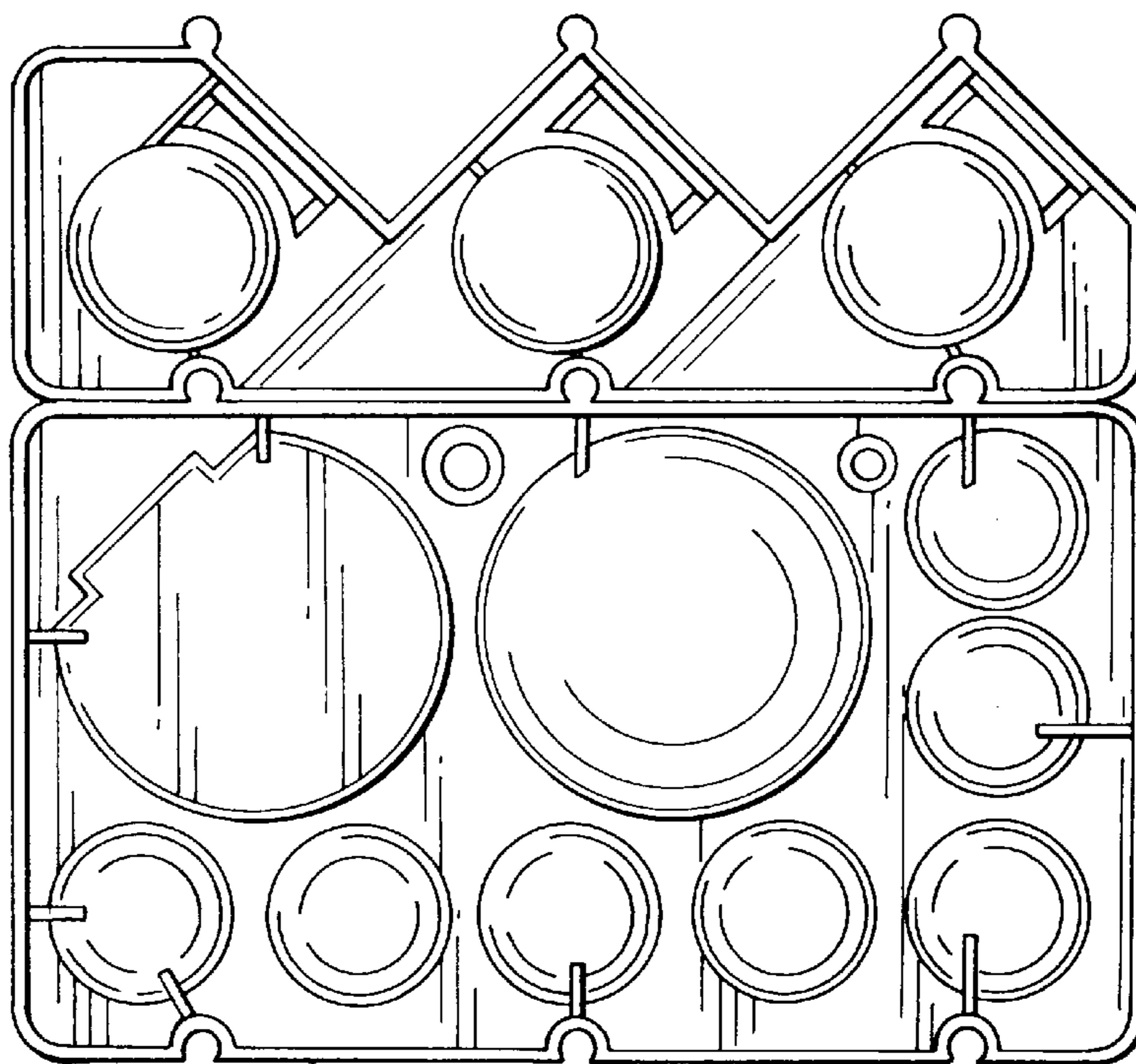


FIG. 5

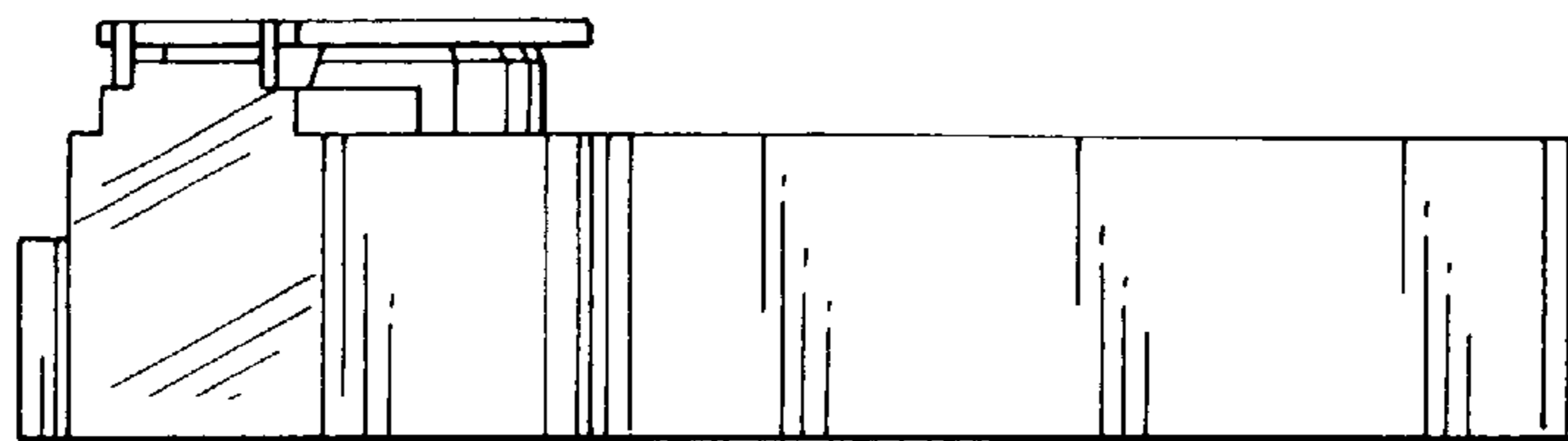


FIG. 6

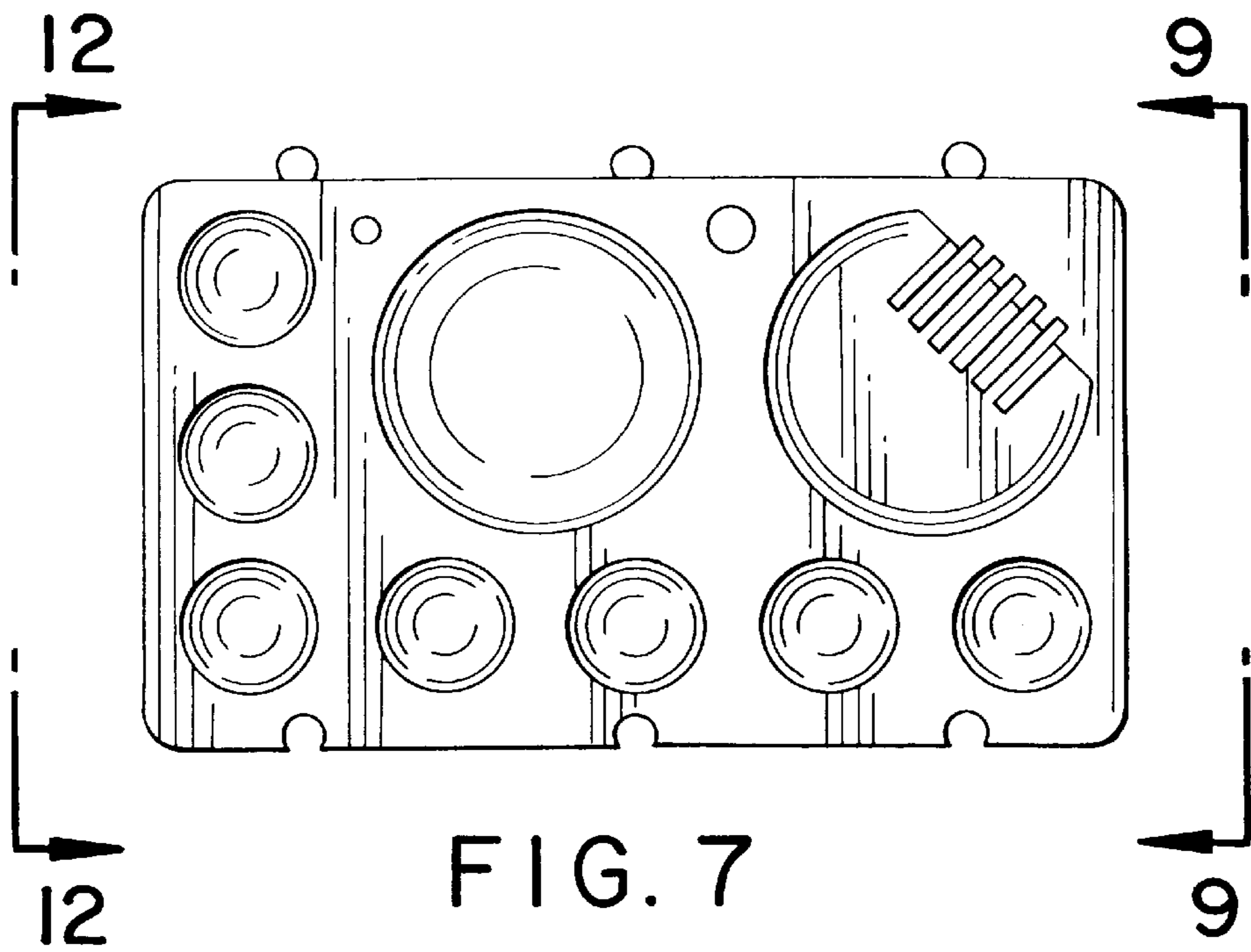


FIG. 7

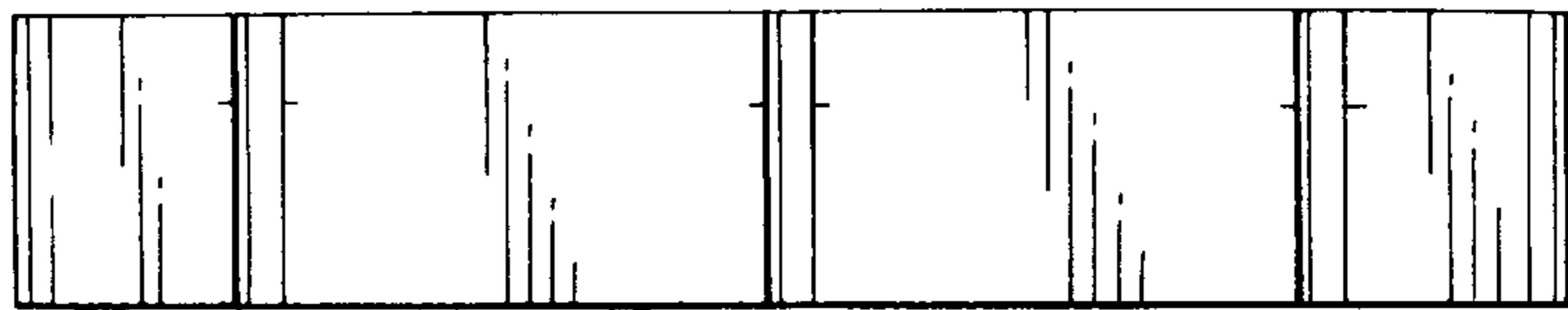


FIG. 8

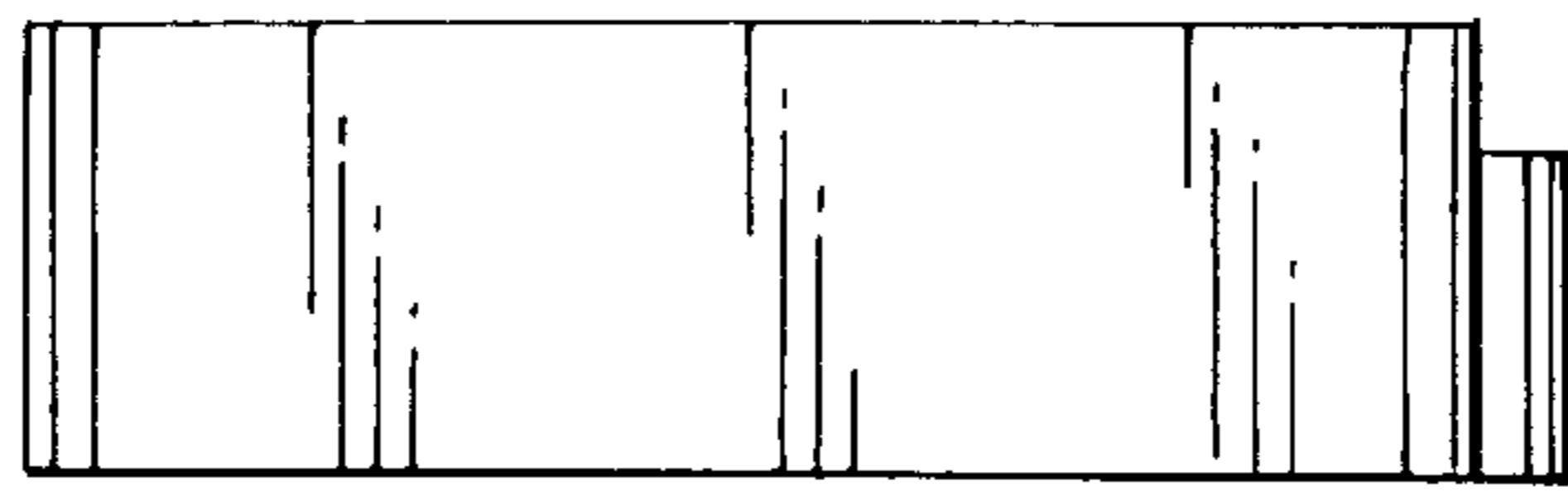


FIG. 9

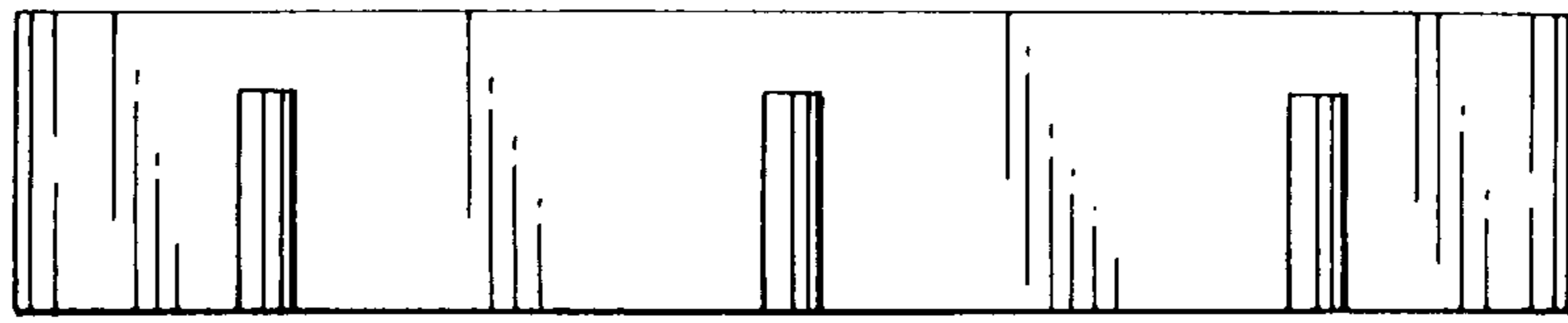


FIG. 10

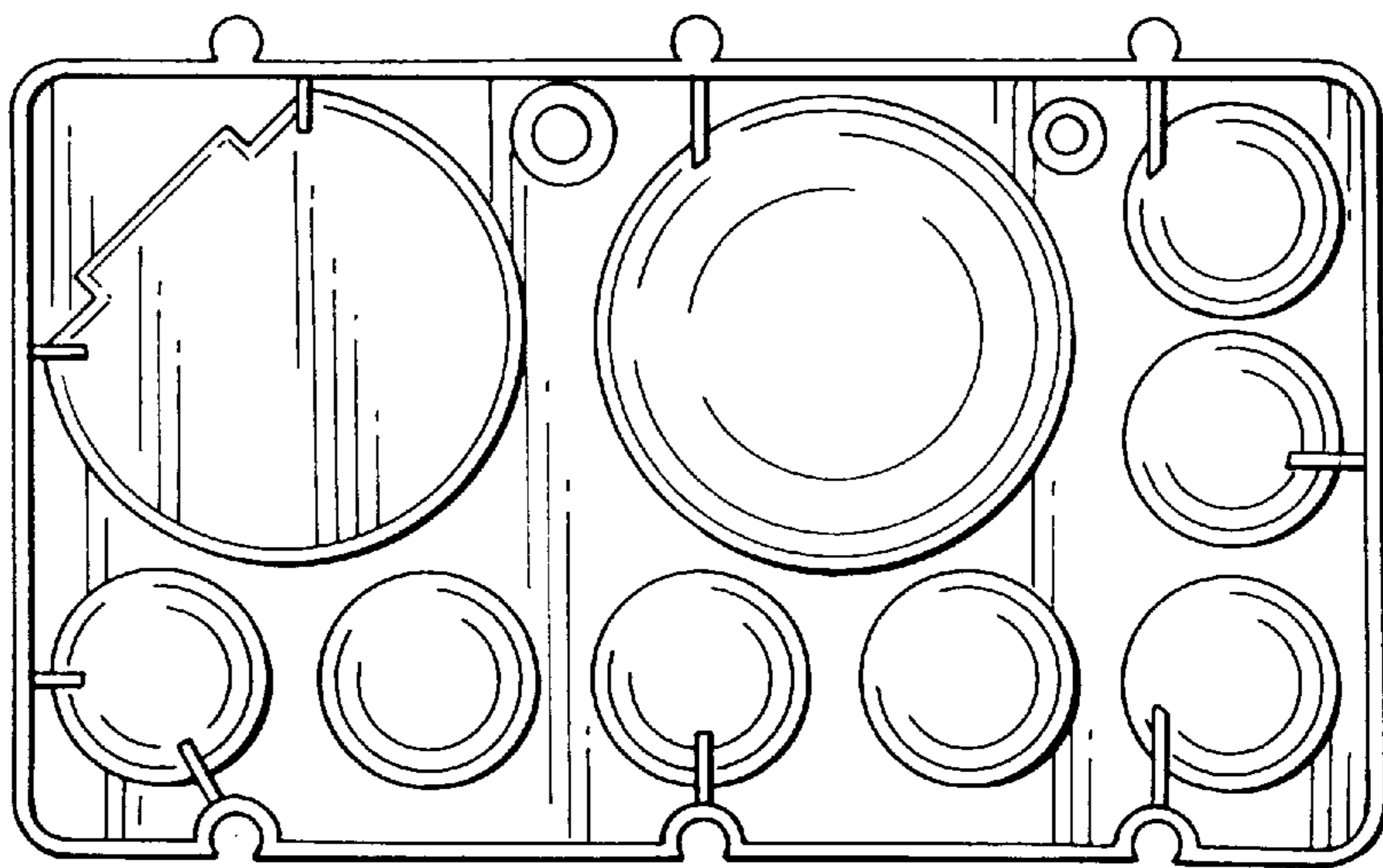


FIG. 11

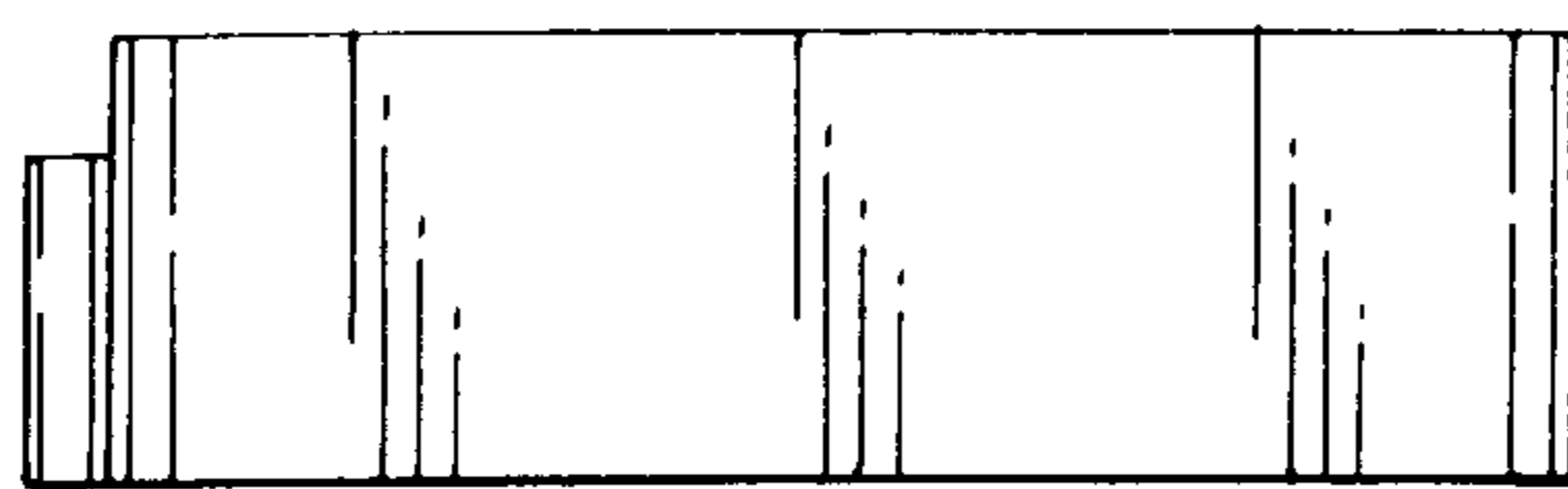


FIG. 12

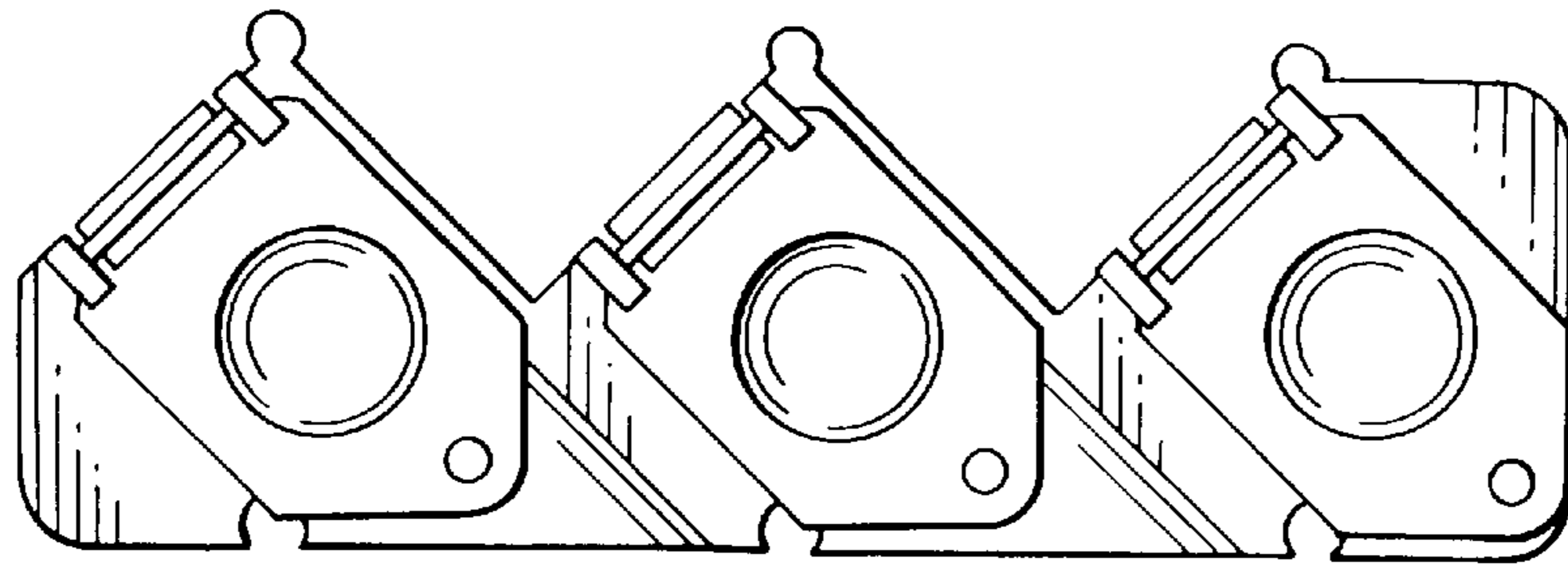


FIG. 13

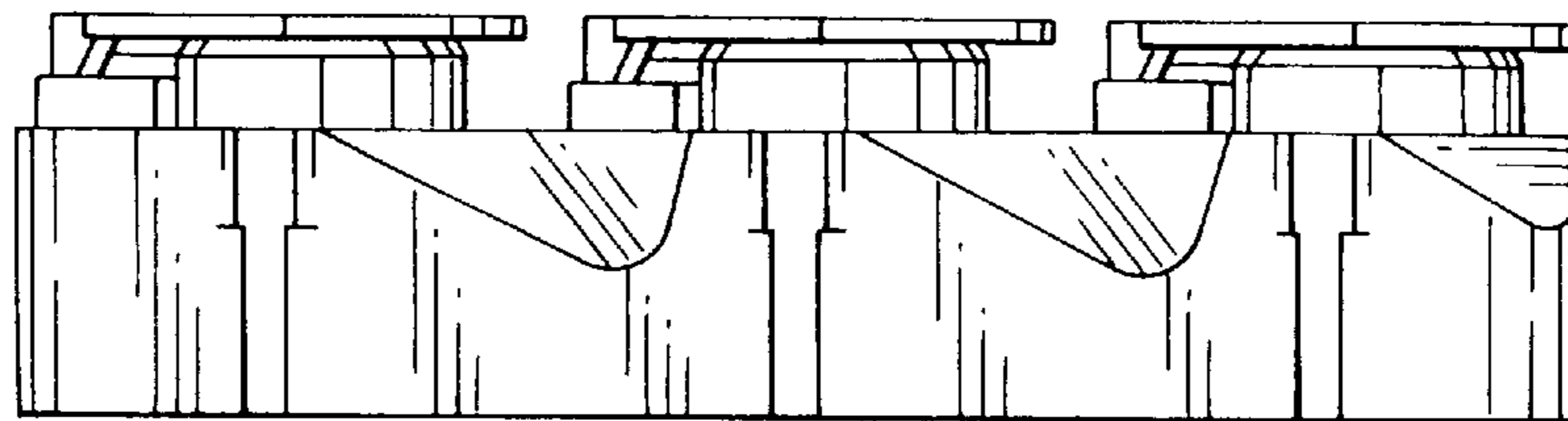


FIG. 14

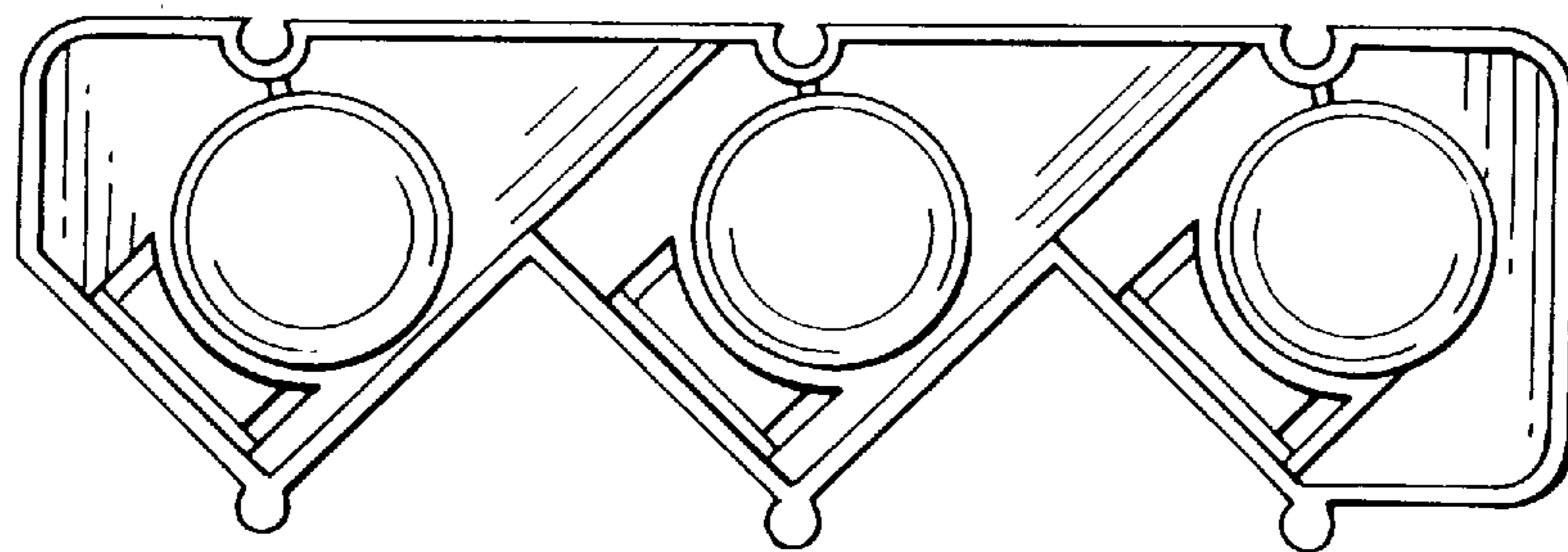


FIG. 15

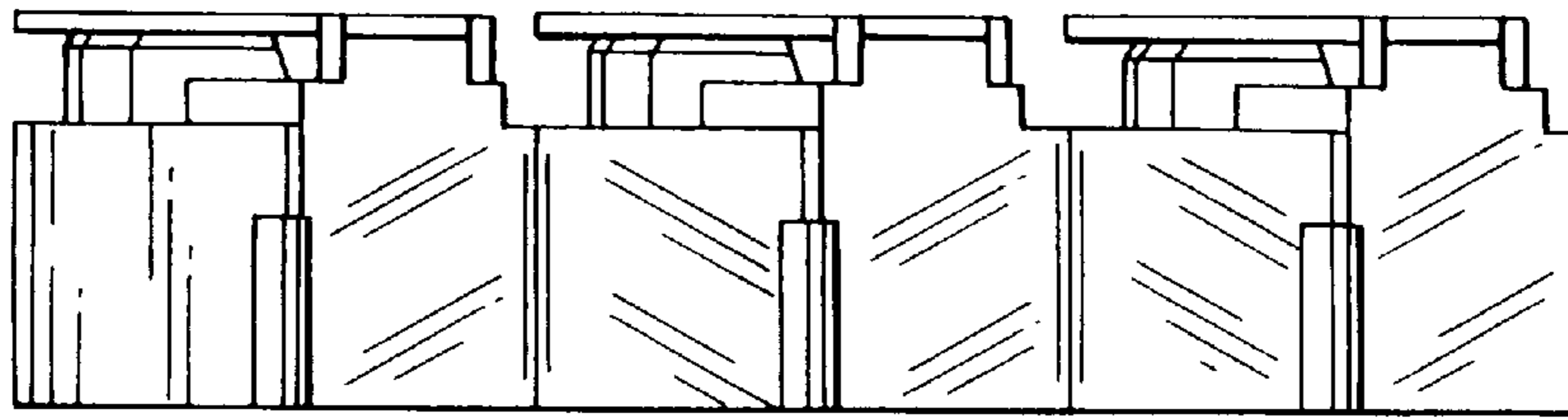


FIG. 16

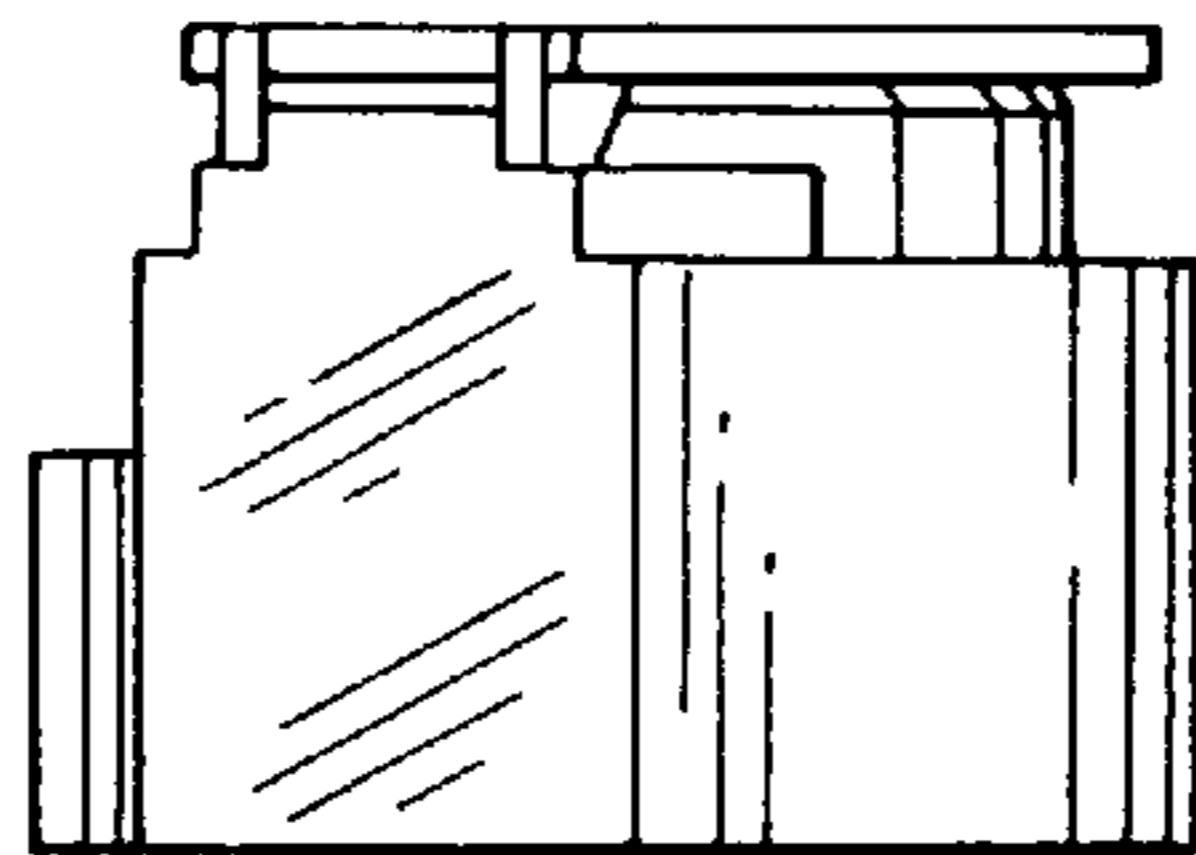


FIG. 17

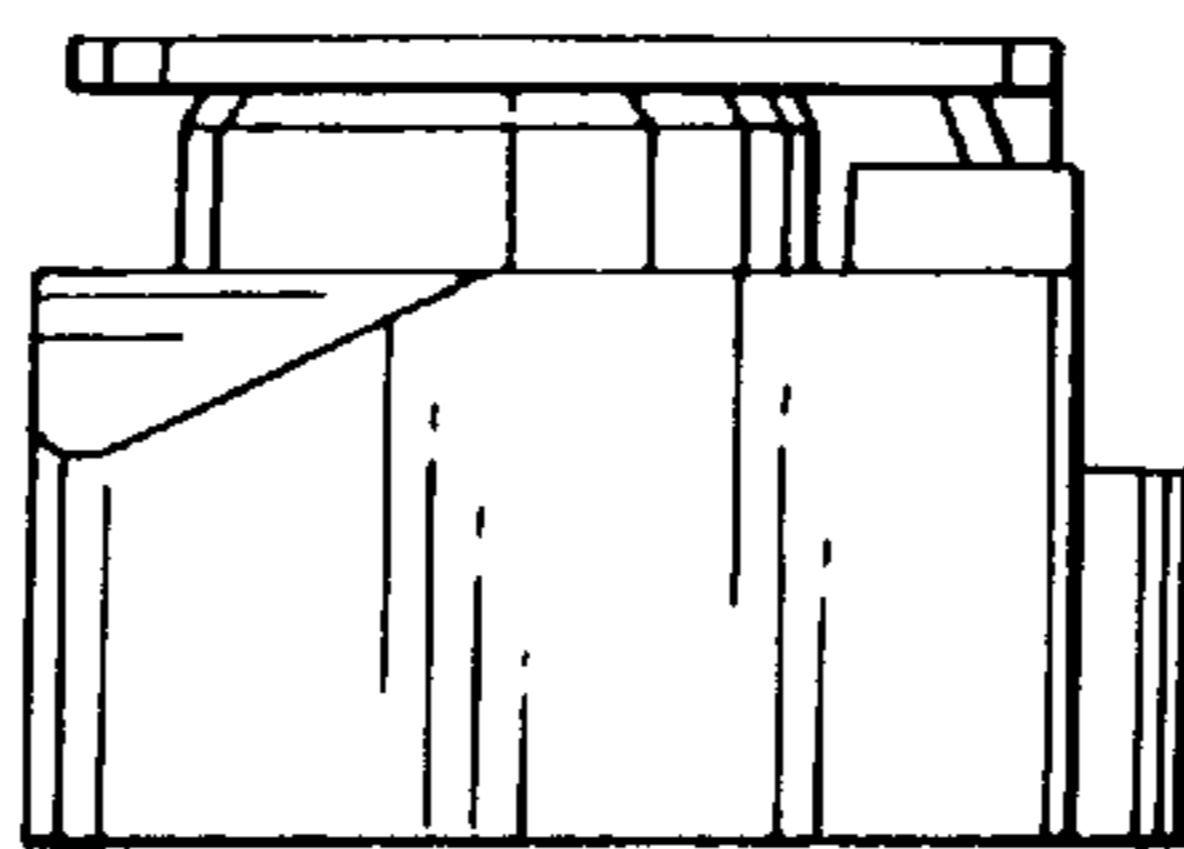


FIG. 18

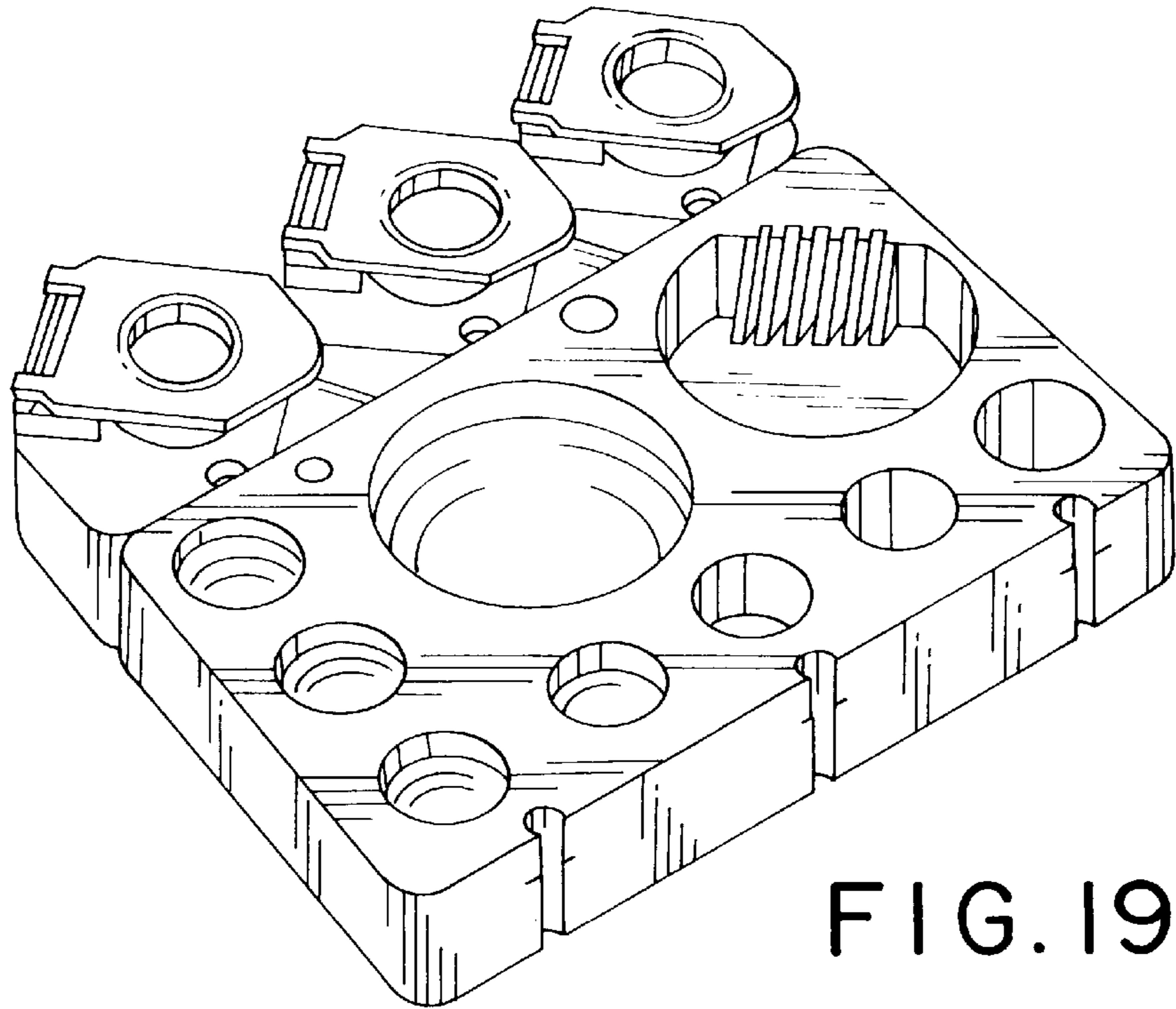


FIG. 19

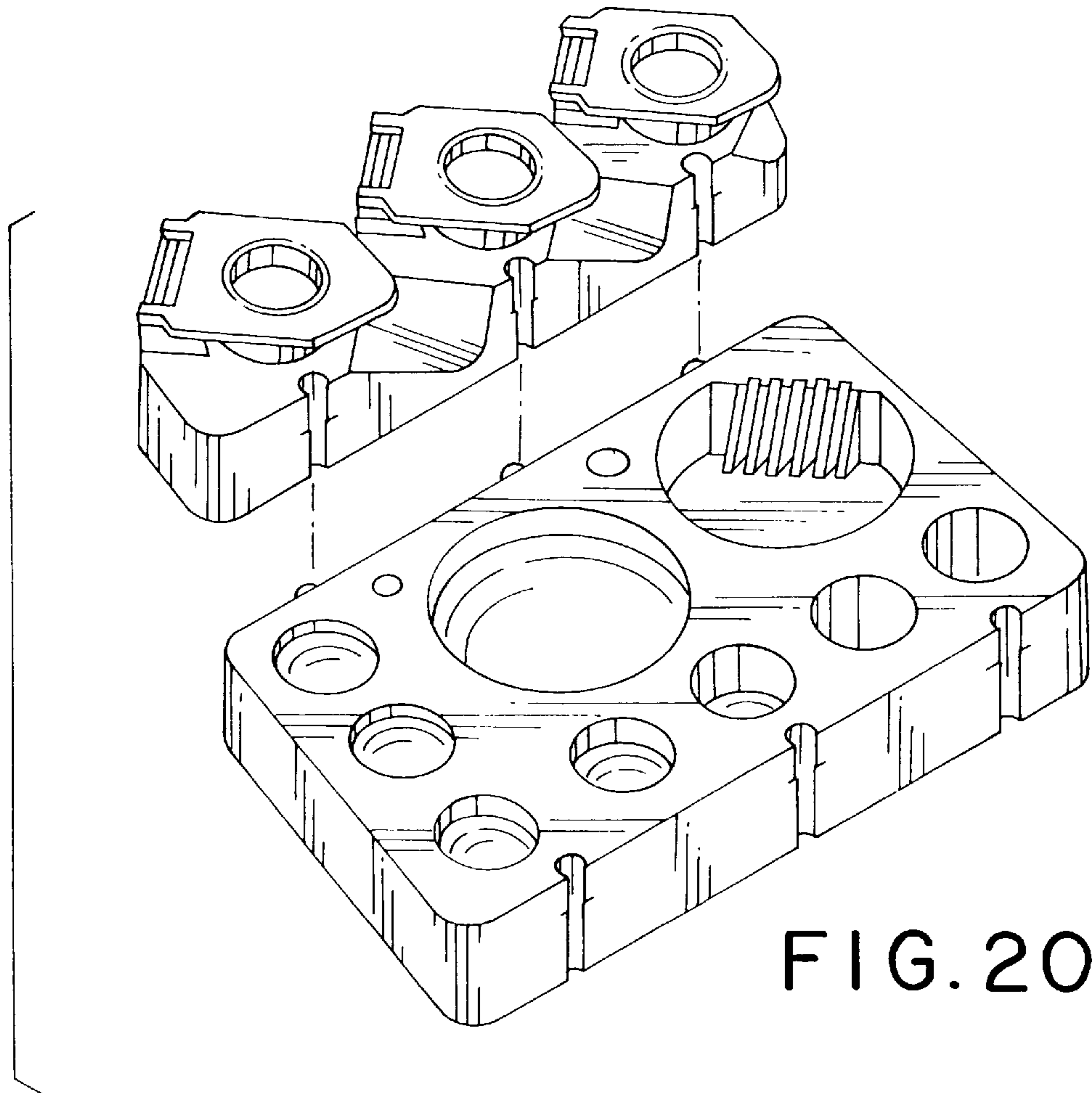


FIG. 20