



US00D408851S

United States Patent [19]

[11] **Patent Number: Des. 408,851**

To

[45] **Date of Patent: **Apr. 27, 1999**

[54] **RING BINDER**

D. 389,183	1/1998	Chan	D19/27 X
D. 392,673	3/1998	Whaley	D19/32
D. 397,146	8/1998	Chan	D19/32
798,301	8/1905	Schade, Jr.	402/26
5,378,073	1/1995	Lau	402/31

[75] Inventor: **Simon Chun Yuen To**, Hong Kong,
The Hong Kong Special Administrative
Region of the People's Republic of
China

Primary Examiner—Martie K. Holtje
Attorney, Agent, or Firm—Hall, Priddy & Myers

[73] Assignee: **World Wide Stationery
Manufacturing Company Ltd.**, Hong
Kong, The Hong Kong Special
Administrative Region of the People's
Republic of China

[57] **CLAIM**

The new original, and ornamental design for a ring binder,
as shown and described.

[**] Term: **14 Years**

DESCRIPTION

[21] Appl. No.: **29/050,649**

FIG. 1 shows a perspective view of the ring binder;
FIG. 2 shows a side view of the ring binder;
FIG. 3 shows a top view of the ring binder;
FIG. 4 shows a view from one end the ring binder;
FIG. 5 shows a bottom view of the ring binder;
FIG. 6 shows a view from a second side of the ring binder;
and,
FIG. 7 shows a view from one end of the ring binder.

[22] Filed: **Feb. 21, 1996**

[51] **LOC (6) Cl.** **19-04**

[52] **U.S. Cl.** **D19/32; D19/27**

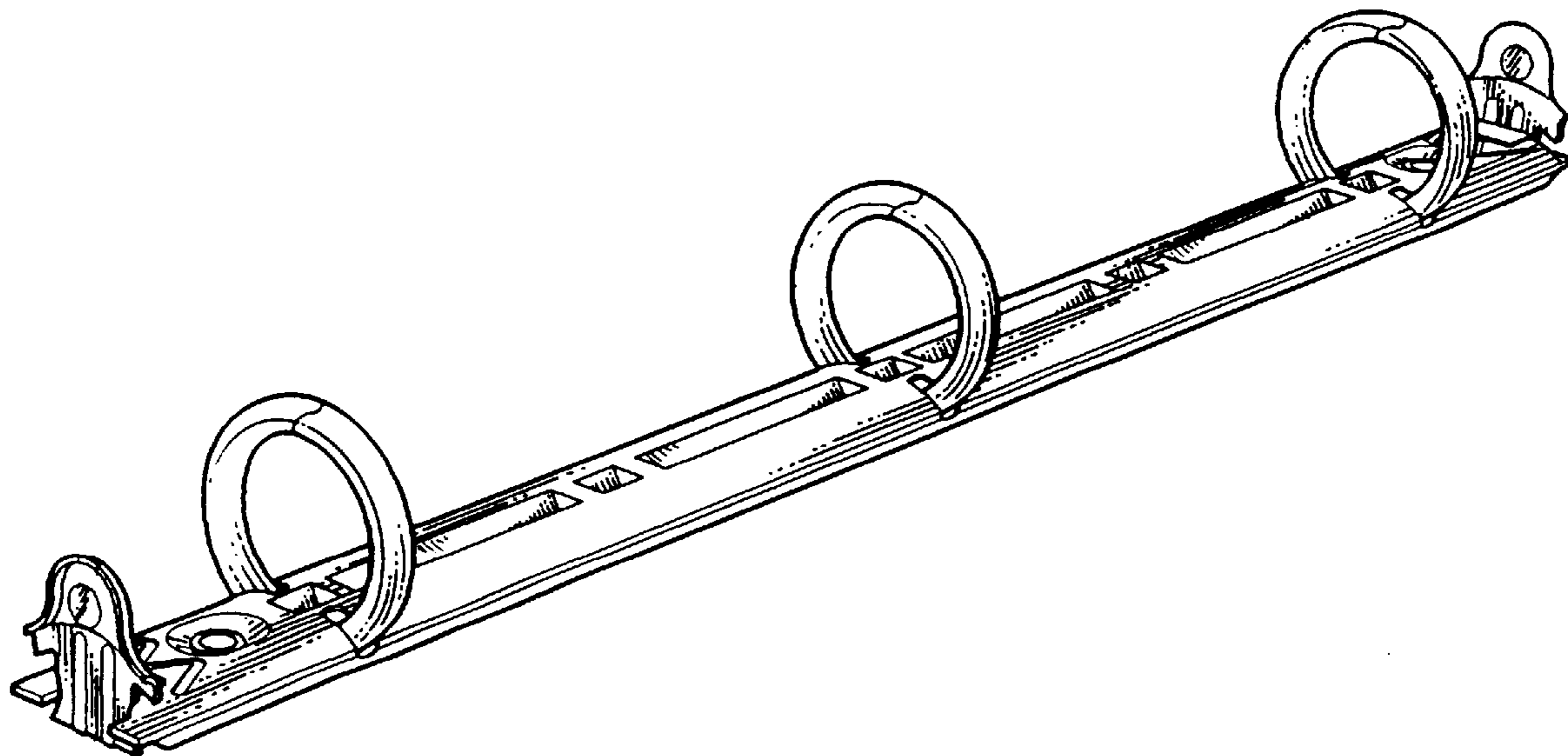
[58] **Field of Search** 19/65, 26, 27,
19/28, 32, 33, 99, 100; 281/15.1, 21.1,
22, 27.1, 27.2, 27.3, 28, 45, 51; 402/3,
4, 26, 31, 37, 39, 41, 60, 70, 73, 75, 80 R

[56] **References Cited**

U.S. PATENT DOCUMENTS

D. 382,593 8/1997 To D19/32

1 Claim, 3 Drawing Sheets



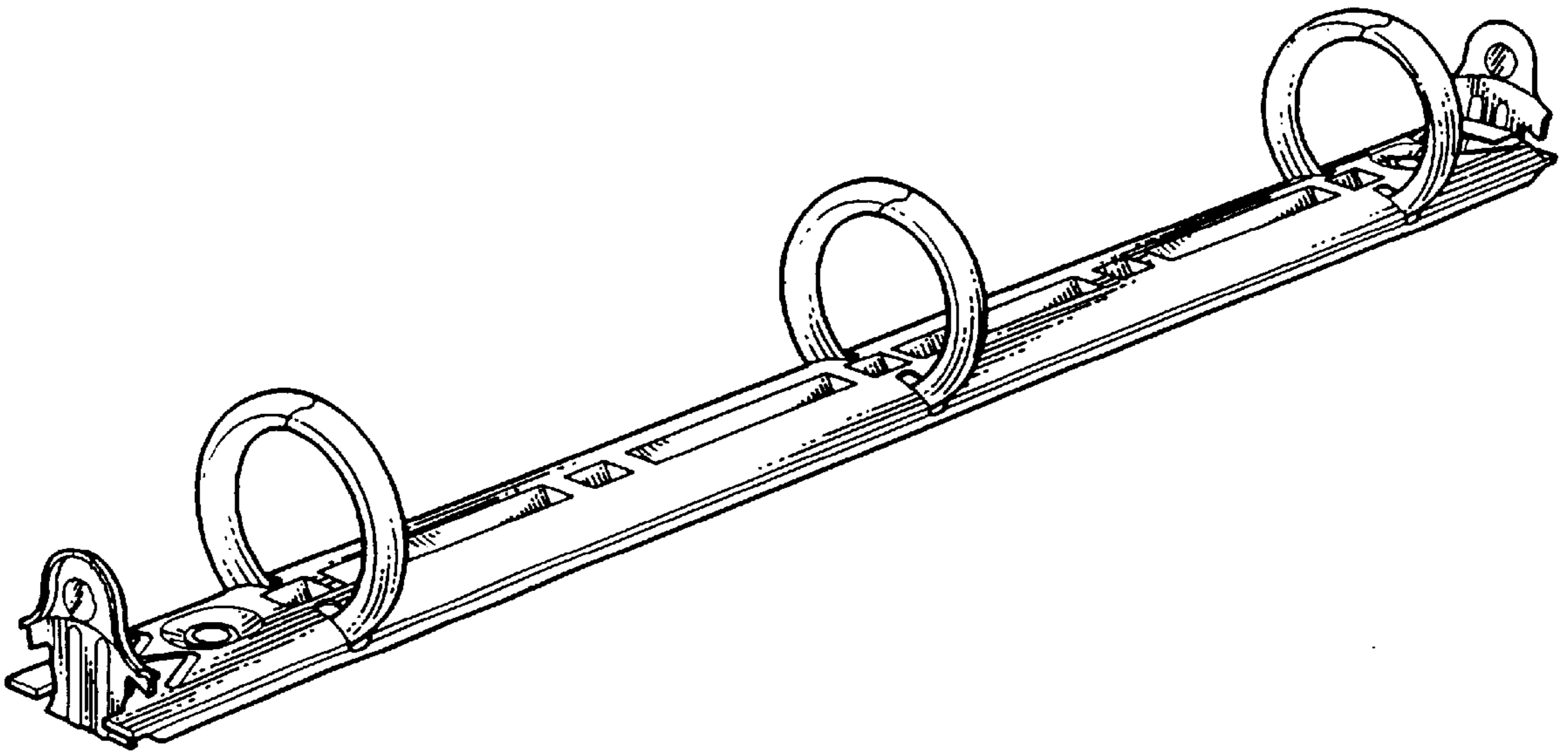


FIG. 1

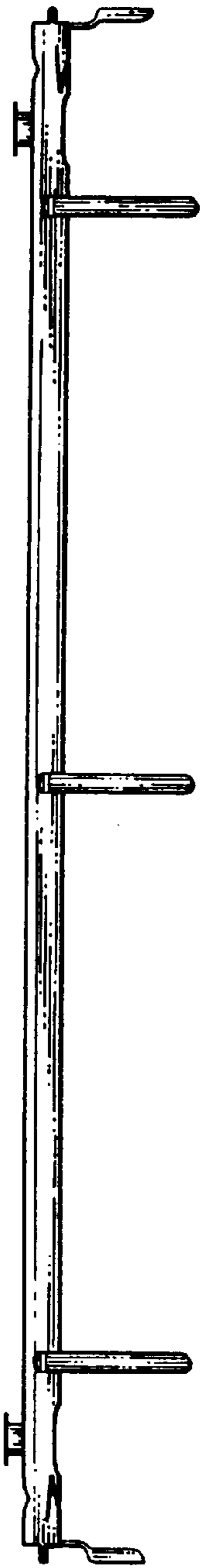


FIG. 2

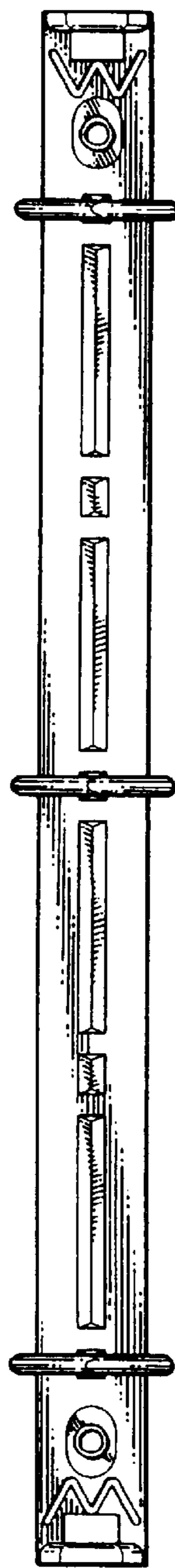


FIG. 3

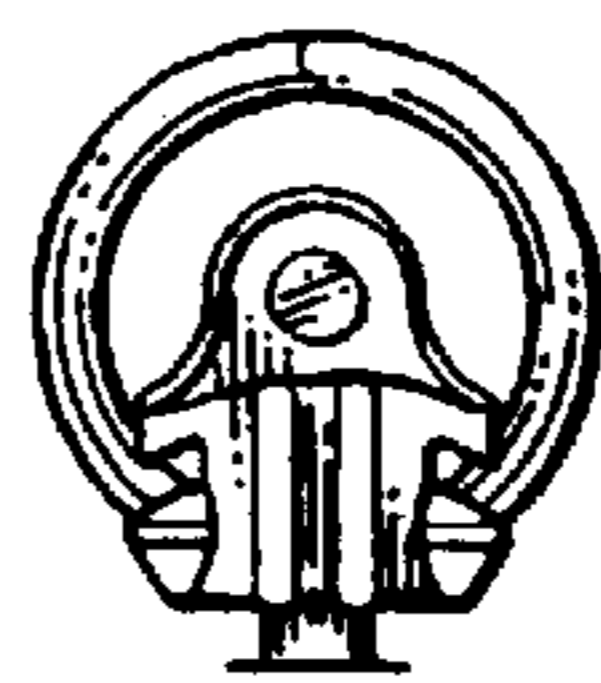


FIG. 4

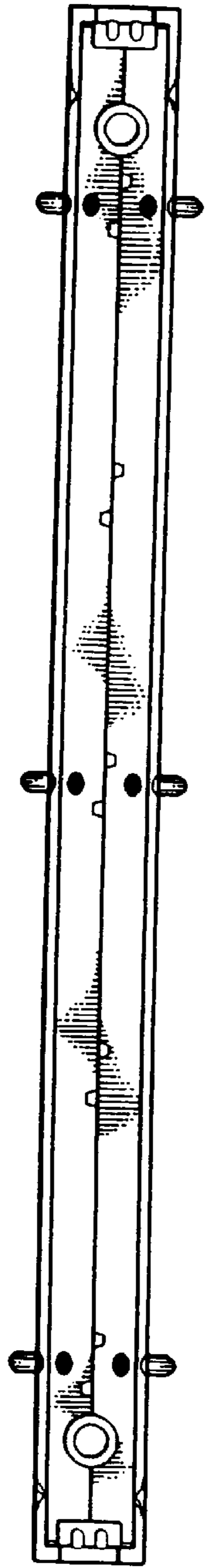


FIG. 5

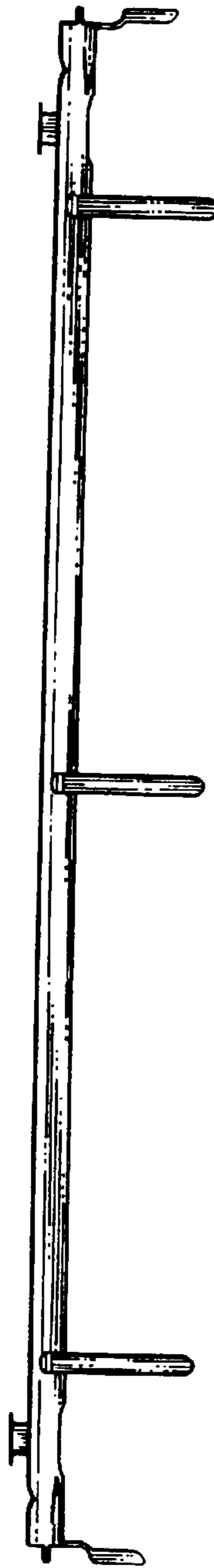


FIG. 6

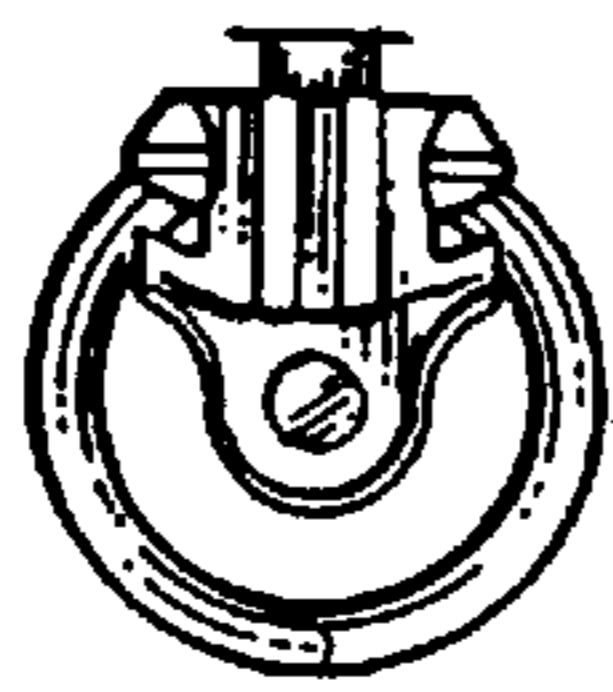


FIG. 7