



US00D408848S

United States Patent [19]

Flores et al.

[11] Patent Number: **Des. 408,848**

[45] Date of Patent: ****Apr. 27, 1999**

[54] **PRINTER**

[75] Inventors: **Antonio Flores; Josep Casadella**, both of Cerdanyola del Valles; **Felix Ruiz; Manel Martinez**, both of Sant Cugat del Valles, all of Spain

[73] Assignee: **Hewlett-Packard Company**, Palo Alto, Calif.

[**] Term: **14 Years**

[21] Appl. No.: **29/076,097**

[22] Filed: **Sep. 2, 1997**

[30] **Foreign Application Priority Data**

Mar. 3, 1997 [ES] Spain 139616

[51] **LOC (6) Cl.** **18-03**

[52] **U.S. Cl.** **D18/53; D18/50**

[58] **Field of Search** D18/50, 53, 54, D18/56, 39, 55; 346/136, 145; 395/103; D10/63

[56] **References Cited**

U.S. PATENT DOCUMENTS

D. 332,623 1/1993 Iwanaga D18/53

D. 340,066 10/1993 Iwanaga D18/53
D. 342,907 1/1994 Kamatsuda D10/63
D. 347,239 5/1994 Okamoto et al. D18/53
4,734,716 3/1988 Silverberg et al. 346/136
4,996,651 2/1991 Wells 395/103

Primary Examiner—Louis S. Zarfes

Assistant Examiner—G. Andoll

[57] **CLAIM**

The ornamental design for a printer, as shown and described.

DESCRIPTION

FIG. 1 is a front view of a printer, showing my new design; FIG. 2 is a view of one side of the printer illustrated in FIG. 1;

FIG. 3 is a top view of the printer illustrated in FIG. 1.

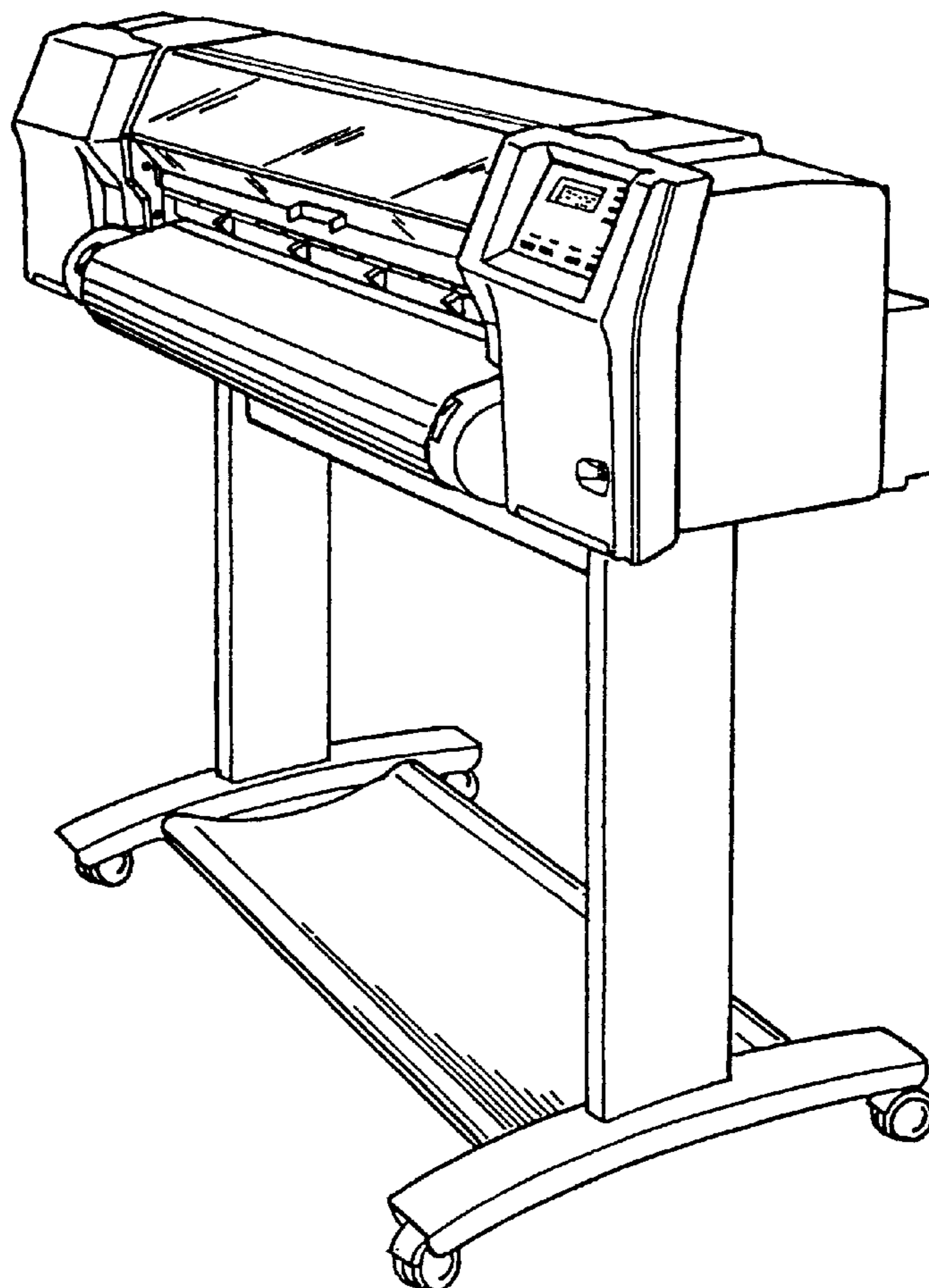
FIG. 4 is a view of another side of the printer illustrated in FIG. 1;

FIG. 5 is a rear view of the printer illustrated in FIG. 1;

FIG. 6 is a perspective view looking into the front and one side of the printer illustrated in FIG. 1; and,

FIG. 7 is another perspective view looking into the front and another side of the printer illustrated in FIG. 1.

1 Claim, 7 Drawing Sheets



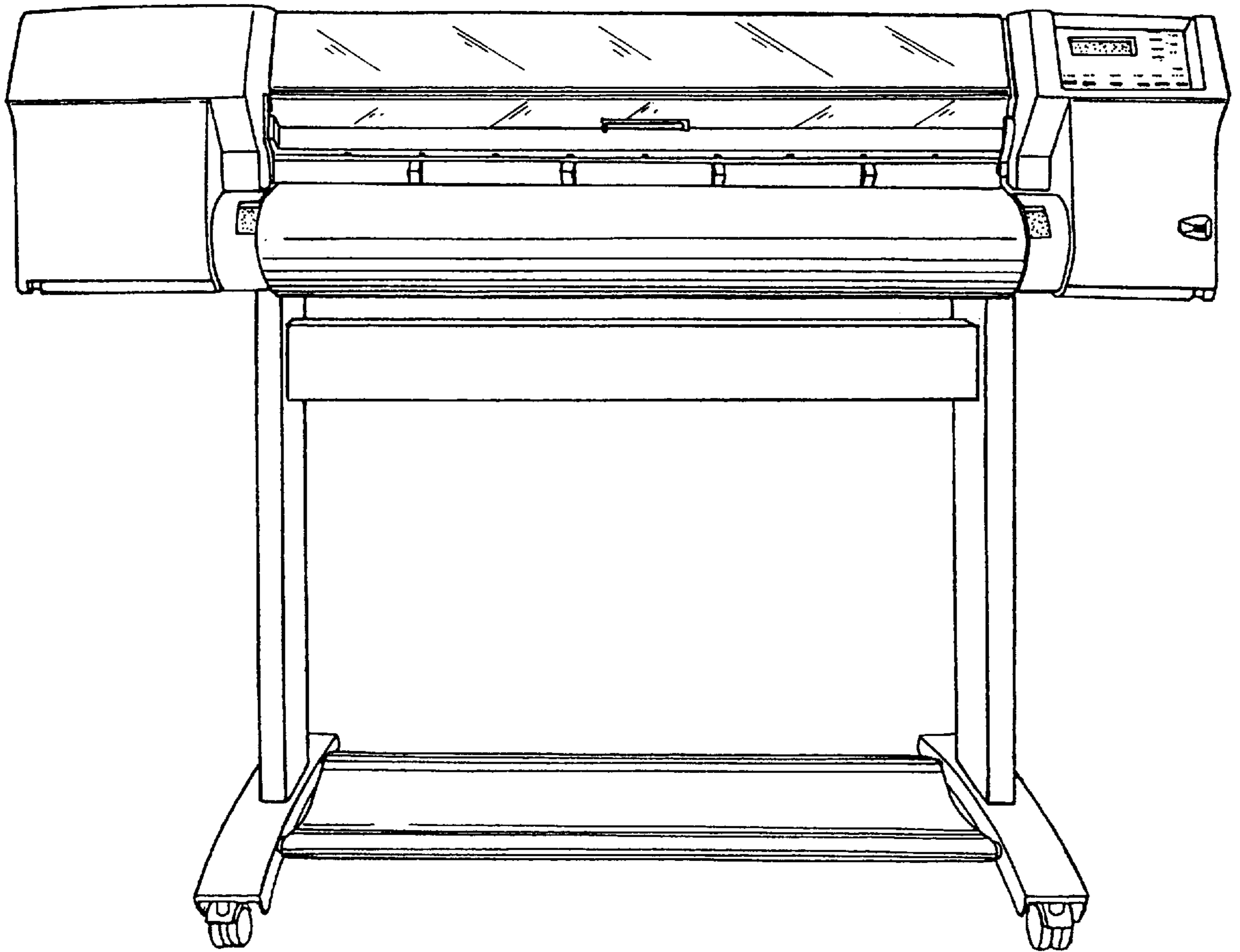


FIG. 1

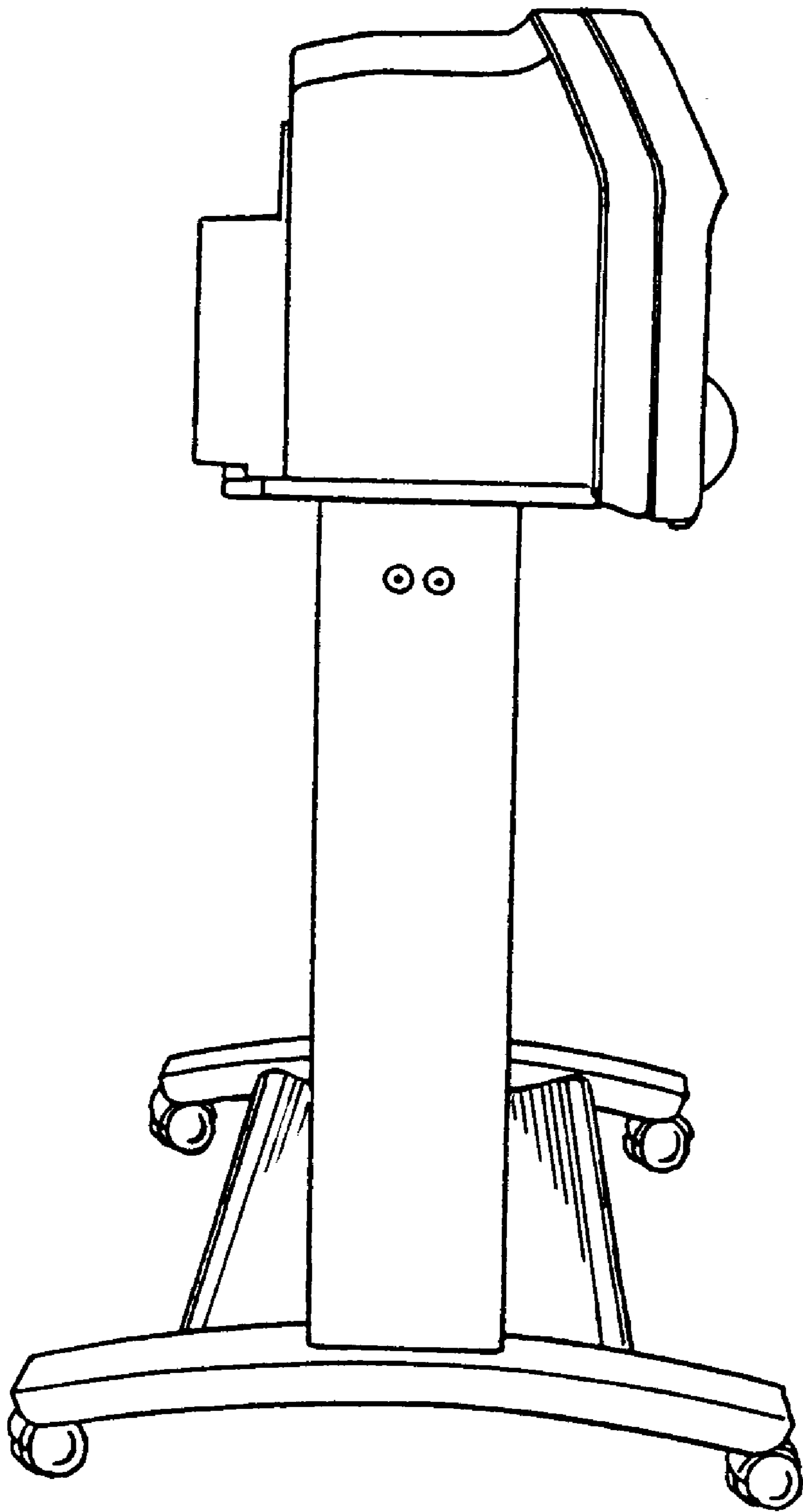


FIG. 2

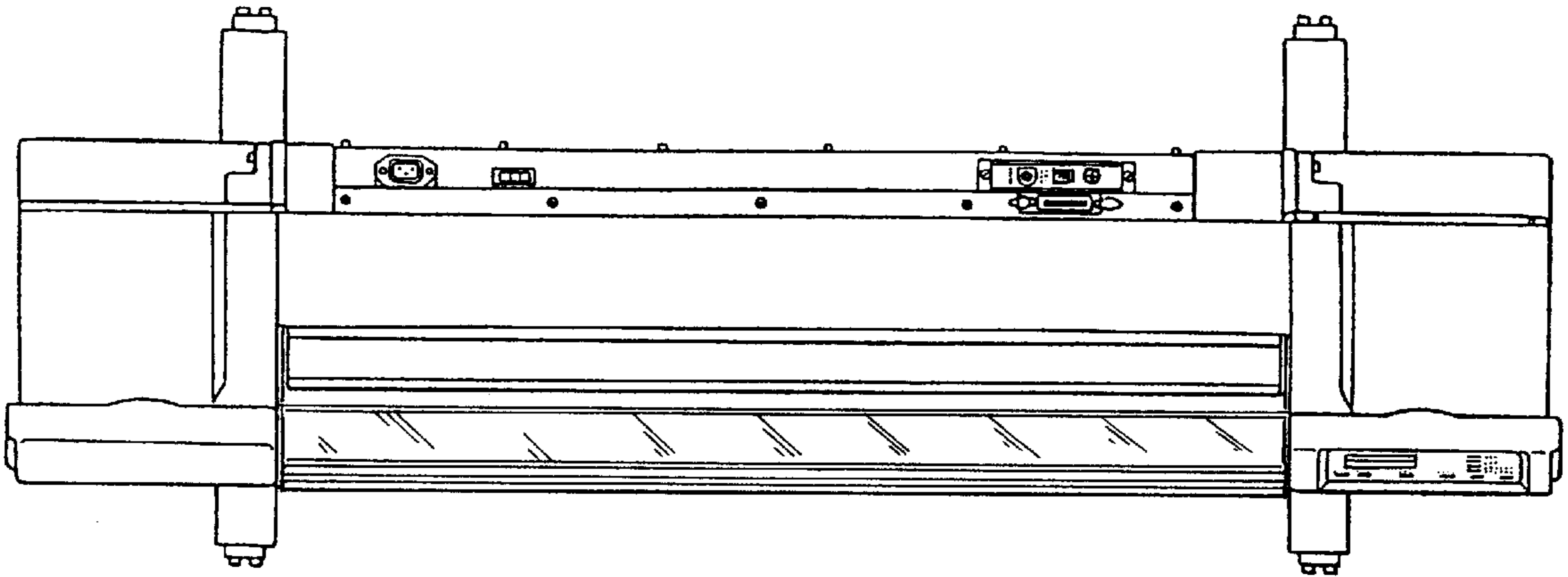


FIG. 3

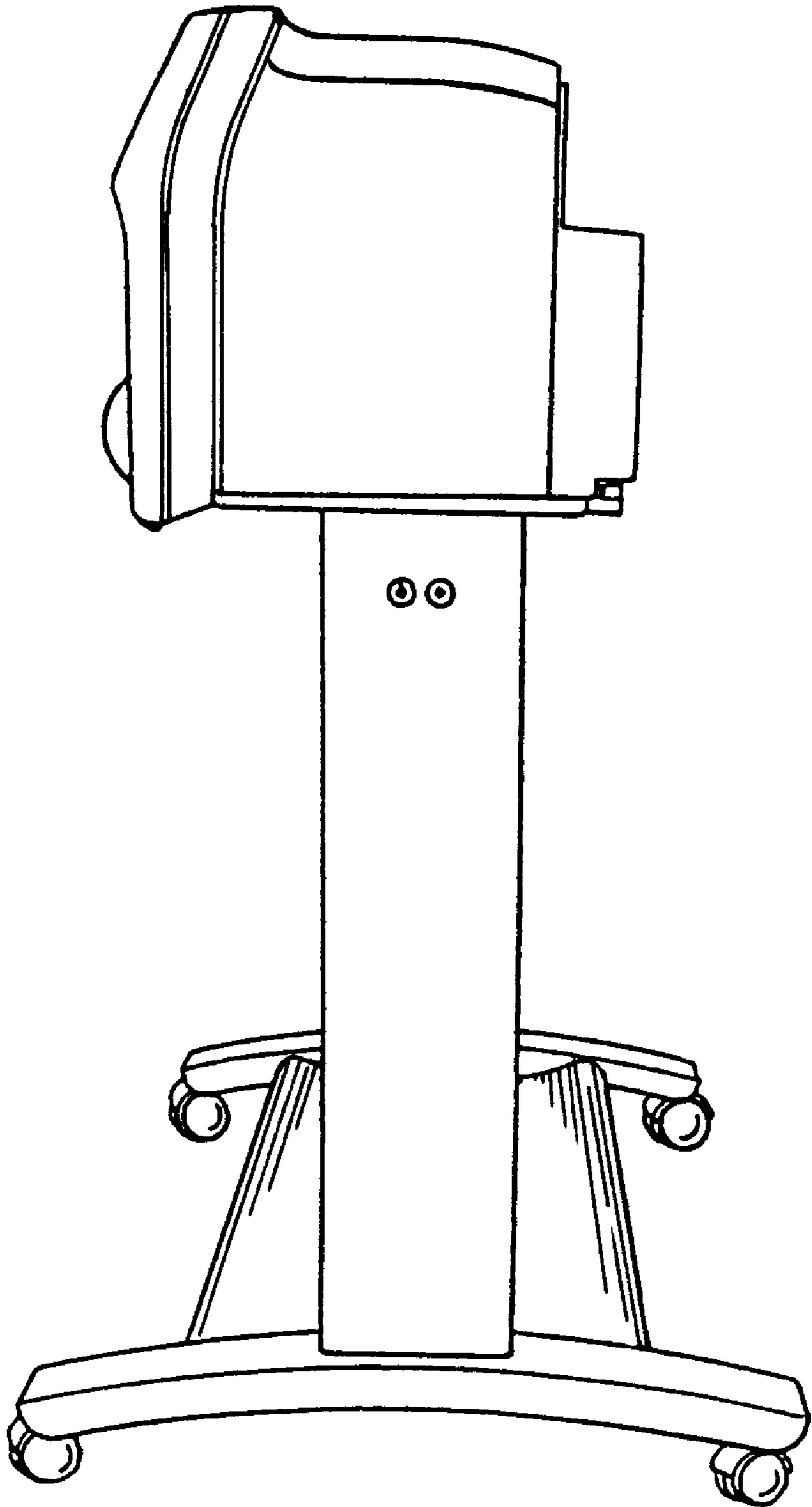


FIG. 4

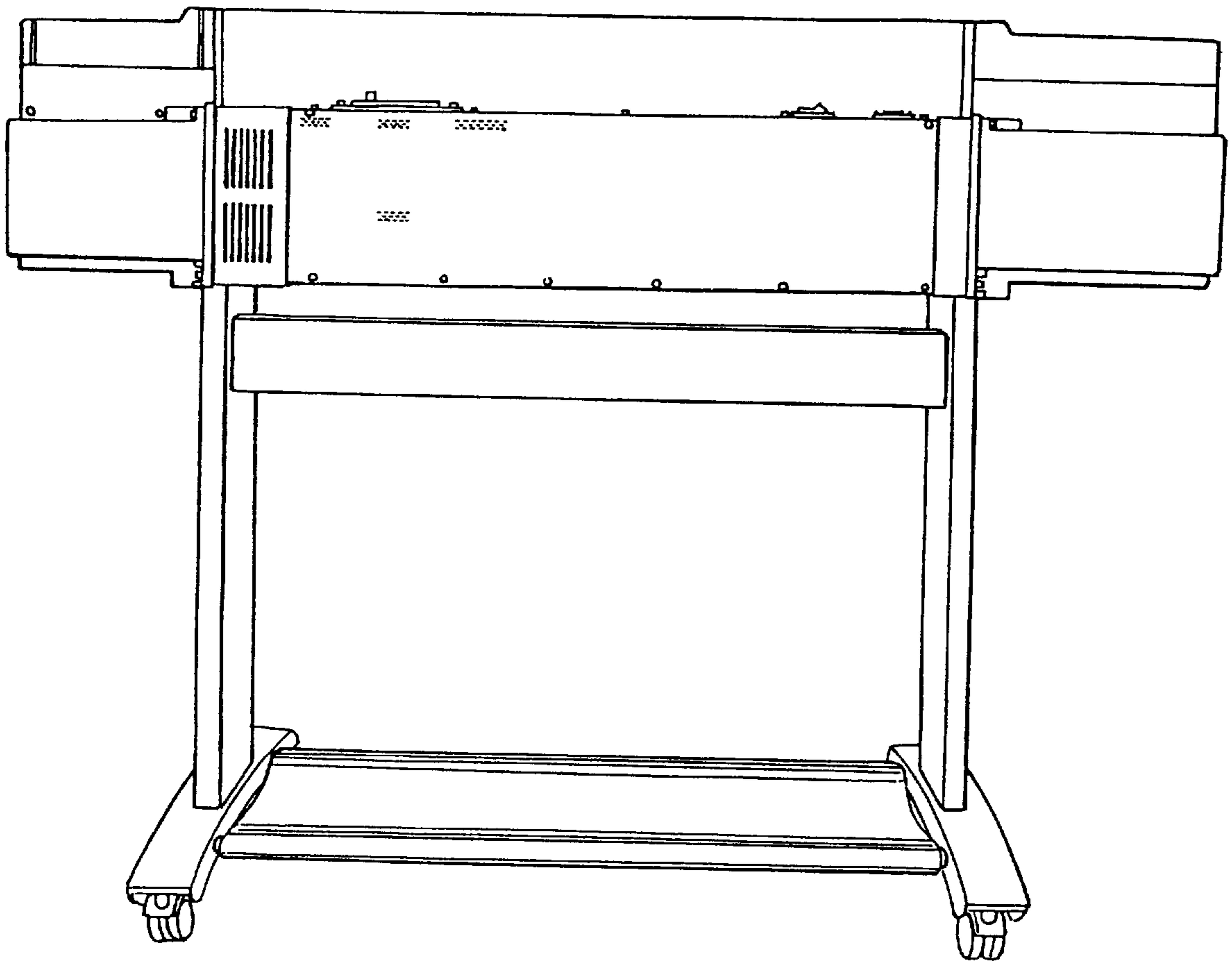


FIG. 5

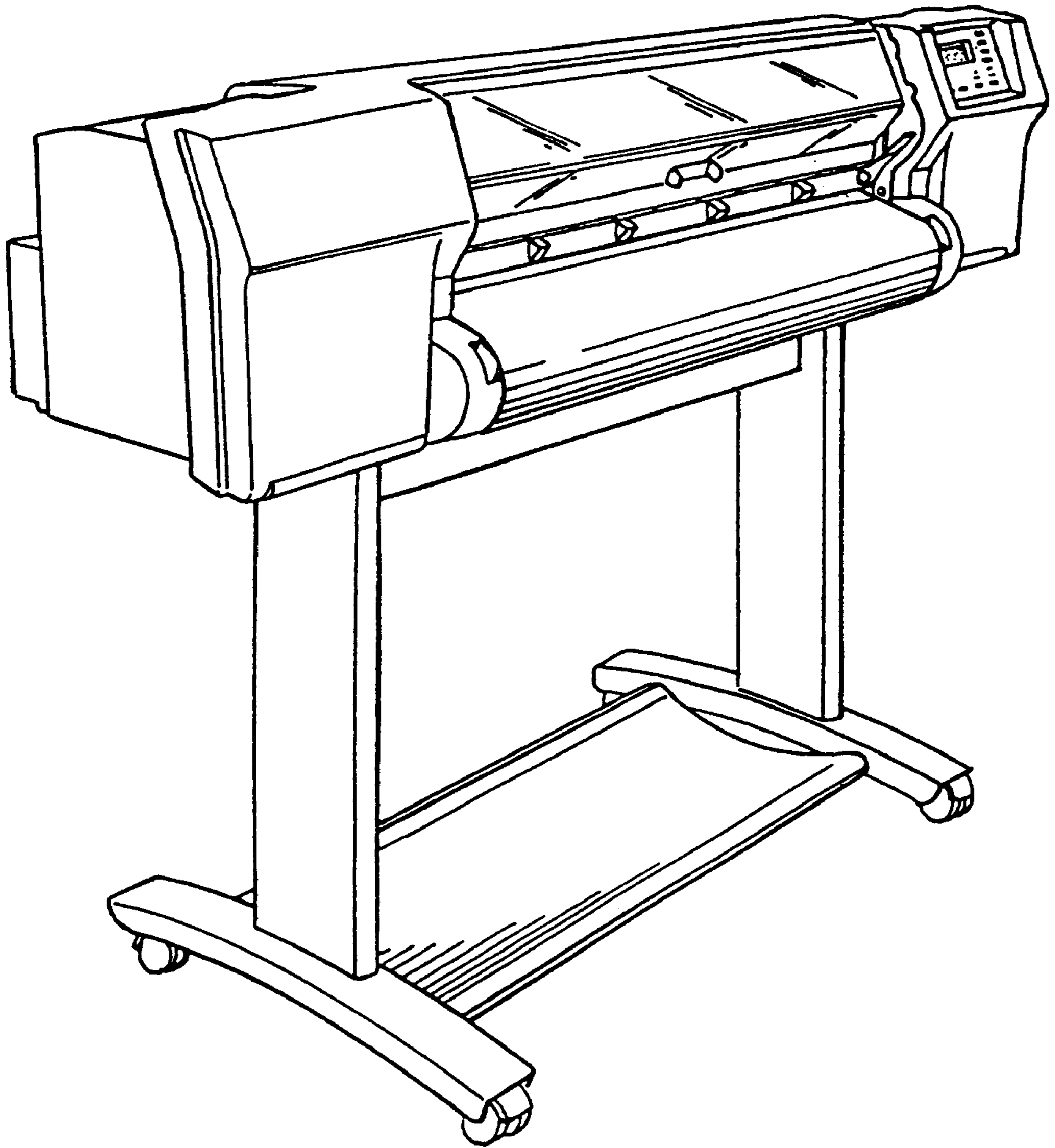


FIG. 6

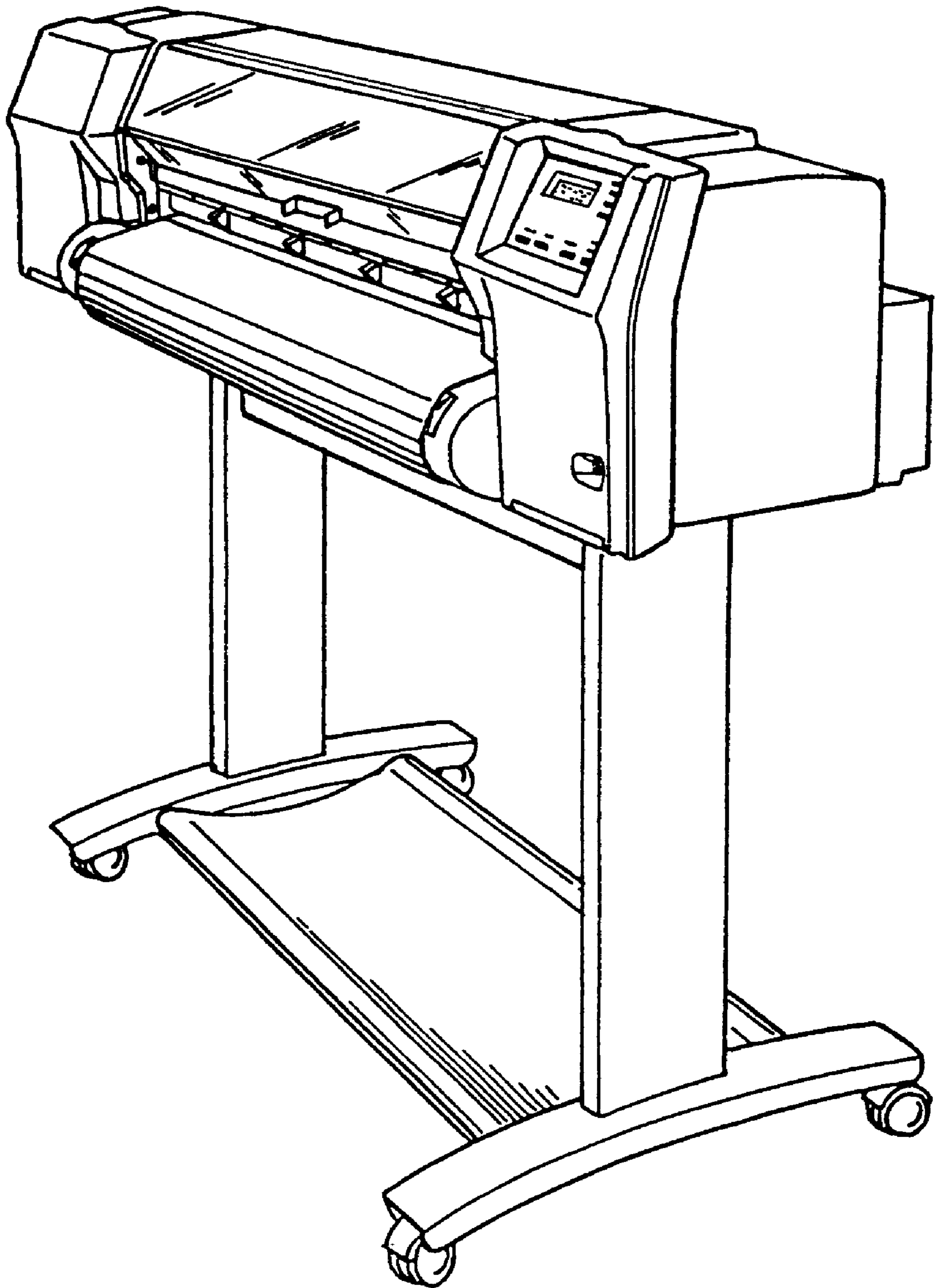


FIG. 7