



US00D408837S

United States Patent [19]
Gotham et al.

[11] **Patent Number: Des. 408,837**

[45] **Date of Patent: **Apr. 27, 1999**

[54] **FILM SCANNER**

[75] Inventors: **David R. Gotham**, Rochester; **Thomas D. Jensen**, Holley; **Dana A. Carlile**, Webster, all of N.Y.

[73] Assignee: **Eastman Kodak Company**, Rochester, N.Y.

[**] Term: **14 Years**

[21] Appl. No.: **29/079,558**

[22] Filed: **Nov. 14, 1997**

[51] **LOC (6) Cl.** **16-04**

[52] **U.S. Cl.** **D16/246**

[58] **Field of Search** D14/107, 105,
D14/114; D16/246-50; 250/566, 568; 355/64-5;
358/408, 474, 497; 348/96-112

[56] **References Cited**

U.S. PATENT DOCUMENTS

D. 322,978 1/1992 Yamamoto D16/225

D. 368,256 3/1996 Stropkay et al. D14/107
D. 371,565 7/1996 Betts et al. D16/246
D. 386,776 11/1997 Hirabayashi D16/246

Primary Examiner—M. H. Tung
Attorney, Agent, or Firm—Francis H. Boos, Jr.

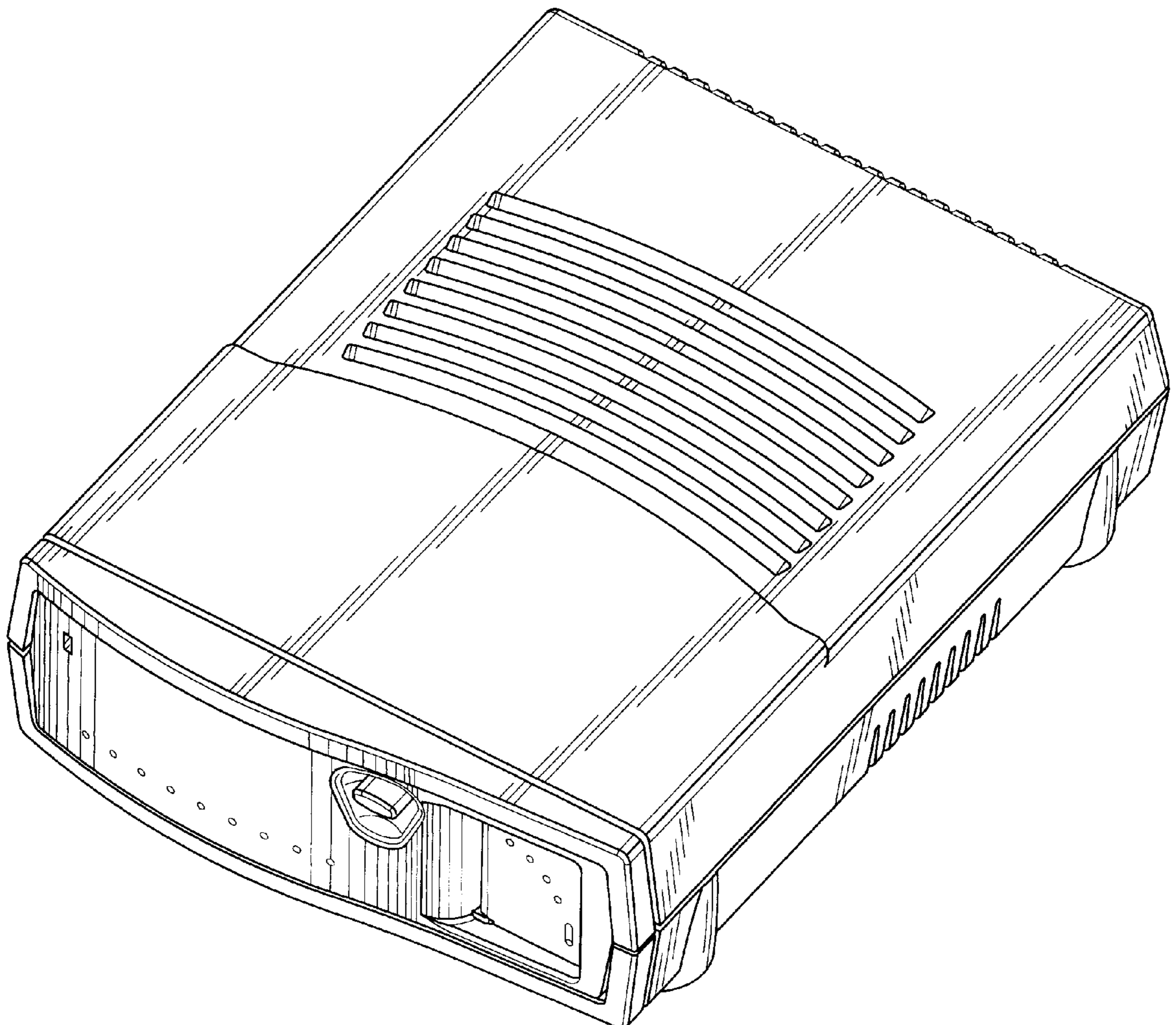
[57] **CLAIM**

The ornamental design for a film scanner, as shown and described.

DESCRIPTION

FIG. 1 is a front, top, right-side perspective view of a film scanner showing our new design;
FIG. 2 is a rear, top, right-side perspective view thereof;
FIG. 3 is a front elevational view thereof;
FIG. 4 is a rear elevational view thereof;
FIG. 5 is a top plan view thereof;
FIG. 6 is a bottom plan view thereof;
FIG. 7 is a right-side elevation view thereof; and,
FIG. 8 is a left-side elevation view thereof.

1 Claim, 8 Drawing Sheets



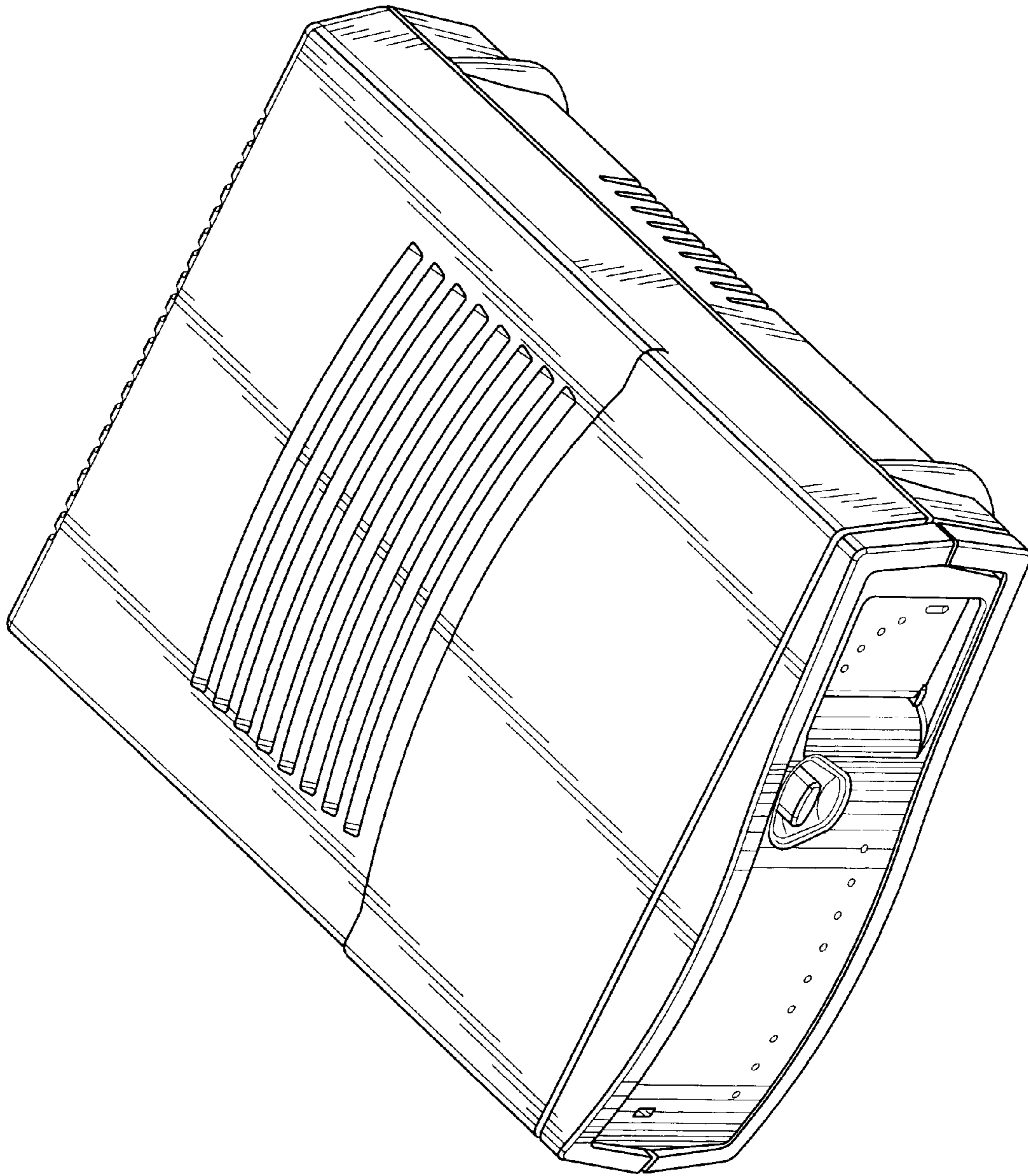


FIG. 1

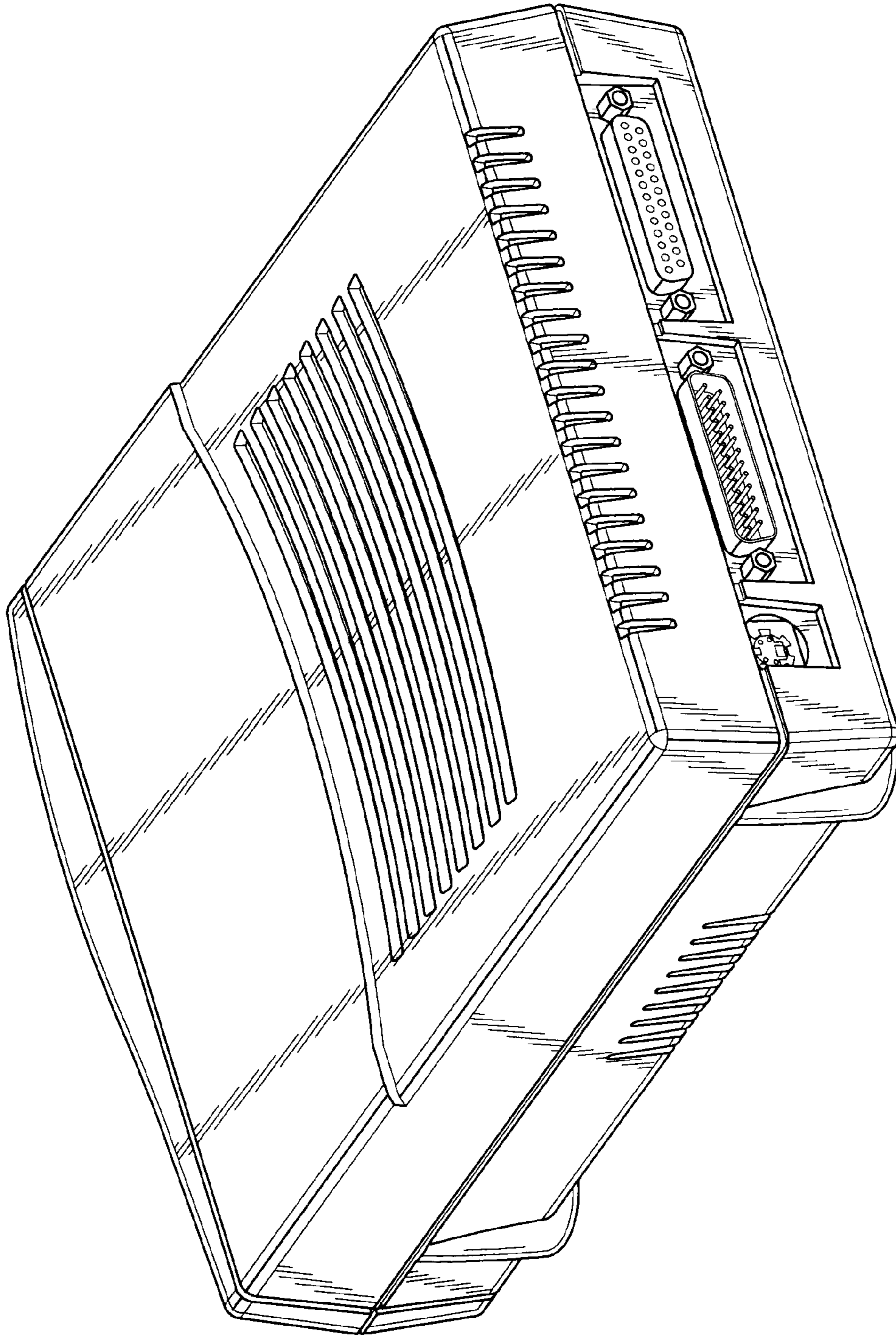


FIG. 2

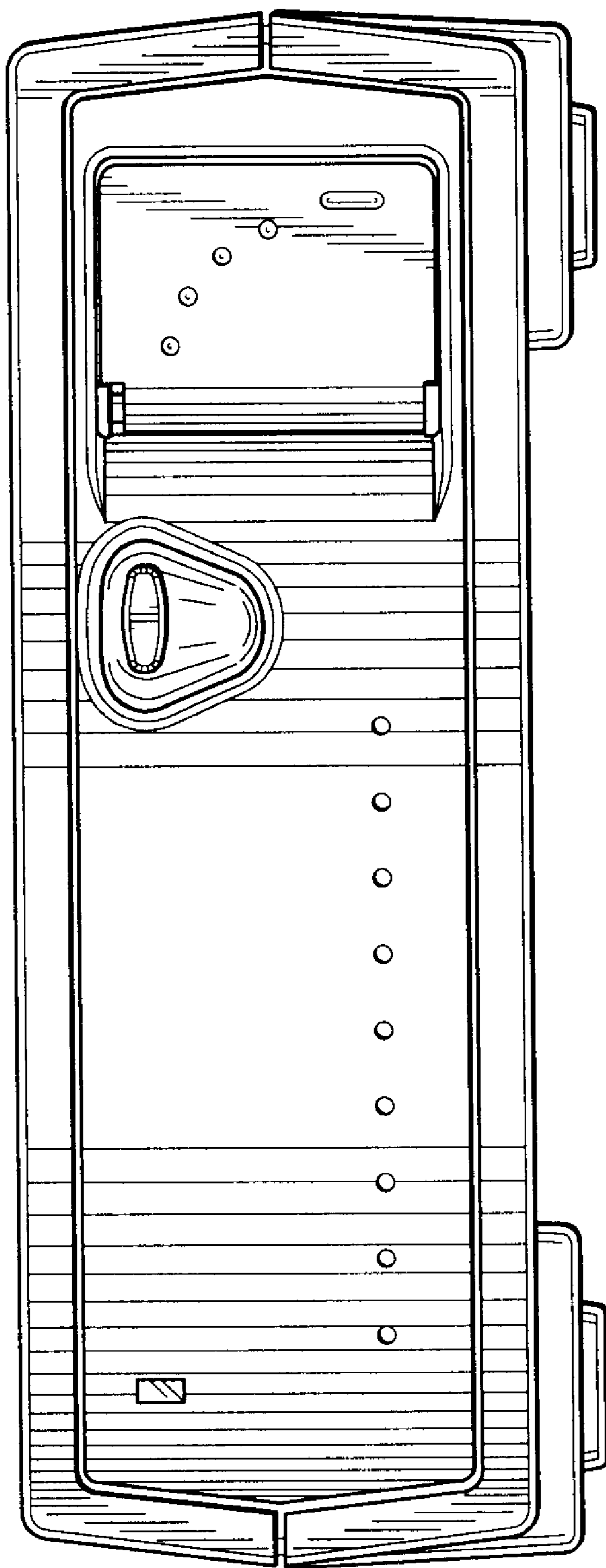


FIG. 3

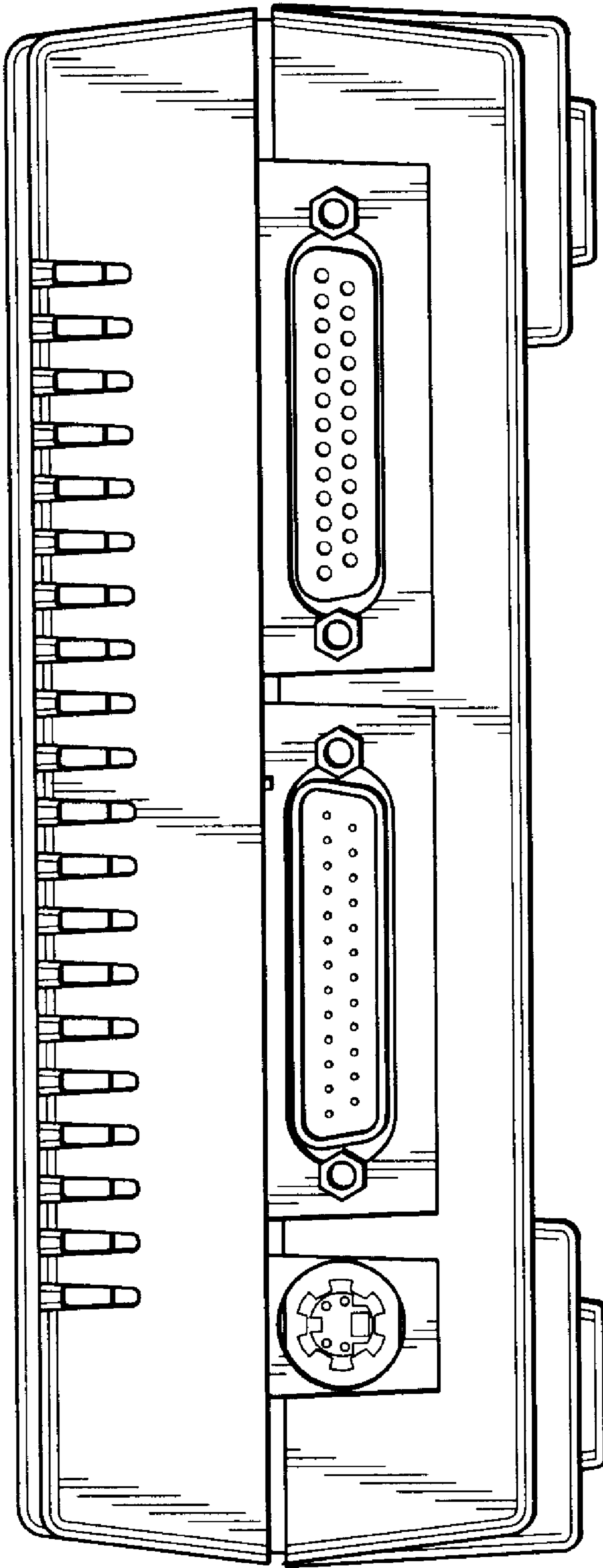


FIG. 4

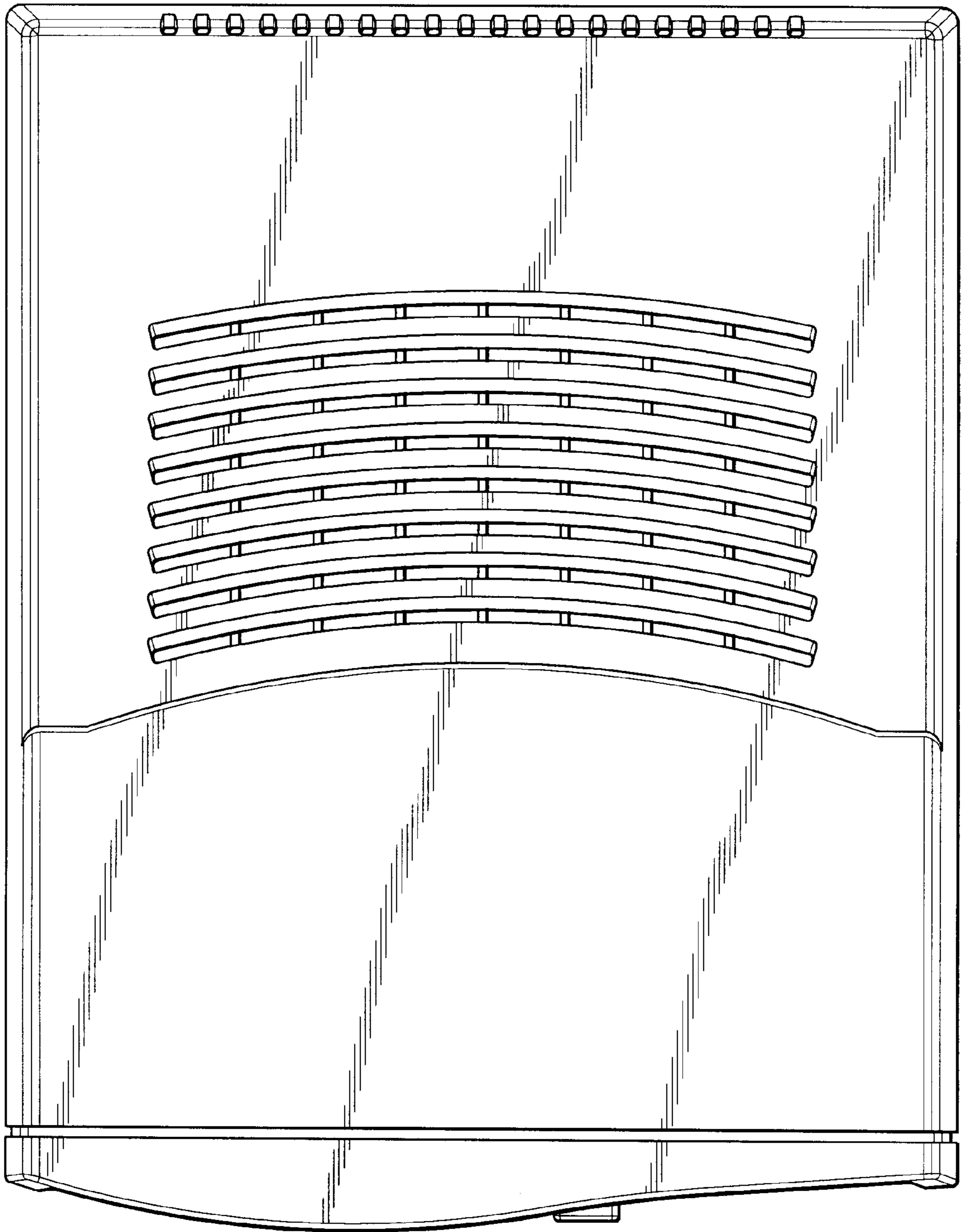


FIG. 5

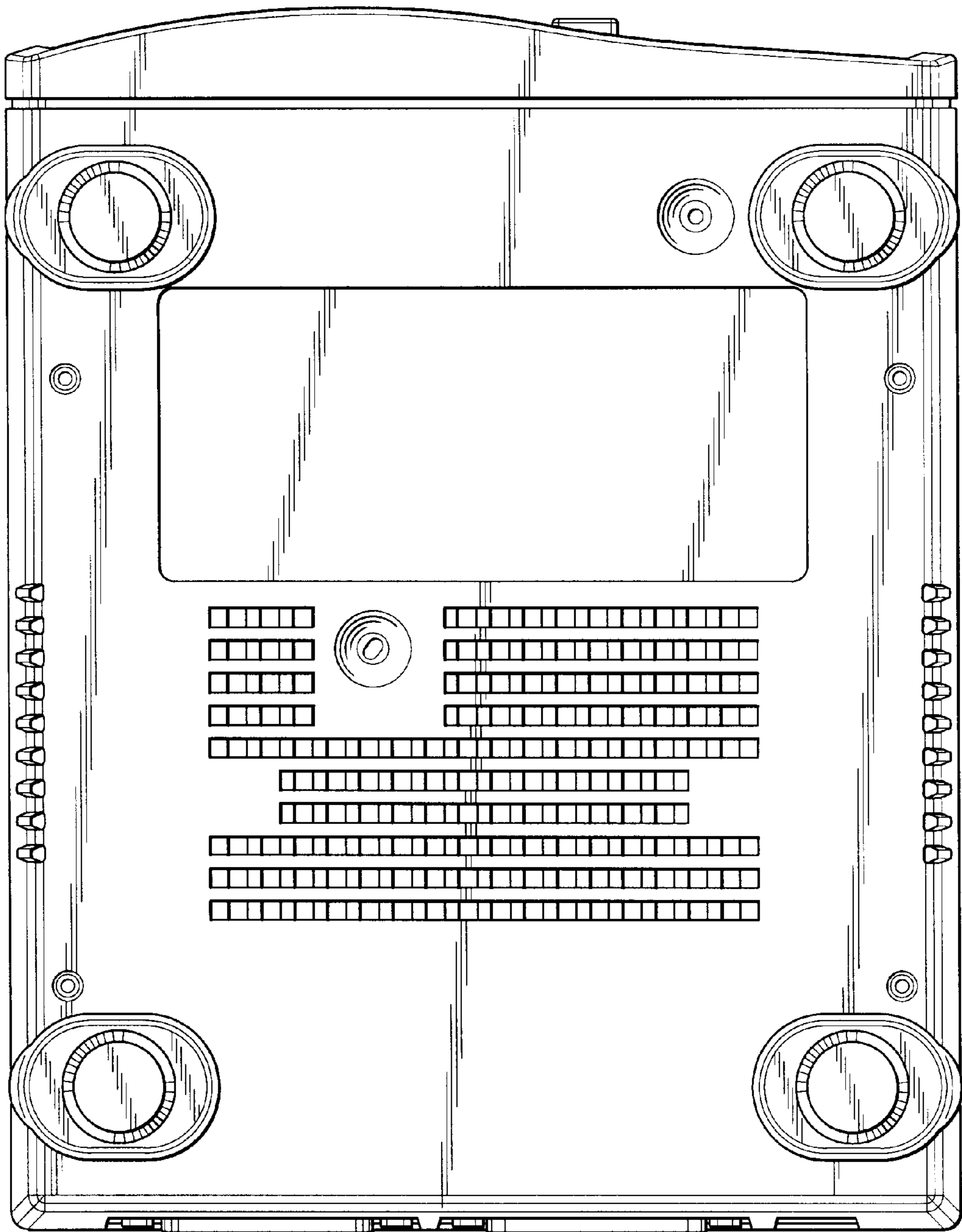


FIG. 6

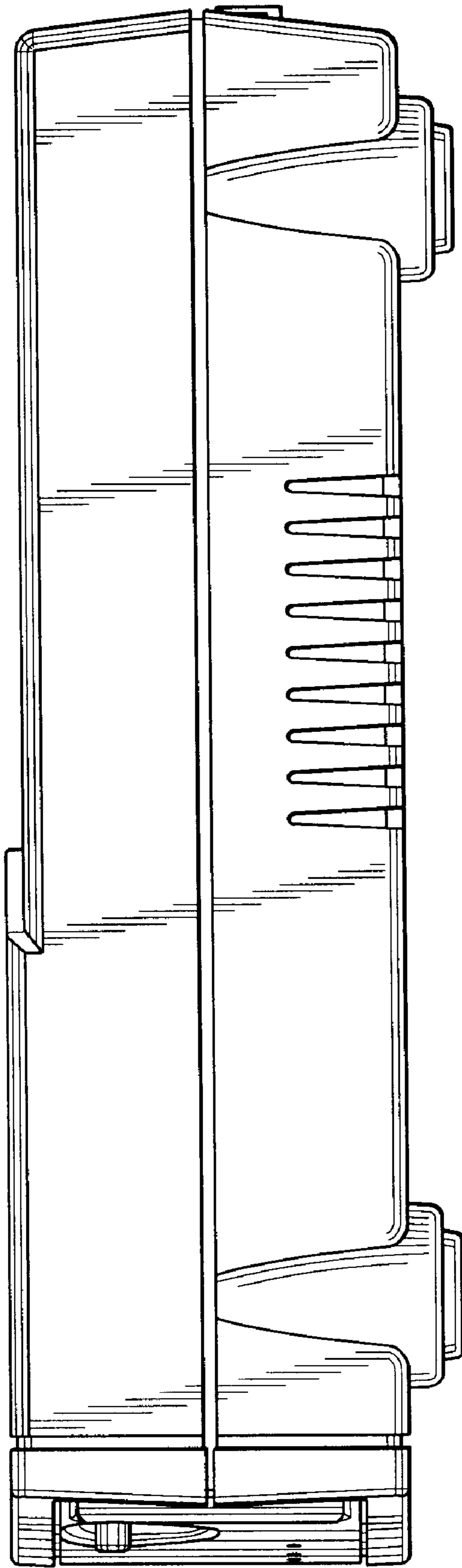


FIG. 7

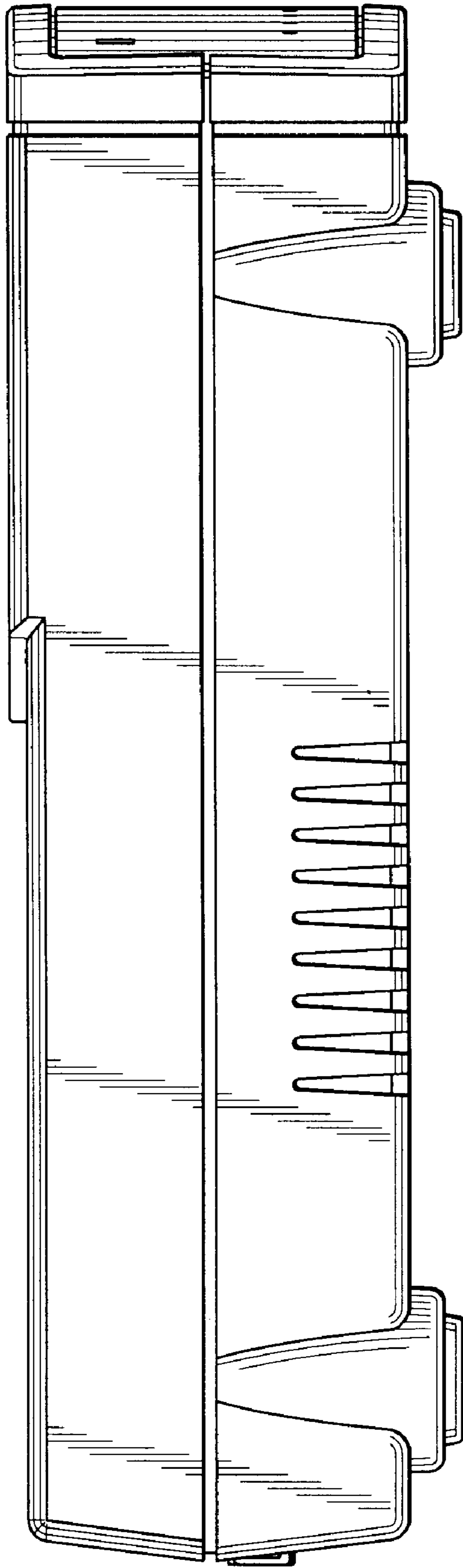


FIG. 8