



US00D408834S

United States Patent [19]

Lavine et al.

[11] **Patent Number: Des. 408,834**

[45] **Date of Patent: **Apr. 27, 1999**

[54] **CAMCORDER CAMERA**

[75] Inventors: **Monte D. Lavine; Stanley H. Caplan**, both of Rochester; **Philip R. Ashe**, Hilton; **Jason M. Avery**, Rochester, all of N.Y.

[73] Assignee: **Eastman Kodak Company**, Rochester, N.Y.

[**] Term: **14 Years**

[21] Appl. No.: **29/085,373**

[22] Filed: **Mar. 11, 1998**

[51] **LOC (6) Cl. 16-01**

[52] **U.S. Cl. D16/205; D16/202**

[58] **Field of Search D16/200-208, D16/216-218; 348/373-376; 352/242, 243; 358/906; 396/535-543**

[56] **References Cited**

U.S. PATENT DOCUMENTS

D. 98,369	1/1936	Scheibell	D16/205
D. 340,802	11/1993	Sekine	D16/208
D. 396,051	7/1998	Mori	D16/202
5,294,988	3/1994	Wakabayashi et al.	348/373

OTHER PUBLICATIONS

Handycam catalog, p. 16 (Digital Handycam PC 7), Dec. 1996.

Primary Examiner—Philip S. Hyder

Assistant Examiner—Adir Aronovich
Attorney, Agent, or Firm—Roger A. Fields

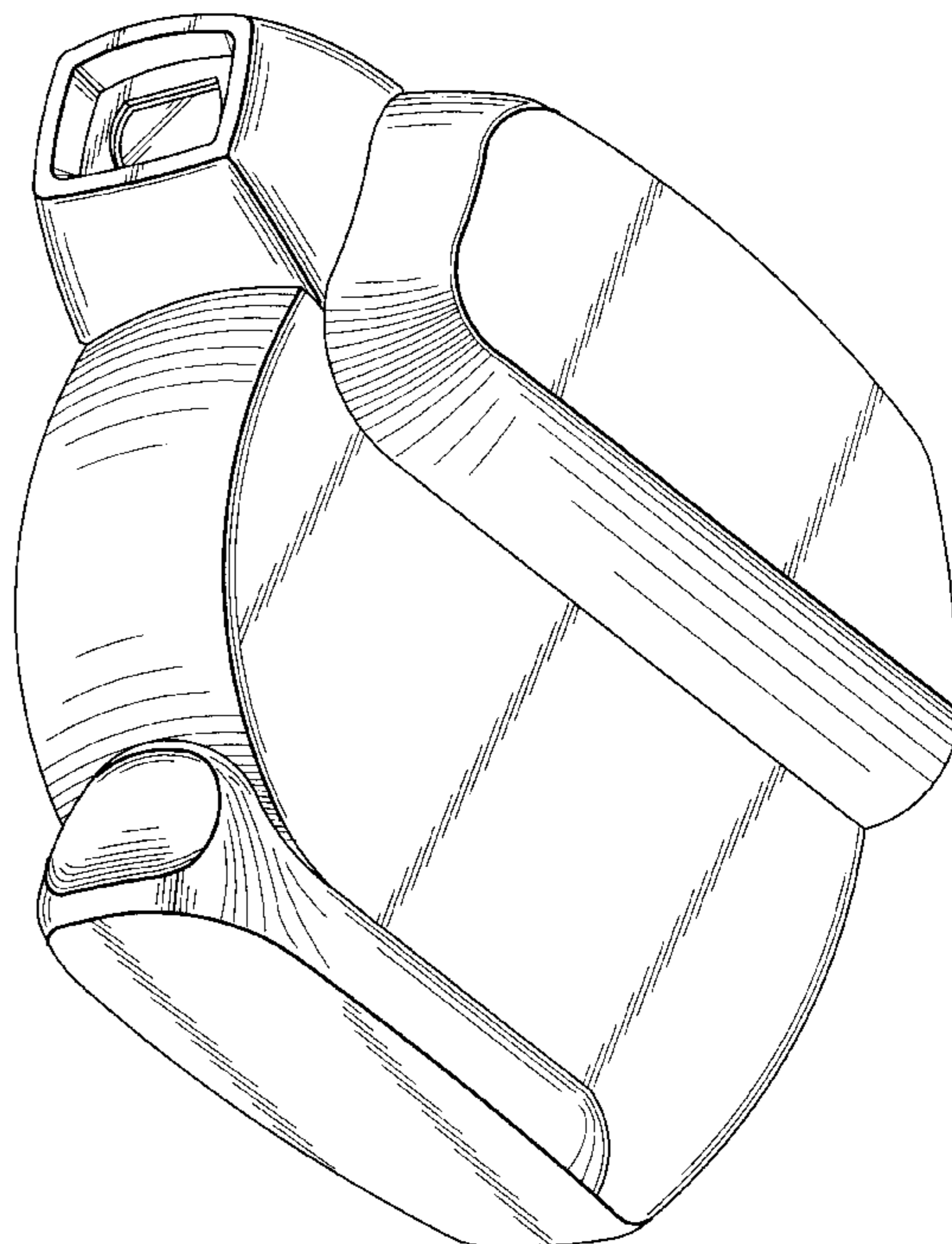
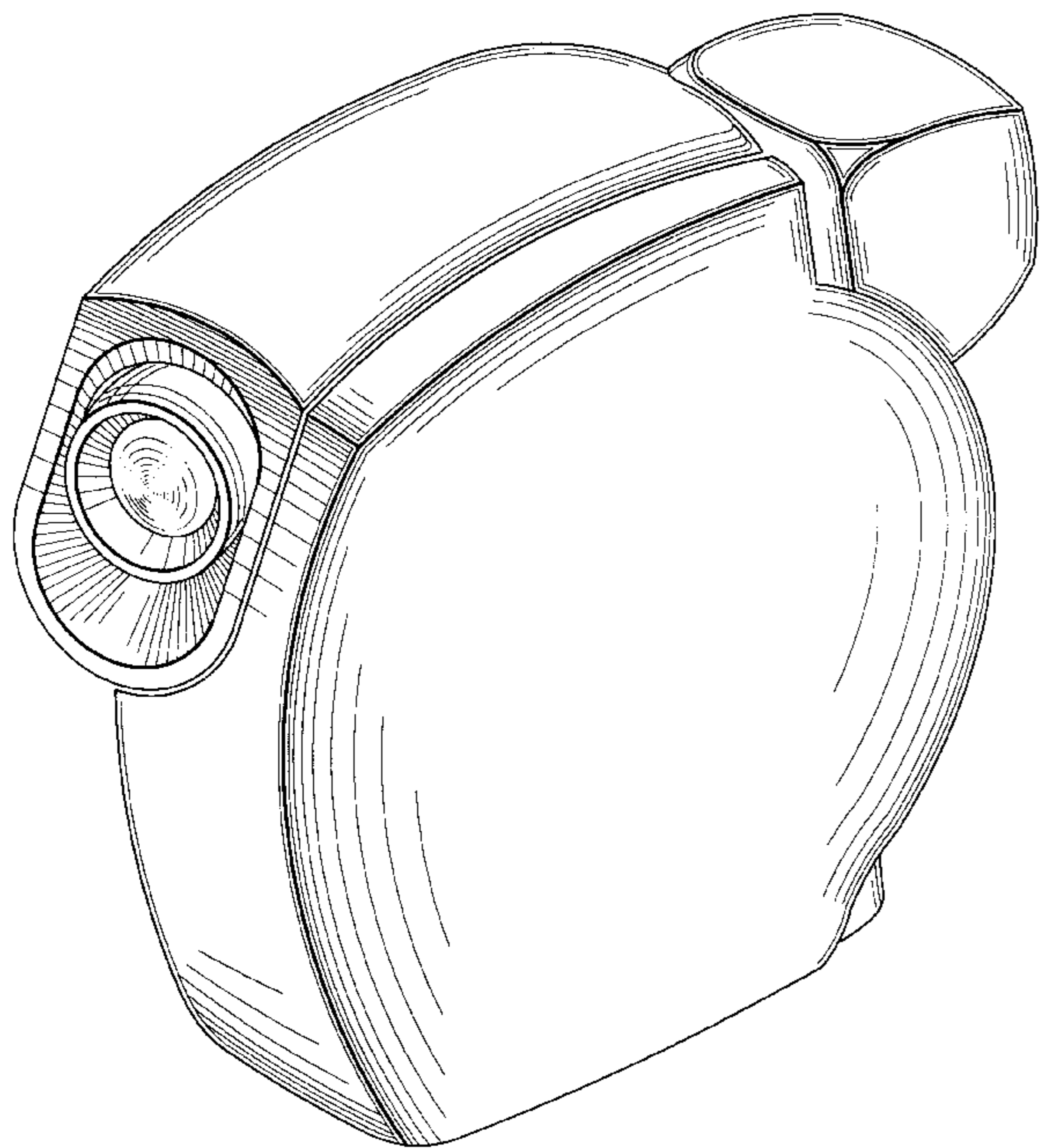
[57] **CLAIM**

The ornamental design for a camcorder camera, as shown and described.

DESCRIPTION

FIG. 1 is a front, right-side, top perspective view of the camcorder camera showing our new design;
 FIG. 2 is a rear, left-side, bottom perspective view thereof;
 FIG. 3 is a front elevation view thereof;
 FIG. 4 is a rear elevation view thereof;
 FIG. 5 is a top plan view thereof;
 FIG. 6 is a bottom plan view thereof;
 FIG. 7 is a right-side elevation view thereof;
 FIG. 8 is a left-side elevation view thereof;
 FIG. 9 is a front, right-side, top perspective view of the camcorder camera showing a removable top portion detached;
 FIG. 10 is a rear, left-side, bottom perspective view thereof;
 FIG. 11 is a front elevation view thereof;
 FIG. 12 is a rear elevation view thereof;
 FIG. 13 is a top plan view thereof;
 FIG. 14 is a bottom plan view thereof;
 FIG. 15 is a right-side elevation view thereof; and,
 FIG. 16 is a left-side elevation view thereof.

1 Claim, 16 Drawing Sheets



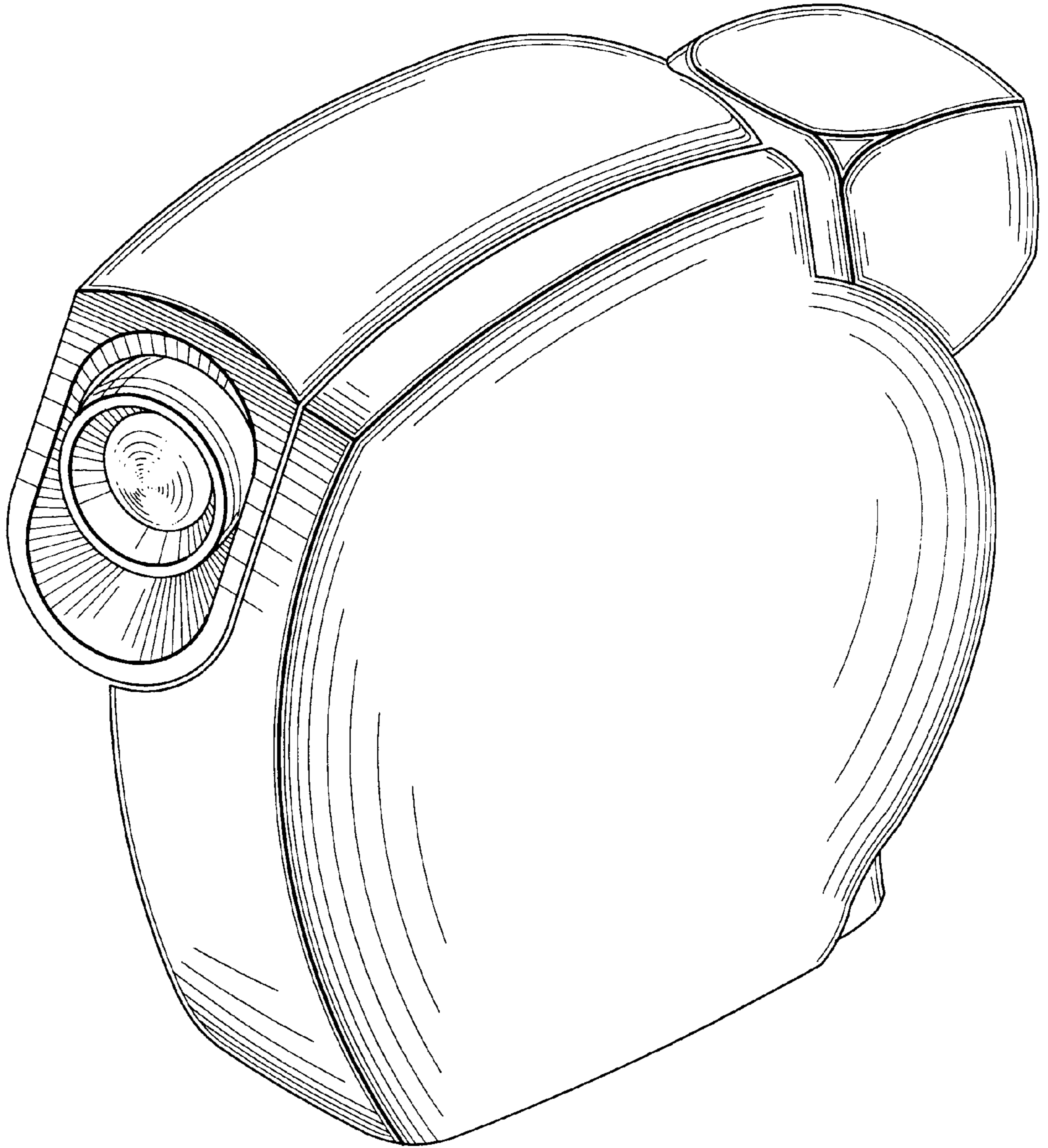


FIG. 1

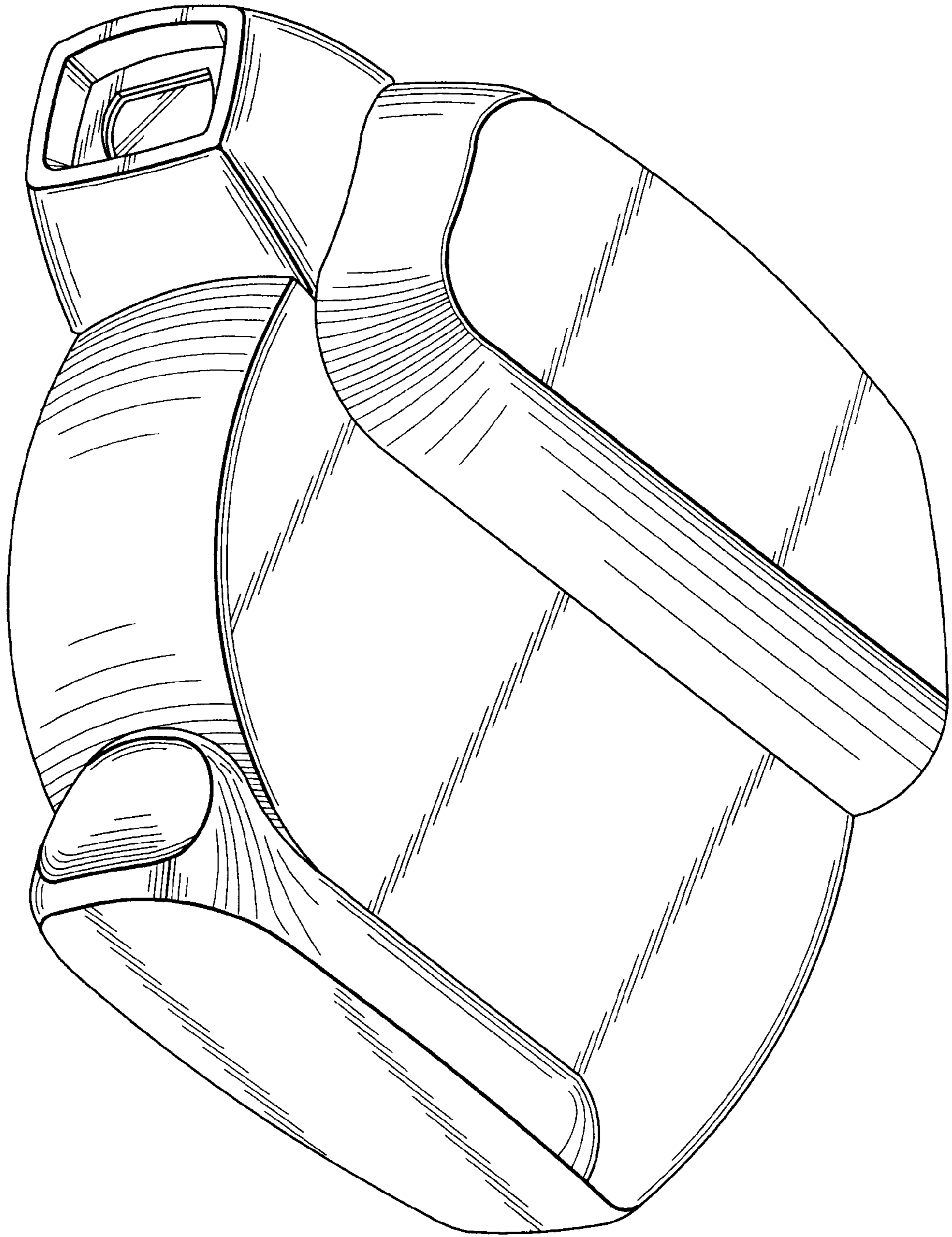


FIG. 2

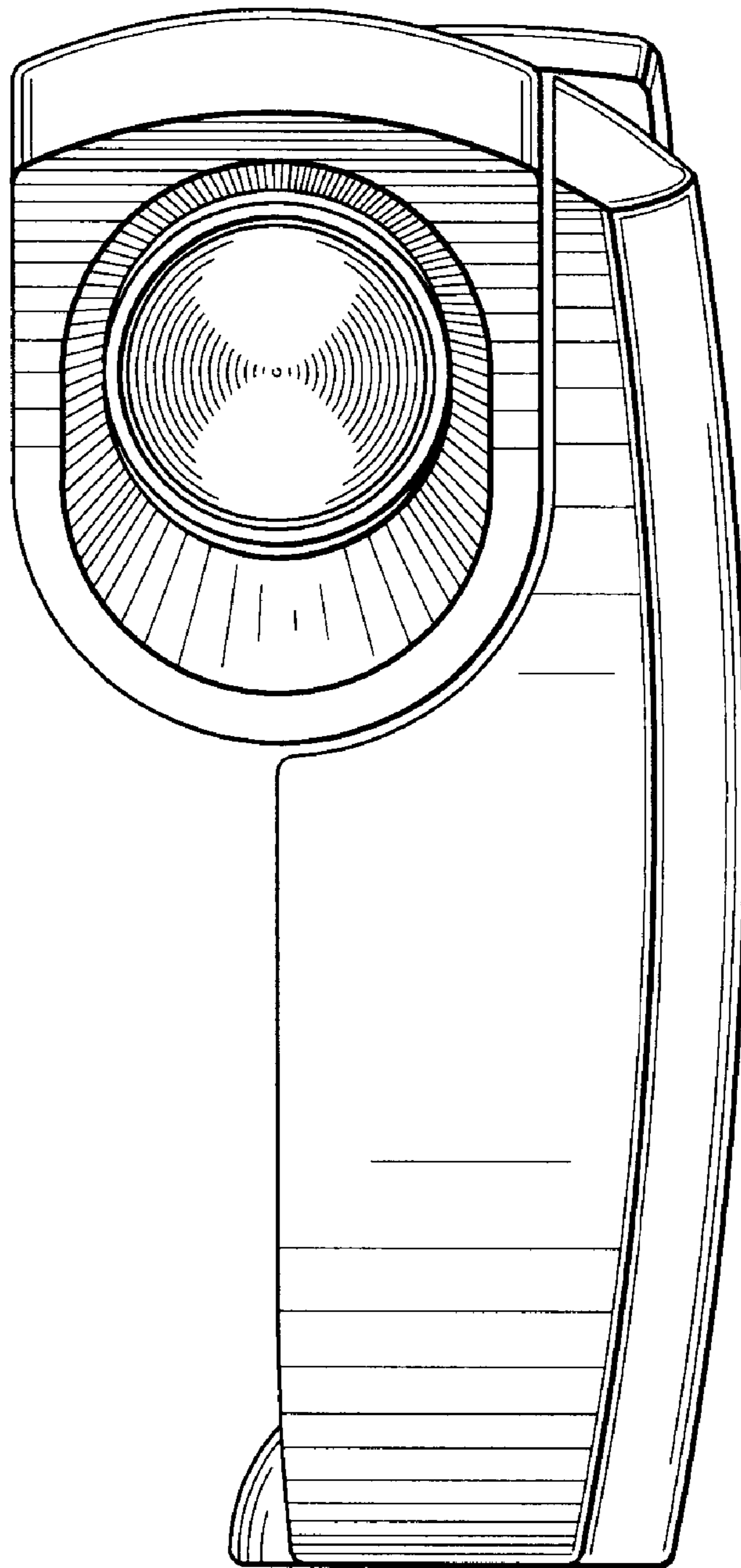


FIG. 3

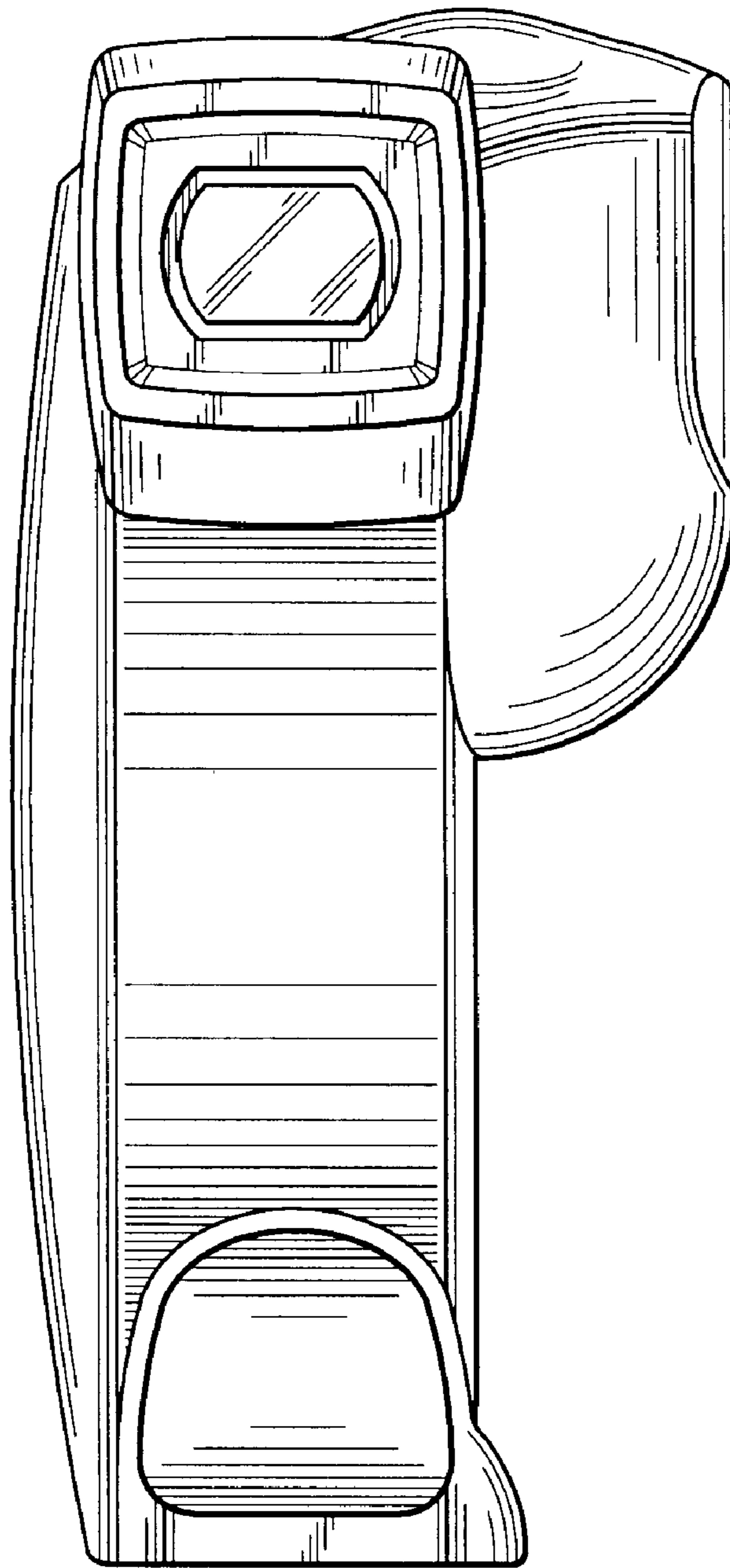


FIG. 4

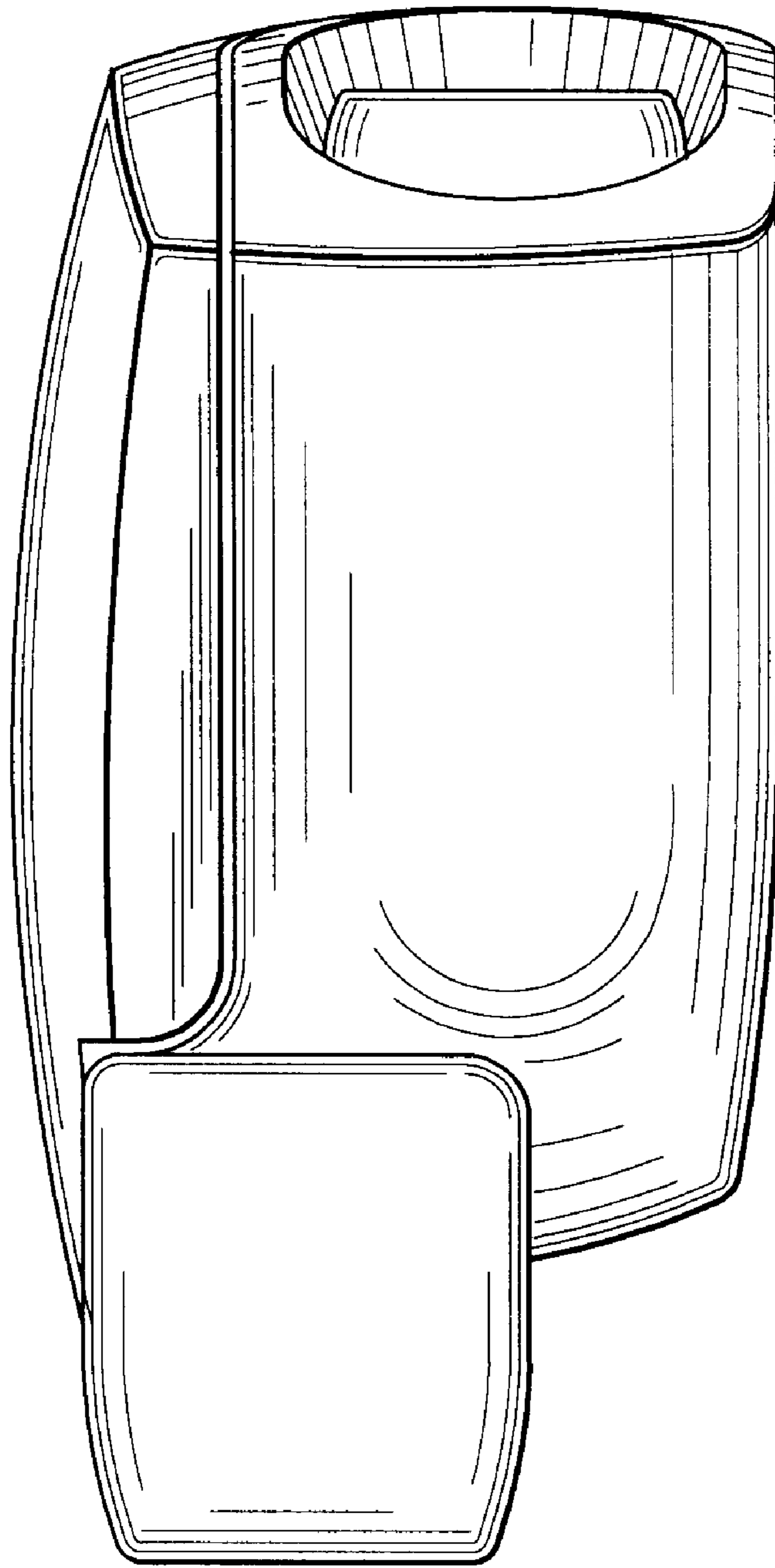


FIG. 5

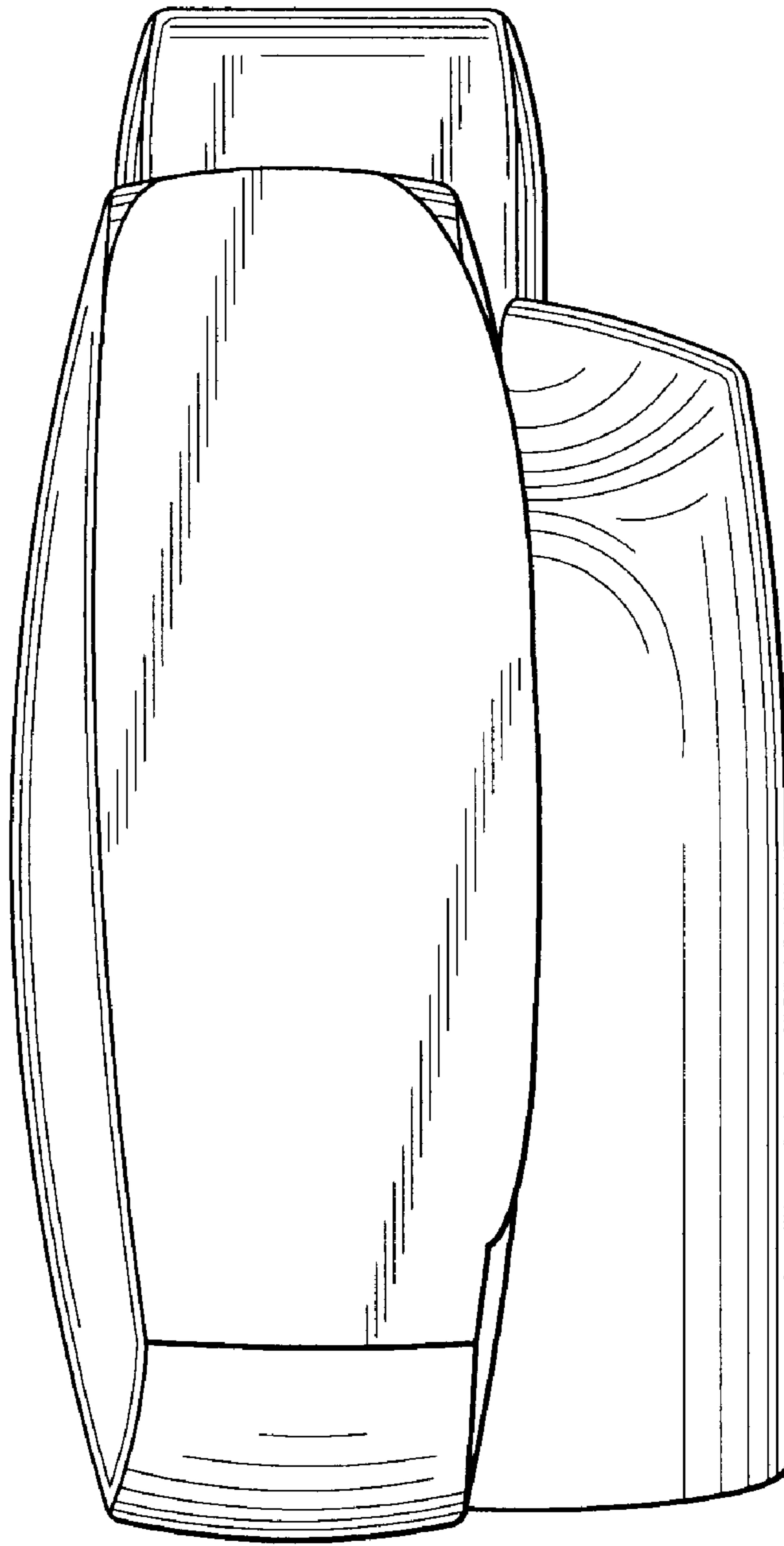


FIG. 6

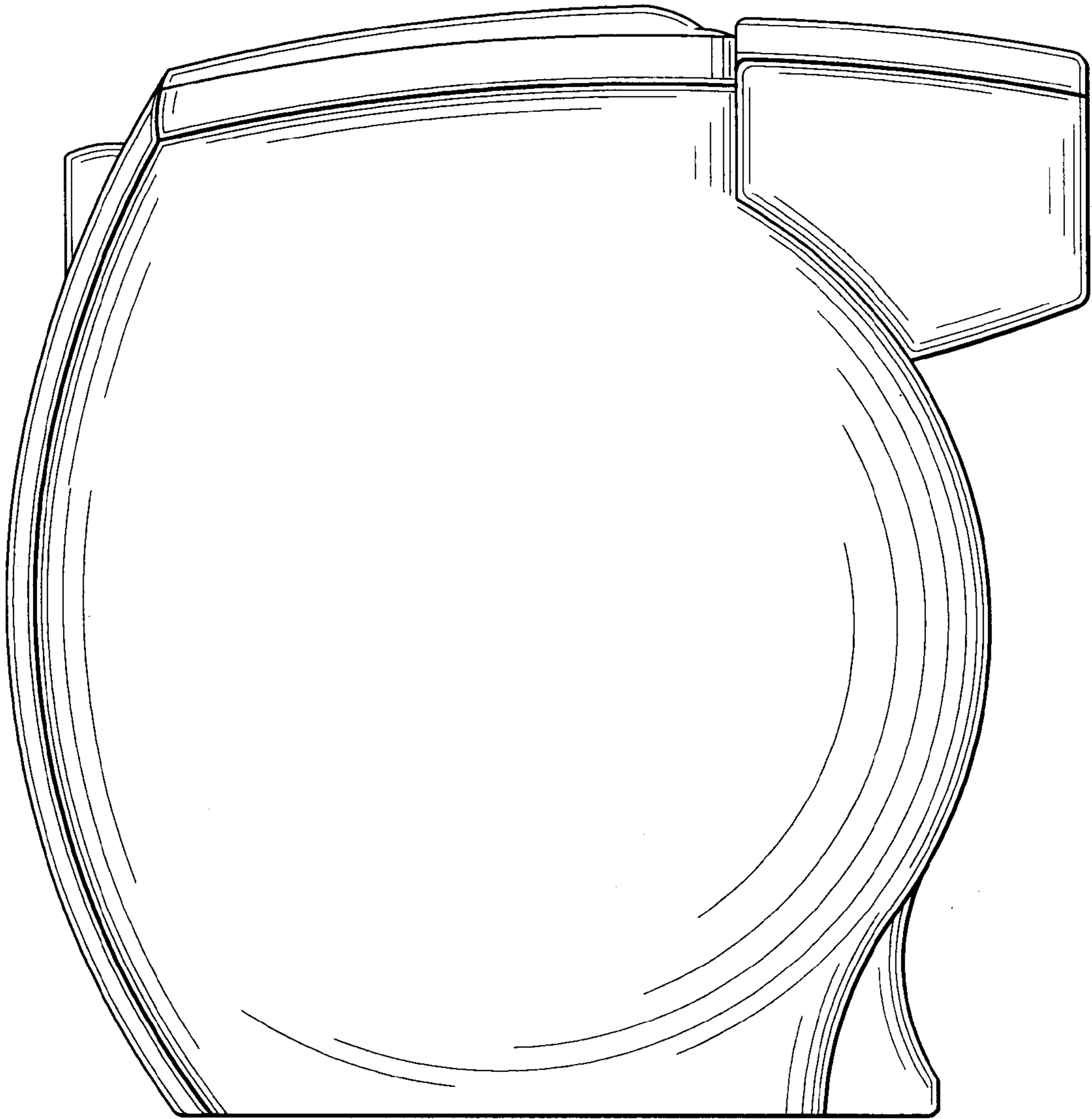


FIG. 7

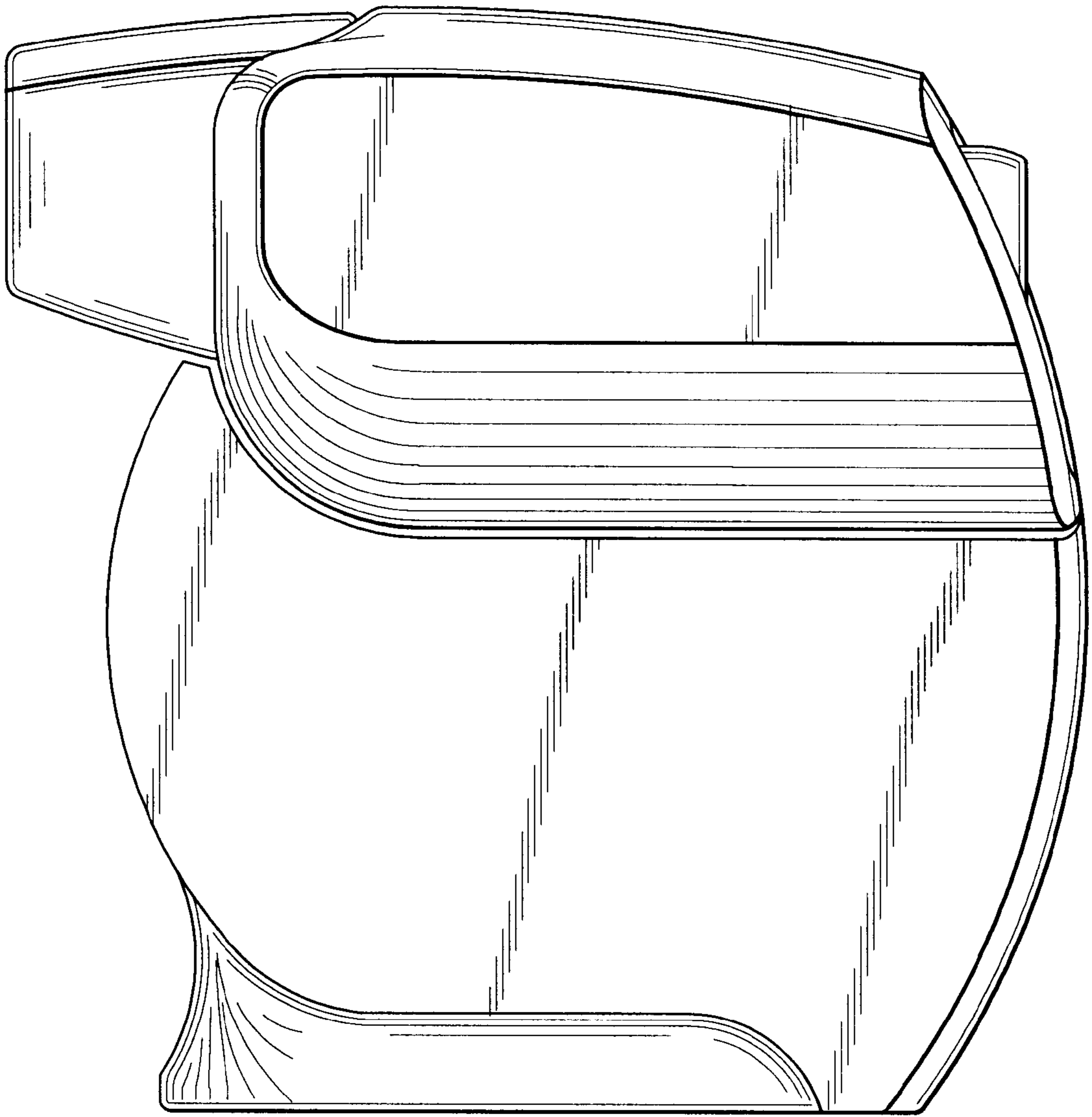


FIG. 8

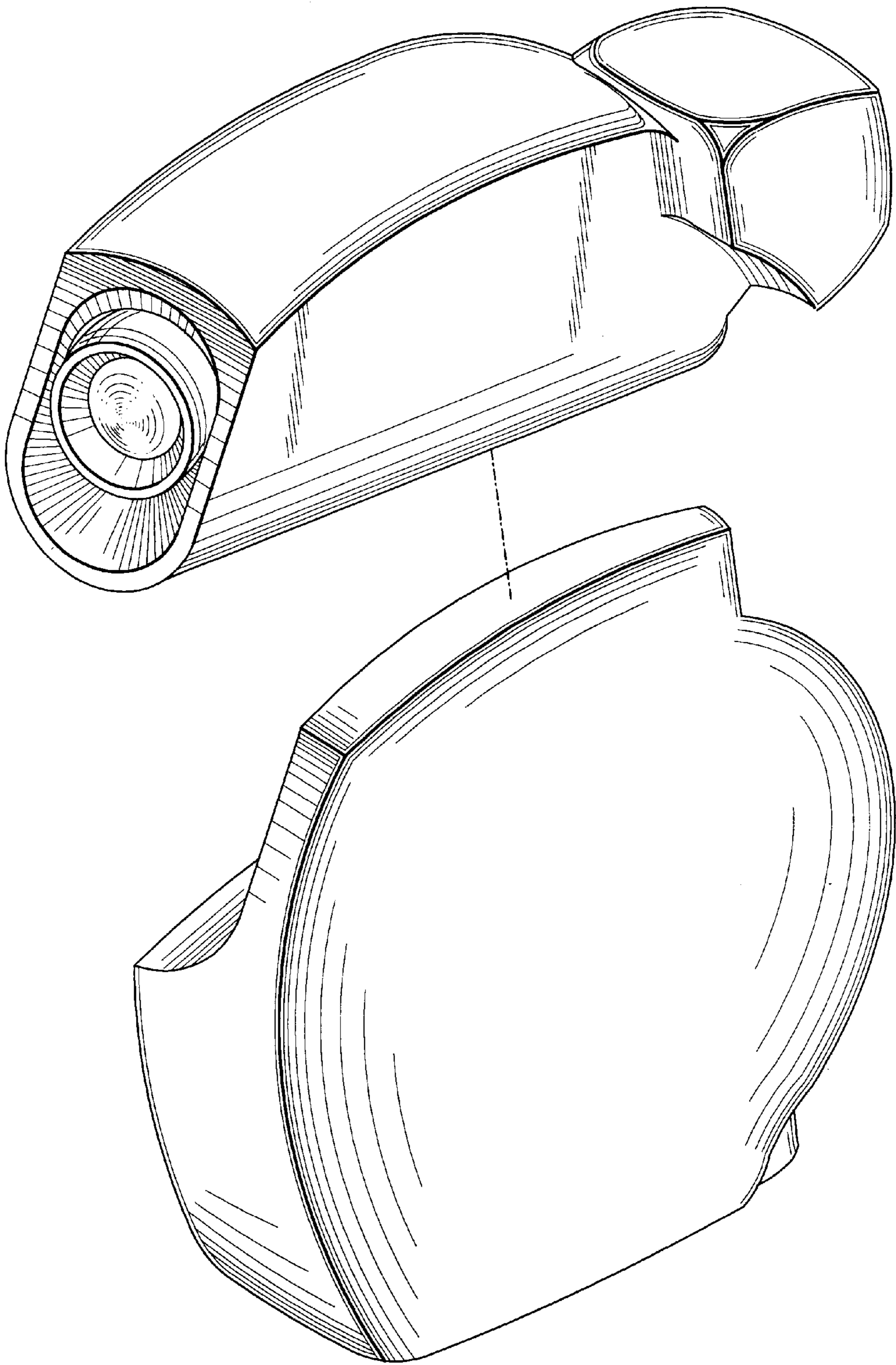


FIG. 9

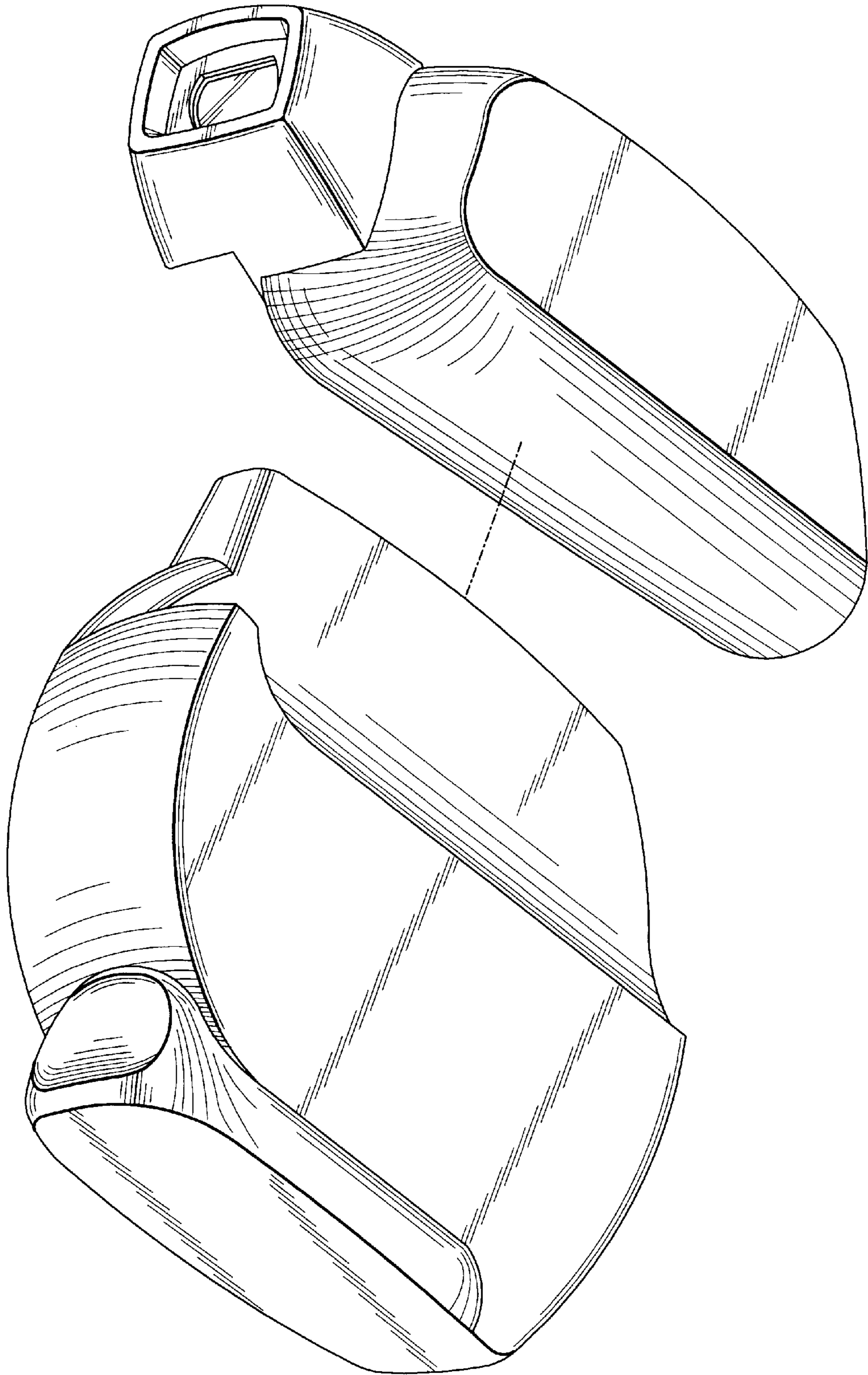


FIG. 10

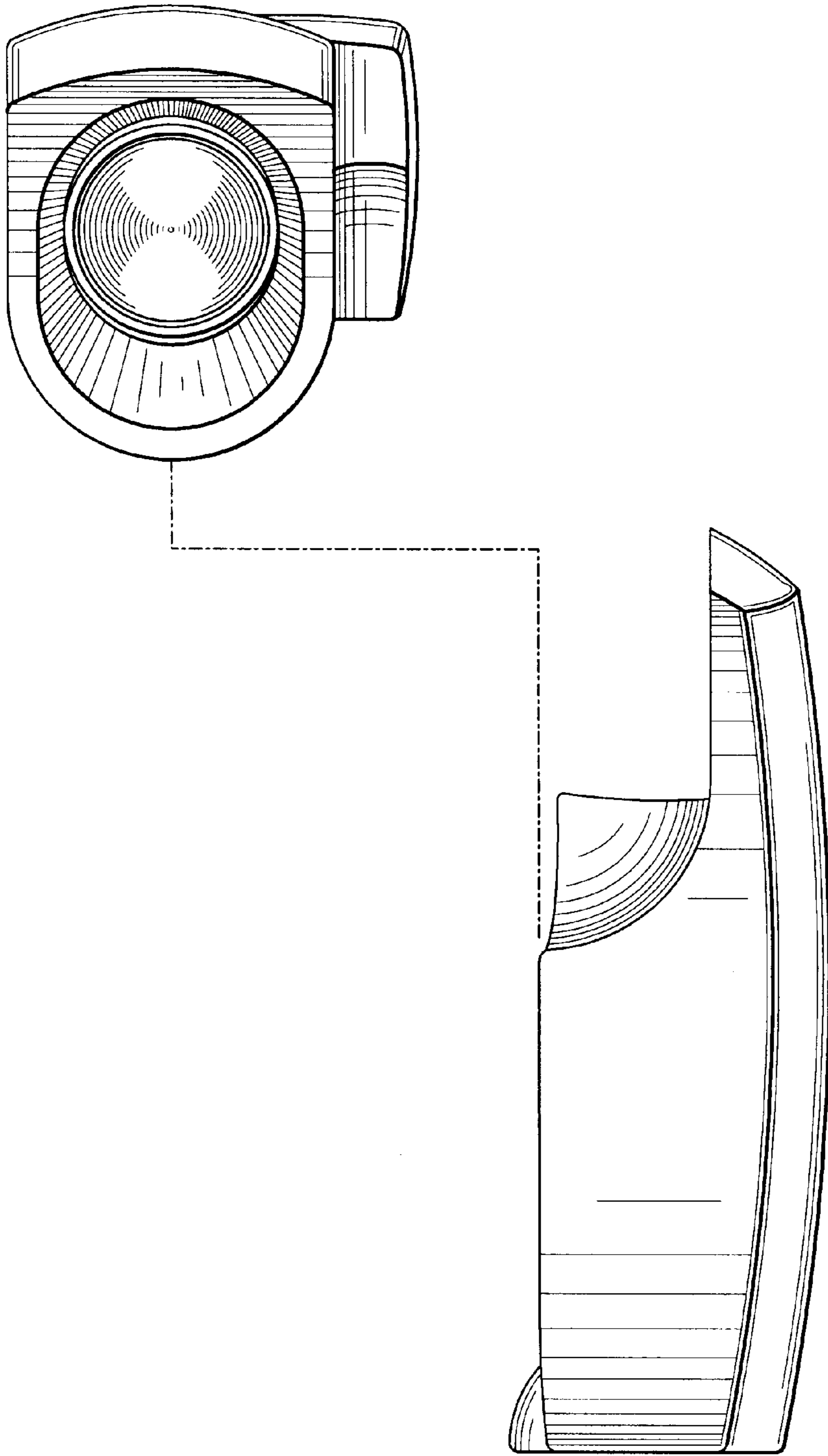


FIG. II

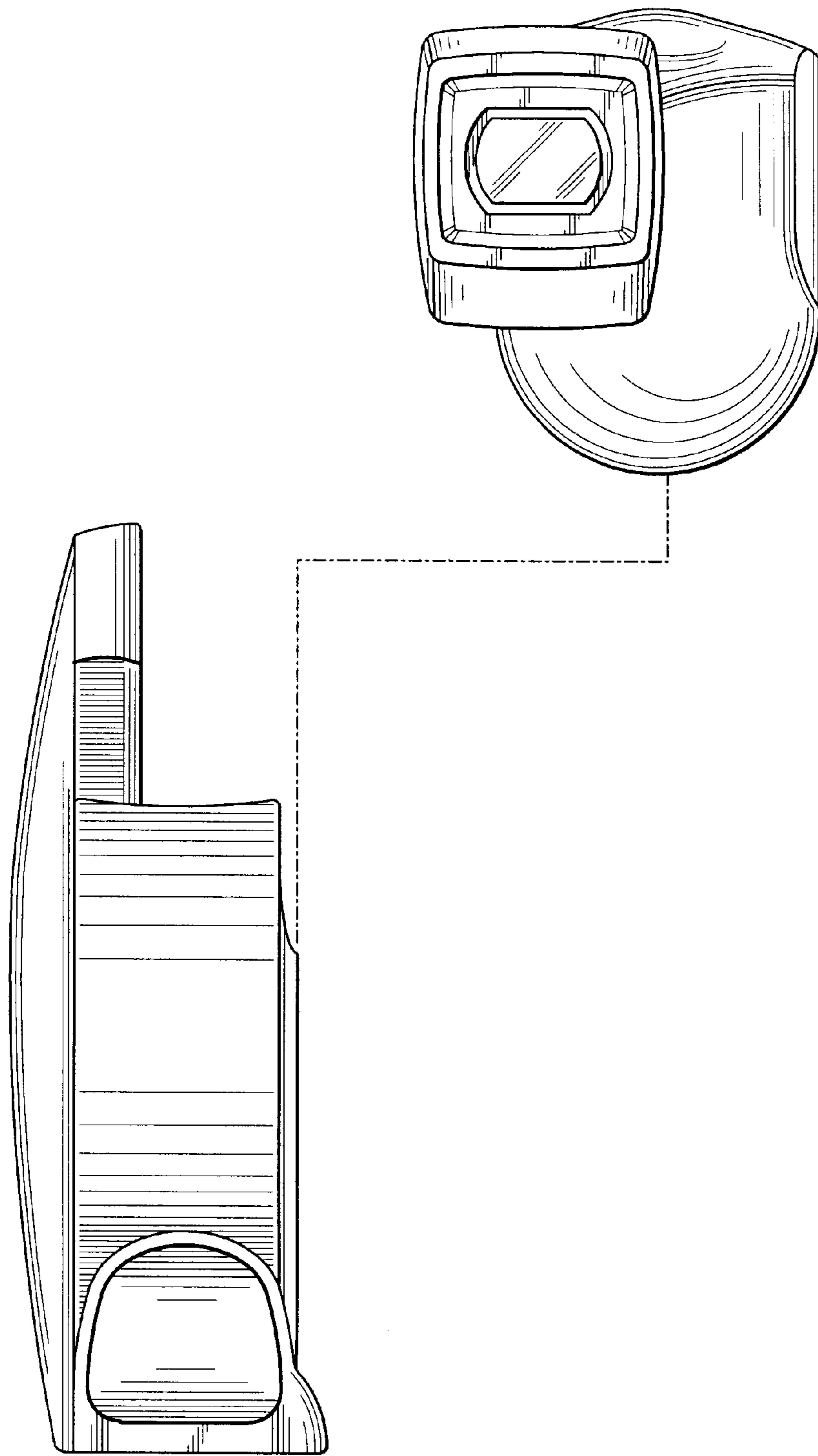


FIG. 12

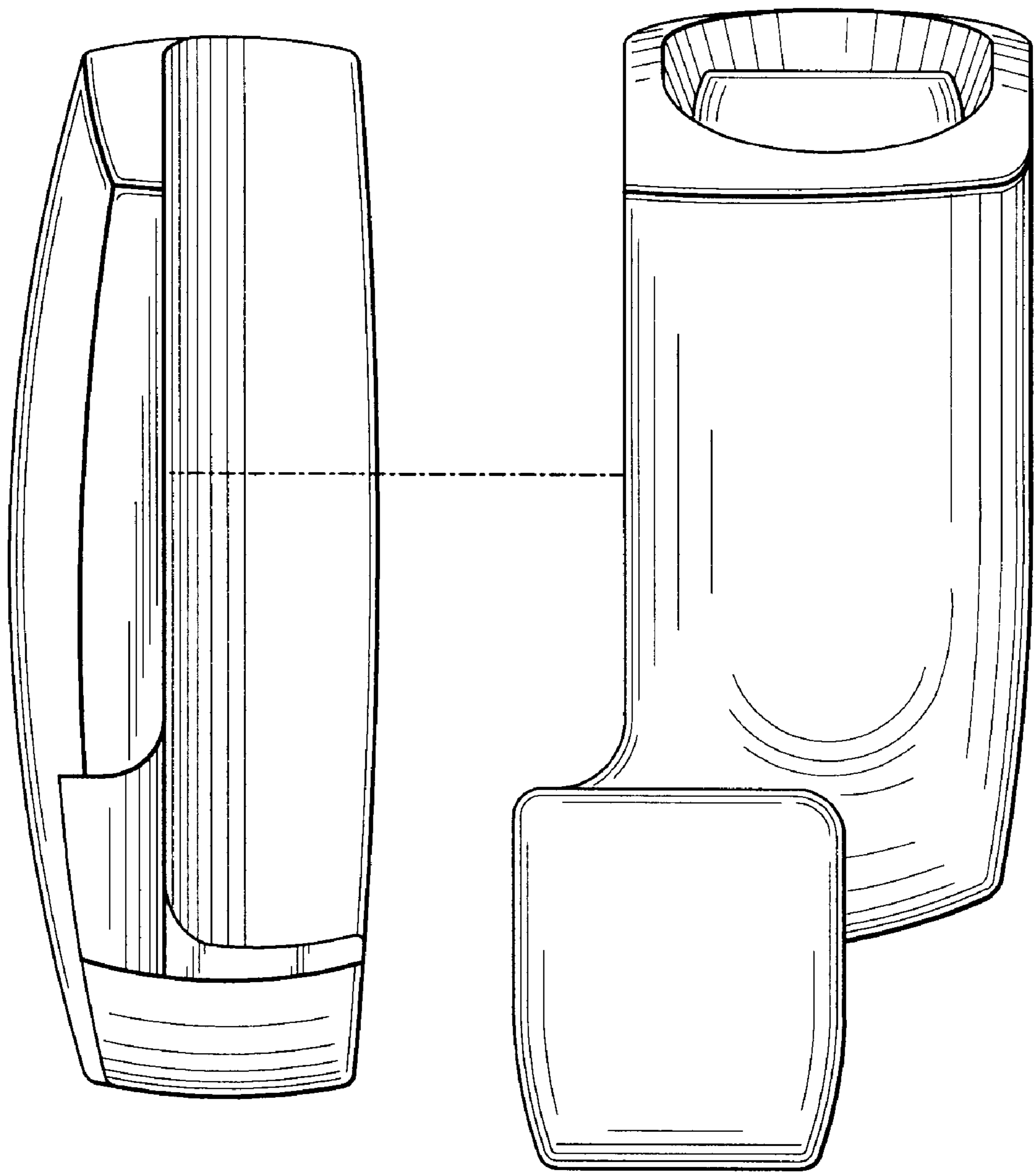


FIG. 13

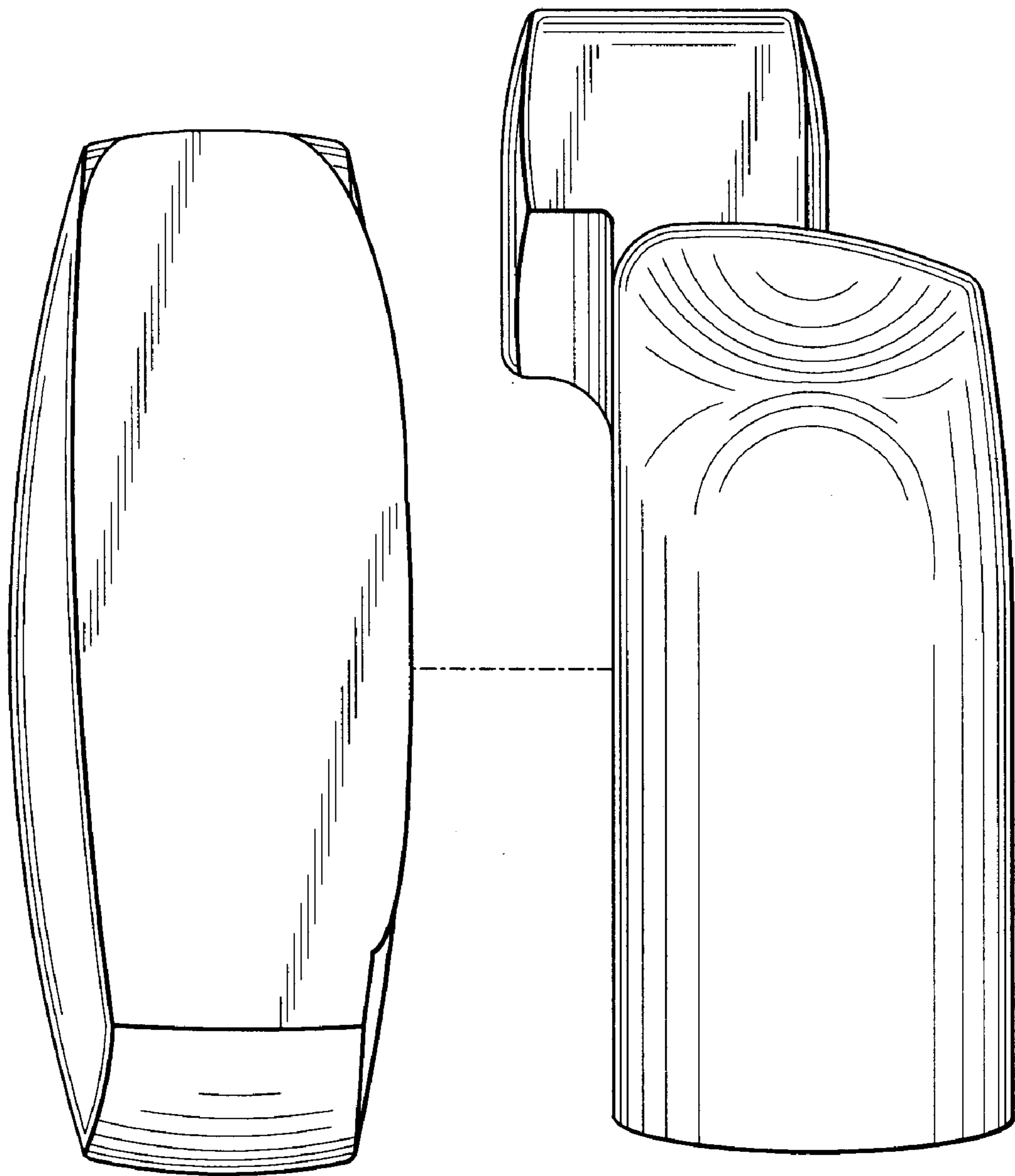


FIG. 14

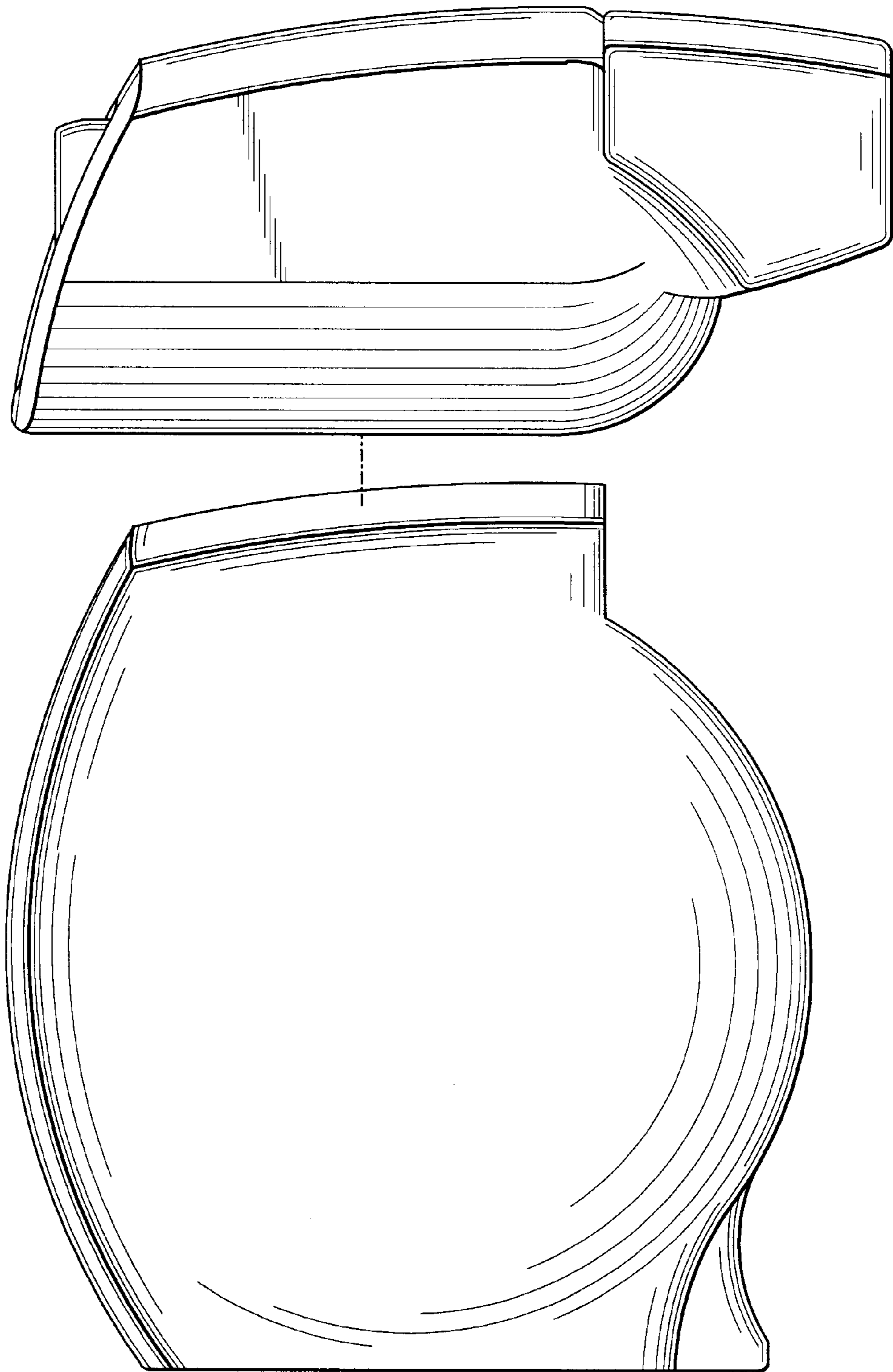


FIG. 15

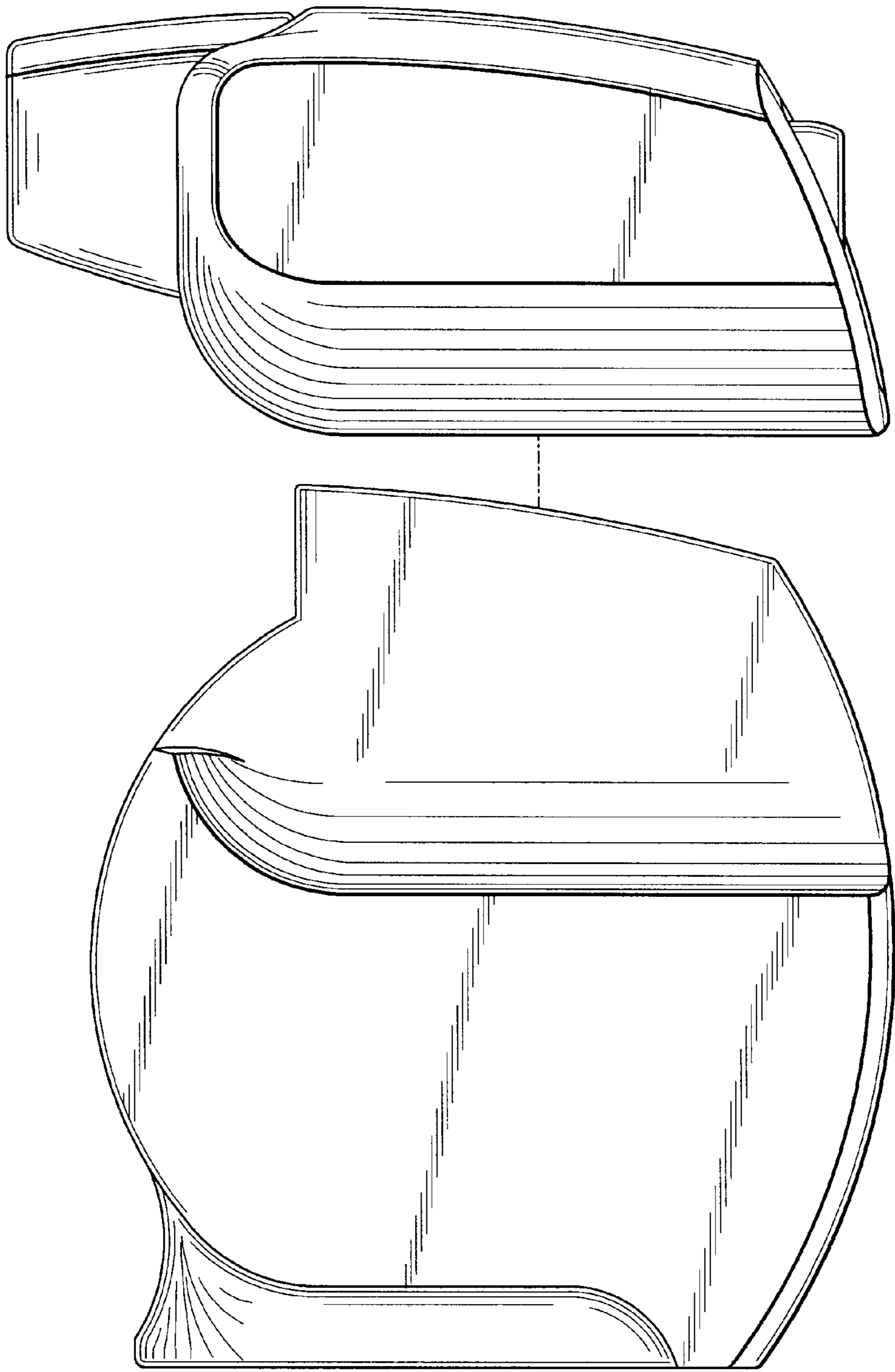


FIG. 16