



US00D408833S

United States Patent [19] Irie

[11] **Patent Number: Des. 408,833**

[45] **Date of Patent: **Apr. 27, 1999**

[54] **CAMERA**

[75] Inventor: **Kimiyasu Irie**, Tokyo, Japan

[73] Assignee: **Pacific Corporation**, Tokyo, Japan

[**] Term: **14 Years**

[21] Appl. No.: **29/059,680**

[22] Filed: **Sep. 11, 1996**

D. 263,477	3/1982	Ainslie	D16/209
4,134,654	1/1979	Murakami et al.	396/213
4,297,018	10/1981	Murakami et al.	396/249

FOREIGN PATENT DOCUMENTS

60-60629	4/1985	Japan	396/535
405041824	2/1993	Japan	H04N 5/225

Primary Examiner—Ted Shooman
Assistant Examiner—Adir Aronovich
Attorney, Agent, or Firm—Rabin & Champagne P.C.

Related U.S. Application Data

[63] Continuation of application No. 29/028,058, Sep. 6, 1994, abandoned.

[30] Foreign Application Priority Data

May 9, 1994 [JP] Japan 6-12994

[51] **LOC (6) Cl.** **16-01**

[52] **U.S. Cl.** **D16/203; D16/200**

[58] **Field of Search** D16/200–205,
D16/208, 209, 216–218; 396/213, 249,
296, 542, 535–543, 427; 348/143, 207,
373, 374

[56] References Cited

U.S. PATENT DOCUMENTS

D. 254,791 4/1980 Hansen D16/209

[57] CLAIM

The ornamental design for a camera, as shown and described.

DESCRIPTION

FIG. 1 is a front elevational view of a camera, showing my new design;
FIG. 2 is a rear elevational view thereof;
FIG. 3 is a top plan view thereof;
FIG. 4 is a bottom plan view thereof;
FIG. 5 is a right side view thereof;
FIG. 6 is a left side view thereof; and,
FIG. 7 is a perspective view showing the front, top, and right side thereof.

1 Claim, 6 Drawing Sheets

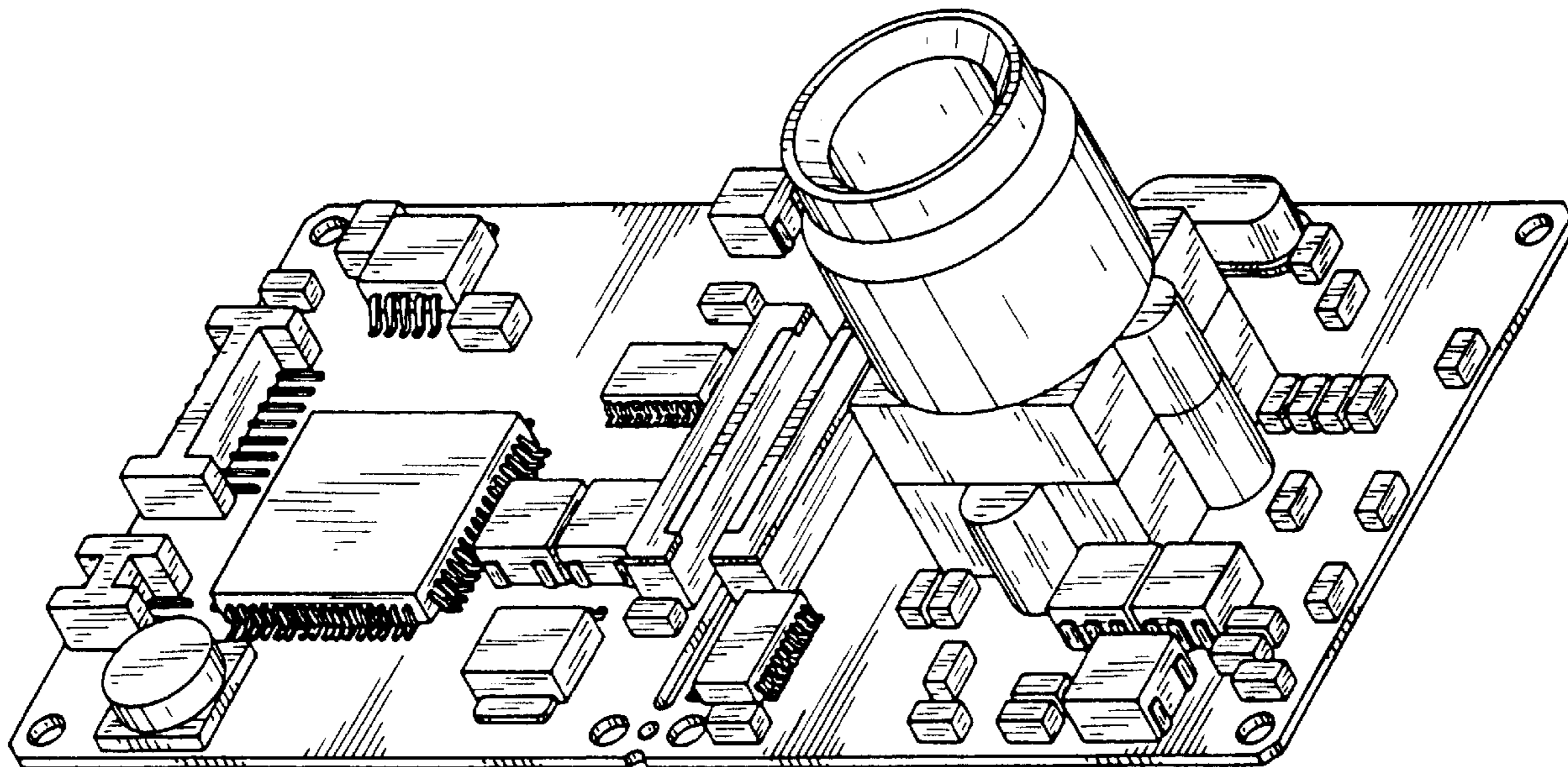


FIG. 1

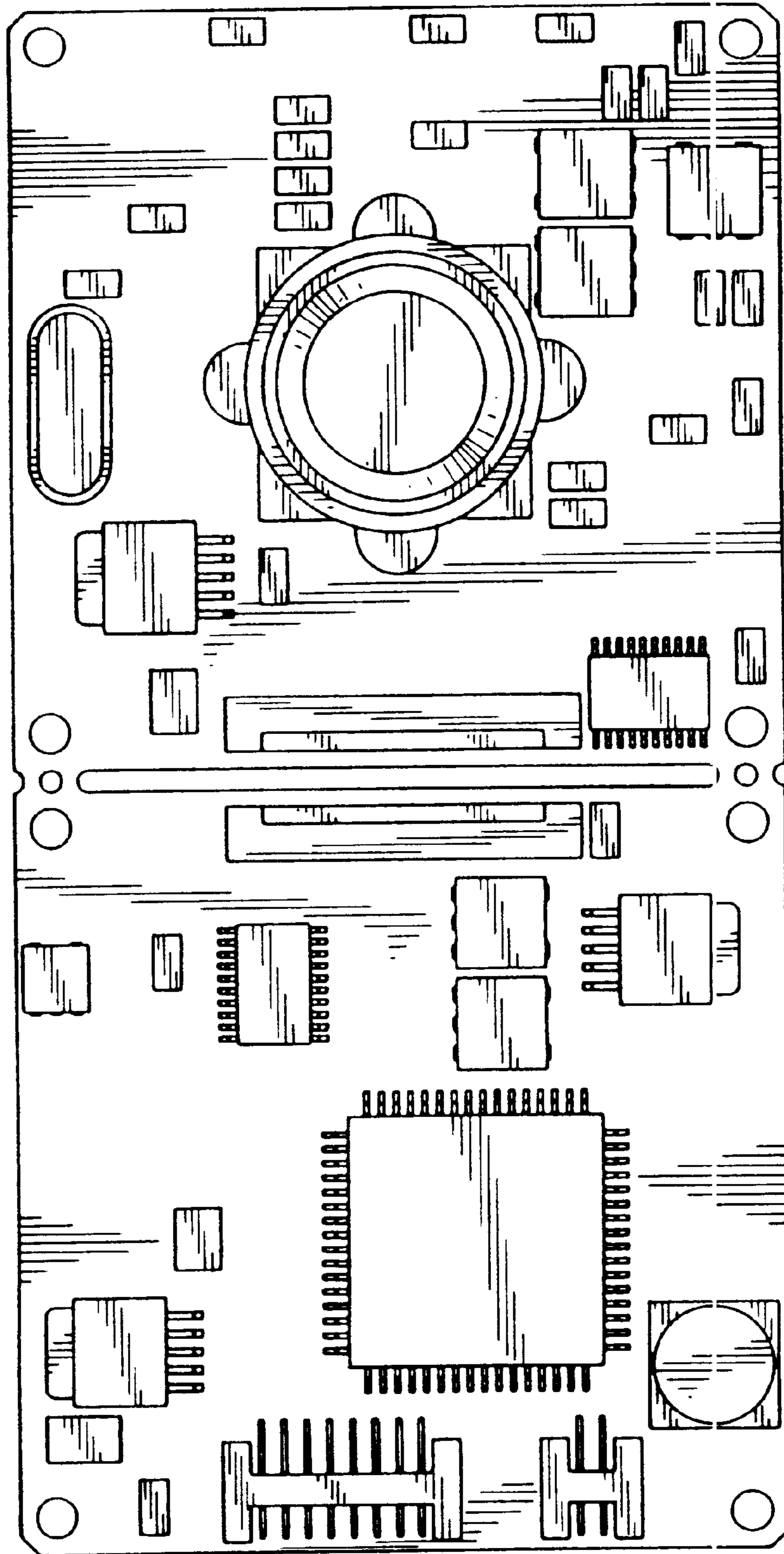


FIG. 2

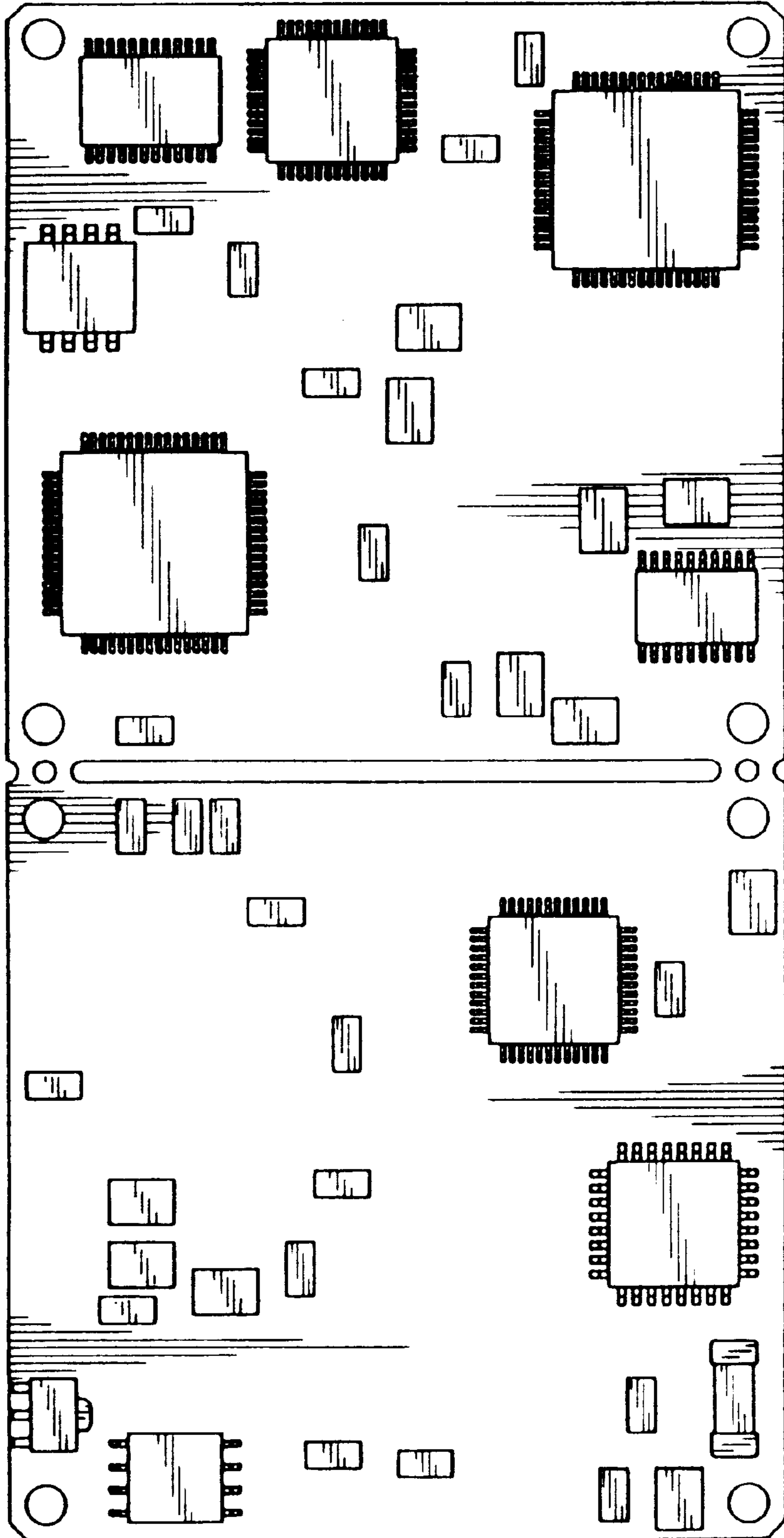


FIG. 3

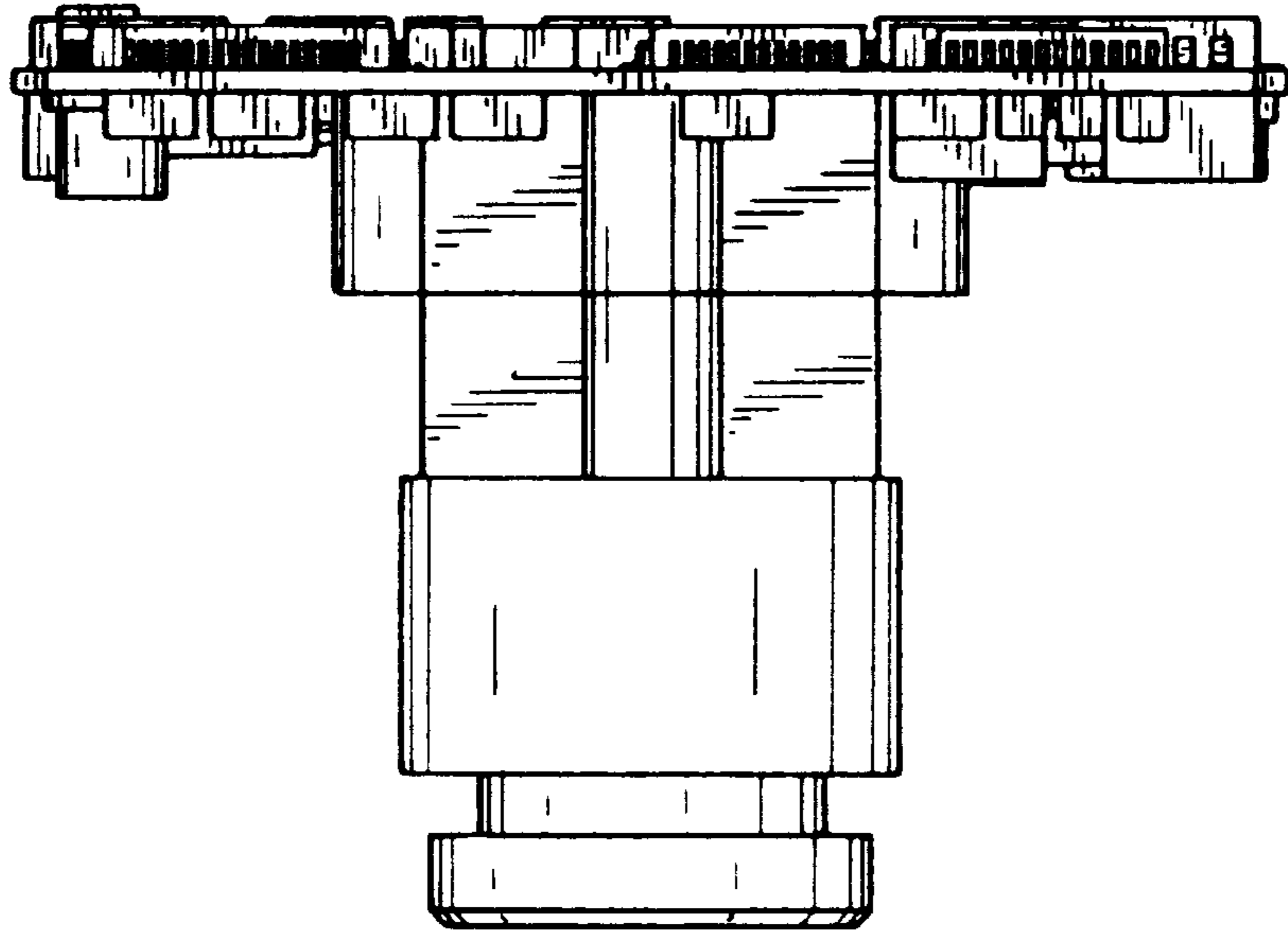


FIG. 4

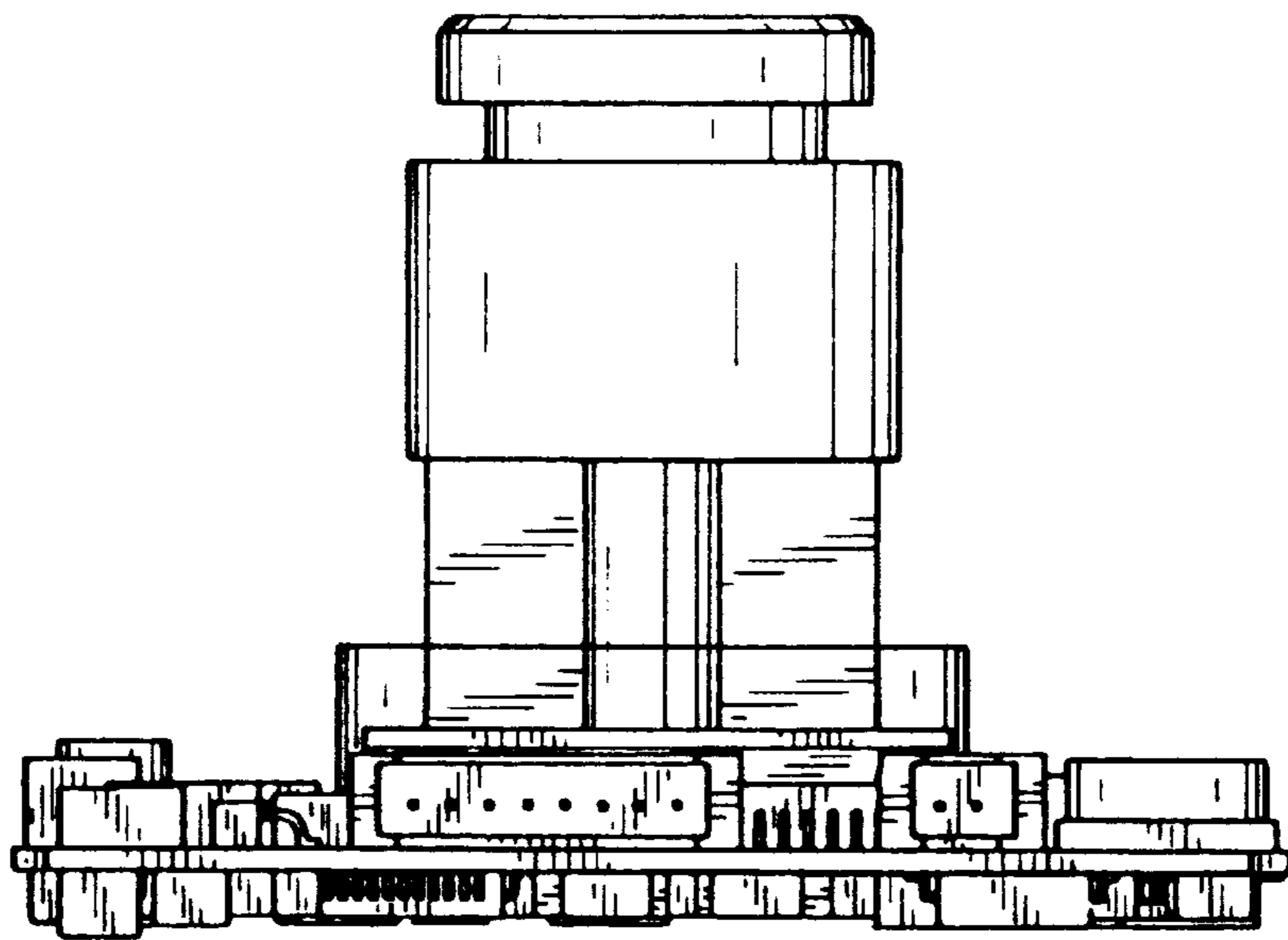


FIG. 5

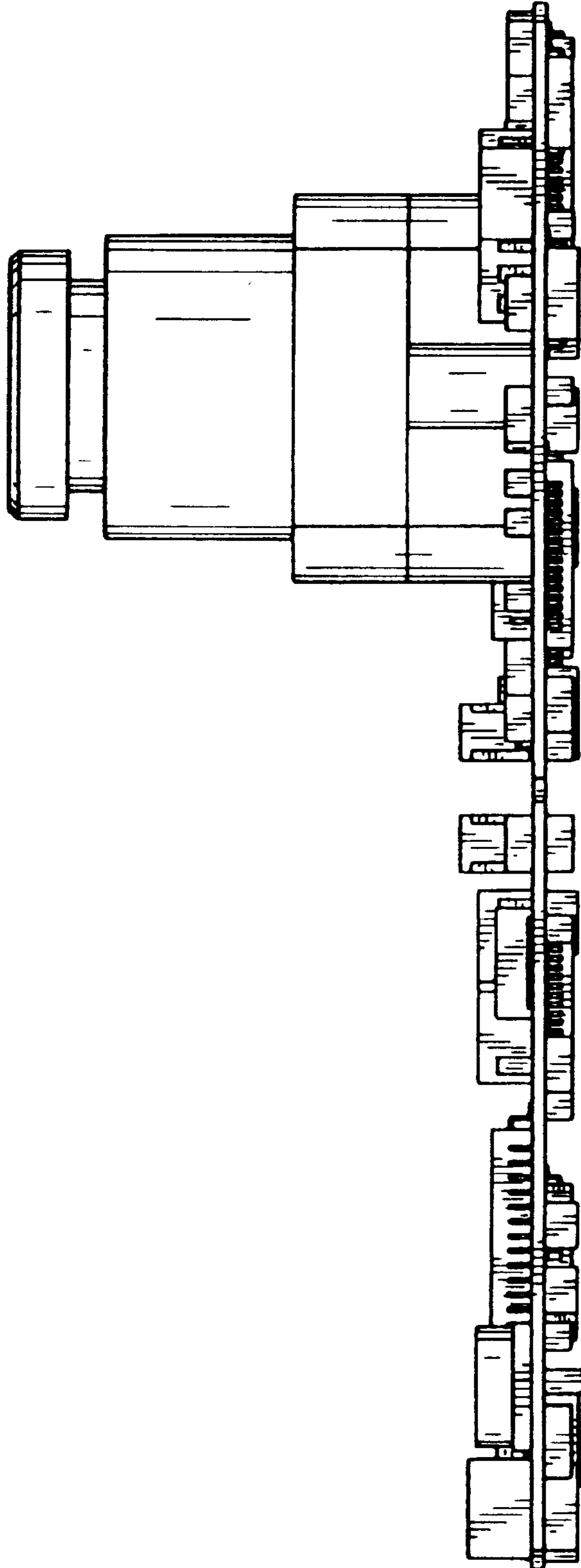


FIG. 6

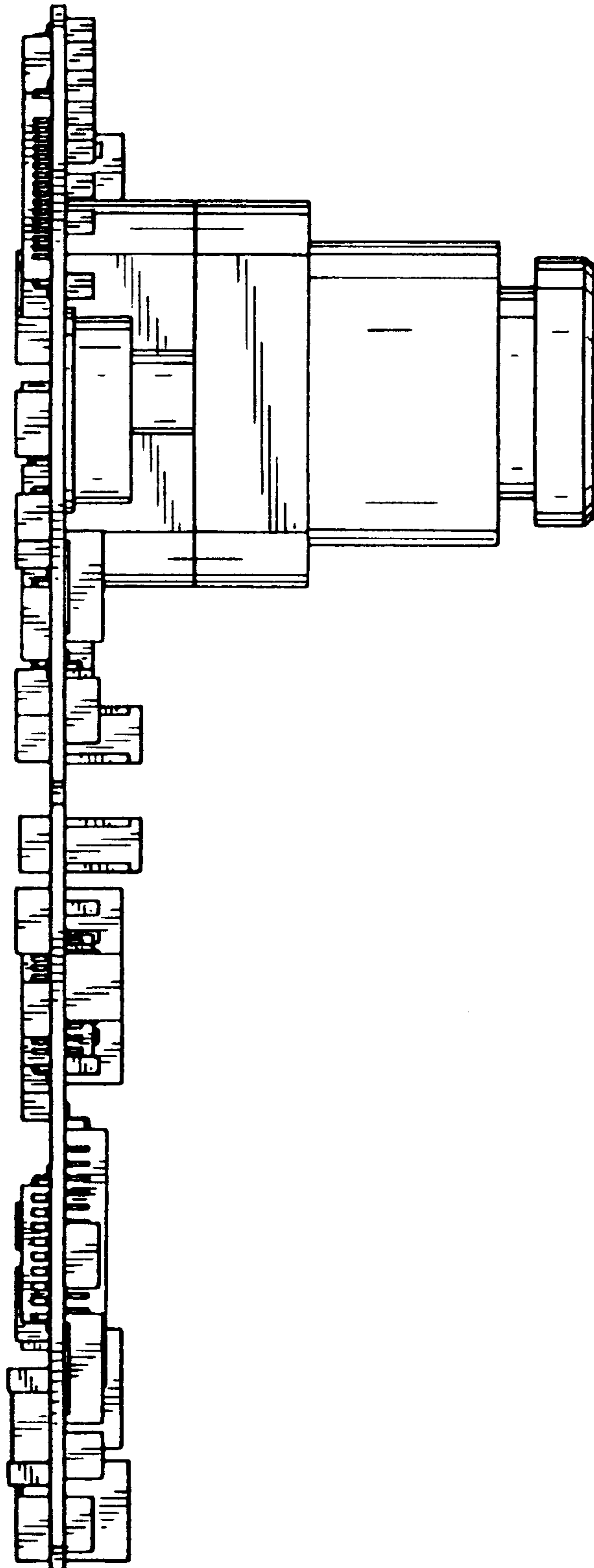


FIG. 7

