



US00D408832S

United States Patent [19] Kobayashi

[11] **Patent Number: Des. 408,832**

[45] **Date of Patent: **Apr. 27, 1999**

[54] **COMBINED VIDEO TAPE RECORDER AND CAMERA**

[75] Inventor: **Masaharu Kobayashi**, Tokyo, Japan

[73] Assignee: **Sony Corporation**, Tokyo, Japan

[**] Term: **14 Years**

[21] Appl. No.: **29/069,103**

[22] Filed: **Apr. 14, 1997**

Related U.S. Application Data

[62] Division of application No. 29/044,268, Sep. 21, 1995, Pat. No. Des. 381,996.

[51] **LOC (6) Cl.** **16-01**

[52] **U.S. Cl.** **D16/202**

[58] **Field of Search** D16/200-208;
348/373-376; 352/34, 242, 243; 358/906,
909.1; 396/535-543; H04N 5/225

[56] **References Cited**

U.S. PATENT DOCUMENTS

D. 288,811 3/1987 Kurokawa et al. D16/202
D. 316,555 4/1991 Ooi et al. D16/202
D. 322,266 12/1991 Ichiyoshi D16/202

D. 323,519 1/1992 Fukuda D16/202
D. 342,083 12/1993 Kondoh D16/202
D. 356,806 3/1995 Kim D16/202
D. 365,586 12/1995 Miyashita D16/202
D. 386,771 11/1997 Sekine D16/202
5,499,052 3/1996 Nakanishi et al. 348/373

OTHER PUBLICATIONS

Vidoe Magazine, Jun. 1992, p. 97 (Ricoh Camcorder).

Primary Examiner—Adir Aronovich

Attorney, Agent, or Firm—Foley & Lardner

[57] **CLAIM**

The ornamental design for a combined video tape recorder and camera, as shown and described.

DESCRIPTION

FIG. 1 is a perspective view of a combined video tape recorder and camera showing my new design; FIG. 2 is a top plan view thereof; FIG. 3 is a left side elevational view thereof; FIG. 4 is a front elevational view thereof; FIG. 5 is a bottom plan view thereof; FIG. 6 is a right side elevational view thereof; and, FIG. 7 is a rear elevational view thereof.

1 Claim, 4 Drawing Sheets

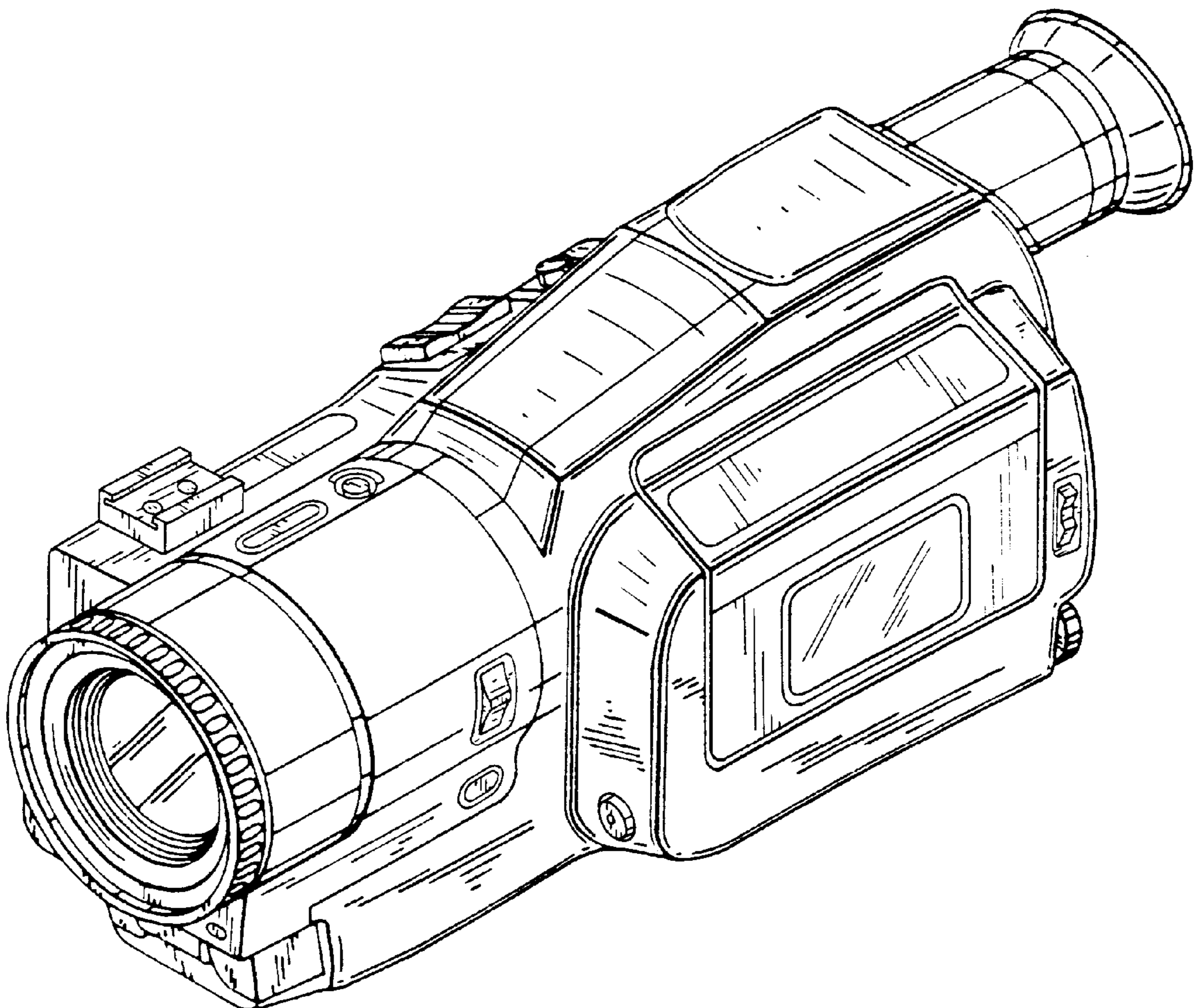


FIG. 1

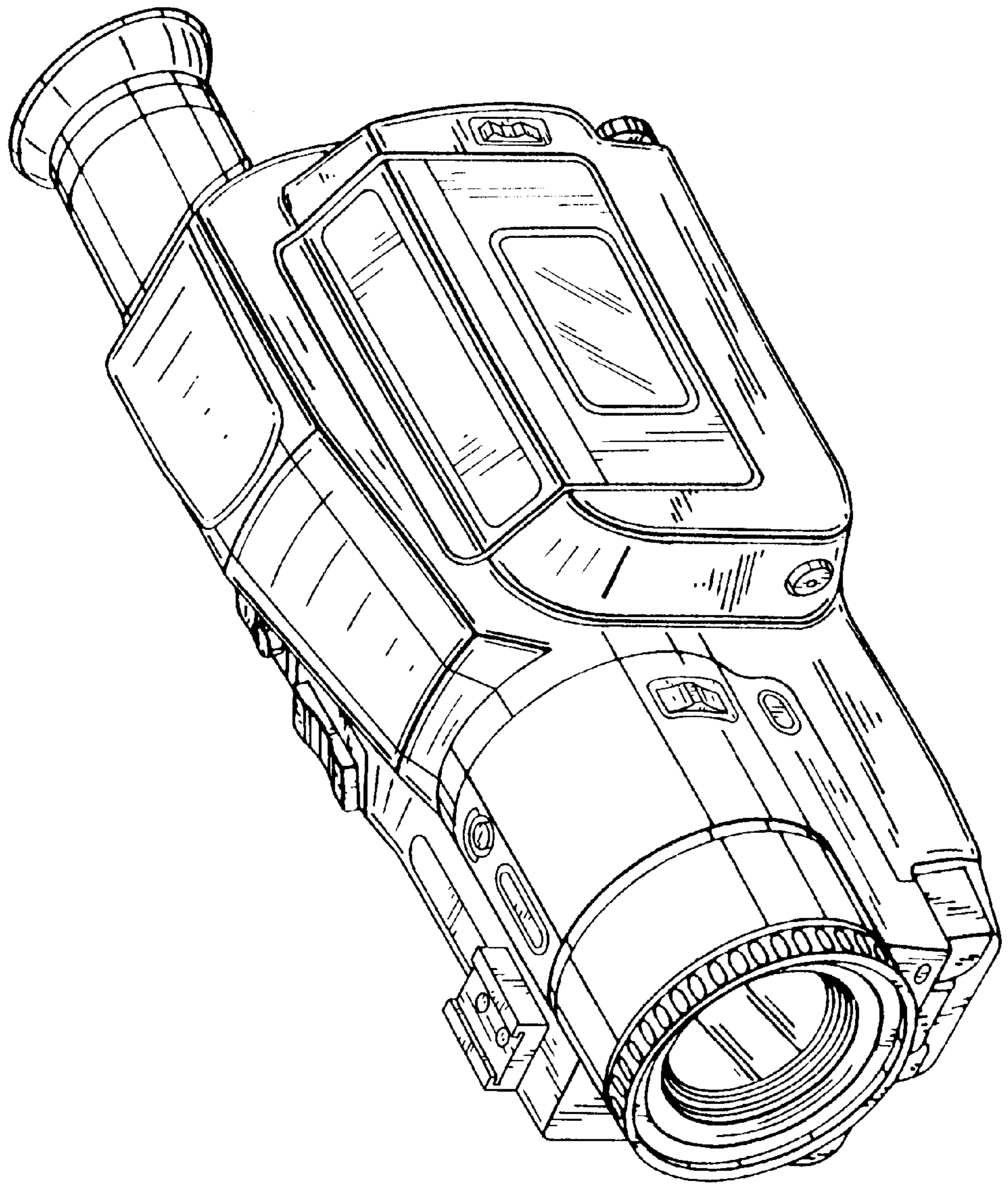


FIG.2

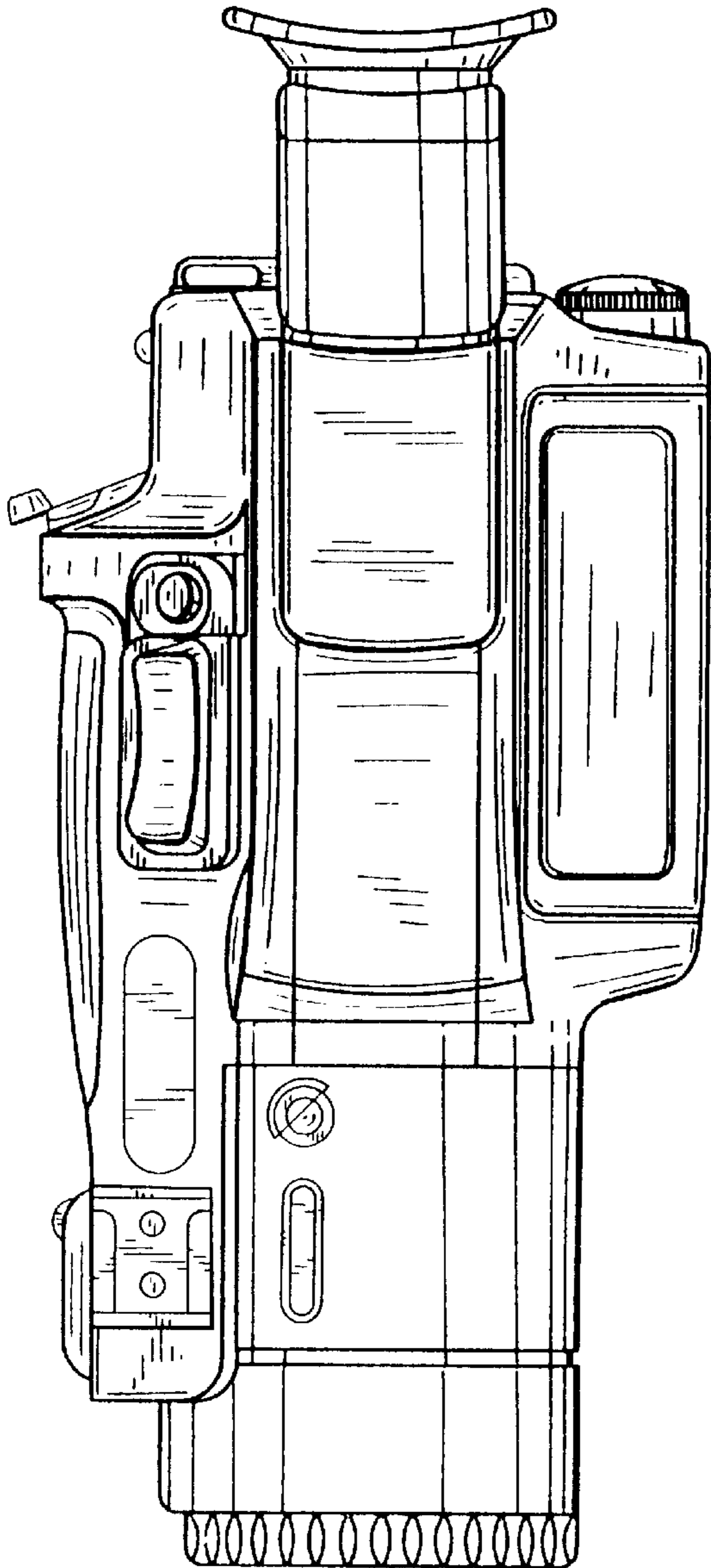


FIG.5

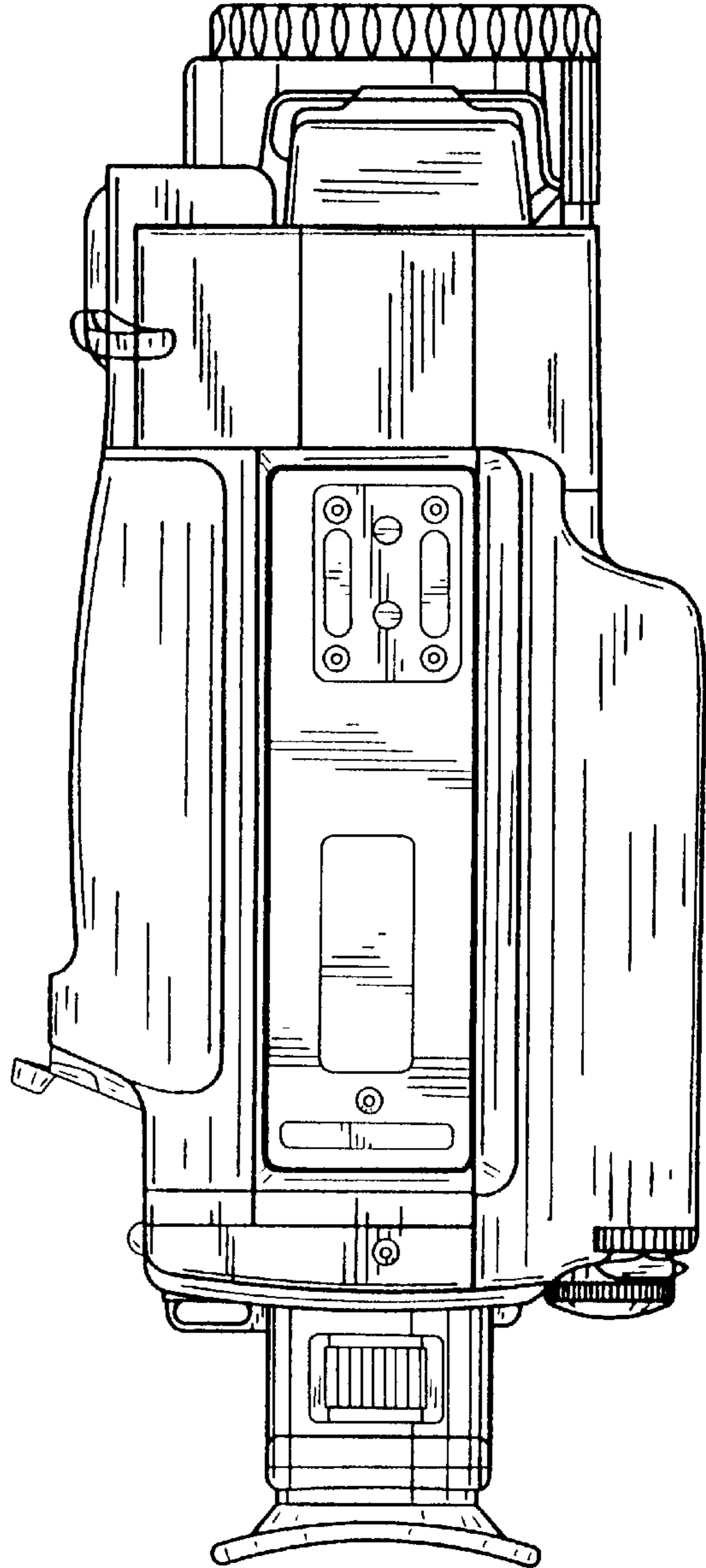


FIG.4

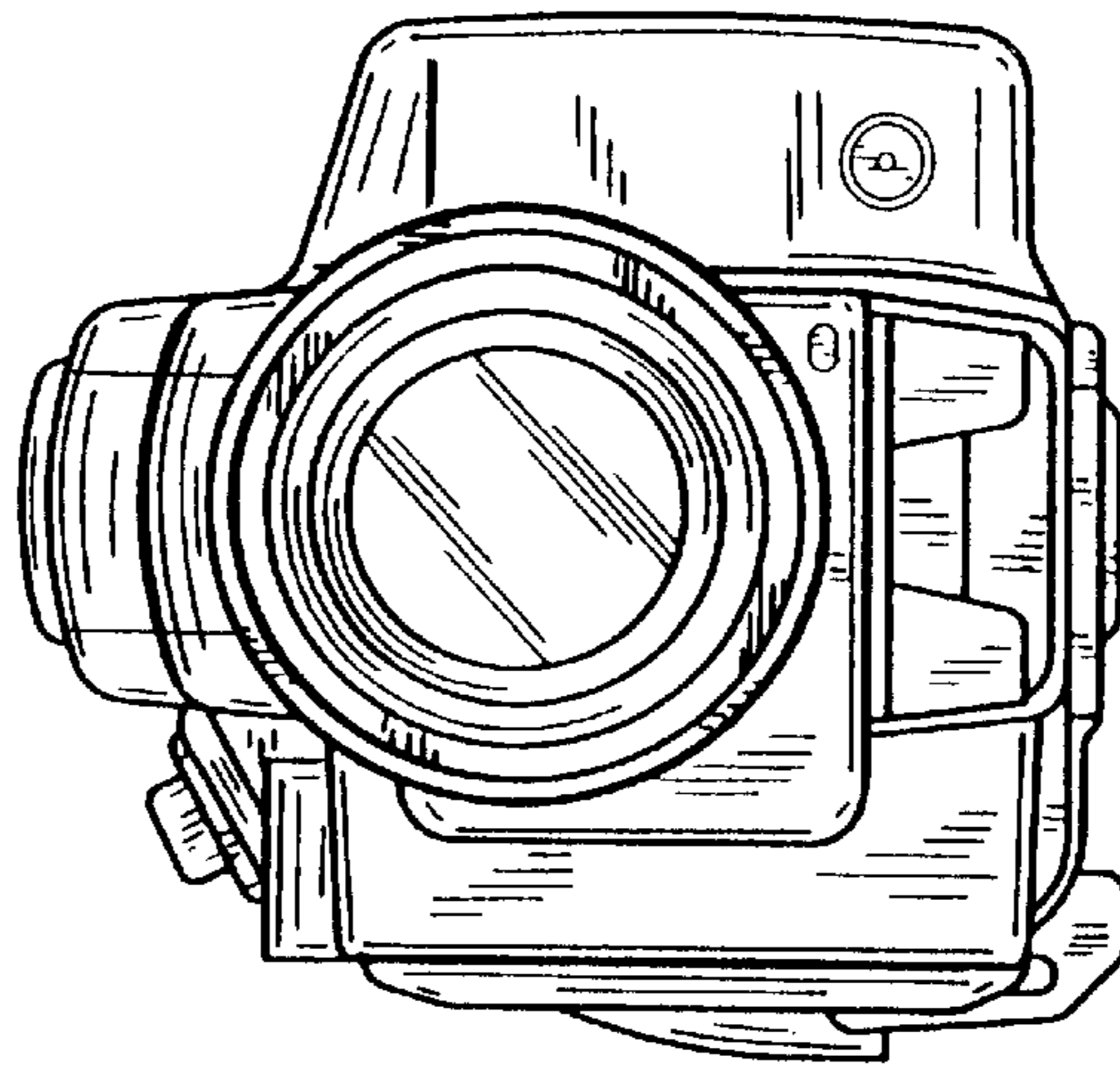


FIG.3

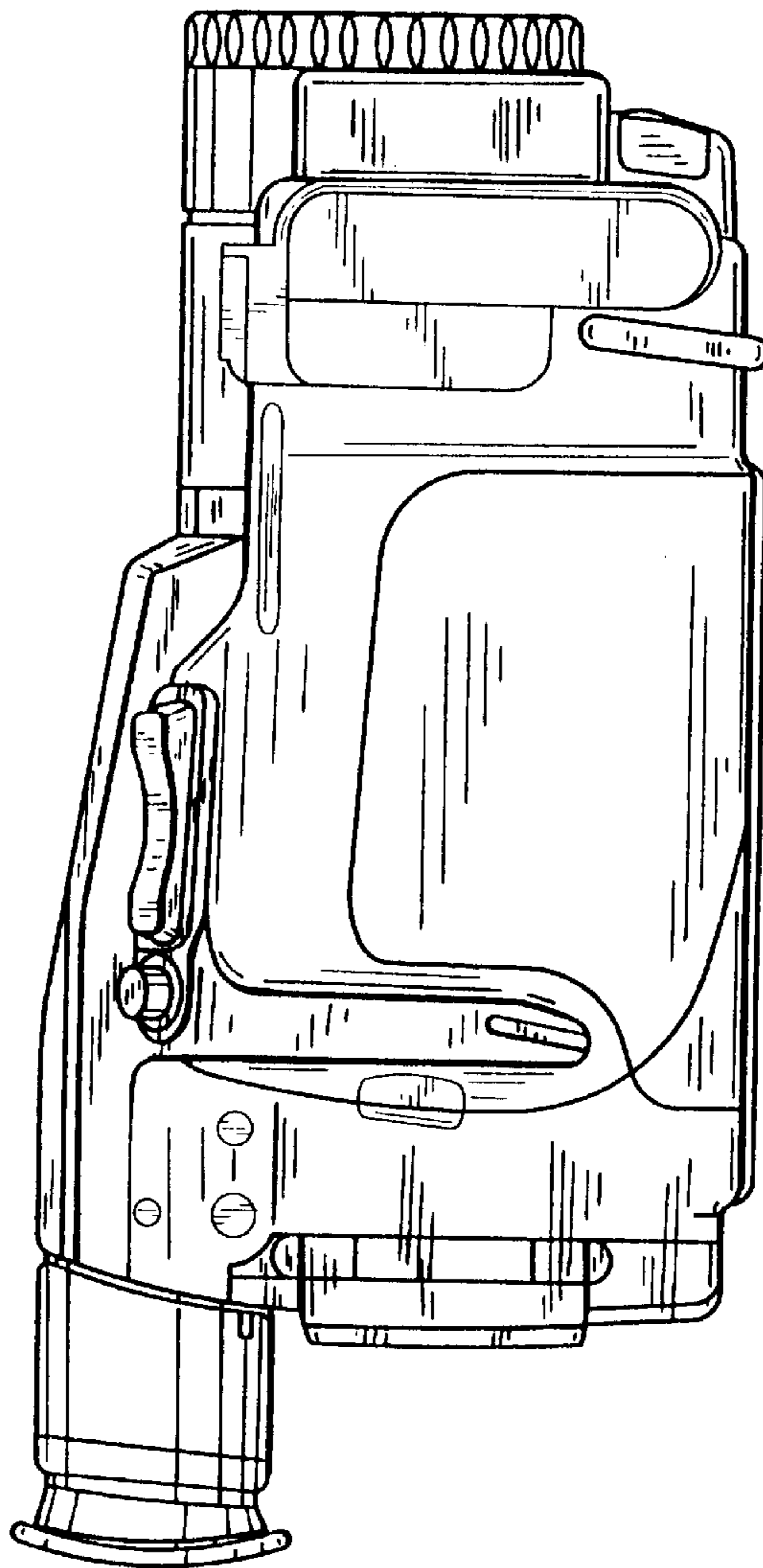


FIG. 7

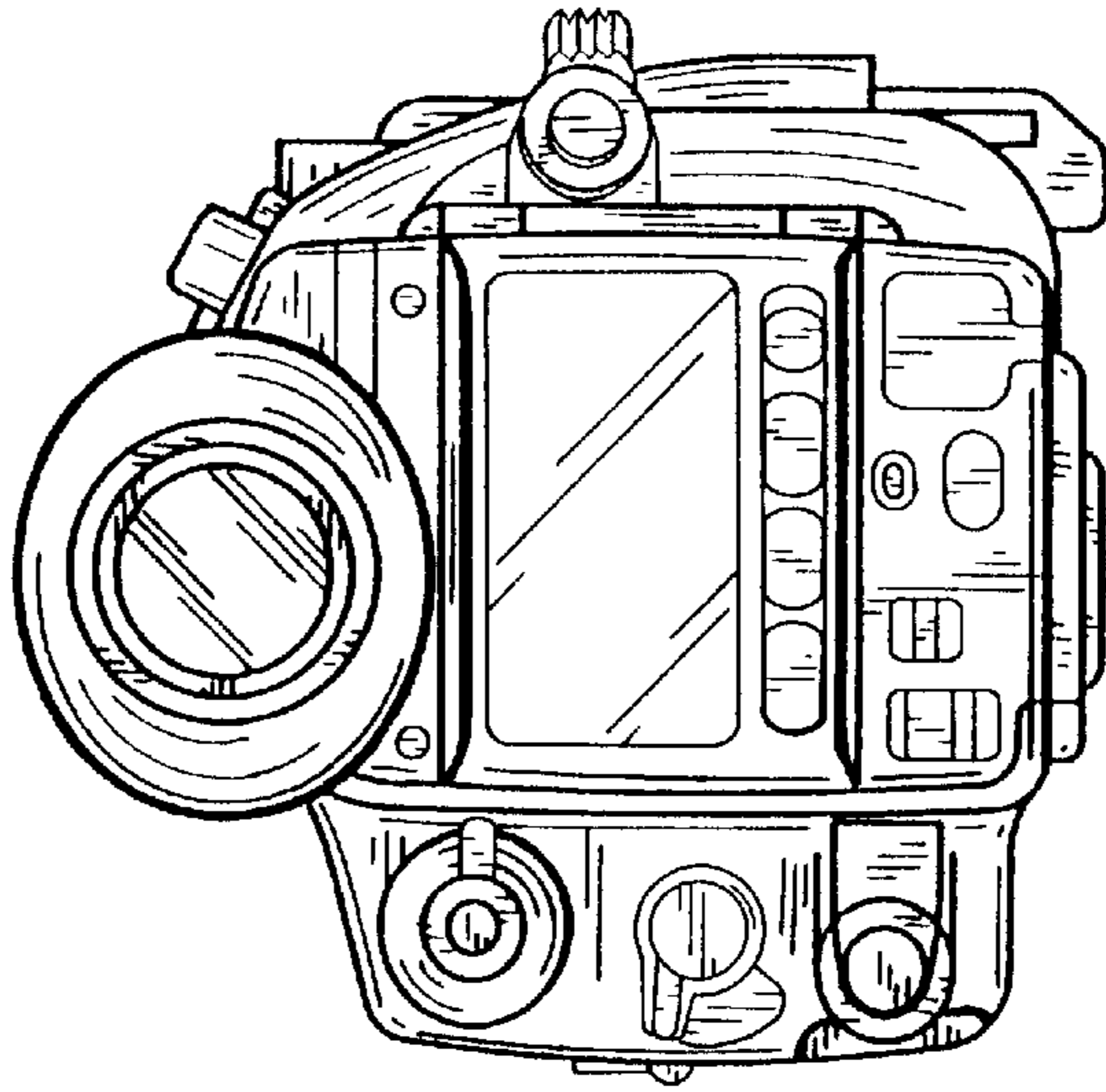


FIG. 6

