



US00D408829S

United States Patent [19]

Jones

[11] Patent Number: **Des. 408,829**

[45] Date of Patent: **** Apr. 27, 1999**

[54] **CAM SHAFT COVER**

[75] Inventor: **James R. Jones**, Town & Country, Mo.

[73] Assignee: **Midwest Motorcycle Supply Distributors Corp.**, Arnold, Mo.

[**] Term: **14 Years**

[21] Appl. No.: **29/090,858**

[22] Filed: **Jul. 17, 1998**

[51] **LOC (6) Cl.** **15-01**

[52] **U.S. Cl.** **D15/5**

[58] **Field of Search** D15/1-5; 74/606 R;
123/432

[56] **References Cited**

U.S. PATENT DOCUMENTS

- D. 155,741 10/1949 Sherman D15/5
- D. 339,142 9/1993 Middlebrook D15/5
- D. 342,956 1/1994 Karlsson et al. D15/5

Primary Examiner—Ralf Seifert
Attorney, Agent, or Firm—Howell & Haferkamp, L.C.

[57] **CLAIM**

The ornamental design for a cam shaft cover, as shown and described.

DESCRIPTION

FIG. 1 is a perspective view of a cam shaft cover showing my new design;
 FIG. 2 is a front elevational view of the cam shaft cover of FIG. 1;
 FIG. 3 is a left end elevational view of the cam shaft cover of FIG. 1;
 FIG. 4 is a right end elevational view of the cam shaft cover of FIG. 1;
 FIG. 5 is a top plan view of the cam shaft cover of FIG. 1;
 FIG. 6 is a bottom plan view of the cam shaft cover of FIG. 1; and,
 FIG. 7 is a rear elevational view of the cam shaft cover of FIG. 1.

1 Claim, 3 Drawing Sheets

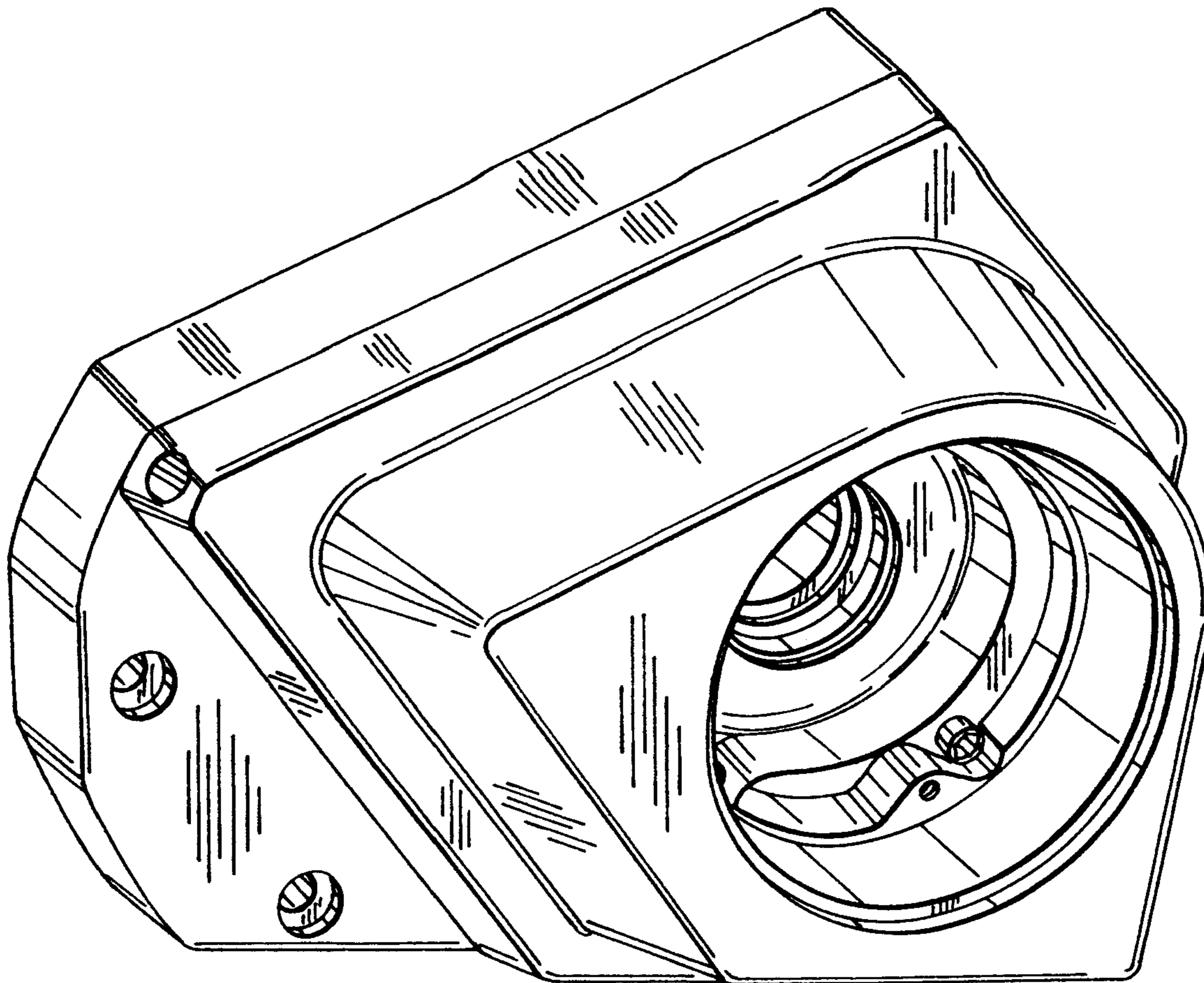


FIG. 1

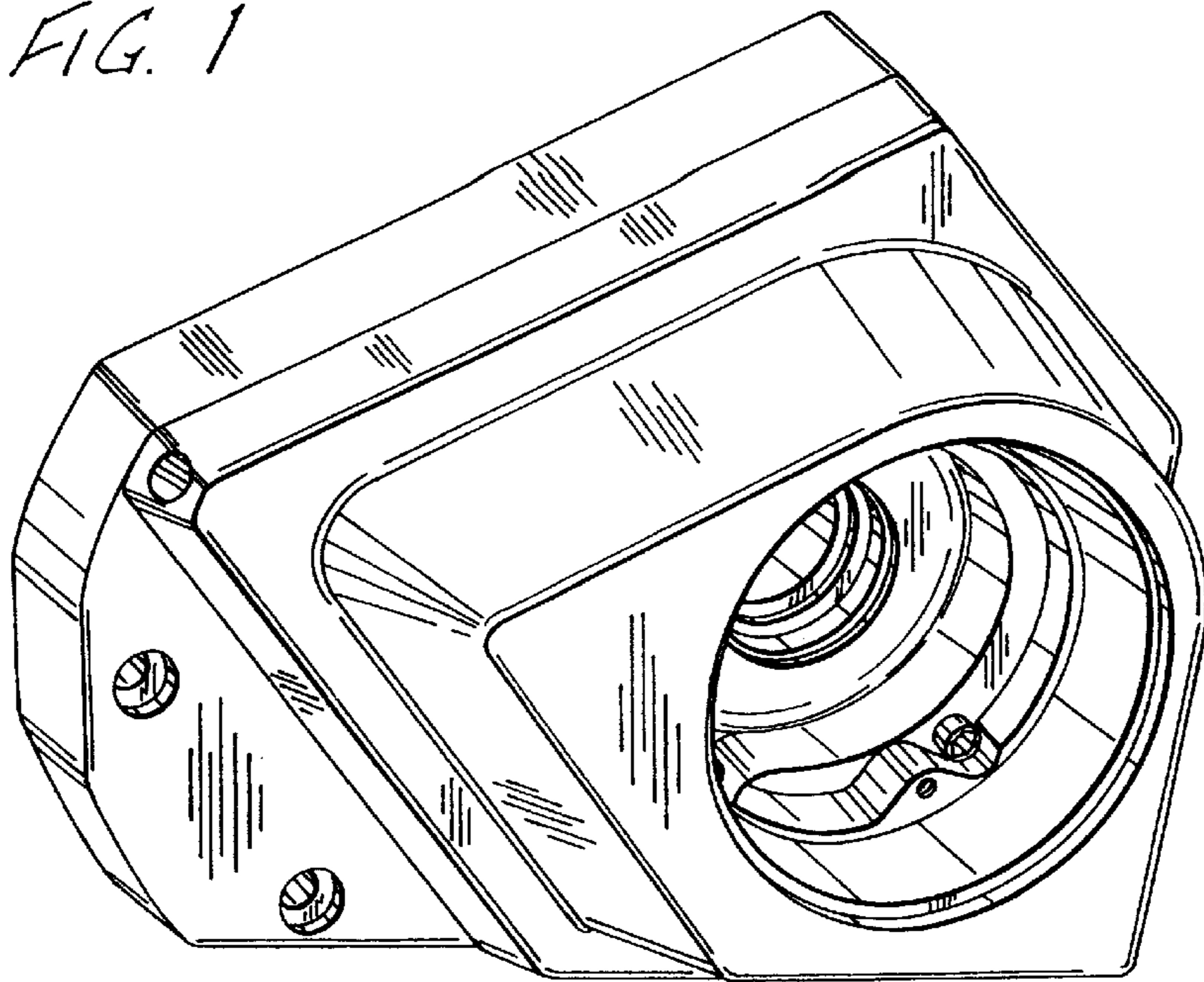
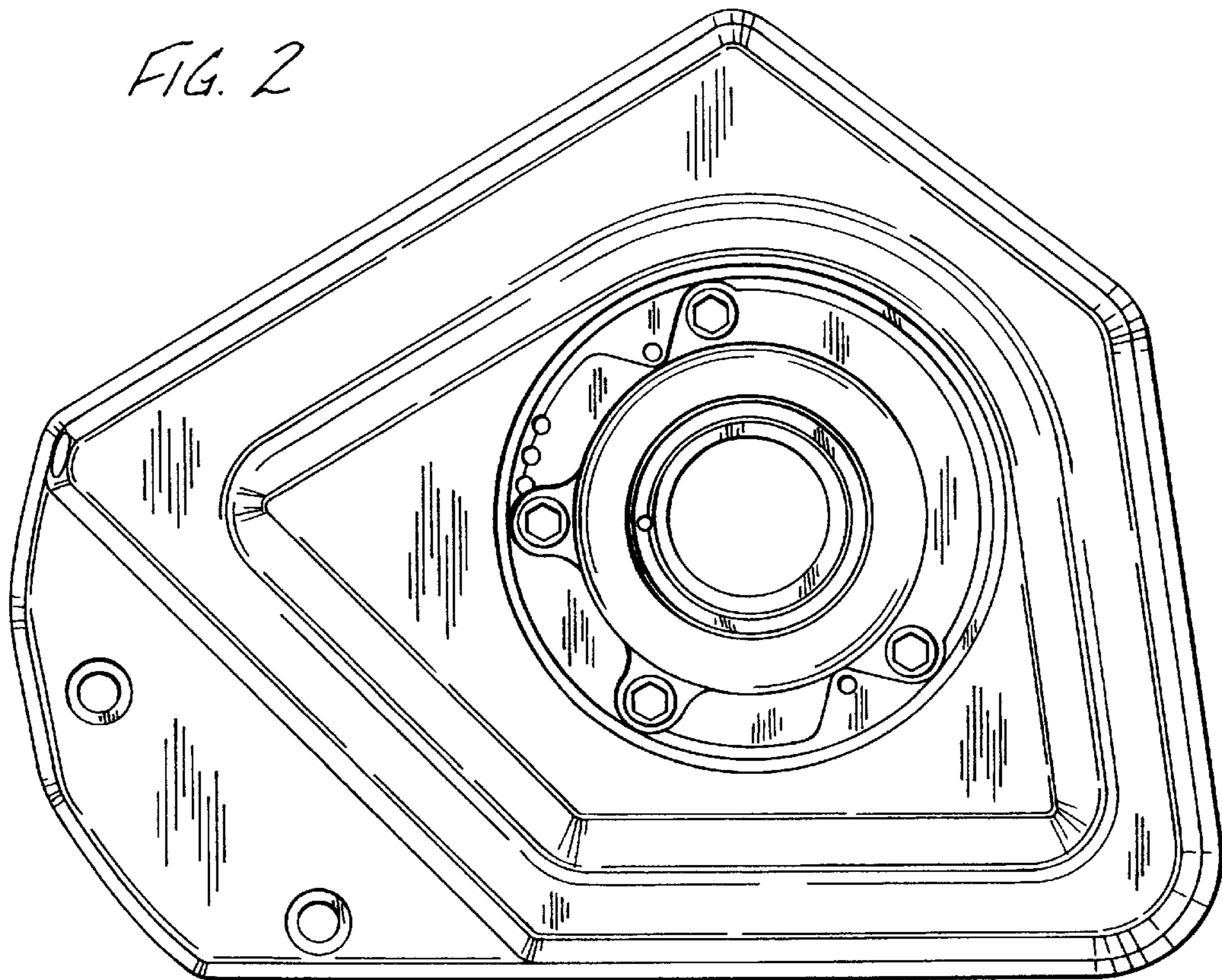


FIG. 2



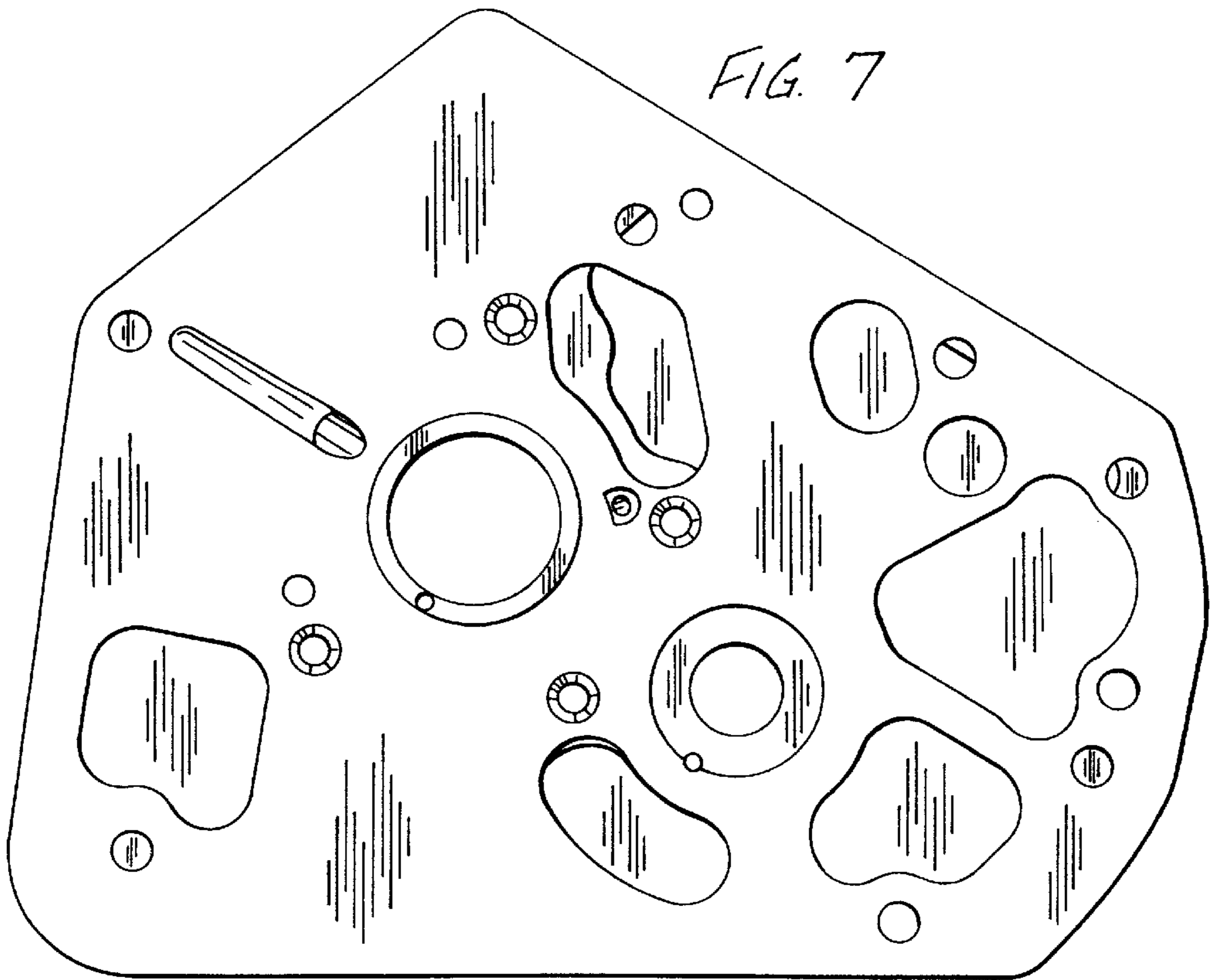
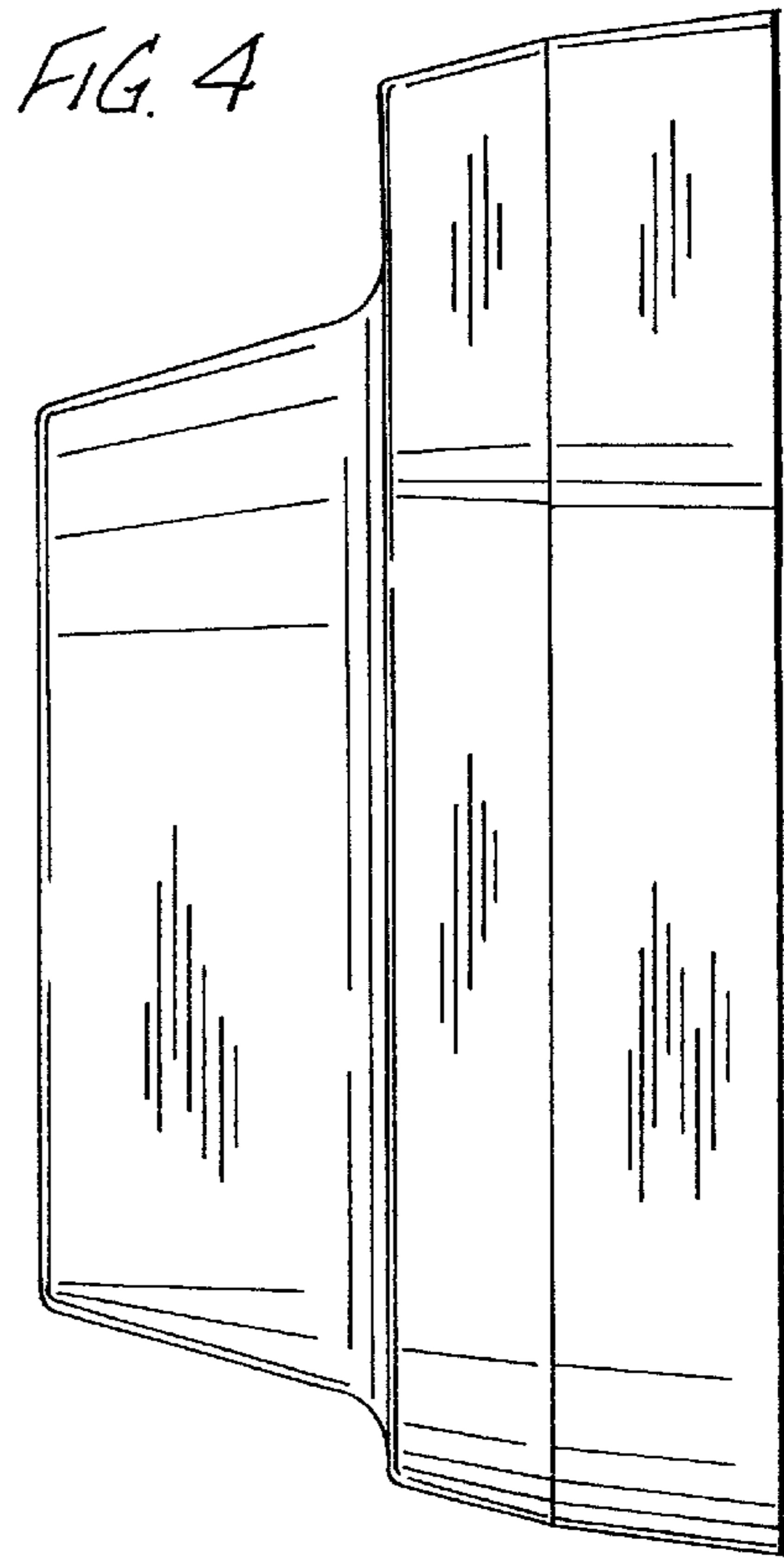
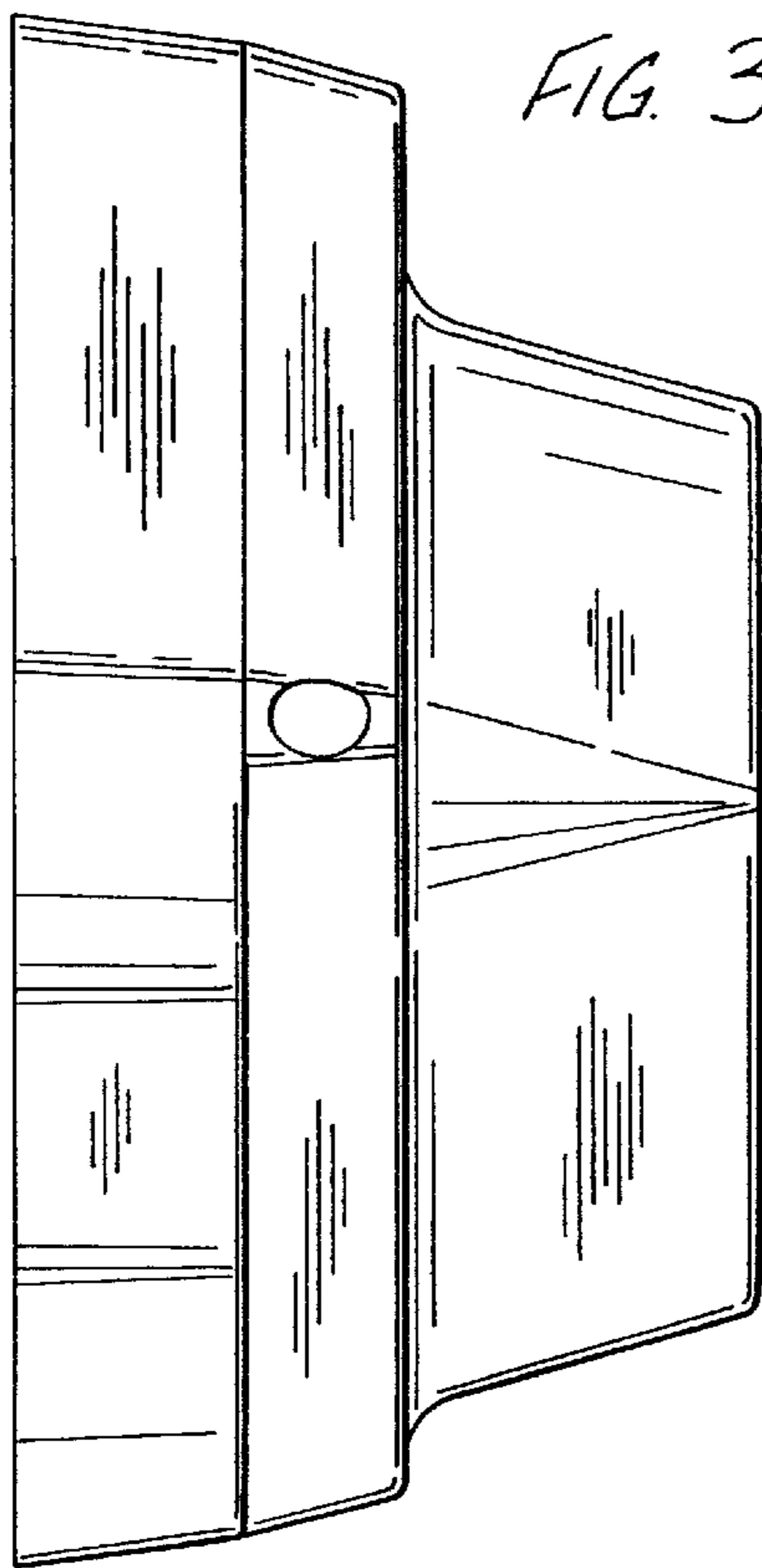


FIG. 5

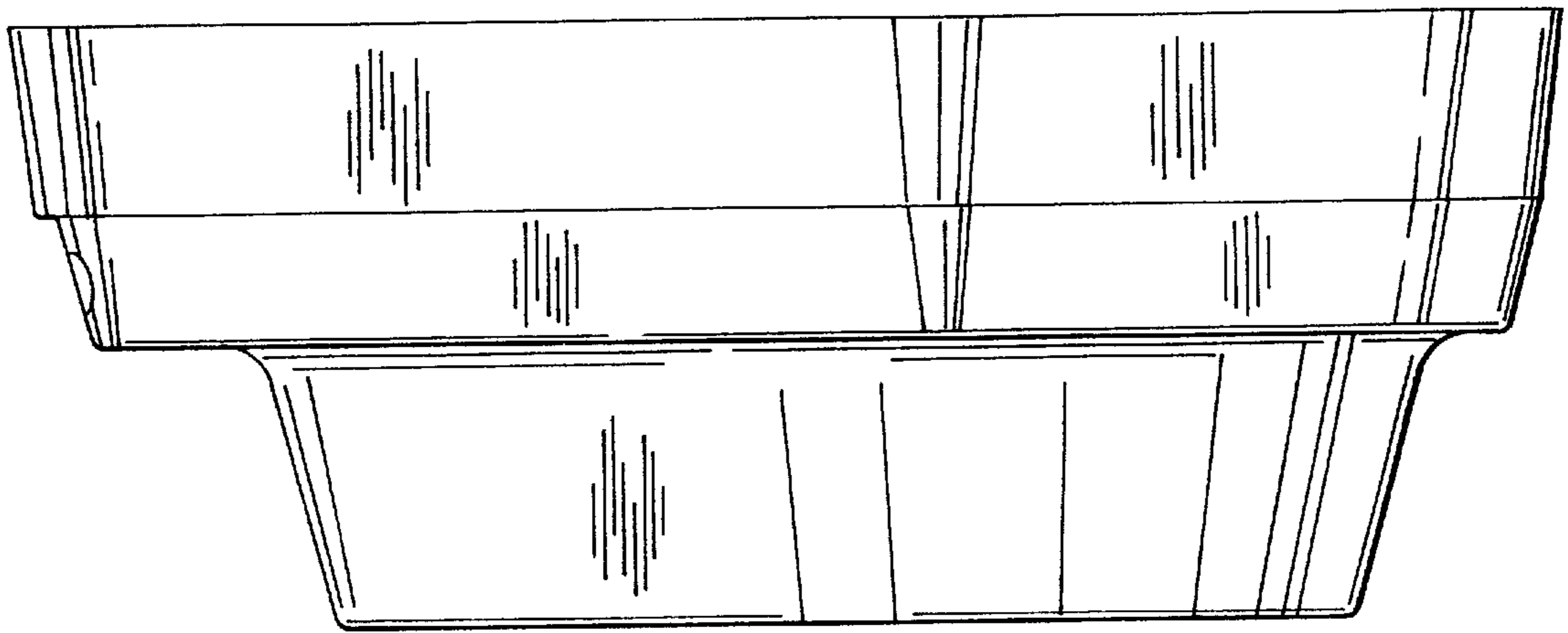


FIG. 6

