



US00D408826S

United States Patent [19]

Gargasz et al.

[11] Patent Number: Des. 408,826

[45] Date of Patent: **Apr. 27, 1999

[54] RADIATION SHIELDING DEVICE

[75] Inventors: John M. Gargasz, Hollis; John Sirois, Goffstown, both of N.H.

[73] Assignee: Codem Systems, Inc., Merrimack, N.H.

[**] Term: 14 Years

[21] Appl. No.: 29/070,540

[22] Filed: May 9, 1997

[51] LOC (6) Cl. 14-03

[52] U.S. Cl. D14/250

[58] Field of Search D14/140, 240, D14/249, 250, 218; 379/451, 452, 447, 439, 437, 446; D3/218; D6/610; 343/702, 841; 224/236, 240, 929; 455/90, 556, 550, 575

[56] References Cited

U.S. PATENT DOCUMENTS

D. 302,075	7/1989	Burger	D3/218
D. 328,190	7/1992	Kashef	224/240 X
D. 368,095	3/1996	McCallister III	D14/218
D. 395,749	7/1998	Jayez	D3/218
4,546,217	10/1985	Frehn	379/452
5,335,366	8/1994	Daniels	455/90 X

5,338,896	8/1994	Danforth	343/841 X
5,444,866	8/1995	Cykiert	455/89
5,550,552	8/1996	Oxley	343/702
5,613,221	3/1997	Hunt	379/447 X
5,752,632	5/1998	Sanderson et al.	D3/218 X

Primary Examiner—Jeffrey Asch
Attorney, Agent, or Firm—Bourque & Associates P.A.

[57] CLAIM

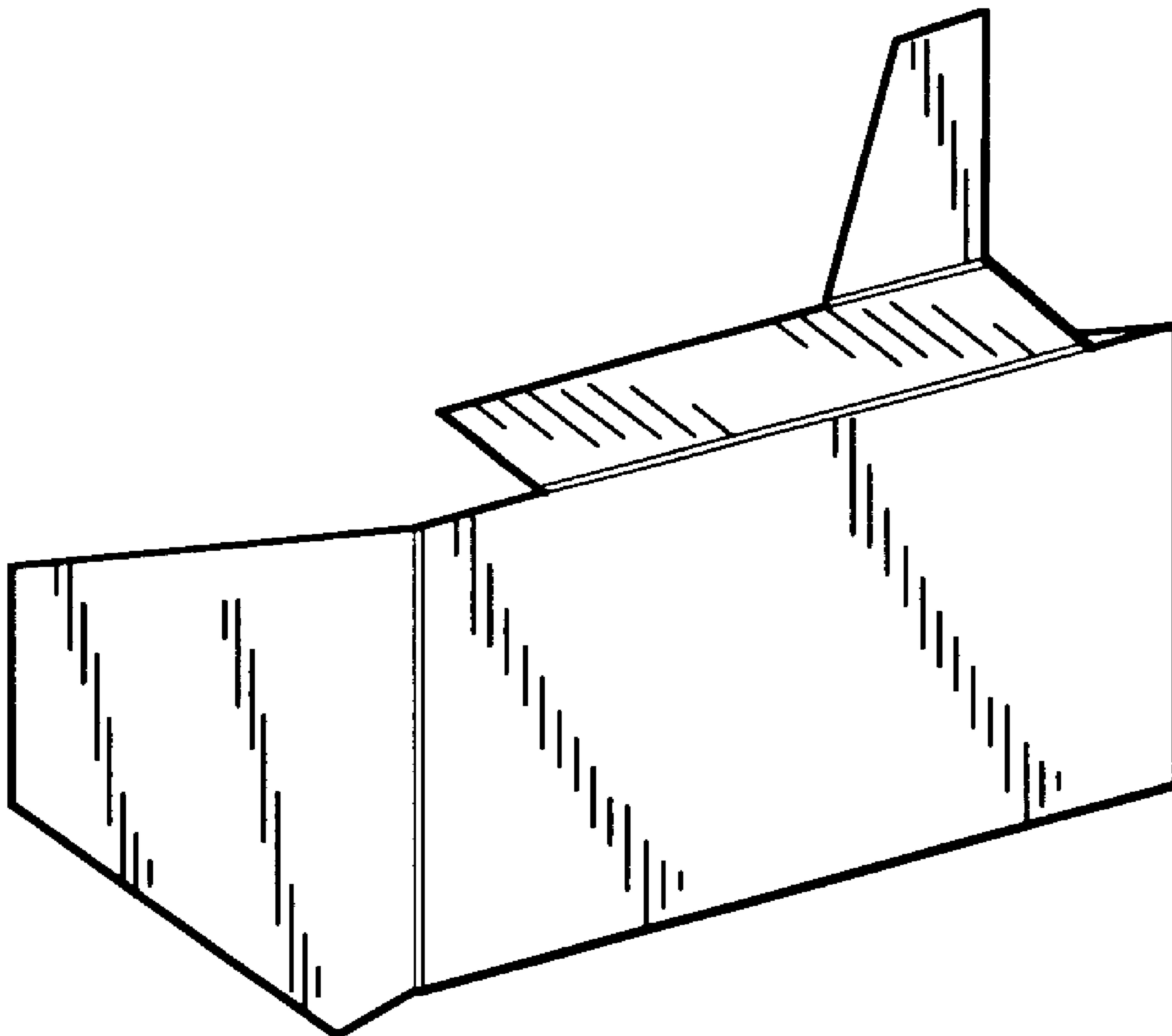
The ornamental design for a radiation shielding device, as shown and described.

DESCRIPTION

FIG. 1 is a top plan view of a radiation shielding device showing our new design; FIG. 2 is a bottom plan view thereof; FIG. 3 is a top view of the radiation shielding device of the invention used in a telephone cover device shown with broken lines; and, FIG. 4 is a perspective view of the radiation shield formed into the shape used to shield radiation from a telephone (not shown).

The radiation shielding device has no substantial thickness. The broken line showing of a telephone cover device in FIG. 3 is for illustrative purposes only and forms no part of the claimed design.

1 Claim, 3 Drawing Sheets



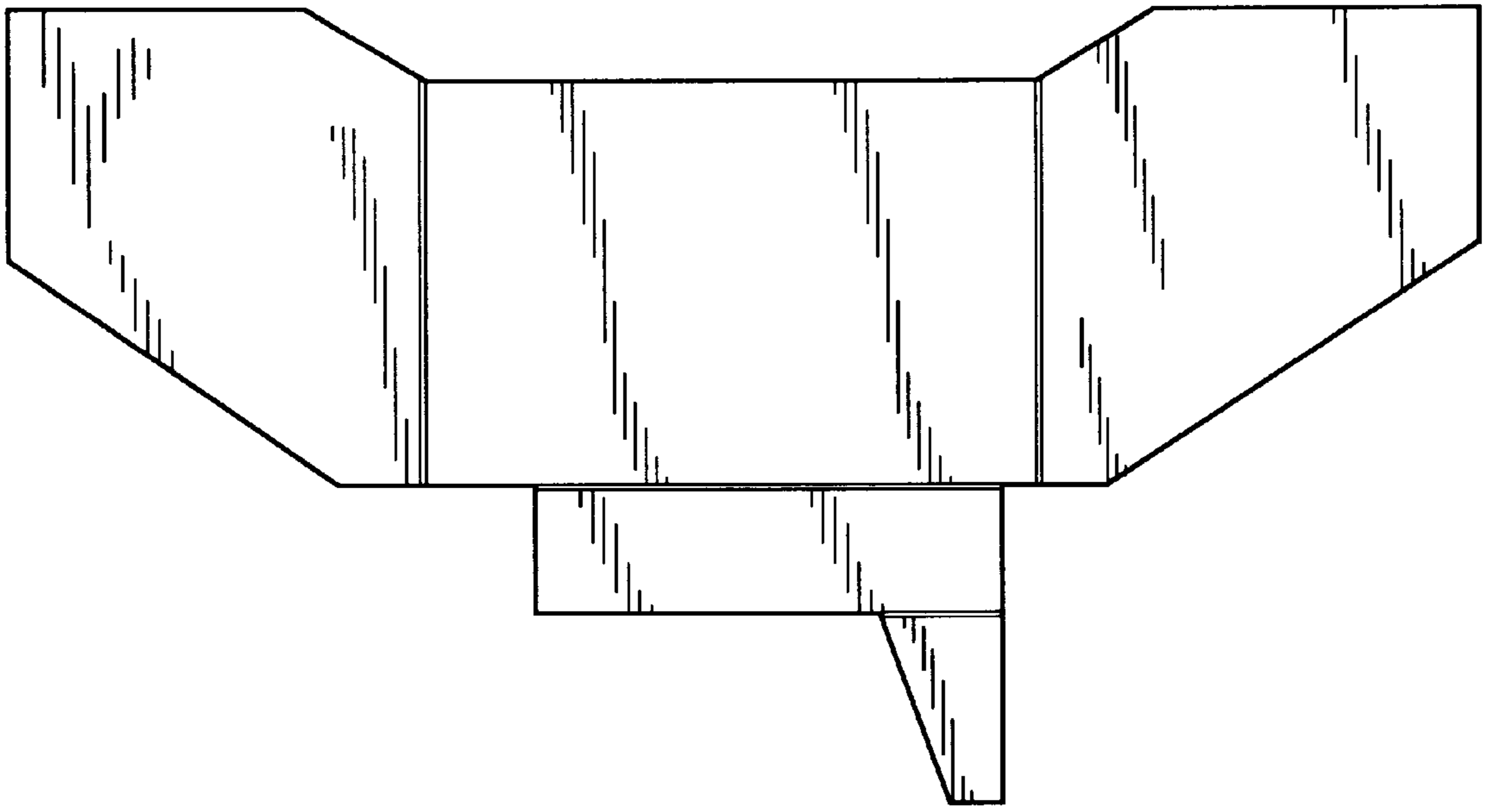


FIG. 1

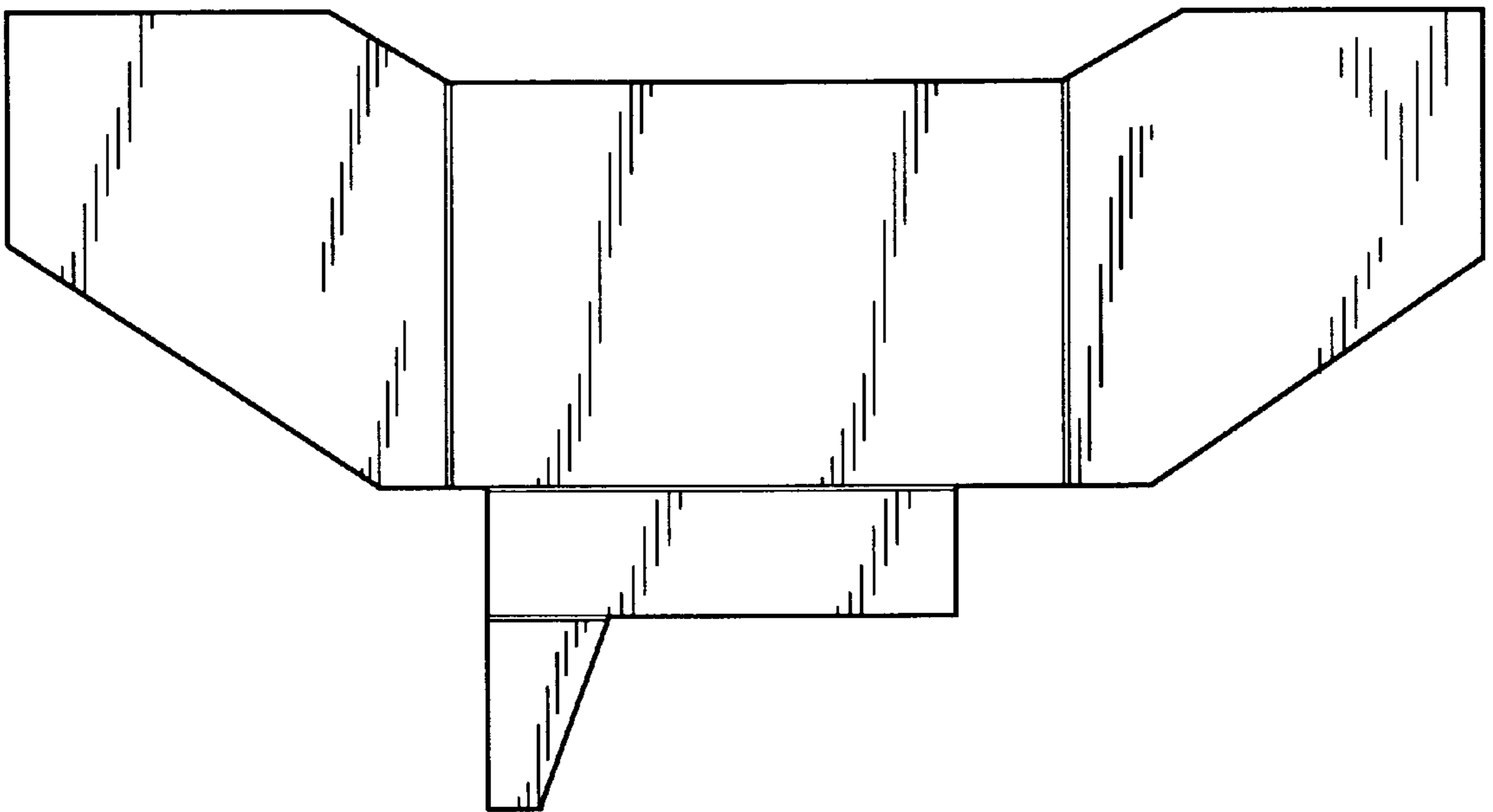


FIG. 2

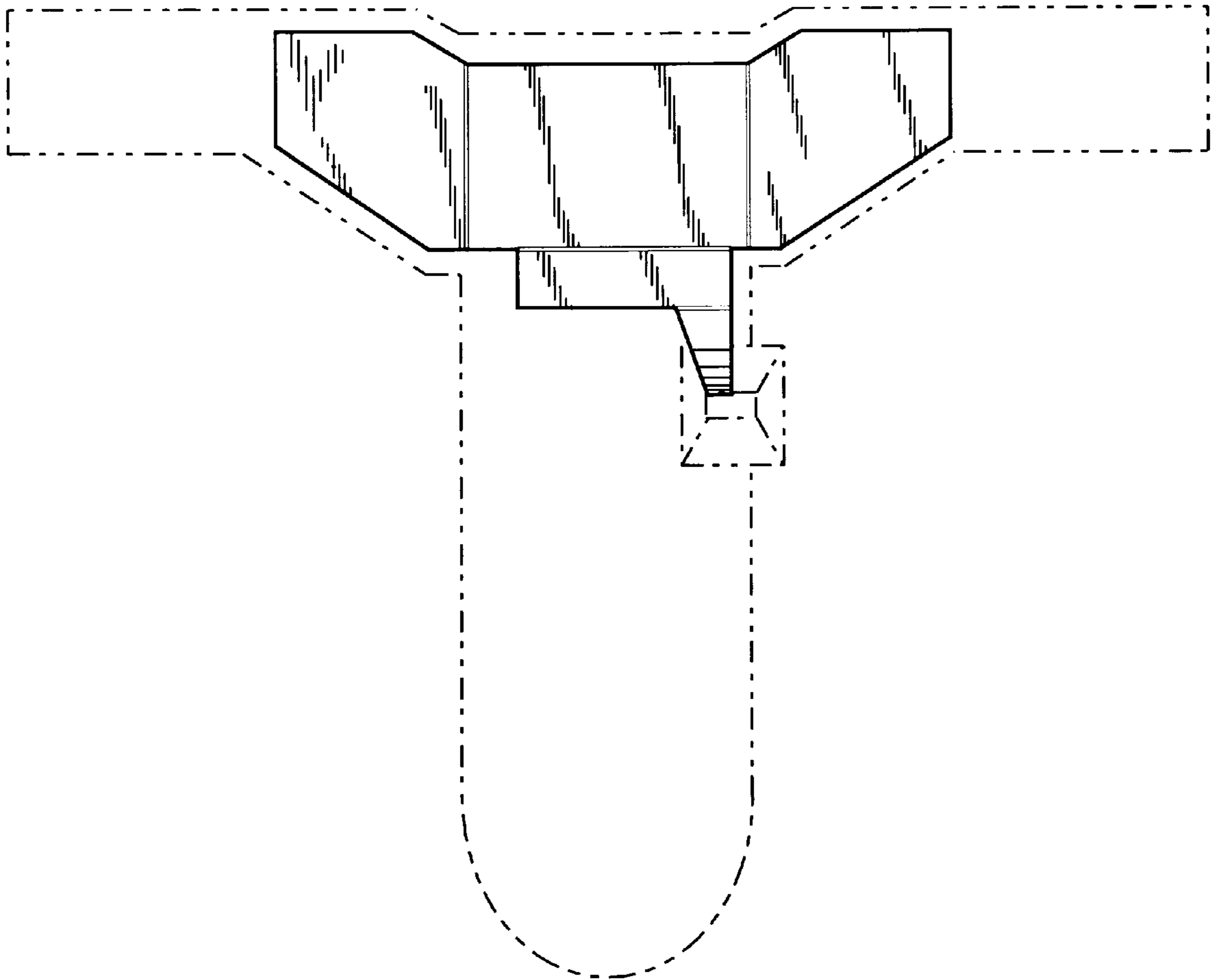


FIG. 3

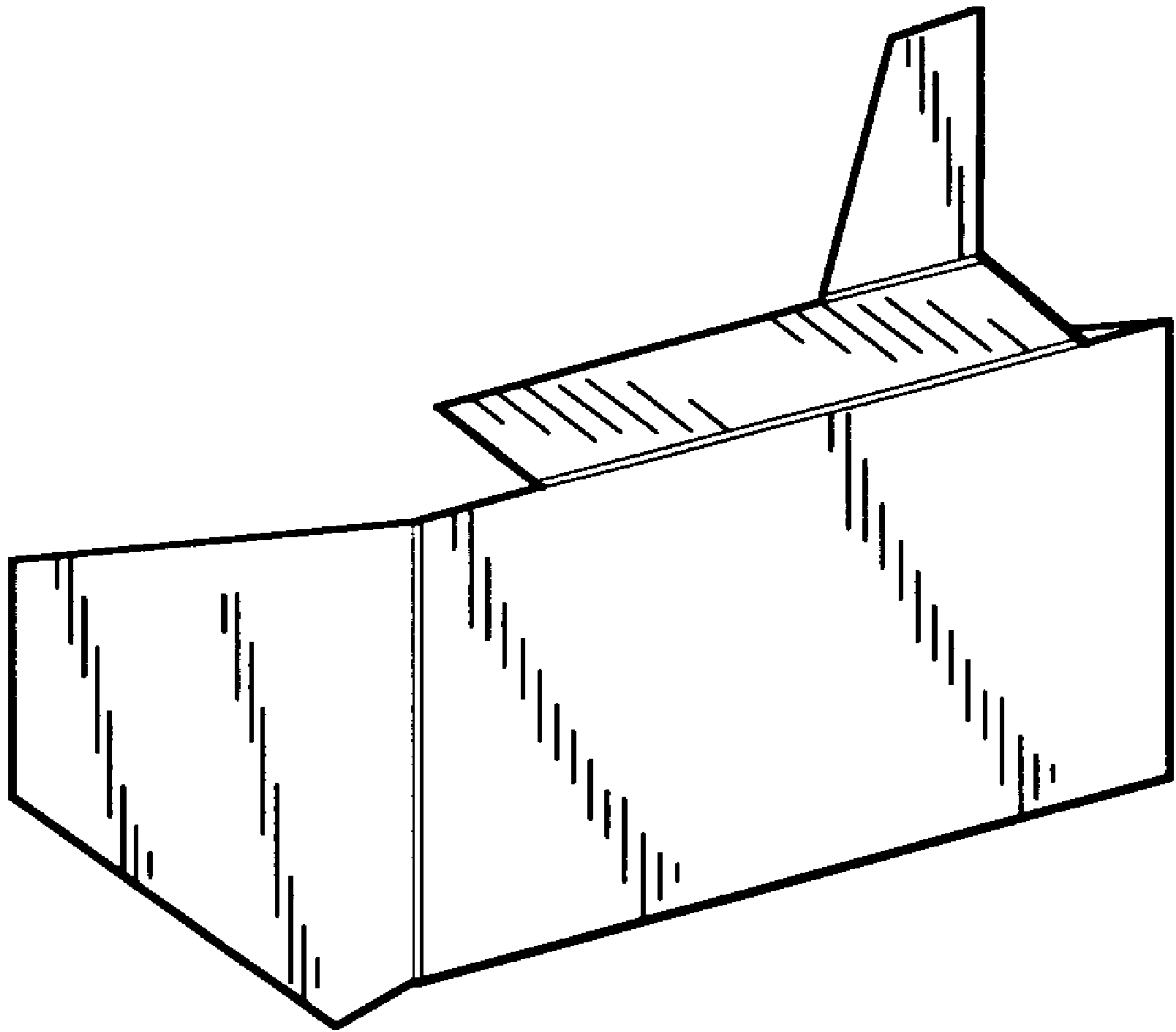


FIG. 4