



US00D408824S

United States Patent [19]

Johansson et al.

[11] Patent Number: **Des. 408,824**

[45] Date of Patent: ****Apr. 27, 1999**

[54] **HANDSET KEY ARRAY AND DISPLAY**

[75] Inventors: **Panu Johansson**, Tampere, Finland;
Marc Tappeiner, Santa Barbara;
Sheldon Phillips, Agoura, both of Calif.

[73] Assignee: **Nokia Mobile Phones Limited**, Espoo,
Finland

[**] Term: **14 Years**

[21] Appl. No.: **29/084,281**

[22] Filed: **Feb. 27, 1998**

[51] **LOC (6) Cl.** **14-03**

[52] **U.S. Cl.** **D14/247; D14/138**

[58] **Field of Search** D14/137, 138,
D14/147-148, 247-248, 250, 218, 140-142;
379/433, 434, 419, 420, 428, 440; 455/550,
575, 90, 556, 558; D13/168

[56] References Cited

U.S. PATENT DOCUMENTS

D. 289,896	5/1987	Martensson et al.	D14/53
D. 299,719	2/1989	Martensson et al.	D14/138
D. 302,423	7/1989	Martensson et al.	D14/138
D. 320,984	10/1991	Tattari	D14/138
D. 325,576	4/1992	Pitkonen	D14/138
D. 325,577	4/1992	Karlin	D14/138
D. 334,926	4/1993	Hunt et al.	D14/138
D. 339,338	9/1993	Tattari et al.	D14/138
D. 341,138	11/1993	Cummings	D14/138
D. 345,734	4/1994	Seymour et al.	D14/138
D. 349,112	7/1994	Tattari	D14/138
D. 352,708	11/1994	Rossi	D14/138
D. 353,807	12/1994	White	D14/138
D. 353,809	12/1994	Nuovo et al.	D14/138
D. 354,284	1/1995	White	D14/138
D. 356,561	3/1995	Berry	D14/138
D. 356,562	3/1995	Nuovo	D14/138

D. 356,563	3/1995	Berry	D14/138
D. 359,283	6/1995	Rudkiewicz	D14/149
D. 361,328	8/1995	White	D14/138
D. 361,762	8/1995	Berry	D14/138
D. 364,620	11/1995	Prior et al.	D14/147
D. 373,764	9/1996	Nagele et al.	D14/138
D. 374,006	9/1996	Tattari	D14/138
D. 374,007	9/1996	Tattari	D14/138
D. 376,142	12/1996	Matsumoto	D14/147 X
D. 384,950	10/1997	Park	D14/138
D. 385,554	10/1997	Nuovo et al.	D14/138
D. 385,876	11/1997	Park	D14/138
D. 385,887	11/1997	Park	D14/250
D. 386,188	11/1997	Park	D14/250
D. 388,080	12/1997	Harris et al.	D14/138
D. 388,784	1/1998	Phillips et al.	D14/138
D. 390,555	2/1998	Finke-Anlauff	D14/138
D. 396,230	7/1998	Phillips et al.	D14/138

OTHER PUBLICATIONS

Mobile Computing and Communications, Samsung telephone, Feb. 1998.

Primary Examiner—Jeffrey Asch
Attorney, Agent, or Firm—Perman & Green, LLP

[57] CLAIM

The ornamental design for a “handset key array and display”, as shown and described.

DESCRIPTION

FIG. 1 is a front elevational view of a handset key array and display showing our new design;
FIG. 2 is a front, right side and bottom perspective view thereof; and,
FIG. 3 is a front, left side and top perspective view thereof. The dotted lines showing the outline of a portable electronic radio frequency communication device is for illustration purposes only and forms no part of the claimed invention.

1 Claim, 3 Drawing Sheets

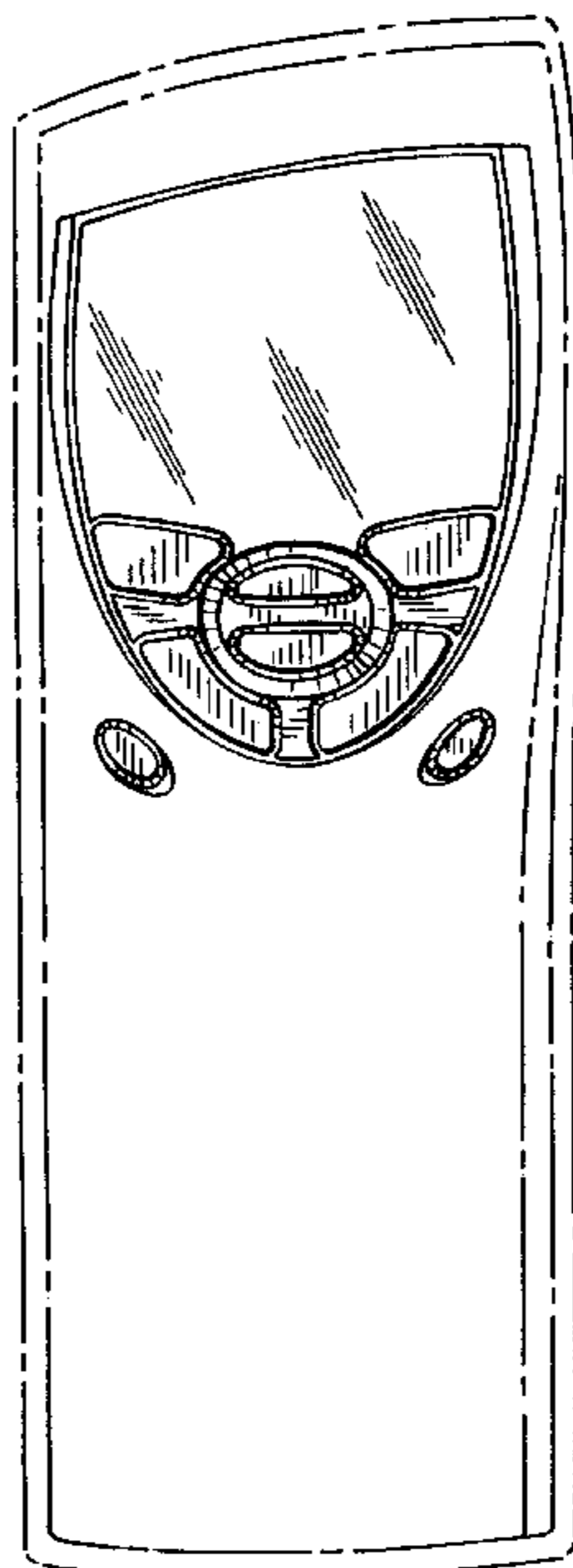


FIG. 1

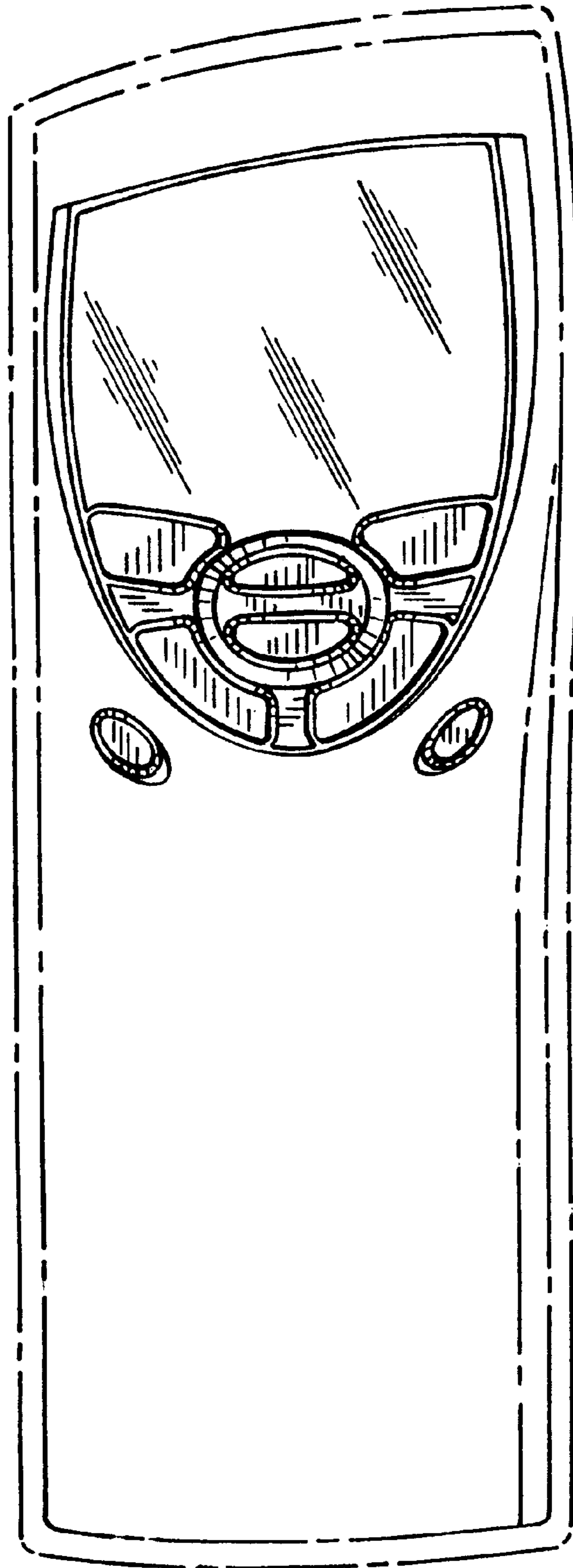


FIG. 2

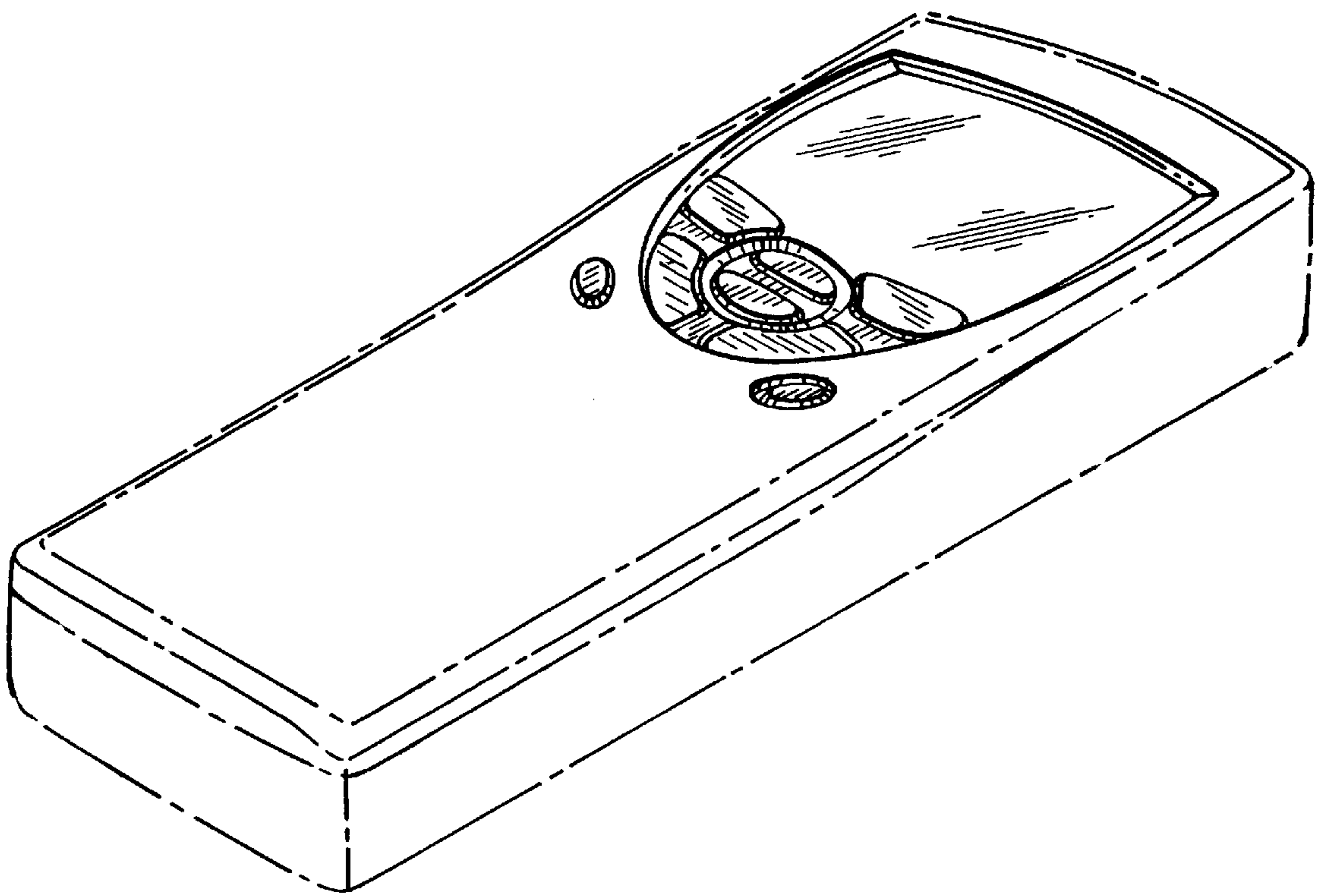


FIG. 3

