



US00D408817S

United States Patent [19] Ishibashi

[11] **Patent Number: Des. 408,817**

[45] **Date of Patent: **Apr. 27, 1999**

[54] **TELEPHONE**

[75] Inventor: **Yasuhiro Ishibashi**, Tokyo, Japan

[73] Assignee: **Sony Corporation**, Tokyo, Japan

[**] Term: **14 Years**

[21] Appl. No.: **29/082,655**

[22] Filed: **Jan. 29, 1998**

[30] **Foreign Application Priority Data**

Aug. 1, 1997 [JP] Japan 9-63499

[51] **LOC (6) Cl. 14-03**

[52] **U.S. Cl. D14/149**

[58] **Field of Search** D14/137, 138,
D14/141, 148, 147, 149-151, 140-142,
240, 241; 379/433-436, 419, 420, 428,
440, 67.1, 70

[56] **References Cited**

U.S. PATENT DOCUMENTS

- D. 298,318 11/1988 Doi D14/141
- D. 303,386 9/1989 Iino D14/151 X
- D. 305,025 12/1989 Iino D14/142
- D. 306,730 3/1990 Sugano et al. D14/151
- D. 318,051 7/1991 Danielson et al. D14/142
- D. 324,681 3/1992 Klucznik et al. D14/141
- D. 339,342 9/1993 Chan D14/149

- D. 369,798 5/1996 Kong et al. D14/149
- D. 372,912 8/1996 Yamada D14/151
- D. 378,588 3/1997 Tanaka D14/150
- D. 395,304 6/1998 Mori et al. D14/151 X

OTHER PUBLICATIONS

B.A. Pargh catalog, p. 326, 623LSR Lonestar phone at bottom left, Mar. 1992.
Catalog "84", p. 163, Sony (Nov., 1996).

Primary Examiner—Jeffrey Asch
Attorney, Agent, or Firm—Foley & Lardner

[57] **CLAIM**

The ornamental design for a telephone, as shown and described.

DESCRIPTION

FIG. 1 is a perspective view of a telephone showing my new design;
FIG. 2 is a perspective view thereof wherein the hand set is in the using condition;
FIG. 3 is a top plan view of the first embodiment;
FIG. 4 is a left side elevational view thereof;
FIG. 5 is a front elevational view thereof;
FIG. 6 is a bottom plan view thereof;
FIG. 7 is a right side elevational view thereof; and,
FIG. 8 is a rear elevational view thereof.

1 Claim, 4 Drawing Sheets

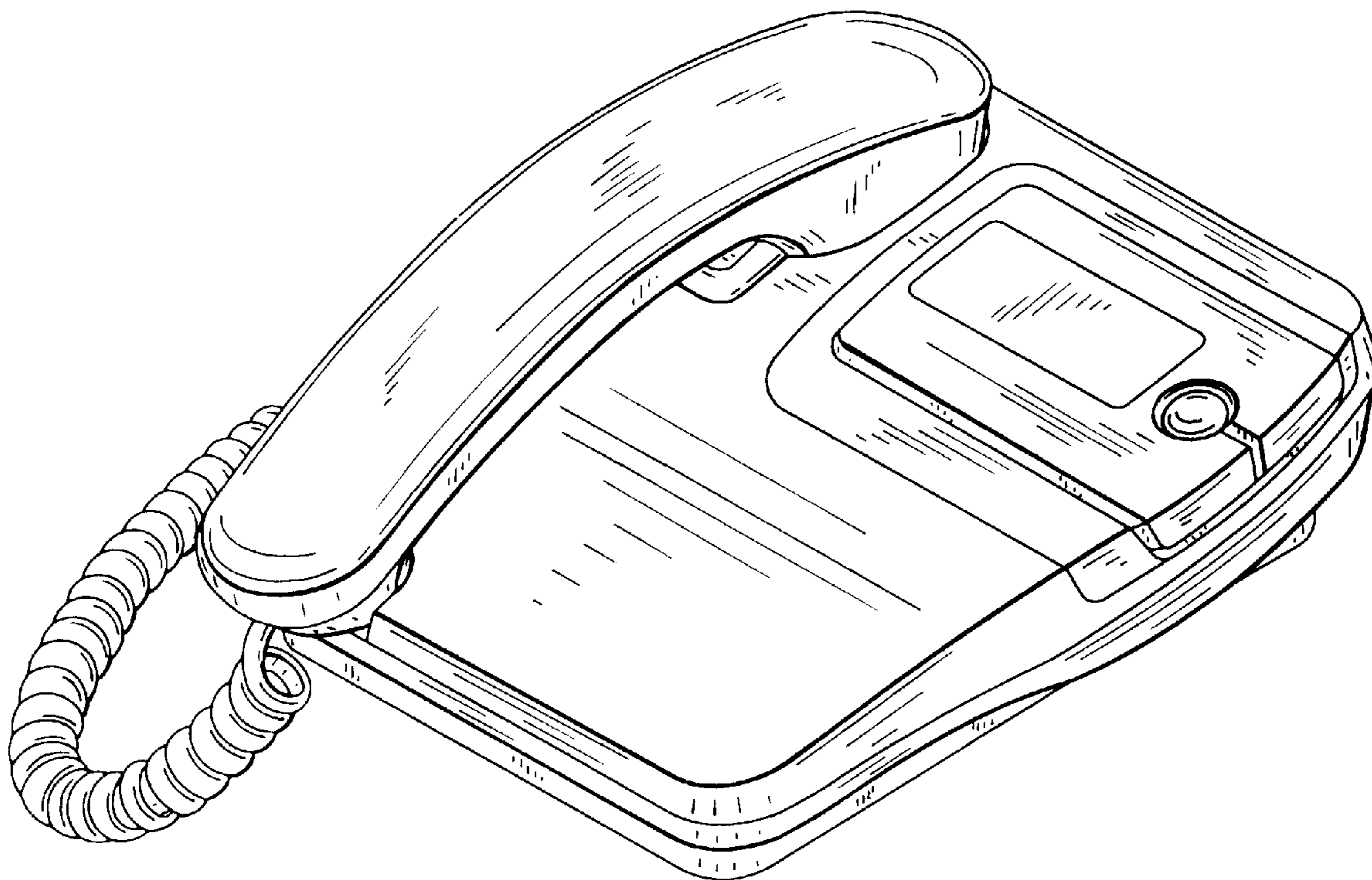


FIG. 1

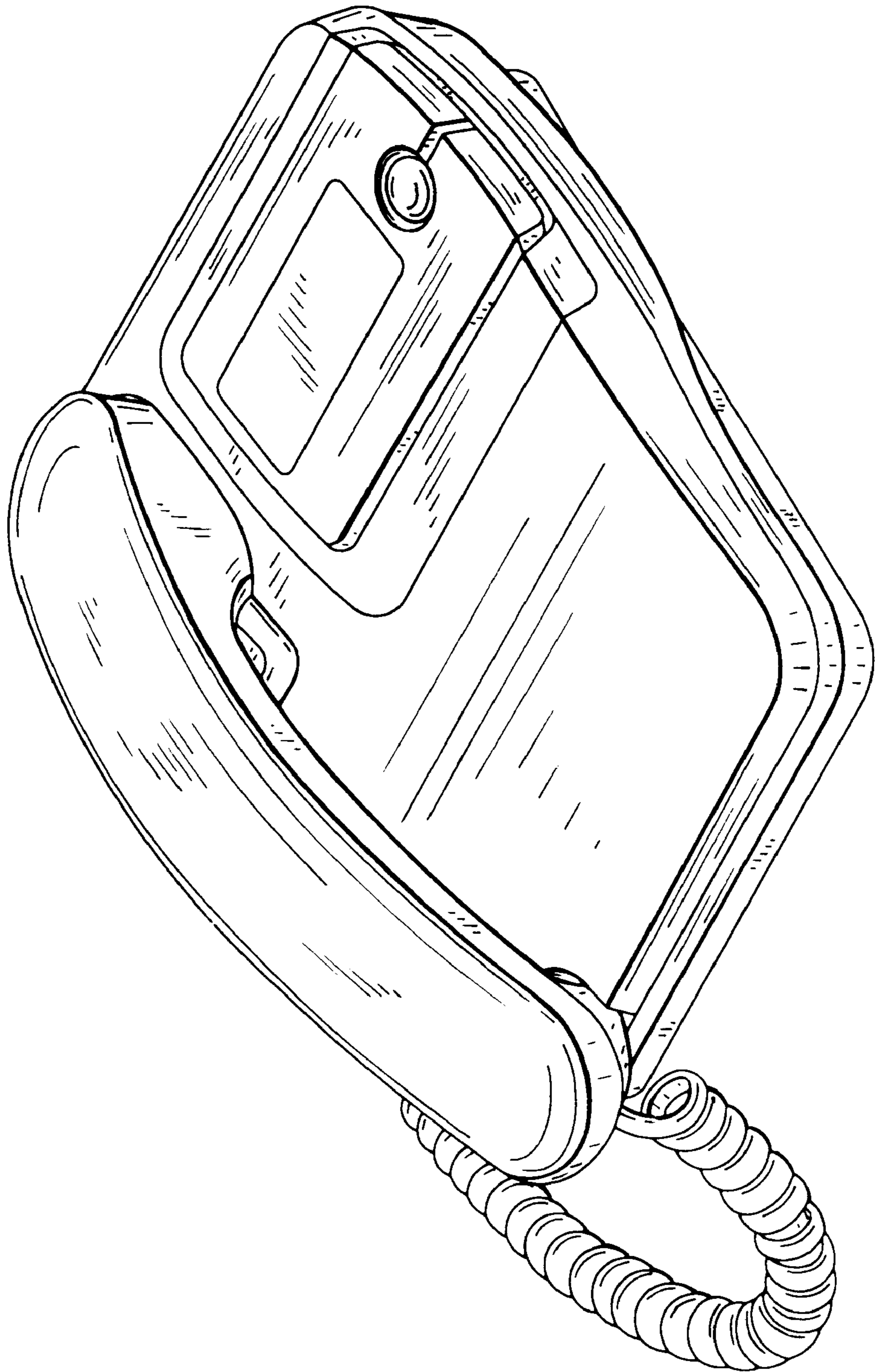


FIG. 2

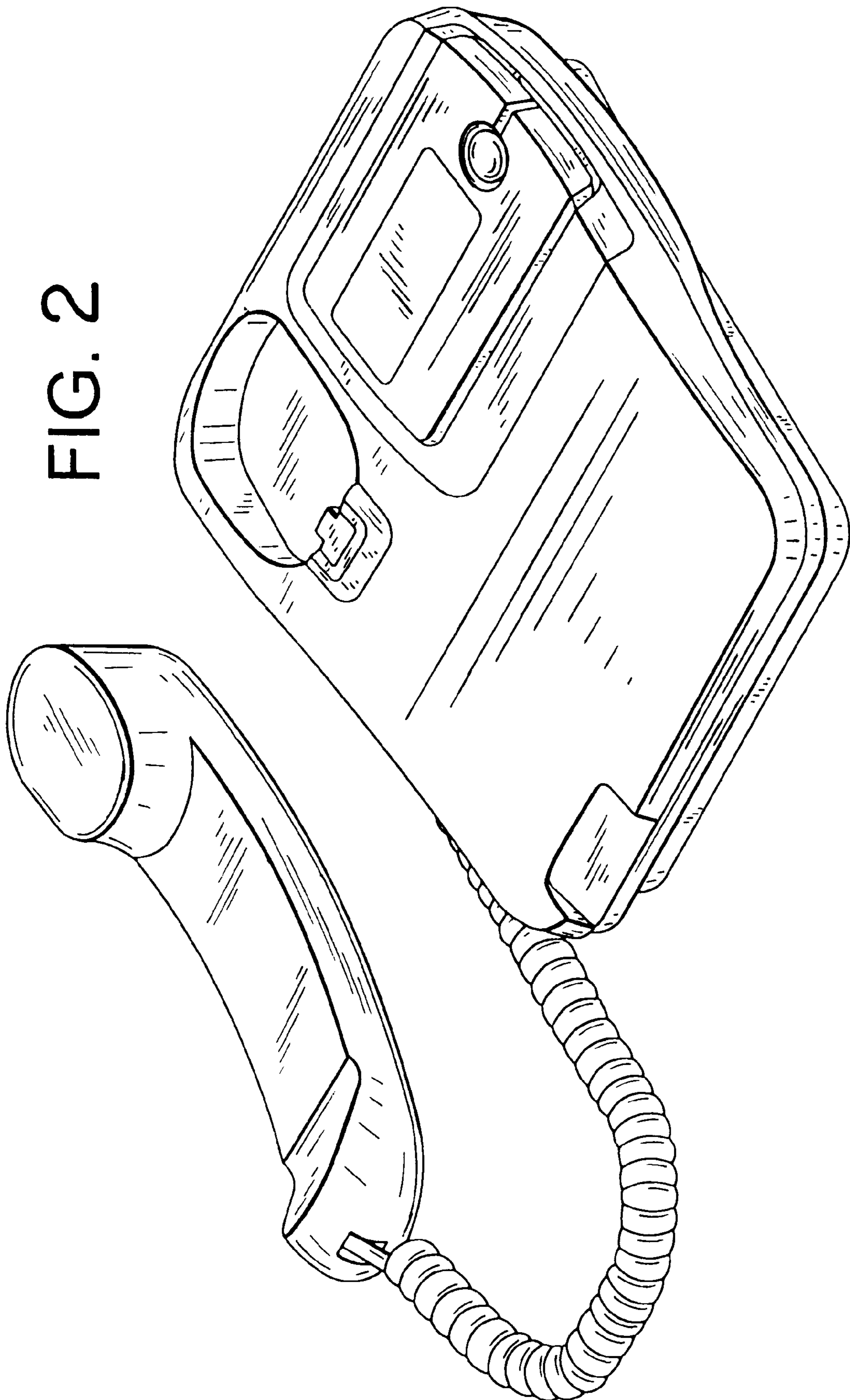


FIG. 3

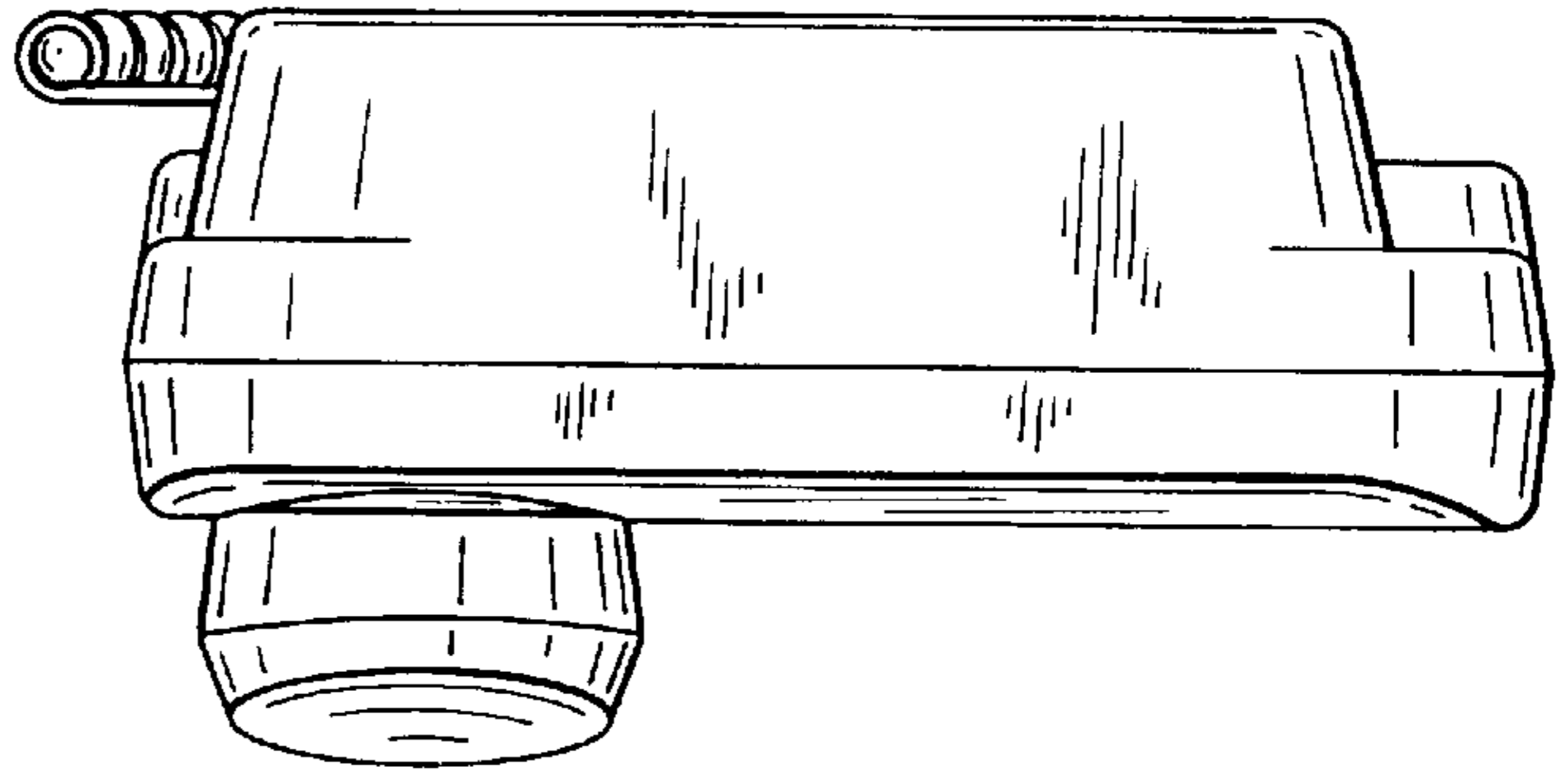


FIG. 4

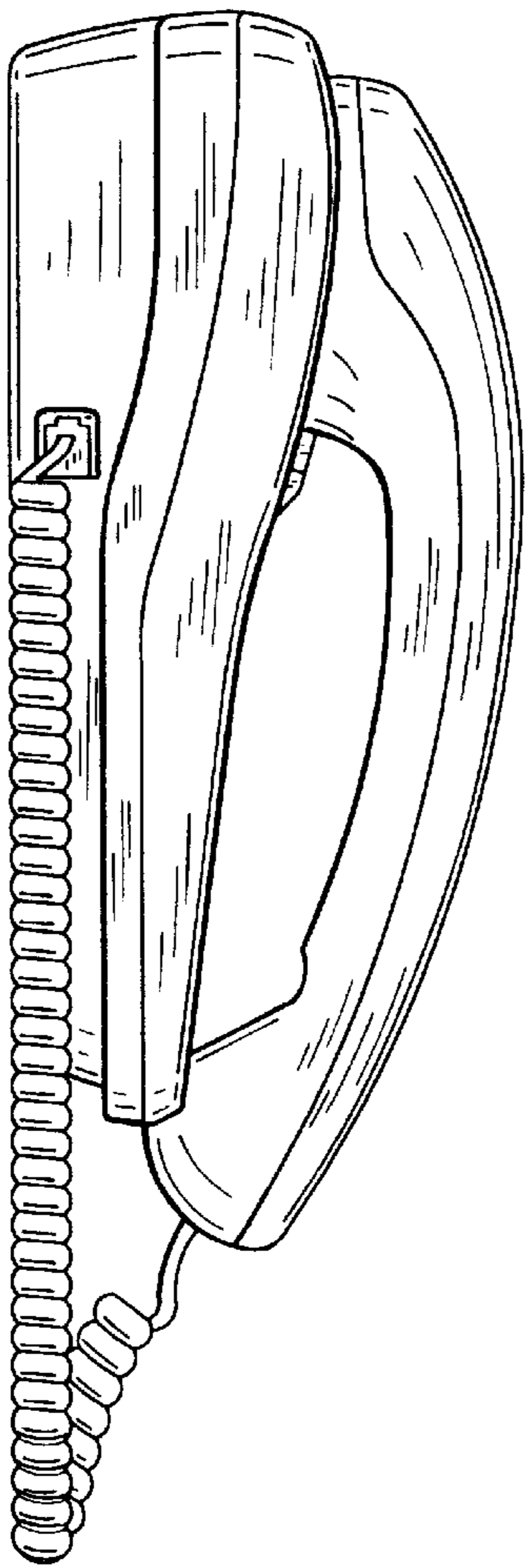


FIG. 5

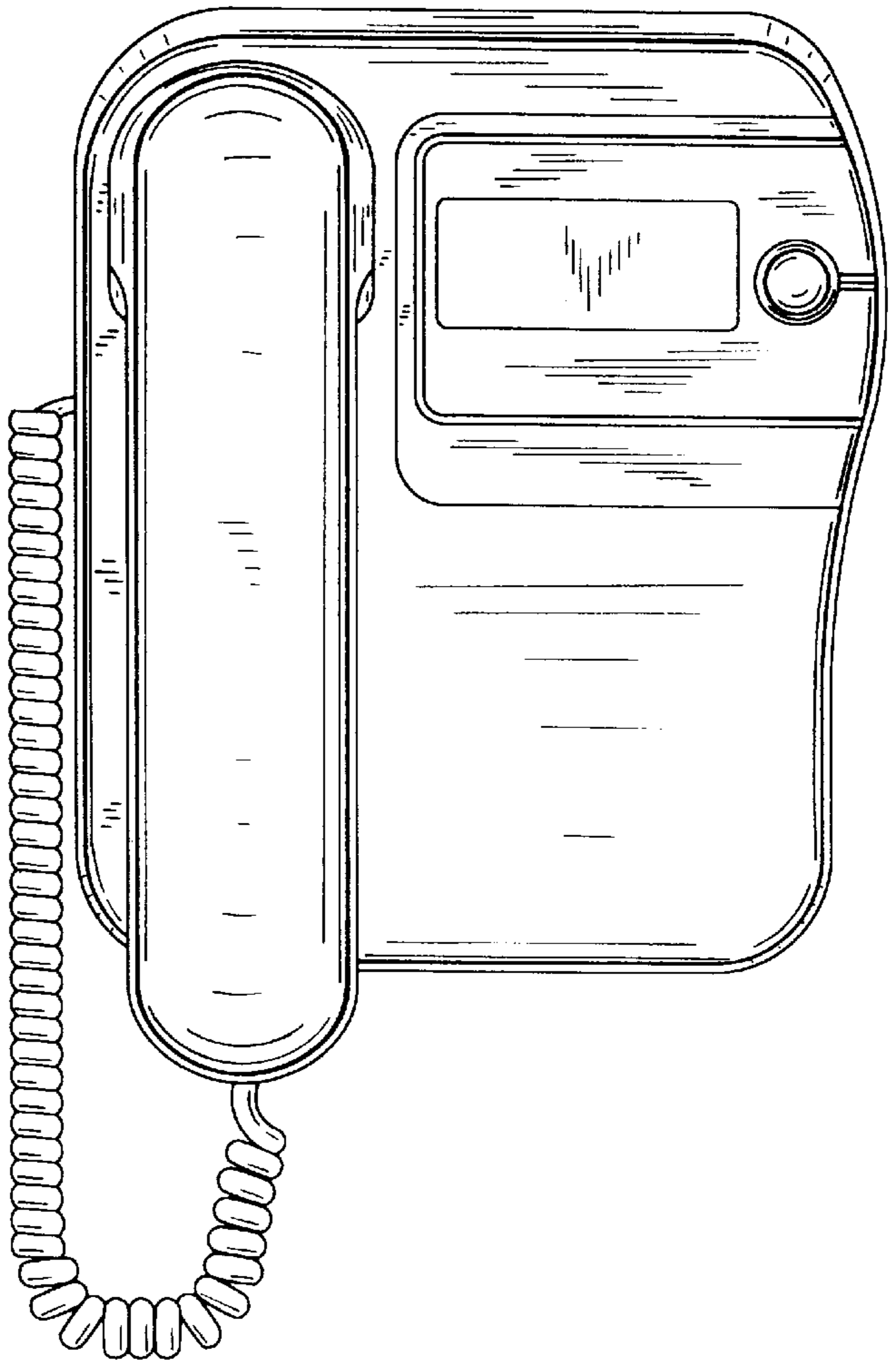


FIG. 6

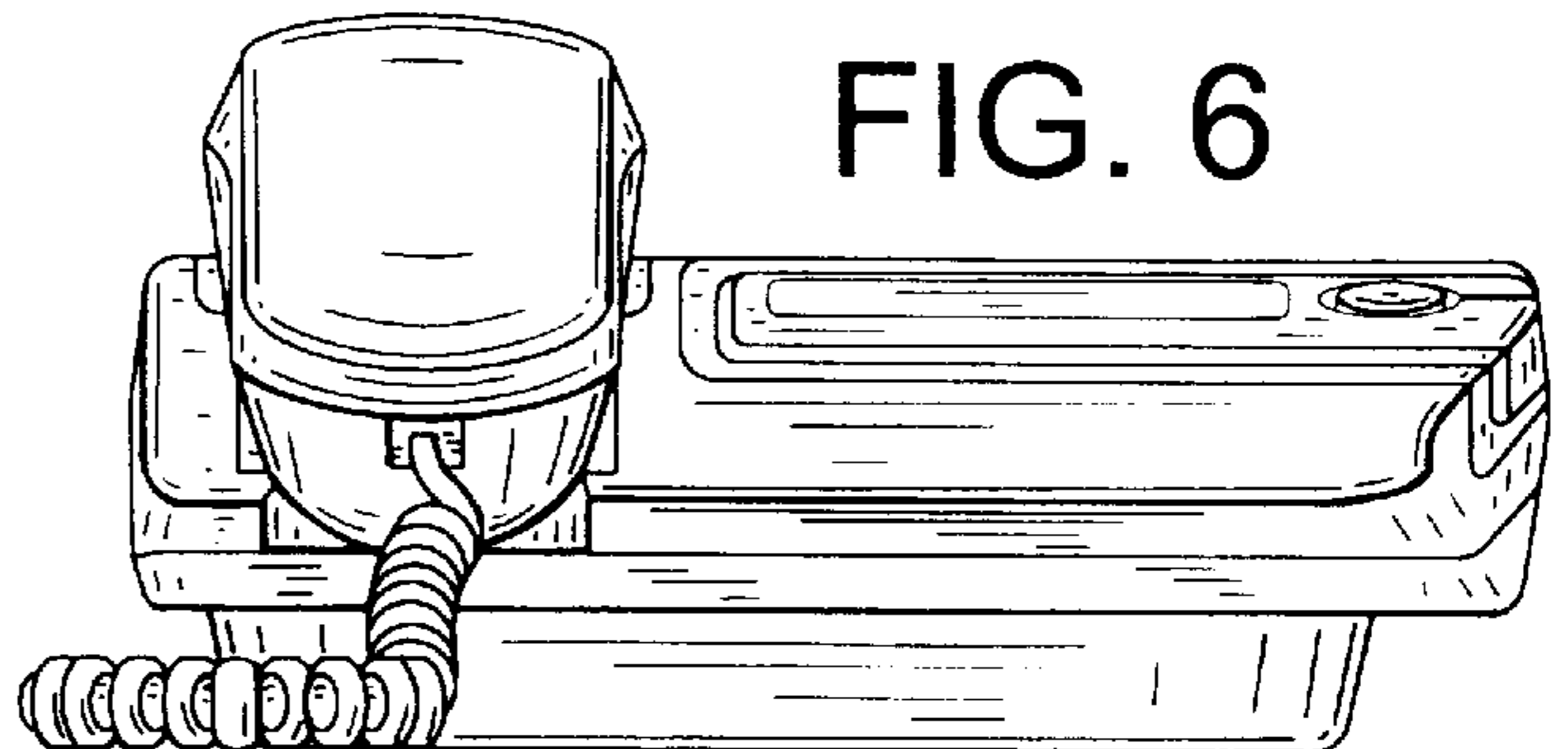


FIG. 8

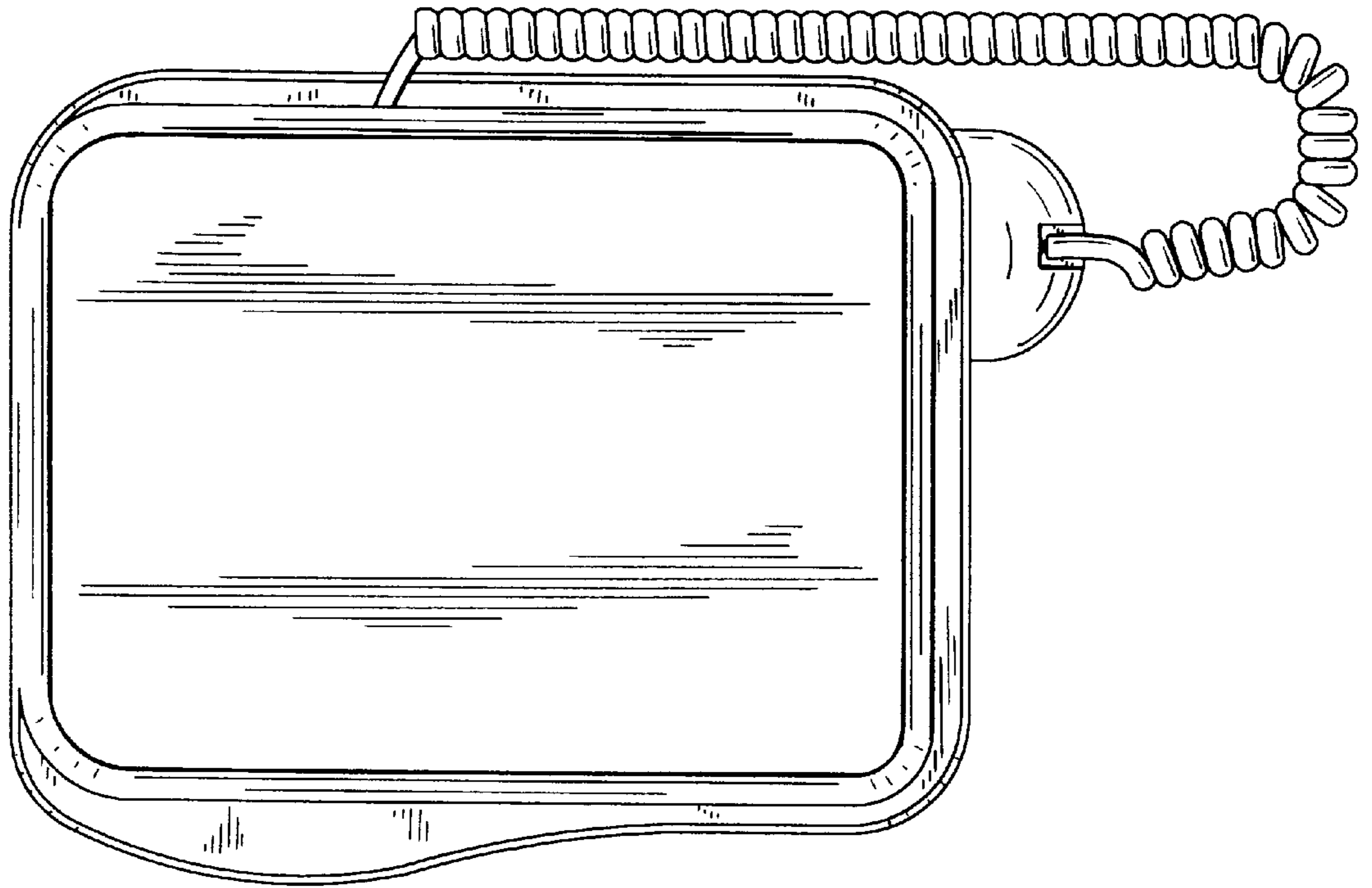


FIG. 7

