



US00D408815S

United States Patent [19]

[11] **Patent Number: Des. 408,815**

Halus et al.

[45] **Date of Patent: **Apr. 27, 1999**

[54] **BASE FOR A COMMUNICATION DEVICE**

[75] Inventors: **Gregory W. Halus**, Woodland Hills, Calif.; **Bradley K. Lohrding**, Gurnee, Ill.; **Jay R. Mitchell**, Mesa; **Michael S. Horn**, Gilbert, both of Ariz.

[73] Assignee: **Motorola Inc.**, Schaumburg, Ill.

[**] Term: **14 Years**

[21] Appl. No.: **29/080,864**

[22] Filed: **Dec. 18, 1997**

[51] **LOC (6) Cl.** **14-03**

[52] **U.S. Cl.** **D14/149**

[58] **Field of Search** D13/107, 108; D14/149, 145, 144, 140, 142, 240, 251, 253; 379/419, 420, 428, 440, 434-436; 455/550-575, 90

[56] **References Cited**

U.S. PATENT DOCUMENTS

D. 240,739	7/1976	Montague	D14/145
D. 279,777	7/1985	Cooke et al.	D14/149
D. 307,276	4/1990	Desbarats	D13/108 X
D. 354,749	1/1995	Phillips	D14/151
D. 364,621	11/1995	Clarke et al.	D14/149
D. 367,651	3/1996	Hellier et al.	D13/108 X

Primary Examiner—Jeffrey Asch
Attorney, Agent, or Firm—Daniel W. Juffernbruch

[57] **CLAIM**

The ornamental design for a base for a communication device, as shown and described.

DESCRIPTION

FIG. 1 is a drawing of a front, bottom and right side perspective view of a base for a communication device showing our new design;

FIG. 2 is a drawing of a top side view;

FIG. 3 is a drawing of a back side view; and

FIG. 4 is a drawing of a left side view;

FIG. 5 is a drawing of the front, bottom, and right side view similar to FIG. 1 without the broken line subject matter;

FIG. 6 is a drawing of the top side view similar to FIG. 2 without the broken line subject matter;

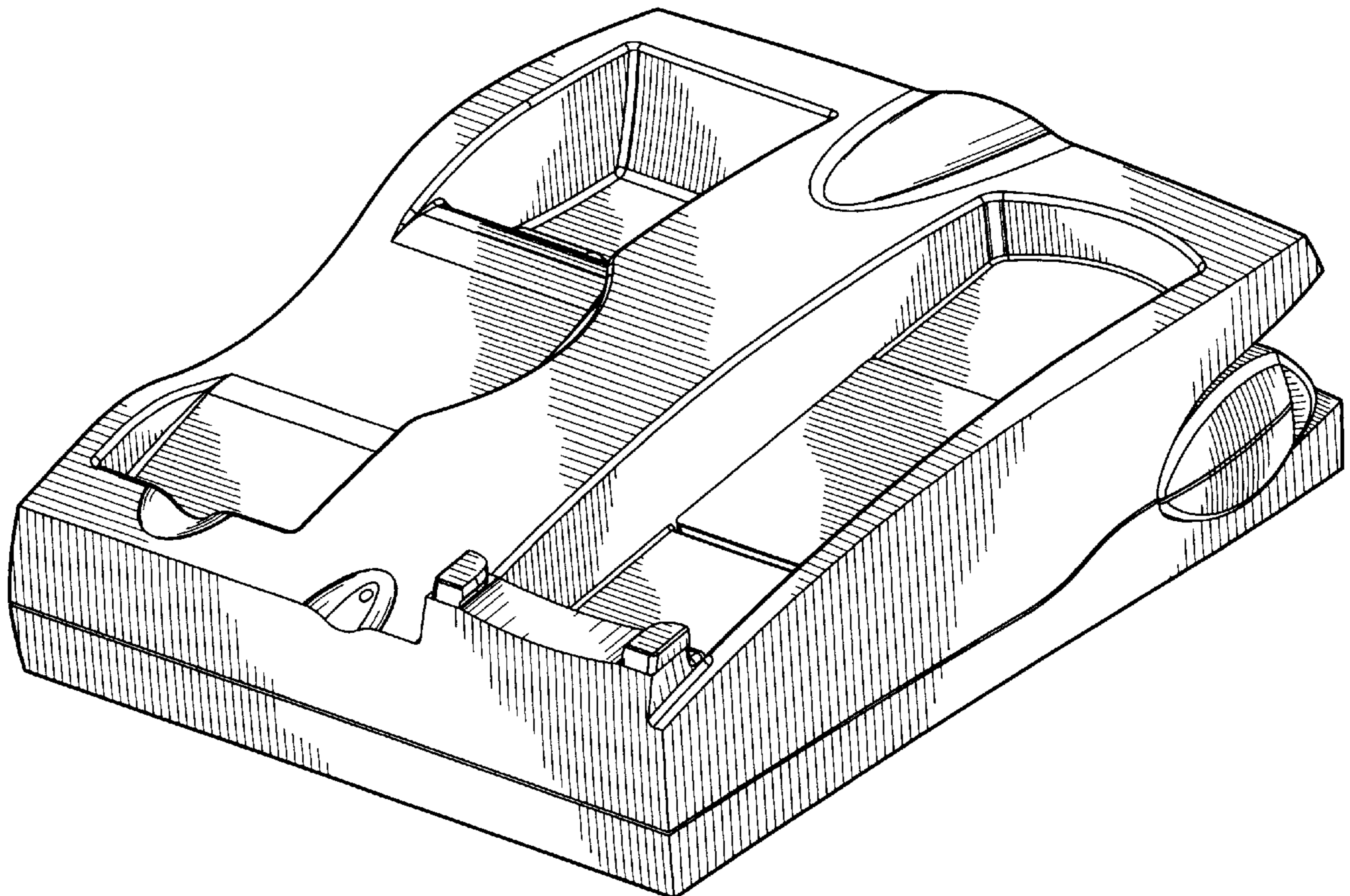
FIG. 7 is a drawing of the back side view similar to FIG. 3 without the broken line subject matter; and,

FIG. 8 is a drawing of the left side view similar to FIG. 4 without the broken line subject matter.

The surfaces not shown in the drawing views are not considered to be a part of my claimed design.

The broken line matter in the drawings is for illustrative purposes only and forms no part of the claimed design.

1 Claim, 4 Drawing Sheets



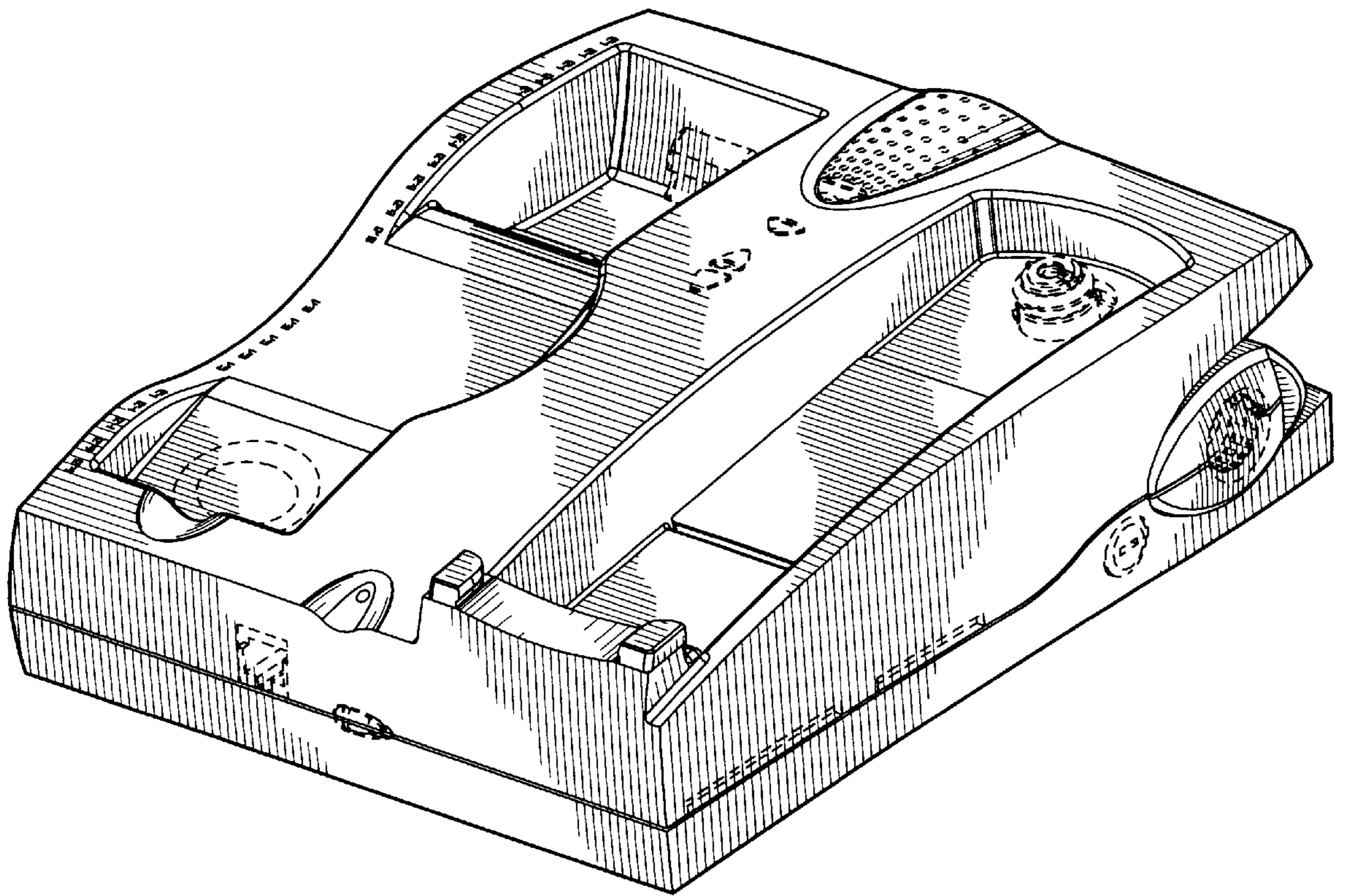


FIG. 1

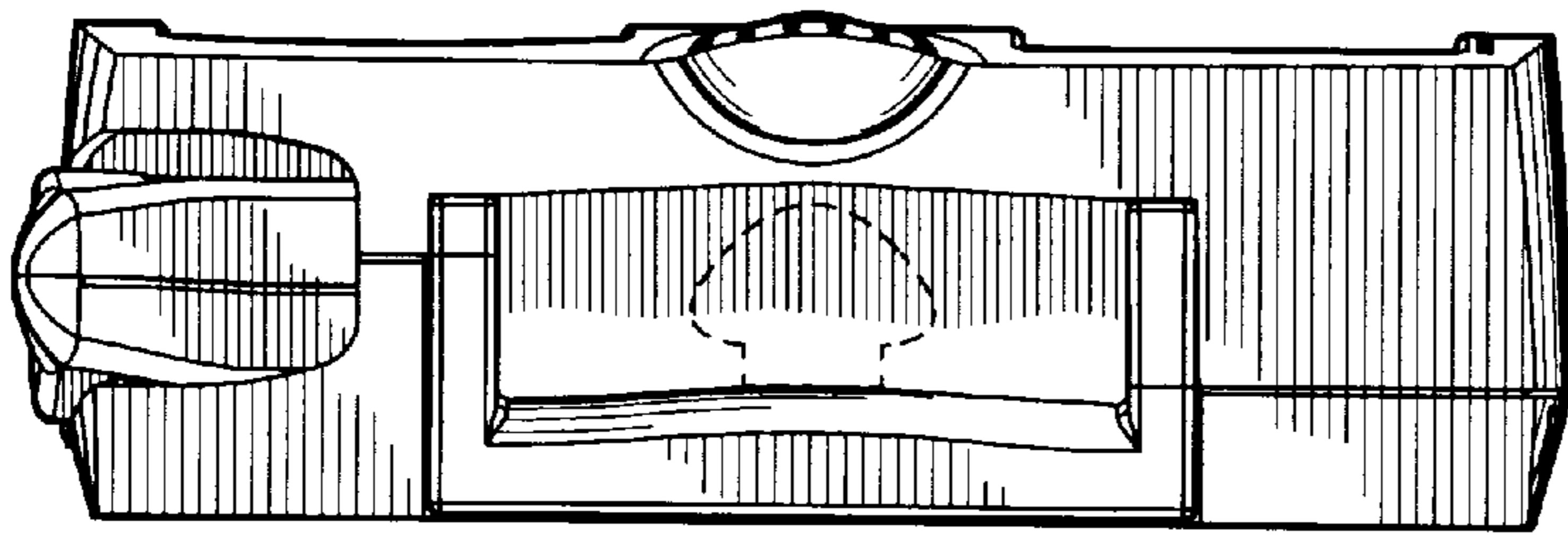


FIG. 2

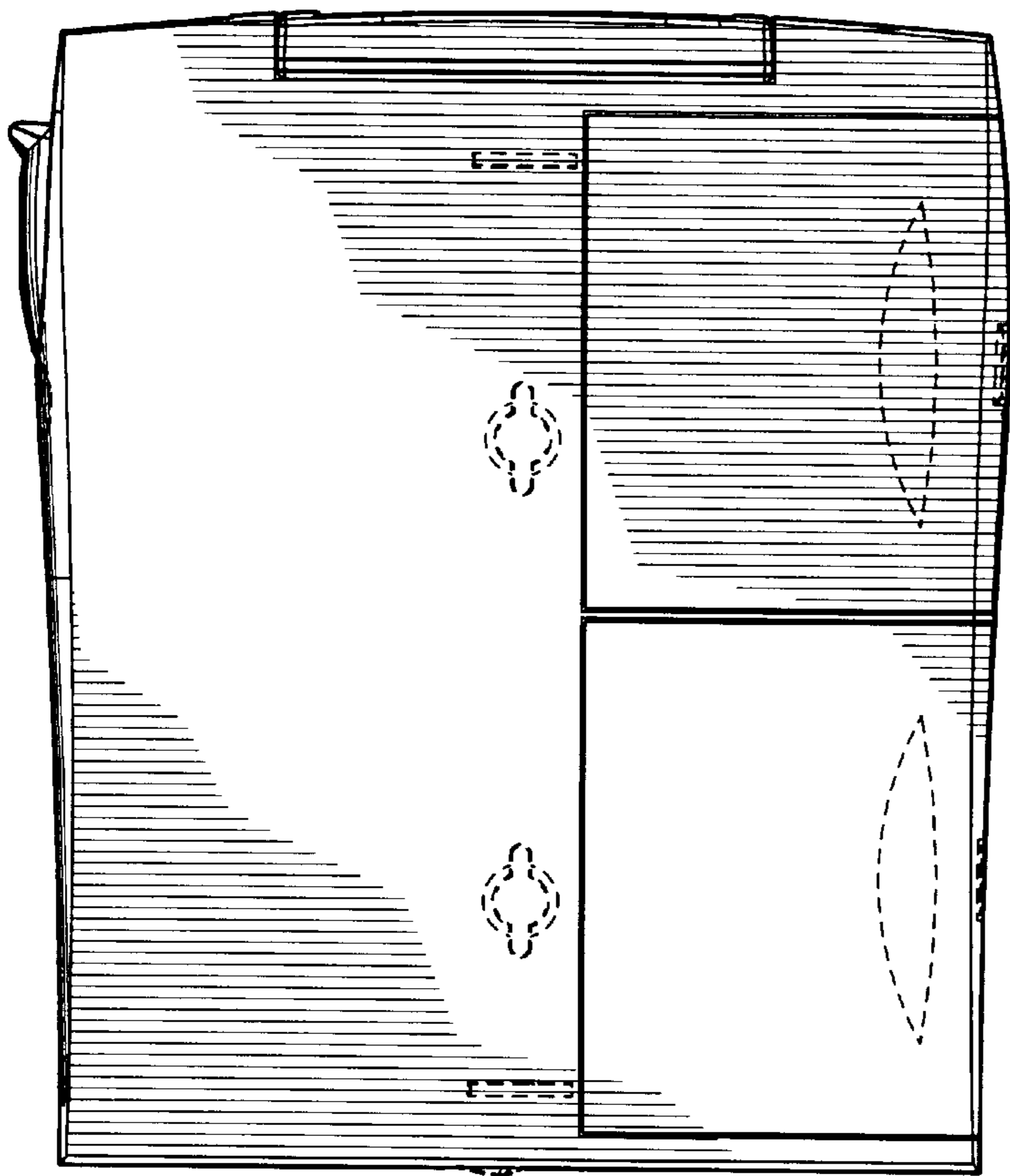


FIG. 3

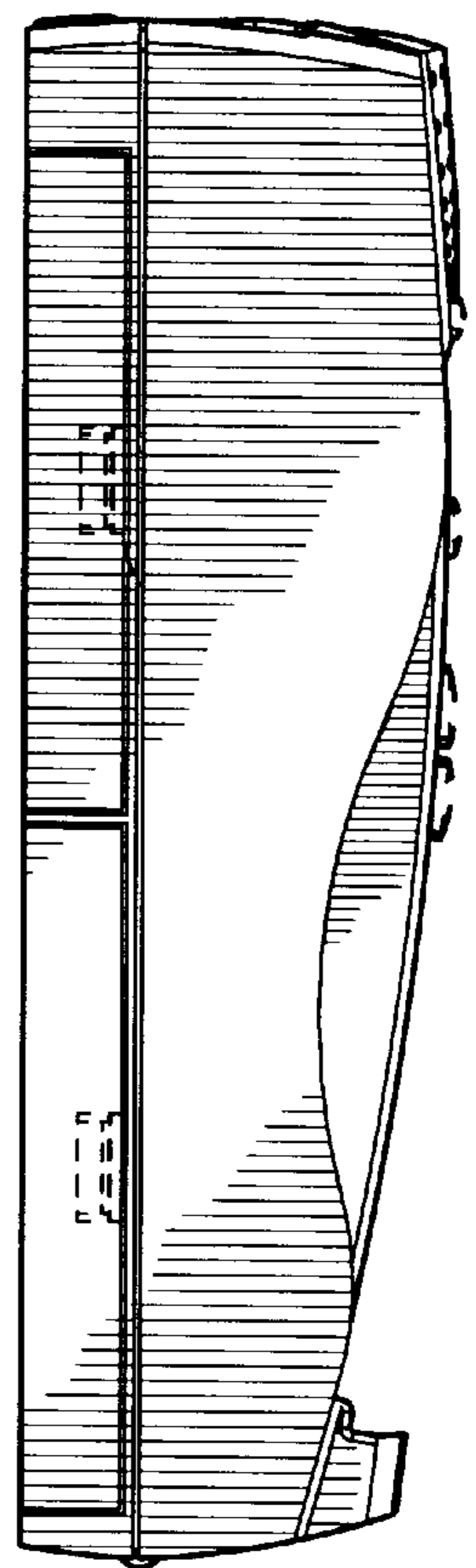


FIG. 4

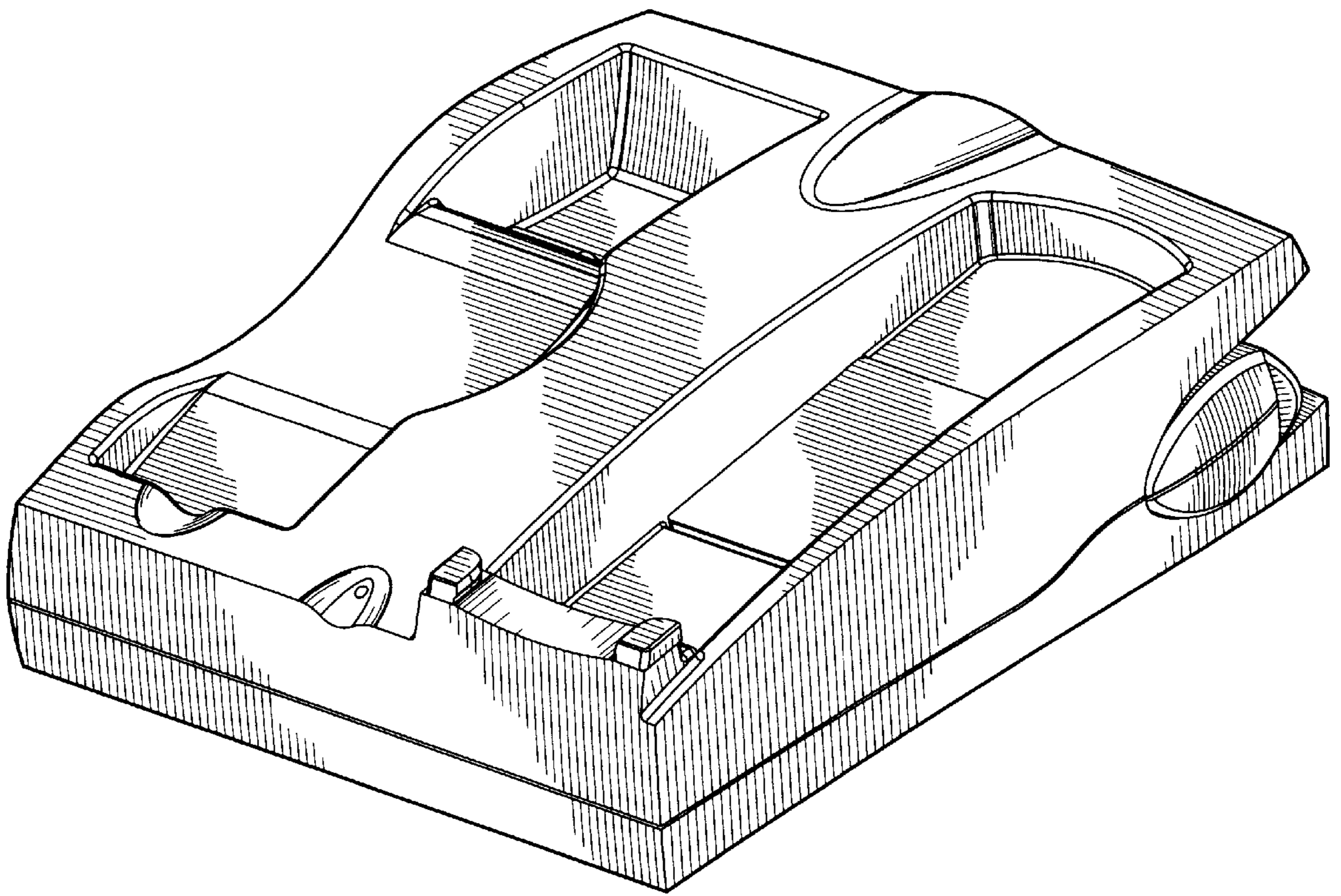


FIG. 5

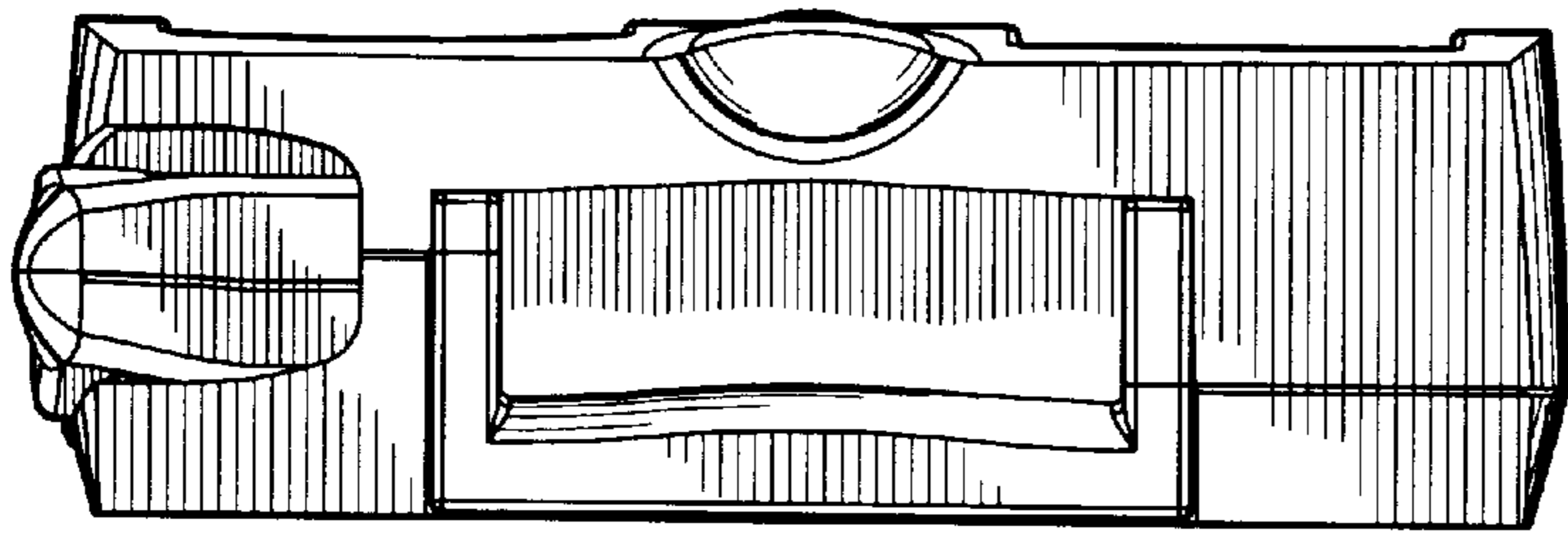


FIG. 6

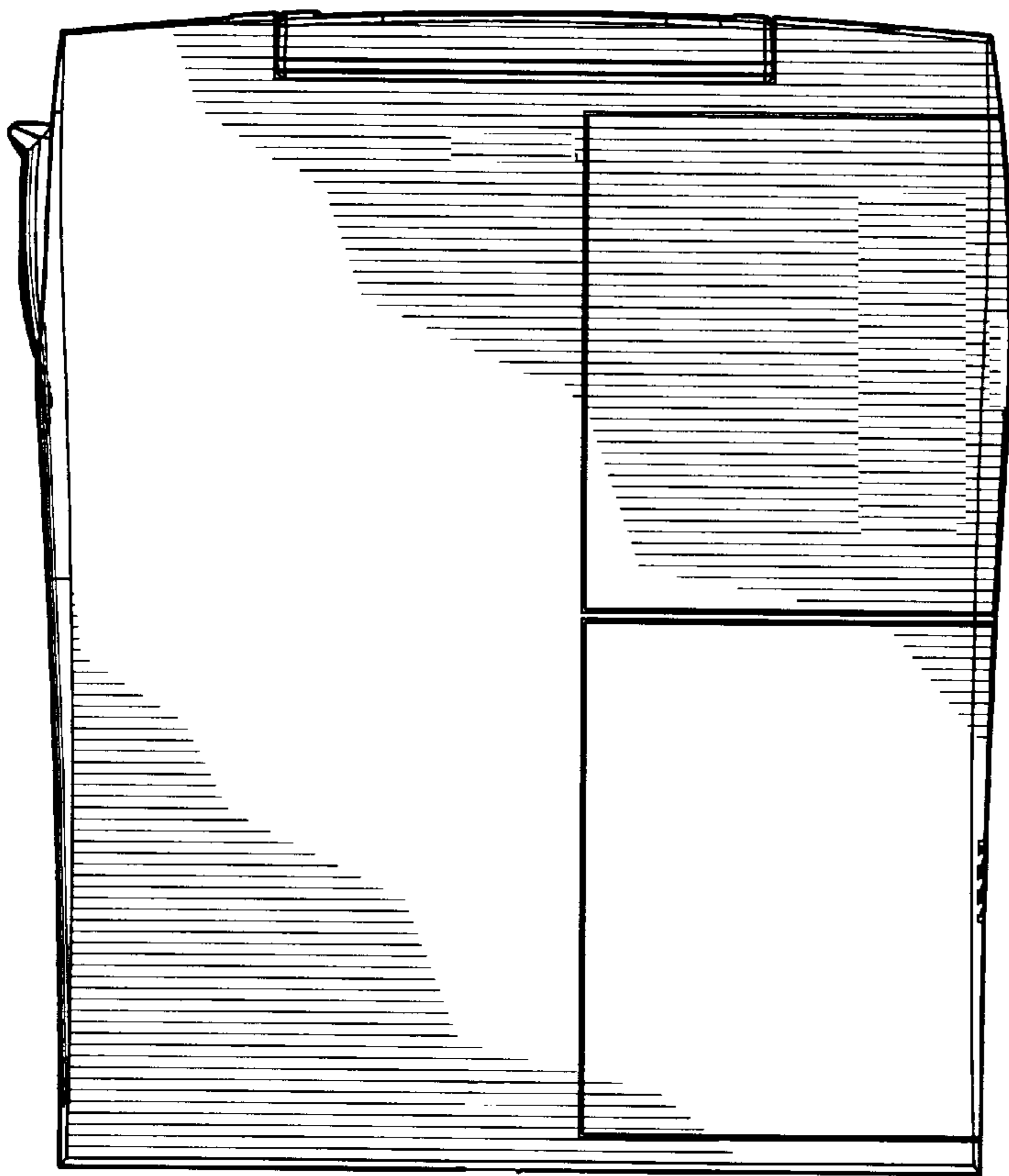


FIG. 7

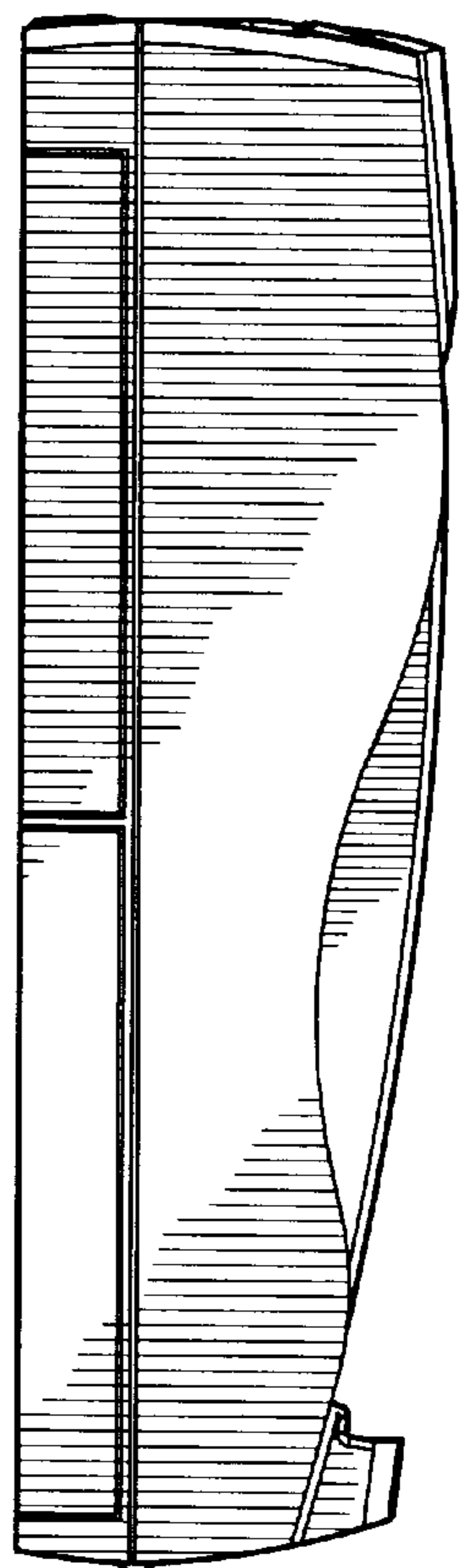


FIG. 8