



US00D408814S

United States Patent [19]
Wicks et al.

[11] **Patent Number: Des. 408,814**
[45] **Date of Patent: **Apr. 27, 1999**

[54] **CELLULAR TELEPHONE WITH EXTENDIBLE MICROPHONE**
[75] Inventors: **James E. Wicks**, San Francisco, Calif.;
Yutaka Hasegawa, Edgewater, N.J.
[73] Assignees: **Sony Corporation**, Tokyo, Japan; **Sony Electronics, Inc.**, Park Ridge, N.J.
[**] Term: **14 Years**
[21] Appl. No.: **29/088,518**
[22] Filed: **May 27, 1998**

| | | | |
|------------|--------|--------------------|-----------|
| D. 328,070 | 7/1992 | Seay | D14/138 |
| D. 339,802 | 9/1993 | Furuya et al. | D14/138 |
| D. 350,744 | 9/1994 | Hino | D14/138 |
| 5,197,091 | 3/1993 | Takagi et al. | 379/433 X |
| 5,504,813 | 4/1996 | Takasaki | 379/433 |
| 5,555,449 | 9/1996 | Kim | 455/90 X |
| 5,715,311 | 2/1998 | Sudo et al. | 379/428 |
| 5,749,057 | 5/1998 | Takagi | 455/569 |

Primary Examiner—Jeffrey Asch
Attorney, Agent, or Firm—Ronald P. Kananen; Rader, Fishman & Grauer

Related U.S. Application Data

[63] Continuation-in-part of application No. 29/067,323, Feb. 28, 1997, abandoned.
[51] **LOC (6) Cl.** **14-03**
[52] **U.S. Cl.** **D14/138**
[58] **Field of Search** D14/137, 138,
D14/147-148, 247-248, 250, 240, 140-142;
379/433, 434, 419, 420, 428, 440; 455/550-575,
90

[57] **CLAIM**

The ornamental design for a cellular telephone with extendible microphone, as shown and described.

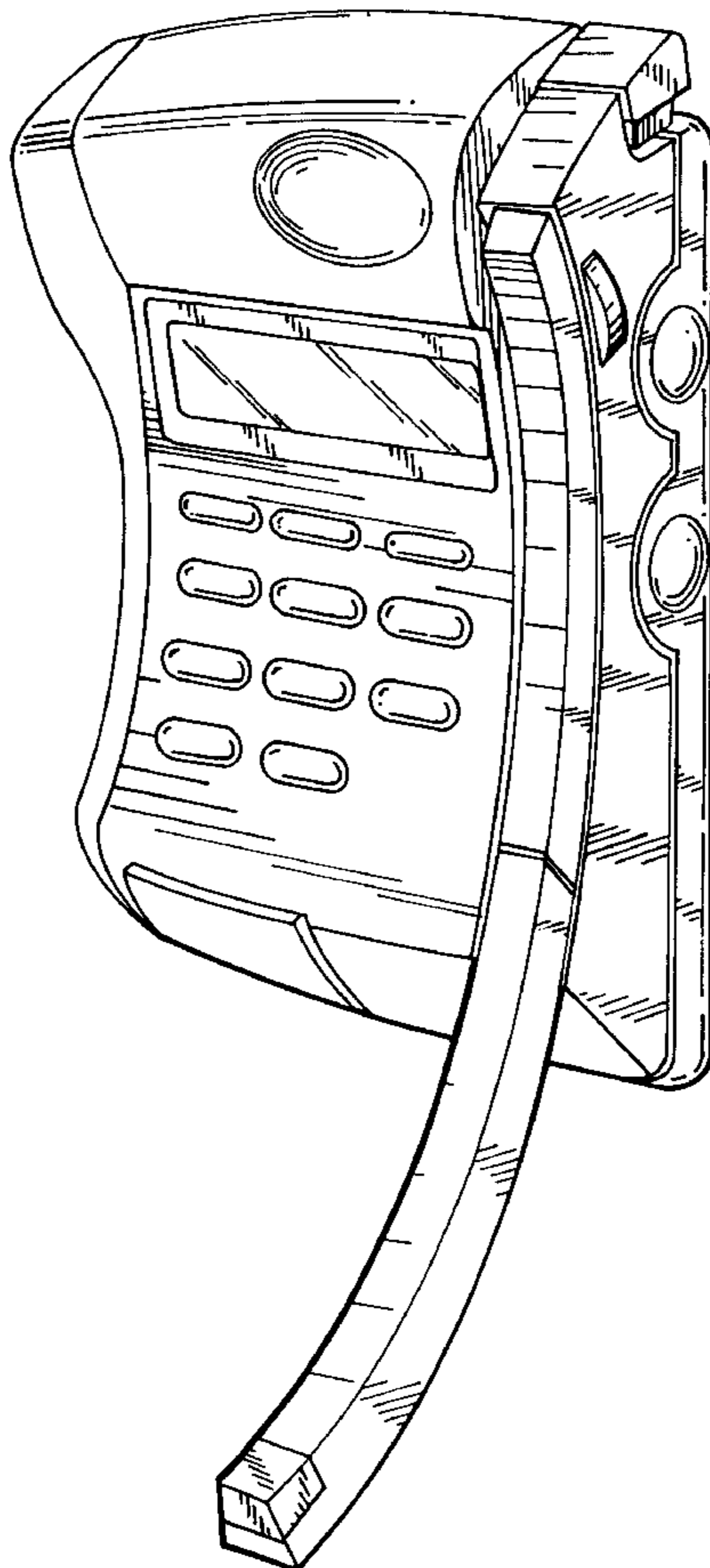
DESCRIPTION

FIG. 1 is a front right side view of a cellular telephone with an extendible microphone according to our new design in its opened position; and,
FIG. 2 is a rear left side view of a cellular telephone with an extendible microphone according to our new design in its opened position.
The portions of the claimed article not shown or apparent in the drawings are not considered to be a part of the claimed design.

[56] **References Cited**
U.S. PATENT DOCUMENTS

D. 319,234 8/1991 Konno et al. D14/147

1 Claim, 1 Drawing Sheet



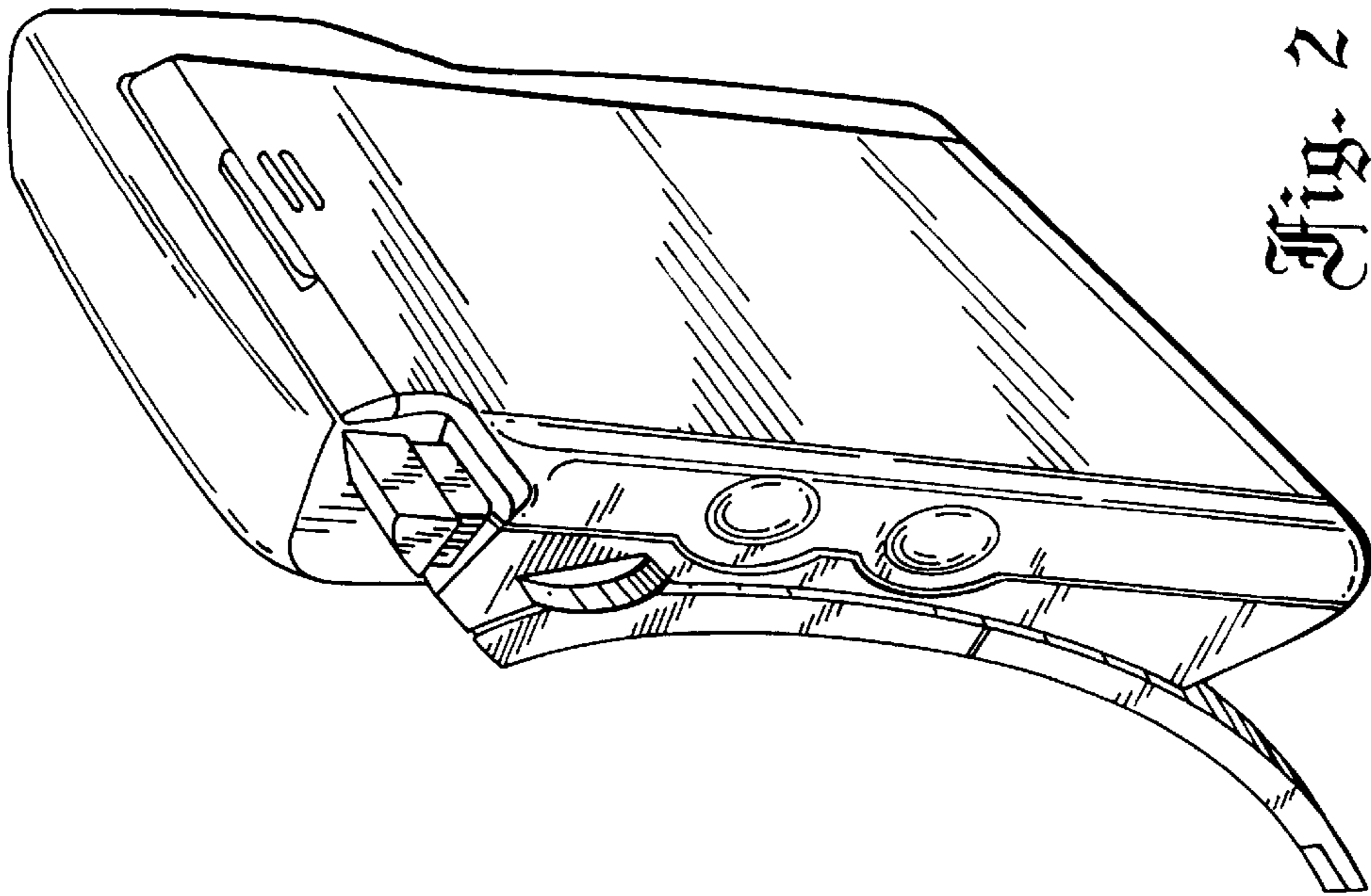


Fig. 2

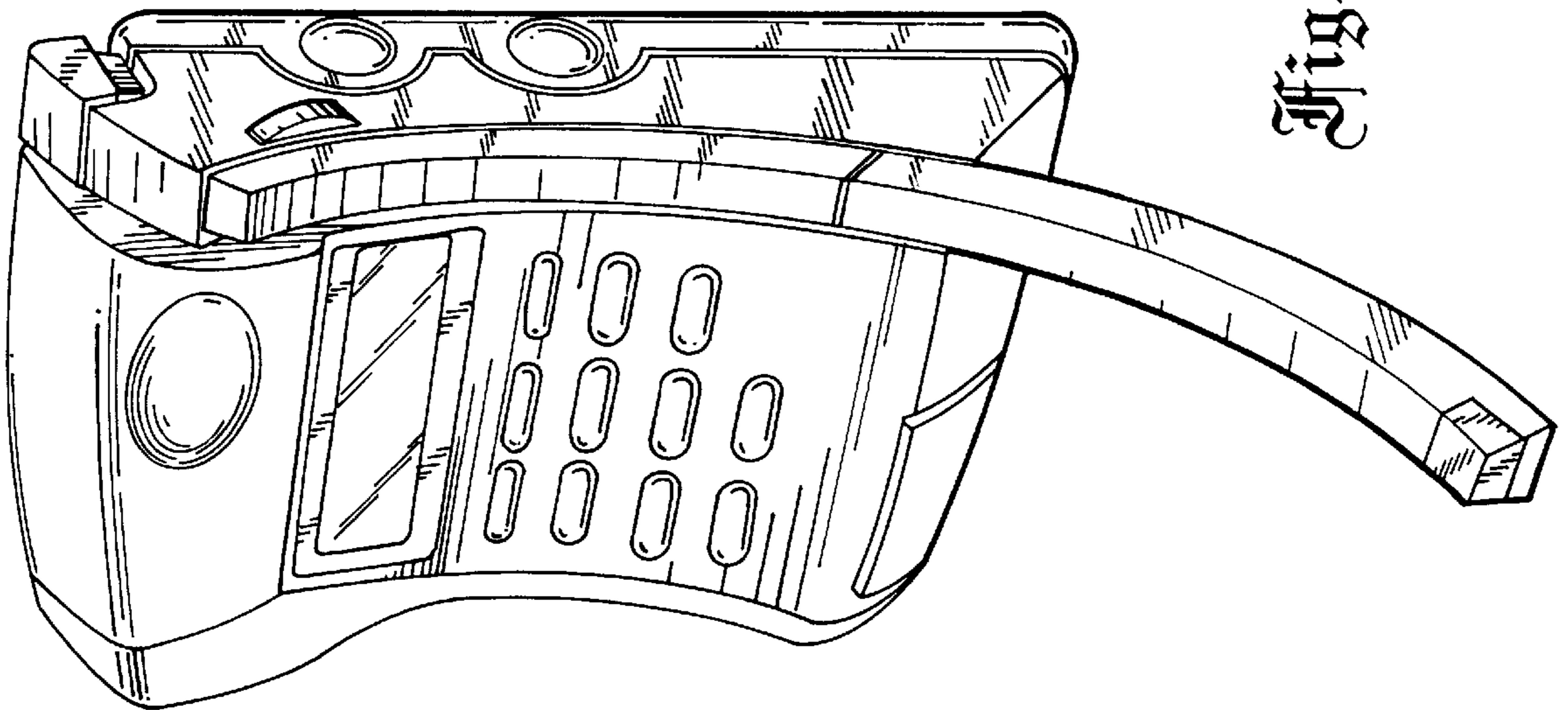


Fig. 1