



US00D408812S

# United States Patent [19] Danis

[11] Patent Number: **Des. 408,812**

[45] Date of Patent: **\*\*Apr. 27, 1999**

[54] **TRANSCEIVER HOUSING**

[75] Inventor: **Aaron N. Danis**, Colorado Springs, Colo.

[73] Assignee: **U.S. Wireless Data**, Colo.

[\*\*] Term: **14 Years**

[21] Appl. No.: **29/088,860**

[22] Filed: **Jun. 2, 1998**

[51] **LOC (6) Cl.** ..... **14-03**

[52] **U.S. Cl.** ..... **D14/137; D14/240**

[58] **Field of Search** ..... D14/137, 140, D14/142, 240, 242, 107, 102, 114, 155, 159; 455/90, 127, 422, 73, 88; 359/152; 375/219, 257; D13/184, 162, 164; 174/50; 361/600, 605, 694; 379/419, 420, 428, 440, 399

D. 346,806 5/1994 Chang ..... D14/240  
D. 353,598 12/1994 Brandt et al. .... D14/242  
D. 381,317 7/1997 Yu ..... D13/164 X  
D. 383,139 9/1997 Hill et al. .... D14/242  
4,652,969 3/1987 Stenga ..... 361/694 X

### OTHER PUBLICATIONS

Photograph I, more than 1 year prior to Jun. 2, 1998.  
Photograph II, more than 1 year prior to Jun. 2, 1998.  
Photograph III, more than 1 year prior to Jun. 2, 1998.  
Photograph IV, more than 1 year prior to Jun. 2, 1998.  
Photograph V, more than 1 year prior to Jun. 2, 1998.

*Primary Examiner*—Jeffrey Asch  
*Attorney, Agent, or Firm*—Burns, Doane, Swecker & Mathis LLP

### [57] CLAIM

The ornamental design for a transceiver housing, as shown and described.

### DESCRIPTION

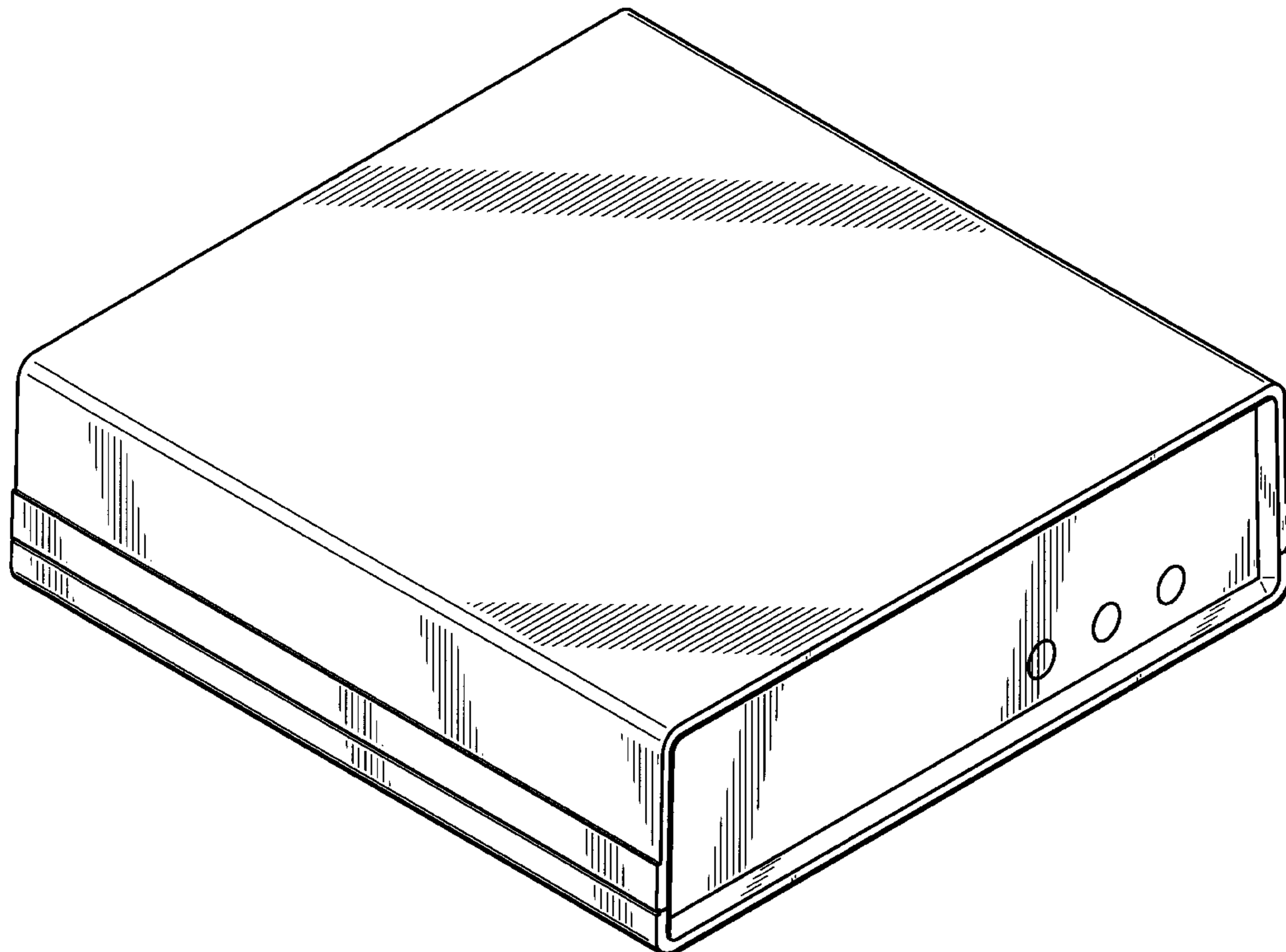
FIG. 1 is a perspective view as seen from the front and upper left of a transceiver housing showing my new design; FIG. 2 is a perspective view as seen from the rear and lower left thereof; FIG. 3 is a front elevational view thereof; FIG. 4 is a top plan view thereof; FIG. 5 is a rear elevational view thereof; FIG. 6 is a bottom plan view thereof; FIG. 7 is a right side elevational view thereof; and, FIG. 8 is a left side elevational view thereof.

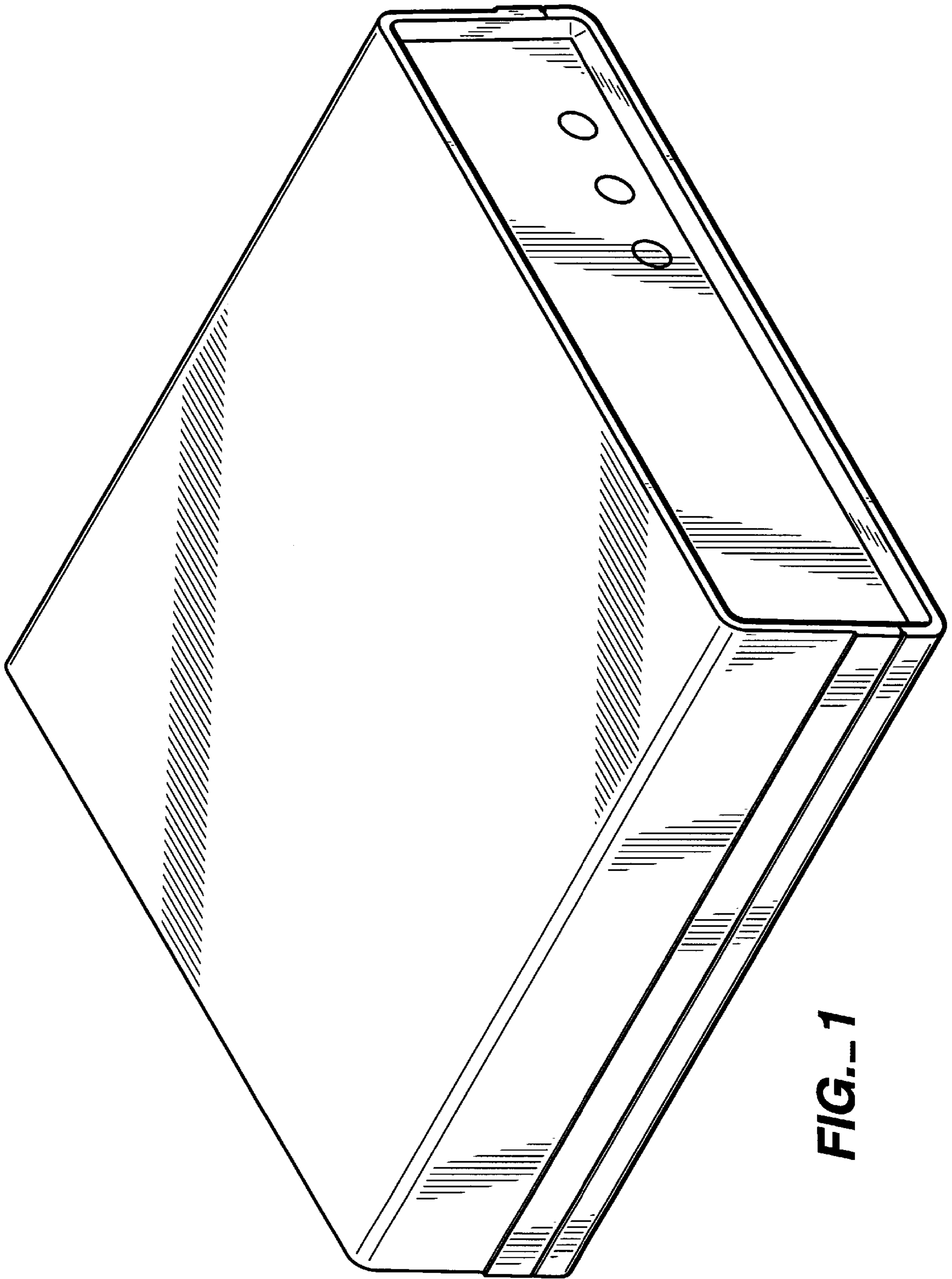
**1 Claim, 5 Drawing Sheets**

### [56] References Cited

#### U.S. PATENT DOCUMENTS

D. 252,753 8/1979 Thompson et al. .... D14/114  
D. 255,882 7/1980 Kim ..... D14/155 X  
D. 269,345 6/1983 Payne, Jr. et al. .... D14/107  
D. 291,443 8/1987 Inielli et al. .... D14/100  
D. 295,178 4/1988 Pedinielli et al. .... D14/107  
D. 303,252 9/1989 Shih ..... D14/107  
D. 309,731 8/1990 Takai ..... D14/107  
D. 311,910 11/1990 Pedinielli et al. .... D14/107  
D. 346,606 5/1994 Harris et al. .... D14/242  
D. 346,607 5/1994 Bhargava et al. .... D14/242





**FIG. 1**

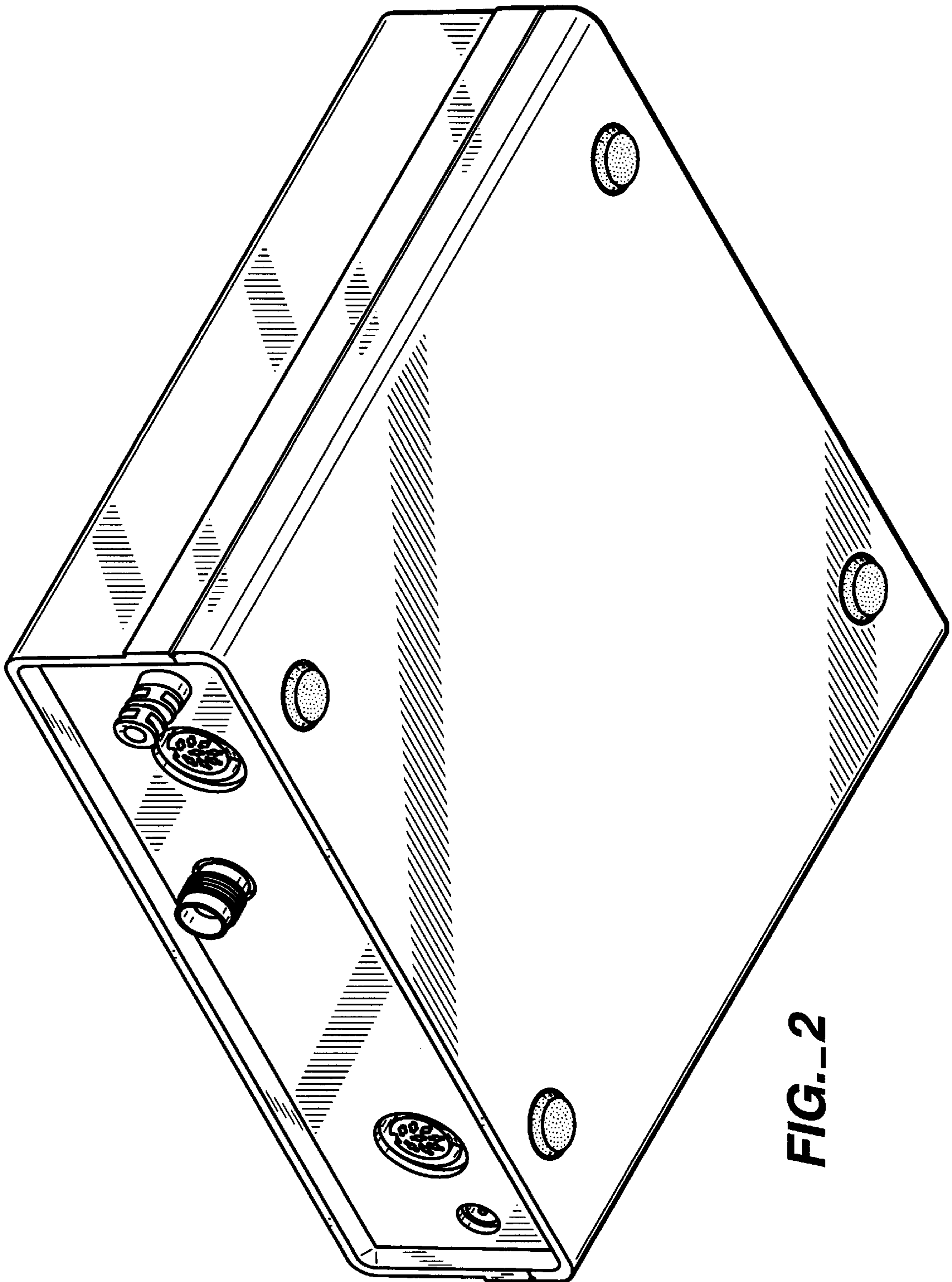
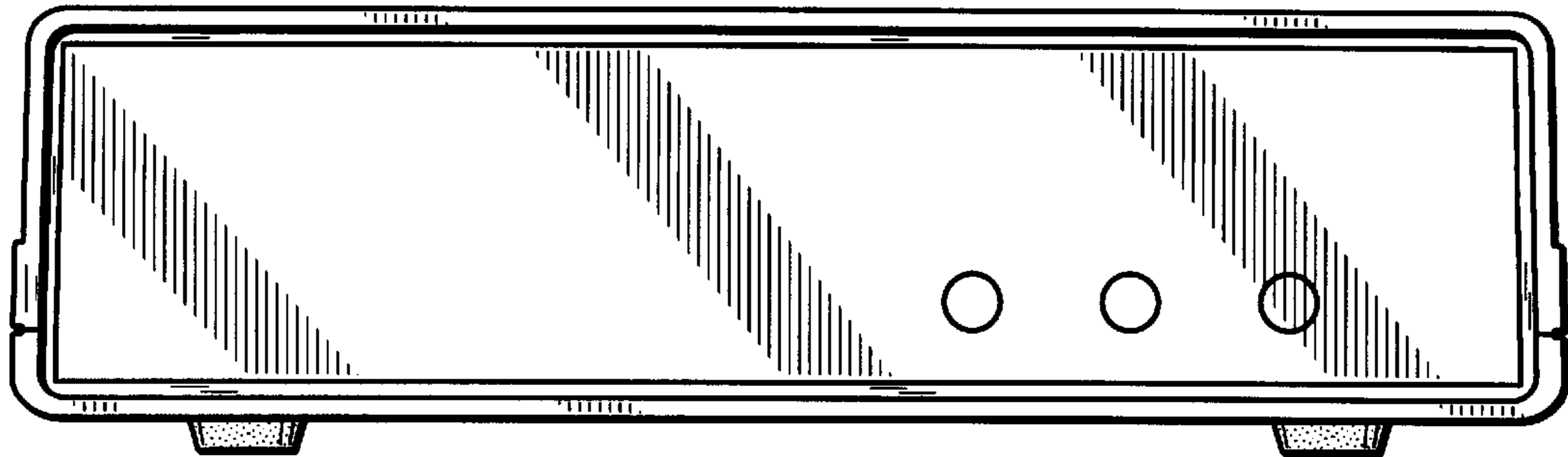
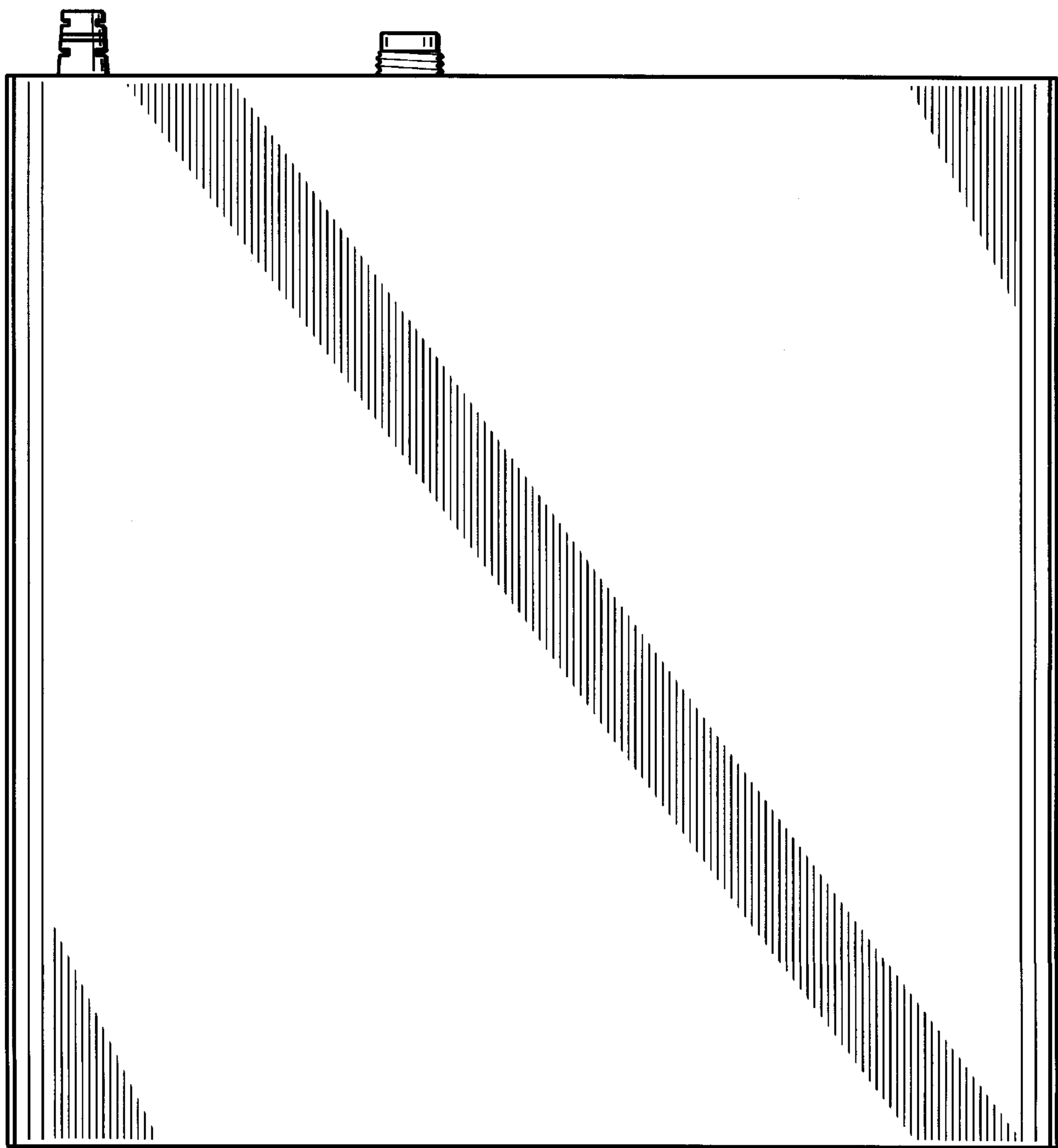


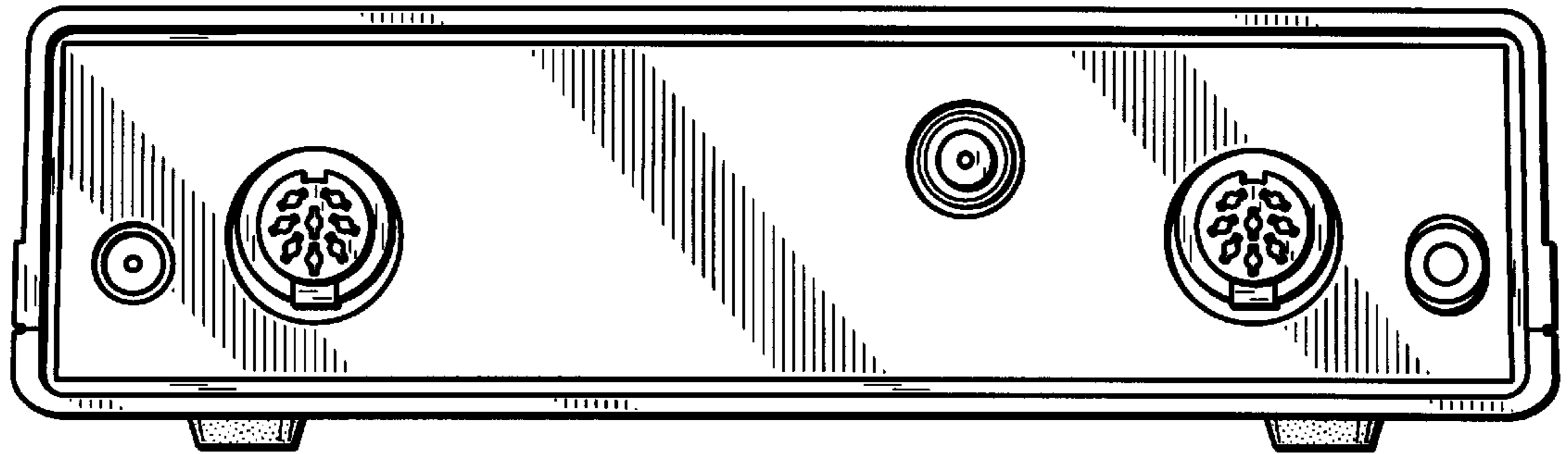
FIG.--2



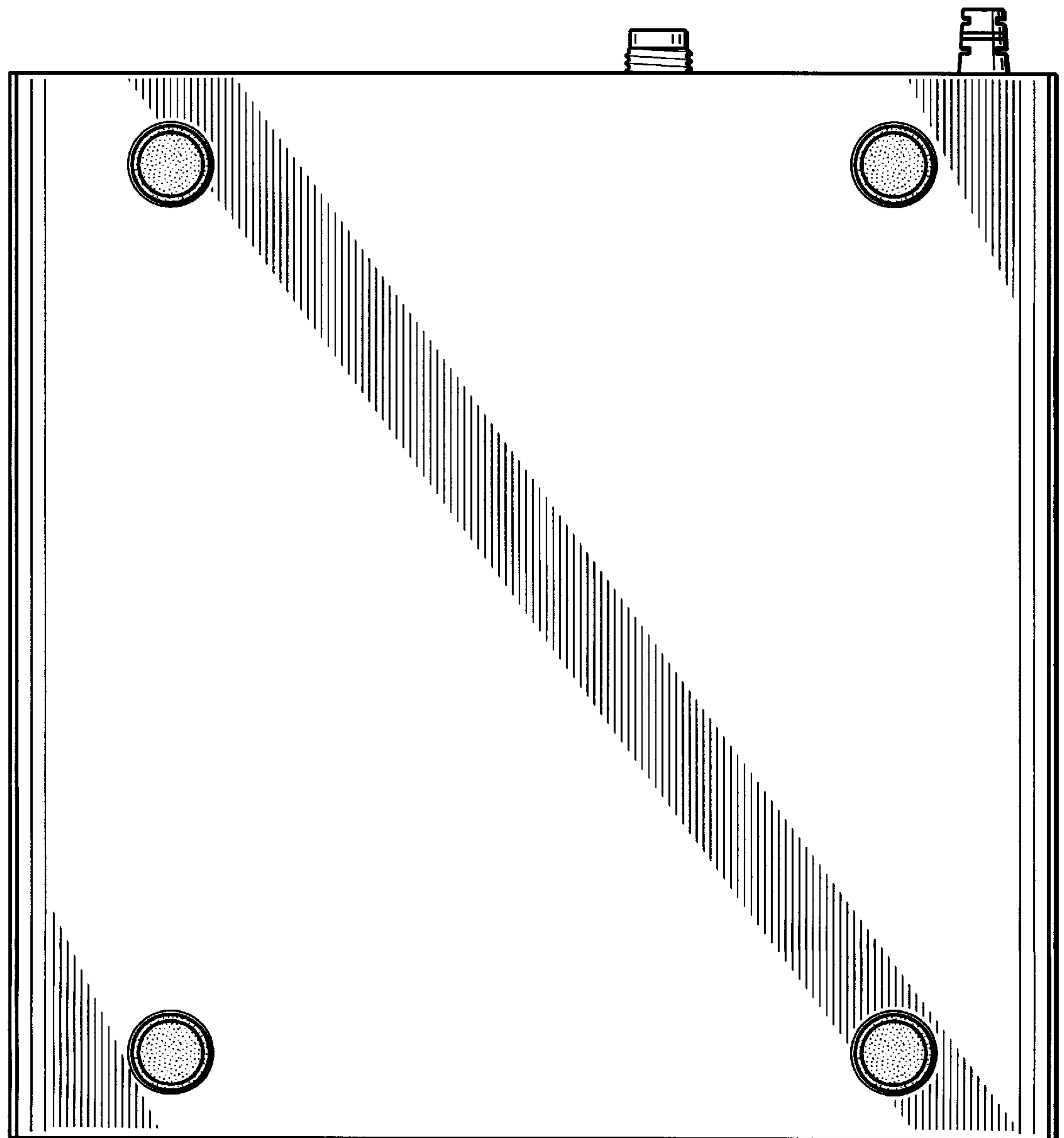
**FIG. 3**



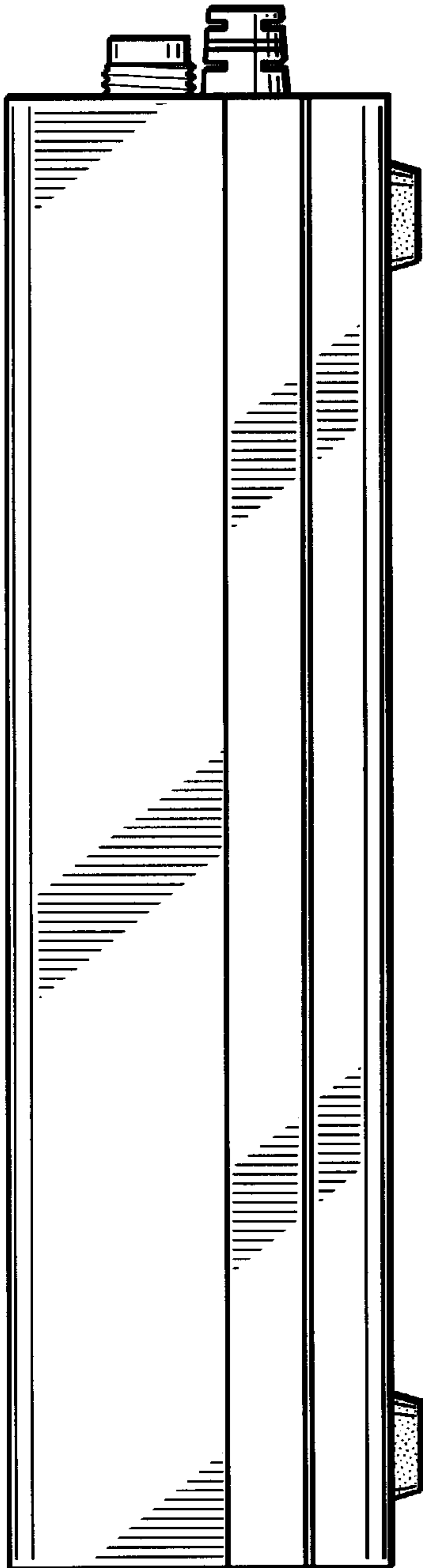
**FIG. 4**



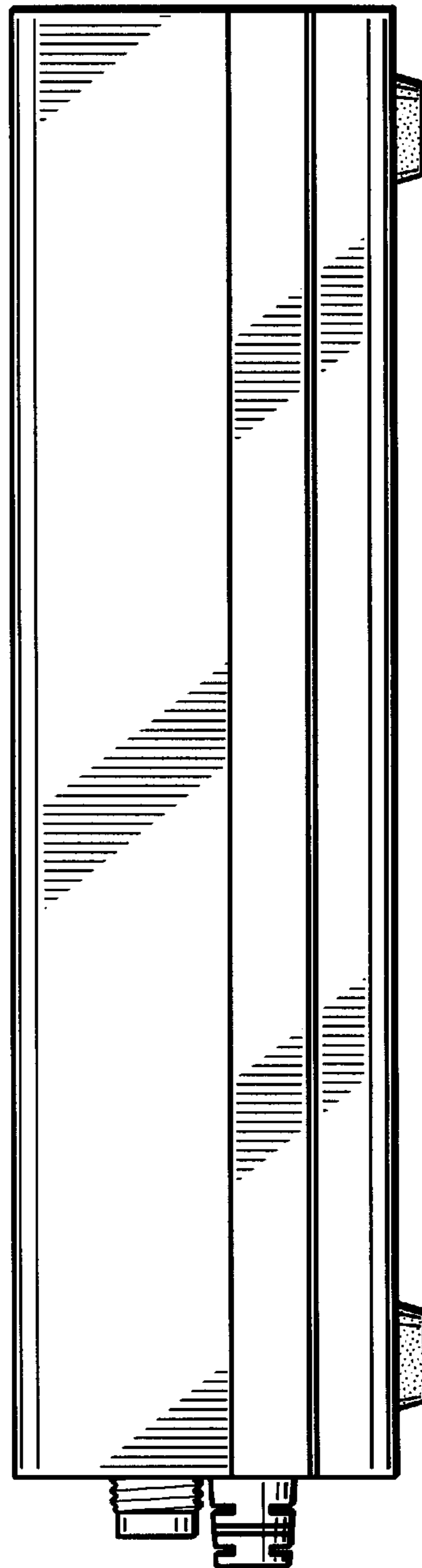
**FIG. 5**



**FIG. 6**



**FIG. 7**



**FIG. 8**